

[54] LEVER ACTUATOR

[75] Inventor: Douglas M. Coleman, Bristol, Wis.

[73] Assignee: Coleman Tool and Manufacturing Corp., Bristol, Wis.

[**] Term: 14 Years

[21] Appl. No.: 423,508

[22] Filed: Sep. 27, 1982

[52] U.S. Cl. D15/138

[58] Field of Search D15/138, 142; 414/525 R

[56] References Cited

U.S. PATENT DOCUMENTS

3,682,336	8/1972	Wieschel et al.	414/525
3,942,661	3/1976	Clucker et al.	414/525
4,005,789	2/1977	Gladwin et al.	414/525
4,042,134	8/1977	Smith	414/525
4,065,008	12/1977	Ratledge	414/525
4,073,393	2/1978	McKenzie et al.	414/525

4,180,365	12/1979	Herpich et al.	414/525 R
4,181,464	1/1980	Tilson	414/525 R
4,260,316	4/1981	Gollnick	414/525 R

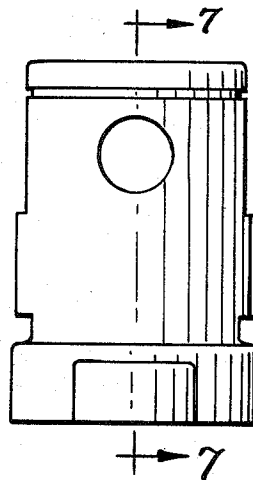
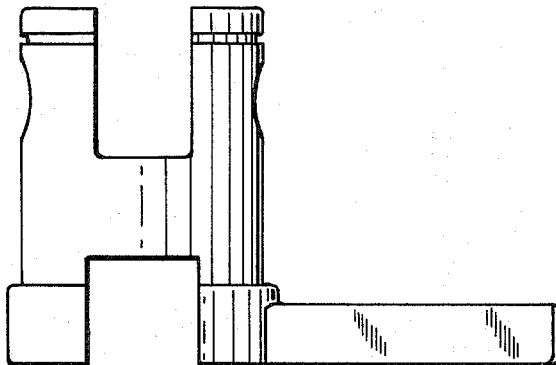
Primary Examiner—B. J. Bullock
Assistant Examiner—Suzanne N. Gitlin
Attorney, Agent, or Firm—Powell L. Sprunger

[57] CLAIM

The ornamental design for a lever actuator, substantially as shown.

DESCRIPTION

FIG. 1 is a front elevational view of a lever actuator showing my new design;
FIG. 2 is a side elevational view taken from the right of FIG. 1;
FIG. 3 is a rear elevational view thereof;
FIG. 4 is a side elevational view taken from the left of FIG. 1;
FIG. 5 is a top plan view thereof;
FIG. 6 is a bottom plan view thereof;
FIG. 7 is a sectional view taken along line 7—7 of FIG. 2.



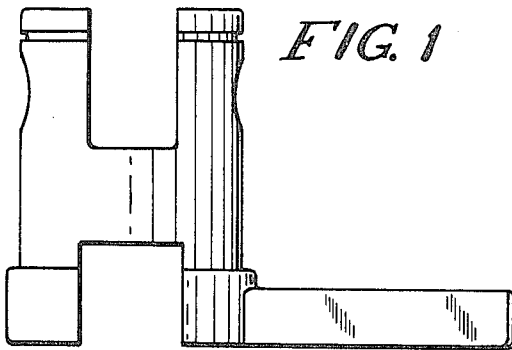


FIG. 1

FIG. 2

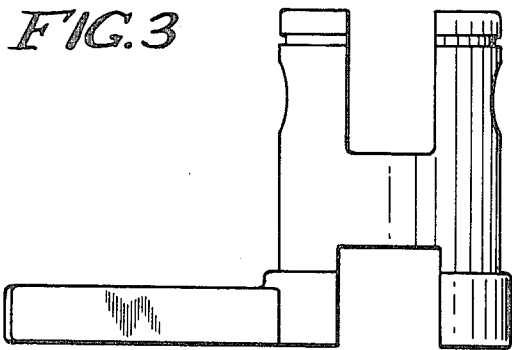
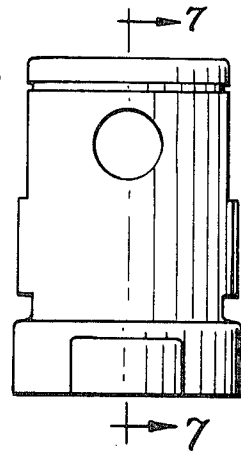


FIG. 3

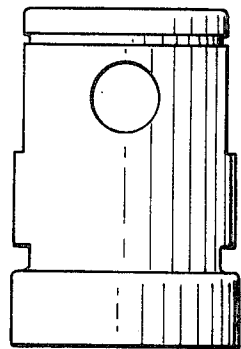


FIG. 4

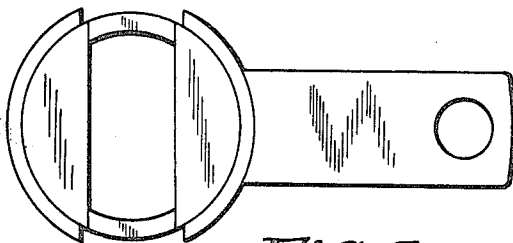


FIG. 5

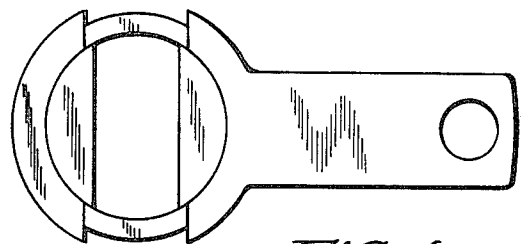


FIG. 6

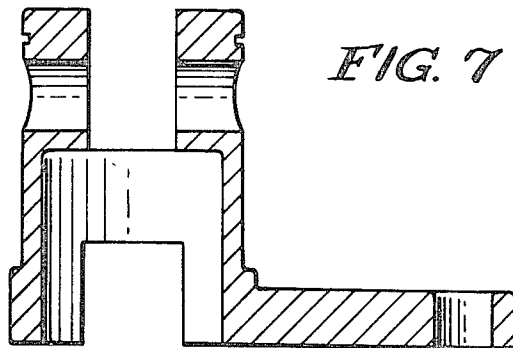


FIG. 7