

(19) World Intellectual Property Organization
International Bureau



(43) International Publication Date
27 April 2006 (27.04.2006)

PCT

(10) International Publication Number
WO 2006/044559 A3

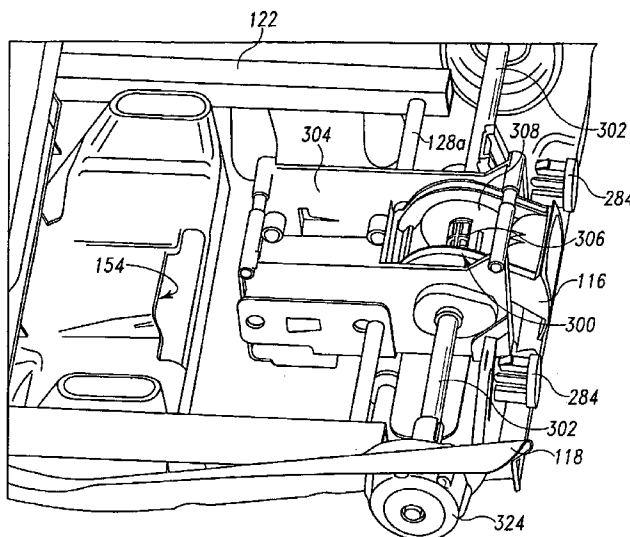
- (51) International Patent Classification:
A47D 1/10 (2006.01) A62B 35/00 (2006.01)
A47D 15/00 (2006.01)
- (21) International Application Number:
PCT/US2005/036856
- (22) International Filing Date: 14 October 2005 (14.10.2005)
- (25) Filing Language: English
- (26) Publication Language: English
- (30) Priority Data:
60/619,182 15 October 2004 (15.10.2004) US
60/718,458 19 September 2005 (19.09.2005) US
- (71) Applicant (for all designated States except US): **INDIANA MILLS & MANUFACTURING INC.** [US/US];
18881 U.S. 31, P.O. Box 408, Westfield, IN 46074 (US).
- (72) Inventors; and
- (75) Inventors/Applicants (for US only): **WOELLERT, Thomas, P.** [US/US]; 125 Springhouse Drive, Union, OH 45322 (US). **DINGMAN, Guy** [US/US]; 2219 Pheasant Run, Westfield, IN 46074 (US). **AYETTE, Mike** [US/US]; 6558 Rushing River, Noblesville, IN 46062 (US).

- (74) Agents: **MORIARTY, John, V.** et al.; WOODARD, EMHARDT, MORIARTY, MCNETT & HENRY LLP, 111 Monument Circle, Suite 3700, Indianapolis, IN 46204 (US).
- (81) Designated States (unless otherwise indicated, for every kind of national protection available): AE, AG, AL, AM, AT, AU, AZ, BA, BB, BG, BR, BW, BY, BZ, CA, CH, CN, CO, CR, CU, CZ, DE, DK, DM, DZ, EC, EE, EG, ES, FI, GB, GD, GE, GH, GM, HR, HU, ID, IL, IN, IS, JP, KE, KG, KM, KP, KR, KZ, LC, LK, LR, LS, LT, LU, LV, LY, MA, MD, MG, MK, MN, MW, MX, MZ, NA, NG, NI, NO, NZ, OM, PG, PH, PL, PT, RO, RU, SC, SD, SE, SG, SK, SL, SM, SY, TJ, TM, TN, TR, TT, TZ, UA, UG, US, UZ, VC, VN, YU, ZA, ZM, ZW.
- (84) Designated States (unless otherwise indicated, for every kind of regional protection available): ARIPO (BW, GH, GM, KE, LS, MW, MZ, NA, SD, SL, SZ, TZ, UG, ZM, ZW), Eurasian (AM, AZ, BY, KG, KZ, MD, RU, TJ, TM), European (AT, BE, BG, CH, CY, CZ, DE, DK, EE, ES, FI, FR, GB, GR, HU, IE, IS, IT, LT, LU, LV, MC, NL, PL, PT, RO, SE, SI, SK, TR), OAPI (BF, BJ, CF, CG, CI, CM, GA, GN, GQ, GW, ML, MR, NE, SN, TD, TG).

Published:
— with international search report

[Continued on next page]

(54) Title: HARNESS ADJUSTMENT MECHANISM FOR ACHILD VEHICLE SEAT



(57) Abstract: A child vehicle seat includes a seat assembly including an upright portion having a first passage and a second passage defined therein. The child vehicle seat further includes a harness system including (i) a first shoulder belt portion extending through the first belt passage, and (ii) a second shoulder belt portion extending through the second belt passage. Also, the child vehicle seat includes a retractor assembly configured to receive belt portions of the harness system in a wound configuration, the retractor assembly including a spring which urges belt portions of the harness system into the retractor assembly. Moreover, the child vehicle seat includes an actuator positionable between (i) a first position in which the actuator prevents payout of belt portions from the retractor assembly, and (ii) a second position in which the actuator allows payout of belt portions from the retractor assembly. The retractor assembly further includes a manual adjustment mechanism, and manual movement of the manual adjustment mechanism causes further belt portions of the harness system to be advanced into the retractor assembly.

WO 2006/044559 A3



(88) Date of publication of the international search report:

10 May 2007

For two-letter codes and other abbreviations, refer to the "Guidance Notes on Codes and Abbreviations" appearing at the beginning of each regular issue of the PCT Gazette.

INTERNATIONAL SEARCH REPORT

International application No.

PCT/US 0/536856

A. CLASSIFICATION OF SUBJECT MATTER

IPC: **A47D 1/10**(2007.01);**A47D 15/00**(2007.01);**A62B 35/00**(2007.01)

USPC: 297/250.1,256.1,256.13,256.16,476,479

According to International Patent Classification (IPC) or to both national classification and IPC

B. FIELDS SEARCHED

Minimum documentation searched (classification system followed by classification symbols)

U.S. : 297/250.1, 256.1, 256.13, 256.16, 476, 479

Documentation searched other than minimum documentation to the extent that such documents are included in the fields searched
NONE

Electronic data base consulted during the international search (name of data base and, where practicable, search terms used)
EAST

C. DOCUMENTS CONSIDERED TO BE RELEVANT

Category *	Citation of document, with indication, where appropriate, of the relevant passages	Relevant to claim No.
X	US 4,679,852 A (ANTHONY ET AL) 14 July 1987 (14.07.1987), see entire document.	1-20
X	US 4,720,148 A (ANTHONY ET AL) 19 January 1988 (19.01.1988), see entire document.	1-20
X	US 2004/0251722 A1 (BOYLE) 16 December 2004 (16.12.2004), see entire document.	1-20
X	US 4,886,315 A (JOHNSON) 12 December 1989 (12.12.1989), see entire document.	1-20
X	US 5,380,066 A (WISEMAN ET AL) 10 January 1995 (10.01.1995), see entire document.	1-20
X	US 5,462,333 A (BEAUVAIS) 31 October 1995 (31.10.1995), see entire document.	1-20
X	US 5,511,856 A (MERRICK ET AL) 30 April 1996 (30.04.1996), see entire document.	1-20

Further documents are listed in the continuation of Box C.

See patent family annex.

* Special categories of cited documents:		
"A" document defining the general state of the art which is not considered to be of particular relevance	"T"	later document published after the international filing date or priority date and not in conflict with the application but cited to understand the principle or theory underlying the invention
"E" earlier application or patent published on or after the international filing date	"X"	document of particular relevance; the claimed invention cannot be considered novel or cannot be considered to involve an inventive step when the document is taken alone
"L" document which may throw doubts on priority claim(s) or which is cited to establish the publication date of another citation or other special reason (as specified)	"Y"	document of particular relevance; the claimed invention cannot be considered to involve an inventive step when the document is combined with one or more other such documents, such combination being obvious to a person skilled in the art
"O" document referring to an oral disclosure, use, exhibition or other means		
"P" document published prior to the international filing date but later than the priority date claimed	"&"	document member of the same patent family

Date of the actual completion of the international search
30 October 2006 (30.10.2006)

Date of mailing of the international search report
29 NOV 2006

Name and mailing address of the ISA/US
Mail Stop PCT, Attn: ISA/US
Commissioner for Patents
P.O. Box 1450
Alexandria, Virginia 22313-1450
Facsimile No. (571) 273-3201

Authorized officer
Rodney B. White *R. White*
Telephone No. (571) 272-6863

INTERNATIONAL SEARCH REPORT

International application No.
PCT/US 0/536856

C. (Continuation) DOCUMENTS CONSIDERED TO BE RELEVANT

Category *	Citation of document, with indication, where appropriate, of the relevant passages	Relevant to claim No.
X	US 5,681,094 A (BROWN ET AL) 28 October 1997 (28.10.1997), see entire document.	1-20
X	US 5,779,319 A (MERRICK) 14 July 1998 (14.07.1998), see entire document.	1-20