



US00D717345S

(12) **United States Design Patent**  
**Budde**

(10) **Patent No.:** **US D717,345 S**

(45) **Date of Patent:** **\*\* Nov. 11, 2014**

- (54) **AGRICULTURAL MACHINE**
- (71) Applicant: **CLAAS KGaA mbH**, Harsewinkel (DE)
- (72) Inventor: **Paul Budde**, Muenster (DE)
- (73) Assignee: **CLAAS KGaA mbH**, Harsewinkel (DE)
- (\*\*) Term: **14 Years**
- (21) Appl. No.: **29/488,797**
- (22) Filed: **Apr. 23, 2014**

- (30) **Foreign Application Priority Data**  
Oct. 28, 2013 (EP) ..... 002333955-0001
- (51) **LOC (10) Cl.** ..... **15-03**
- (52) **U.S. Cl.**  
USPC ..... **D15/26**
- (58) **Field of Classification Search**  
USPC ..... D15/10-12, 22-26, 28; 56/14.5-14.7,  
56/16.6, 122-125; 296/190, 191; 460/83,  
460/119; 180/89.1, 89.12  
See application file for complete search history.

- (56) **References Cited**  
U.S. PATENT DOCUMENTS  
D221,572 S \* 8/1971 Ashton ..... D15/26  
D231,557 S \* 4/1974 Hennen et al. .... D15/23  
D253,057 S \* 10/1979 Fachini et al. .... D15/26  
4,324,091 A \* 4/1982 Wistuba et al. .... 56/16.6

4,830,288 A *	5/1989	Streicher .....	241/40
D309,738 S *	8/1990	Schober et al. ....	D15/26
6,282,875 B1 *	9/2001	Holtkotte et al. ....	56/228
D544,886 S *	6/2007	Pedracini et al. ....	D15/26
D568,342 S *	5/2008	Kleingraeber .....	D15/26
D599,830 S *	9/2009	Jacobsthal et al. ....	D15/33
D619,627 S *	7/2010	Budde .....	D15/28
D639,826 S *	6/2011	Barrelmeyer .....	D15/26
2003/0037527 A1 *	2/2003	Hettiger et al. ....	56/16.6

\* cited by examiner

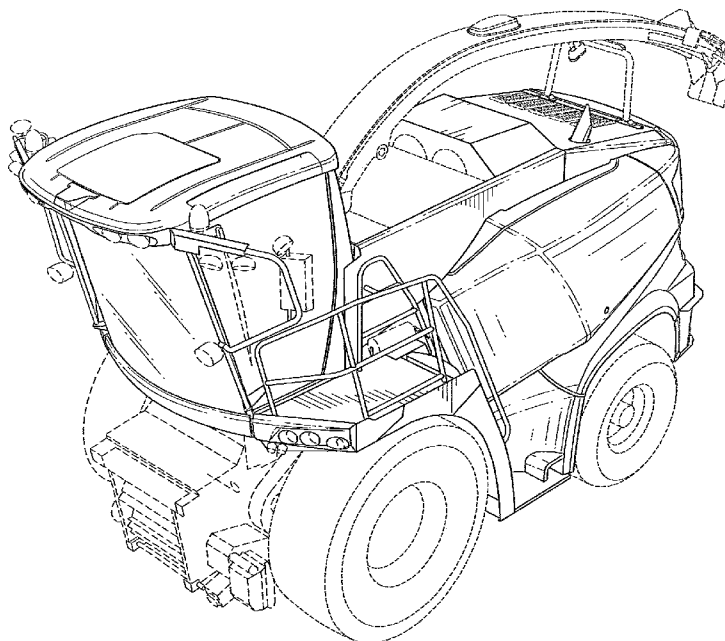
*Primary Examiner* — Mark Goodwin  
(74) *Attorney, Agent, or Firm* — Michael J. Striker

(57) **CLAIM**  
I claim the ornamental design for an agricultural machine, as shown and described.

**DESCRIPTION**

FIG. 1 is an elevated front and side view of an agricultural machine showing my new design;  
FIG. 2 is a rear side elevated perspective view thereof;  
FIG. 3 is a front view thereof;  
FIG. 4 is a rear view thereof;  
FIG. 5 is a side view thereof;  
FIG. 6 is the opposite side view of FIG. 5 thereof; and,  
FIG. 7 is a top view thereof.  
The broken line showing of the tires, lower frame, mirrors, top boom structure, and small surface elements is included for the purpose of illustrating portions of an agricultural machine and forms no part of the claimed design.

**1 Claim, 7 Drawing Sheets**



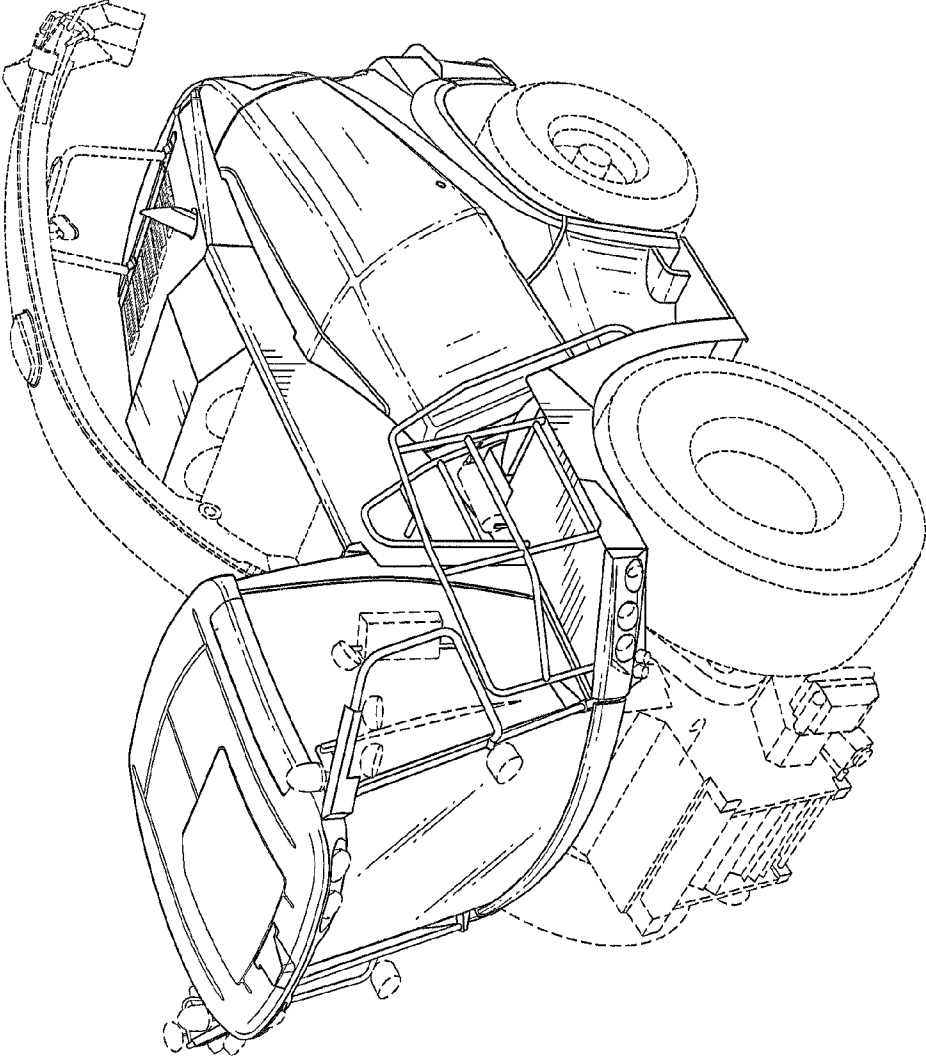


FIG. 1

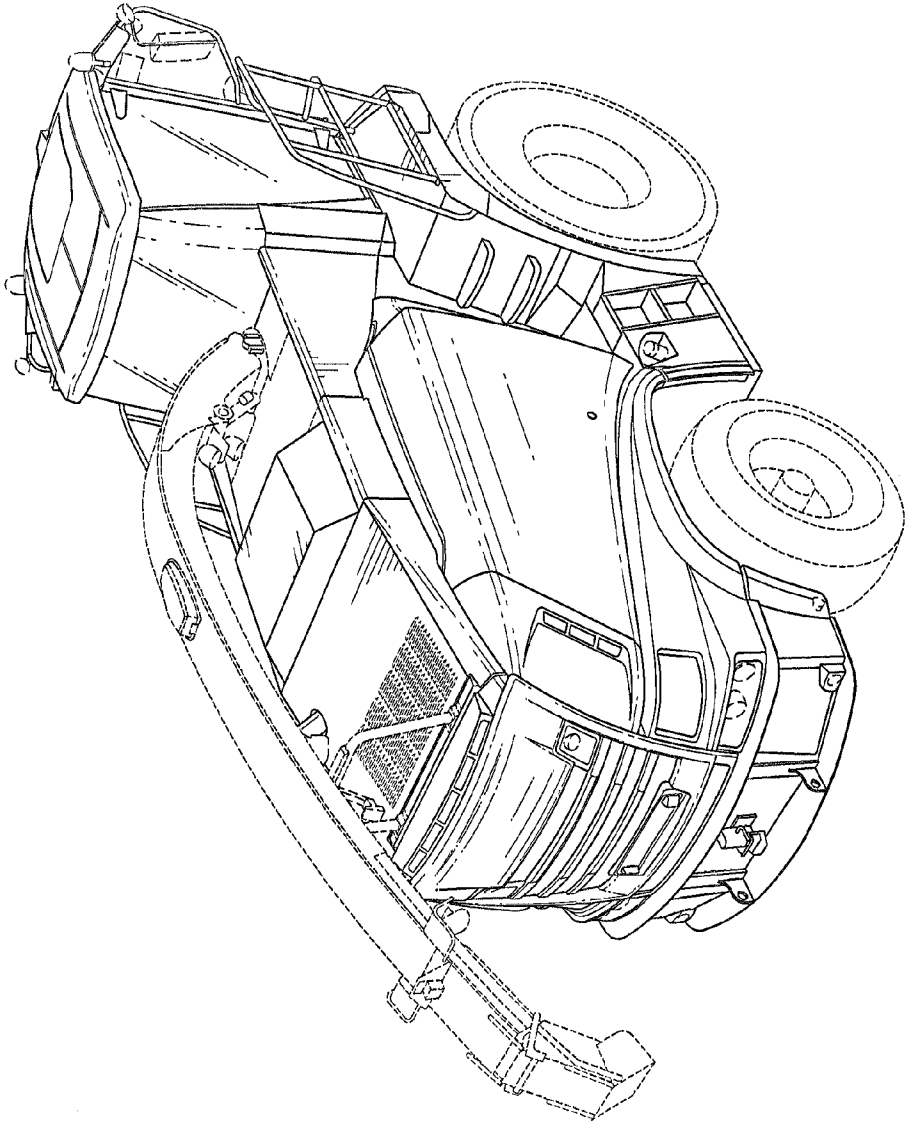


FIG.2

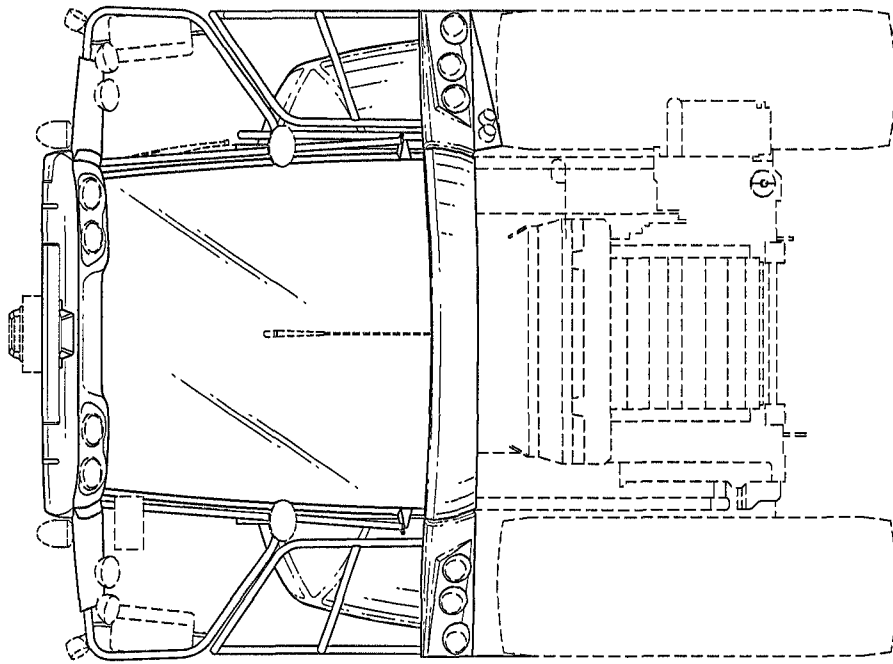


FIG.3

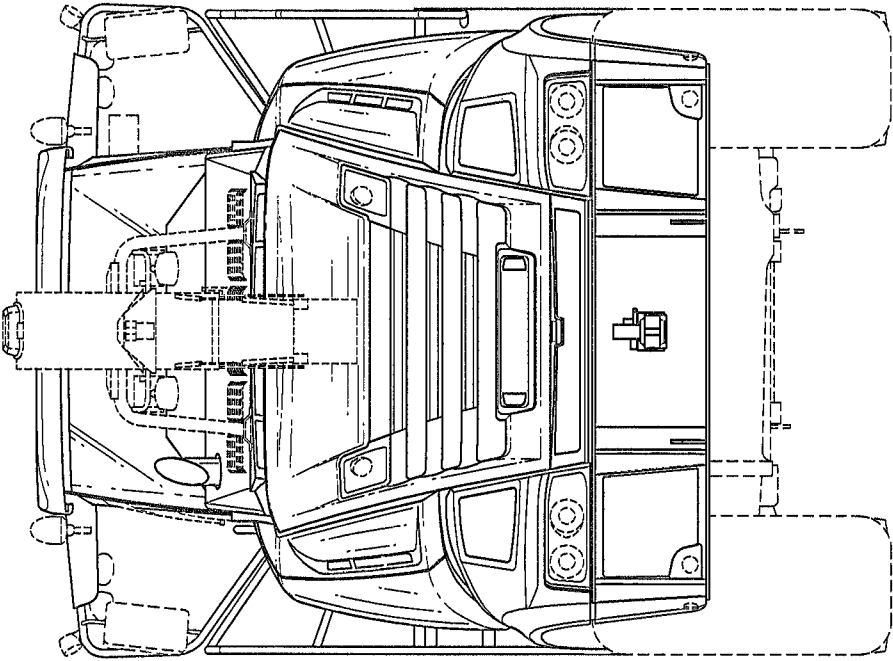


FIG.4

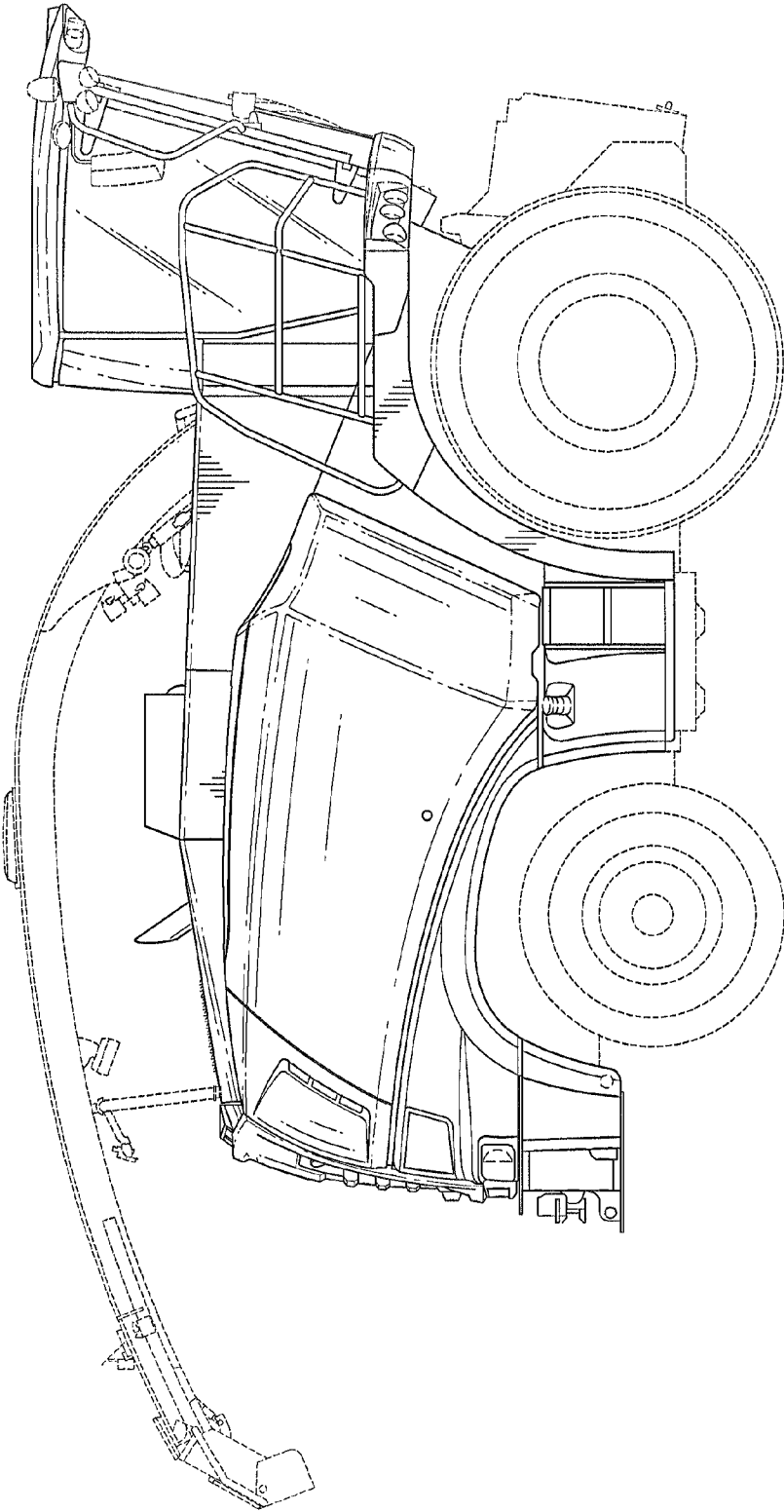


FIG. 5

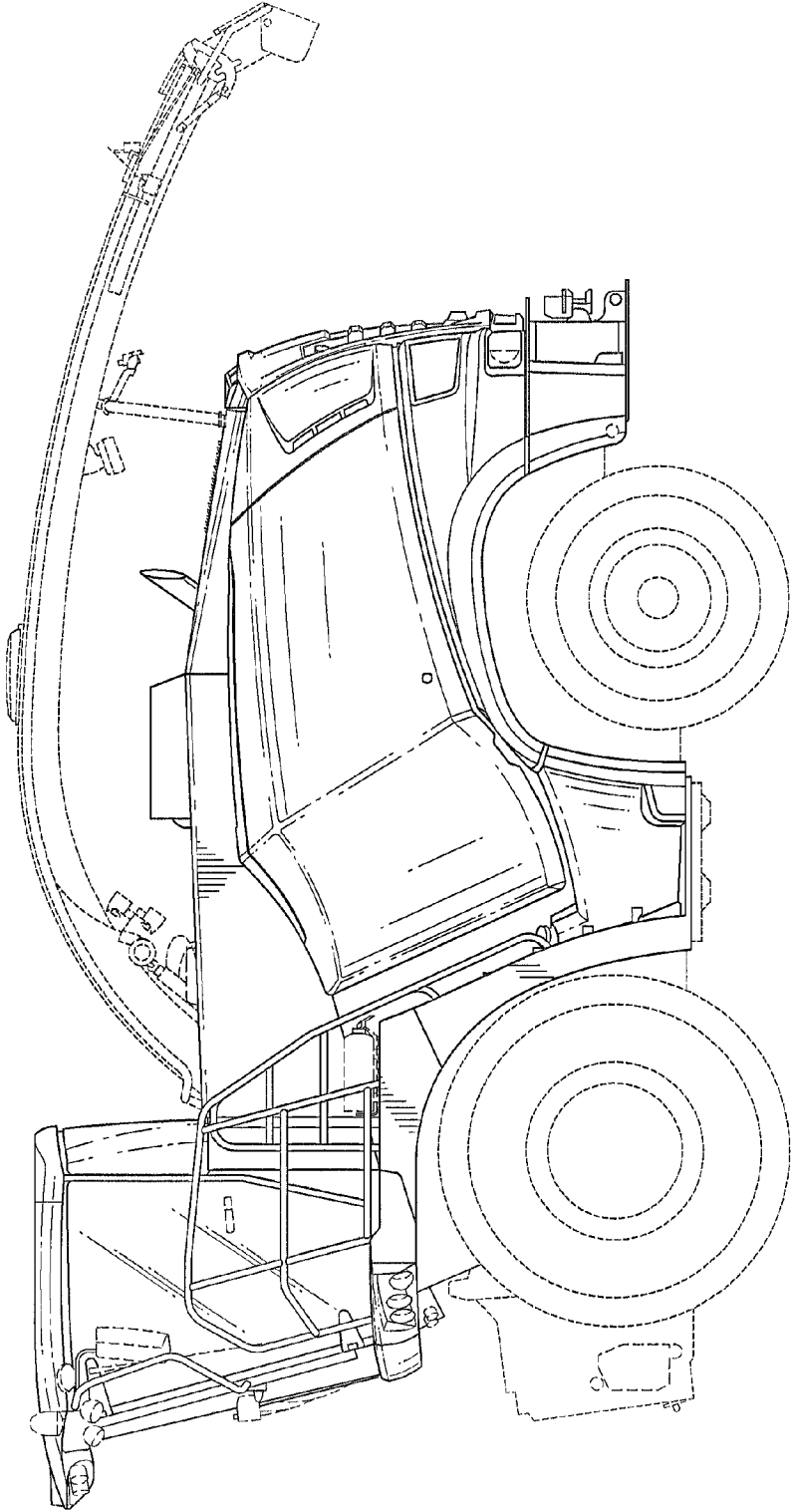


FIG.6

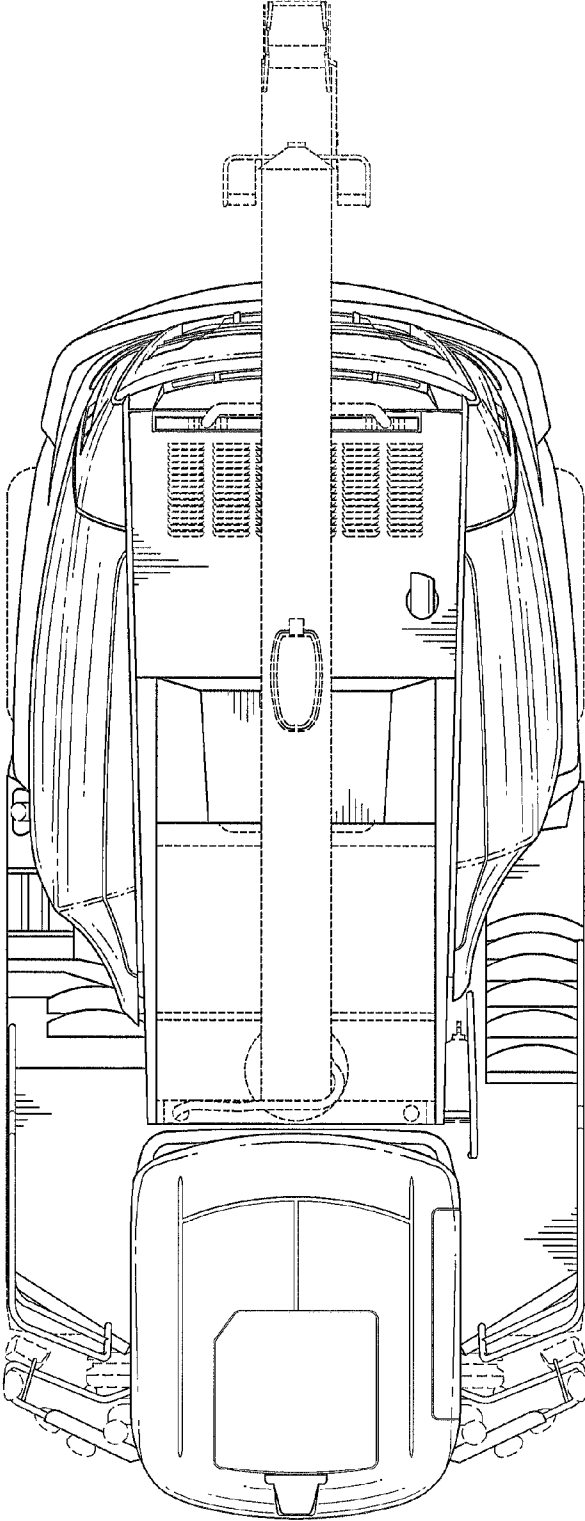


FIG. 7