

(12) **UK Patent Application** (19) **GB** (11) **2461232** (13) **A**

(43) Date of Printing by UK Office **30.12.2009**

(21) Application No: **0919610.6**
(22) Date of Filing: **07.09.2007**
(86) International Application Data:
PCT/NZ2007/000264 En 07.09.2007
(87) International Publication Data:
WO2008/127128 En 23.10.2008

(51) INT CL:
B62B 9/28 (2006.01) **B62B 7/08** (2006.01)
B62B 7/14 (2006.01) **B62B 9/12** (2006.01)
B62B 9/14 (2006.01) **B62B 9/20** (2006.01)

(56) Documents Cited by ISA:
GB 2445339 A **JP 100291480 A**
US 6378892 B1 **US 5911432 A**
US 2993702 A

(58) Field of Search by ISA:
INT CL **B62B**

(71) Applicant(s):
Phil and Teds Most Excellent Buggy Company Limited
(Incorporated in New Zealand)
102-112 Daniell Street, Newtown, WELLINGTON,
New Zealand

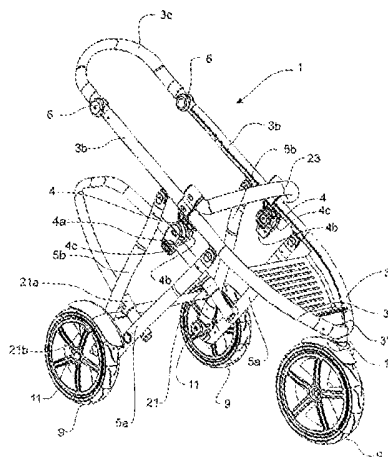
(72) Inventor(s):
Philip Brace
Campbell Gower

(74) Agent and/or Address for Service:
Haseltine Lake LLP
Redcliff Quay, 120 Redcliff Street, BRISTOL,
BS1 6HU, United Kingdom

(54) Abstract Title: **Collapsible two seat perambulator**

(57) A buggy for transporting children has a frame (3a, 3b, 5) and wheels (9) that are rotatably mounted relative to the frame to support the frame above a ground surface. A primary seat (8) is operatively supported by the frame for supporting a first child. A secondary seat (17) is operatively supported by the frame for supporting a second child. The buggy is convertible between an in use configuration for transporting children and a folded storage configuration, whether or not the secondary seat is attached. The secondary seat may be detachable. The secondary seat may be positioned at least partly behind and at least partly below the primary seat.

FIGURE 2b



GB 2461232 A