

CORRECTED VERSION

(19) World Intellectual Property Organization  
International Bureau



(10) International Publication Number  
WO 2017/123625 A8

(43) International Publication Date  
20 July 2017 (20.07.2017)

(51) International Patent Classification:  
B07C 5/36 (2006.01)

Christopher, M.; 475 L'enfant Plaza, #6443, Washington, DC 20260-1135 (US).

(21) International Application Number:  
PCT/US2017/013003

(74) Agent: MALLON, Joseph, J.; Knobbe, Martens, Olson & Bear, LLP, 2040 Main Street, 14th Floor, Irvine, CA 92614 (US).

(22) International Filing Date:  
11 January 2017 (11.01.2017)

(81) Designated States (unless otherwise indicated, for every kind of national protection available): AE, AG, AL, AM, AO, AT, AU, AZ, BA, BB, BG, BH, BN, BR, BW, BY, BZ, CA, CH, CL, CN, CO, CR, CU, CZ, DE, DJ, DK, DM, DO, DZ, EC, EE, EG, ES, FI, GB, GD, GE, GH, GM, GT, HN, HR, HU, ID, IL, IN, IR, IS, JP, KE, KG, KH, KN, KP, KR, KW, KZ, LA, LC, LK, LR, LS, LU, LY, MA, MD, ME, MG, MK, MN, MW, MX, MY, MZ, NA, NG, NI, NO, NZ, OM, PA, PE, PG, PH, PL, PT, QA, RO, RS, RU, RW, SA, SC, SD, SE, SG, SK, SL, SM, ST, SV, SY, TH, TJ, TM, TN, TR, TT, TZ, UA, UG, US, UZ, VC, VN, ZA, ZM, ZW.

(25) Filing Language: English

(26) Publication Language: English

(30) Priority Data:  
62/277,837 12 January 2016 (12.01.2016) US

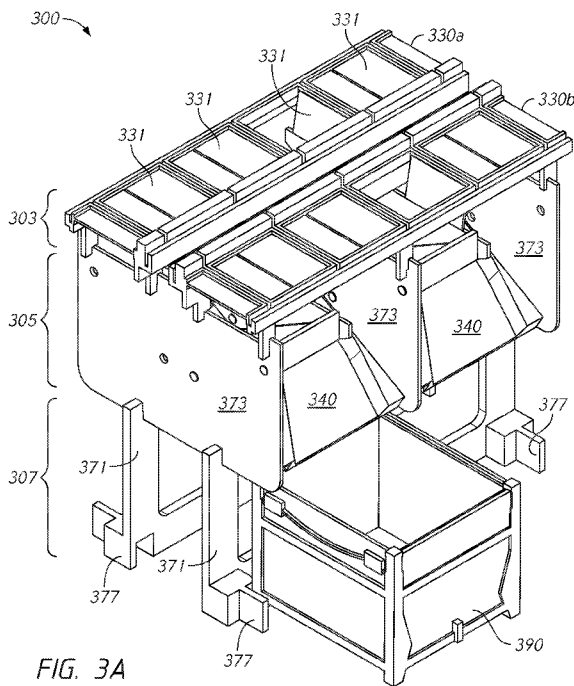
(71) Applicant: UNITED STATES POSTAL SERVICE [US/US]; 475 L'enfant Plaza, #6443, Washington, DC 20260-1135 (US).

(72) Inventors: BOMBAUGH, Scott, R.; 475 L'enfant Plaza, #6443, Washington, DC 20260-1135 (US). LE, Tuan, A.; 475 L'enfant Plaza, #6443, Washington, DC 20260-1135 (US). MCLELLAN, Charles, P.; 475 L'enfant Plaza, #6443, Washington, DC 20260-1135 (US). STRATTON,

(84) Designated States (unless otherwise indicated, for every kind of regional protection available): ARIPO (BW, GH, GM, KE, LR, LS, MW, MZ, NA, RW, SD, SL, ST, SZ, TZ, UG, ZM, ZW), Eurasian (AM, AZ, BY, KG, KZ, RU, TJ, TM), European (AL, AT, BE, BG, CH, CY, CZ, DE, DK, EE, ES, FI, FR, GB, GR, HR, HU, IE, IS, IT, LT, LU, LV,

(54) Title: SYSTEMS AND METHODS FOR HIGH THROUGHPUT SORTING

(57) Abstract: A high throughput sorting device is disclosed. The device includes a first sorter and a second sorter, each of the first and second sorters having a plurality of cells each configured to support, carry, and deposit an item. The device can also include at least one shared chute extending below a portion of the first sorter and a portion of the second sorter. The at least one chute can be configured to receive an item deposited by each of the plurality of cells and transport the item to an endpoint. The device can also include a base configured to support the at least one shared chute and the first and second sorters



WO 2017/123625 A8

MC, MK, MT, NL, NO, PL, PT, RO, RS, SE, SI, SK, SM,  
TR), OAPI (BF, BJ, CF, CG, CI, CM, GA, GN, GQ, GW,  
KM, ML, MR, NE, SN, TD, TG).

**Declarations under Rule 4.17:**

- *as to applicant's entitlement to apply for and be granted a patent (Rule 4.17(ii))*
- *as to the applicant's entitlement to claim the priority of the earlier application (Rule 4.17(iii))*

**Published:**

- *with international search report (Art. 21(3))*

**(48) Date of publication of this corrected version:**

26 July 2018 (26.07.2018)

**(15) Information about Correction:**

see Notice of 26 July 2018 (26.07.2018)