



US0D1026264S

(12) **United States Design Patent**  
**Keskin**

(10) **Patent No.:** **US D1,026,264 S**

(45) **Date of Patent:** **\*\* May 7, 2024**

(54) **VEHICLE HEADLIGHT**  
(71) Applicant: **Polestar Performance AB**, Gothenburg (SE)

D814,353 S 4/2018 Kim et al.  
D830,246 S 10/2018 Yoshimine et al.  
D830,906 S 10/2018 Yoshimine et al.

(Continued)

(72) Inventor: **Berk Keskin**, Gothenburg (SE)

FOREIGN PATENT DOCUMENTS

(73) Assignee: **Polestar Performance AB**, Gothenburg (SE)

KR 3011033140000 4/2021  
TW D180383 S 12/2016

(Continued)

(\*\*) Term: **15 Years**

OTHER PUBLICATIONS

(21) Appl. No.: **29/807,610**

“Stehlen 642167819165 Full LED Sequential Quad Projector Headlights”, available in Amazon.com, first available online Feb. 25, 2020, site visited Mar. 30, 2023, Internet URL: [https://www.amazon.com/dp/B0855CYFLX?ref=cm\\_sw\\_r\\_cp\\_ud\\_dp\\_SH4KZH5ZRFQGP2AV3HE9](https://www.amazon.com/dp/B0855CYFLX?ref=cm_sw_r_cp_ud_dp_SH4KZH5ZRFQGP2AV3HE9) (Year: 2020).\*

(Continued)

(22) Filed: **Sep. 13, 2021**

(51) **LOC (14) Cl.** ..... **26-06**

(52) **U.S. Cl.** ..... **D26/28**  
USPC ..... **D26/28**

(58) **Field of Classification Search**  
USPC ..... D26/28, 29, 30, 31, 32, 33, 34, 35, 36, D26/44, 139  
CPC ..... F21S 41/00; F21S 41/43; F21S 41/141; F21S 43/00; F21S 43/15; F21V 21/04; F21W 2103/35; F21W 2102/17; F21W 2102/30; F21W 2103/00; F21W 2103/55; F21W 2104/00; F21W 2107/13; F21W 2107/17

*Primary Examiner* — Angela J Lee  
*Assistant Examiner* — Anthony Vincent Rotolo  
(74) *Attorney, Agent, or Firm* — Wolf, Greenfield & Sacks, P.C.

(57) **CLAIM**

I claim the ornamental design for a vehicle headlight, as shown and described.

**DESCRIPTION**

See application file for complete search history.

FIG. 1 is a right front perspective view of a vehicle headlight showing the claimed design;  
FIG. 2 is a left front perspective view thereof;  
FIG. 3 is a front view thereof;  
FIG. 4 is a rear view thereof;  
FIG. 5 is a right side view thereof;  
FIG. 6 is a left side view thereof;  
FIG. 7 is a top view thereof; and  
FIG. 8 is a bottom view thereof.

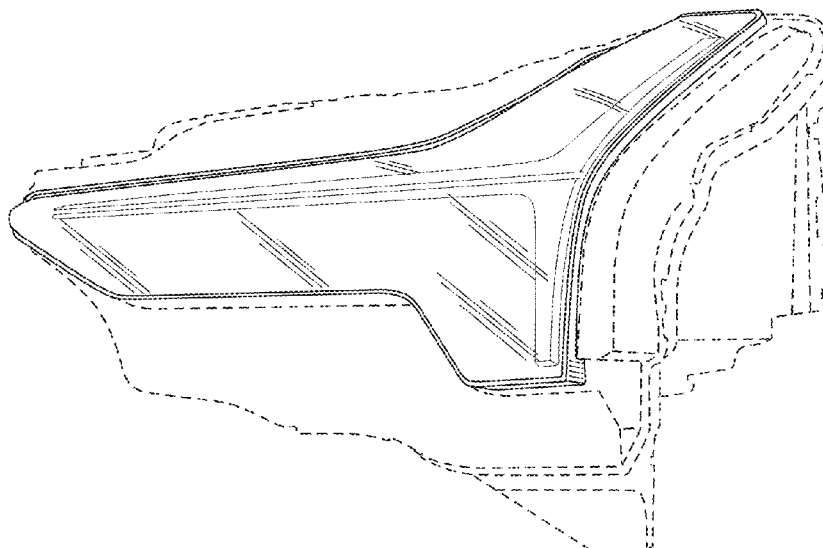
The broken lines in the drawings illustrate portions of the vehicle headlight that form no part of the claimed design.

**1 Claim, 8 Drawing Sheets**

(56) **References Cited**

U.S. PATENT DOCUMENTS

D642,494 S 8/2011 Loeb  
D699,156 S 2/2014 Perini  
D736,439 S 8/2015 Kamiura et al.  
D771,288 S \* 11/2016 Ingenlath ..... D26/28  
D775,009 S 12/2016 Baum  
D796,997 S 9/2017 Varga  
D802,479 S 11/2017 Sakaue et al.  
D804,357 S 12/2017 Jeon  
D804,369 S 12/2017 Akita et al.  
D812,265 S \* 3/2018 Keskin ..... D26/28



(56)

References Cited

U.S. PATENT DOCUMENTS

D835,000 S 12/2018 Tomasson et al.  
 D843,617 S \* 3/2019 Smith ..... D26/28  
 D851,541 S \* 6/2019 Pinazzo ..... D12/91  
 D857,952 S \* 8/2019 Smith ..... D26/28  
 D864,025 S 10/2019 Tomasson et al.  
 D871,262 S \* 12/2019 Mayer ..... D12/92  
 D872,650 S 1/2020 Tomasson et al.  
 D876,686 S \* 2/2020 Lin ..... D26/28  
 D881,755 S 4/2020 Tomasson et al.  
 D887,307 S \* 6/2020 Blanski ..... D12/92  
 D887,596 S \* 6/2020 Pinazzo ..... D26/28  
 D894,047 S 8/2020 Tomasson et al.  
 D906,440 S 12/2020 Sterner  
 D914,930 S 3/2021 Keskin  
 D926,081 S 7/2021 Zvenigorodskyy et al.  
 D929,904 S 9/2021 Noguchi et al.  
 D931,144 S 9/2021 Sterner  
 D957,989 S \* 7/2022 Kim ..... D12/86  
 D964,609 S \* 9/2022 Asano ..... D26/28  
 D967,731 S 10/2022 Akojima  
 D967,991 S \* 10/2022 Caussimon ..... D26/28  
 D969,023 S 11/2022 Sterner et al.  
 D969,364 S \* 11/2022 Caussimon ..... D26/28  
 D973,241 S \* 12/2022 Caussimon ..... D26/28  
 D973,923 S \* 12/2022 Caussimon ..... D26/28  
 D973,924 S \* 12/2022 Hayden ..... D26/28

D979,107 S \* 2/2023 Hammerbeck ..... D26/28  
 D992,168 S \* 7/2023 Keskin ..... D26/28  
 D1,006,269 S \* 11/2023 Offen ..... D26/28

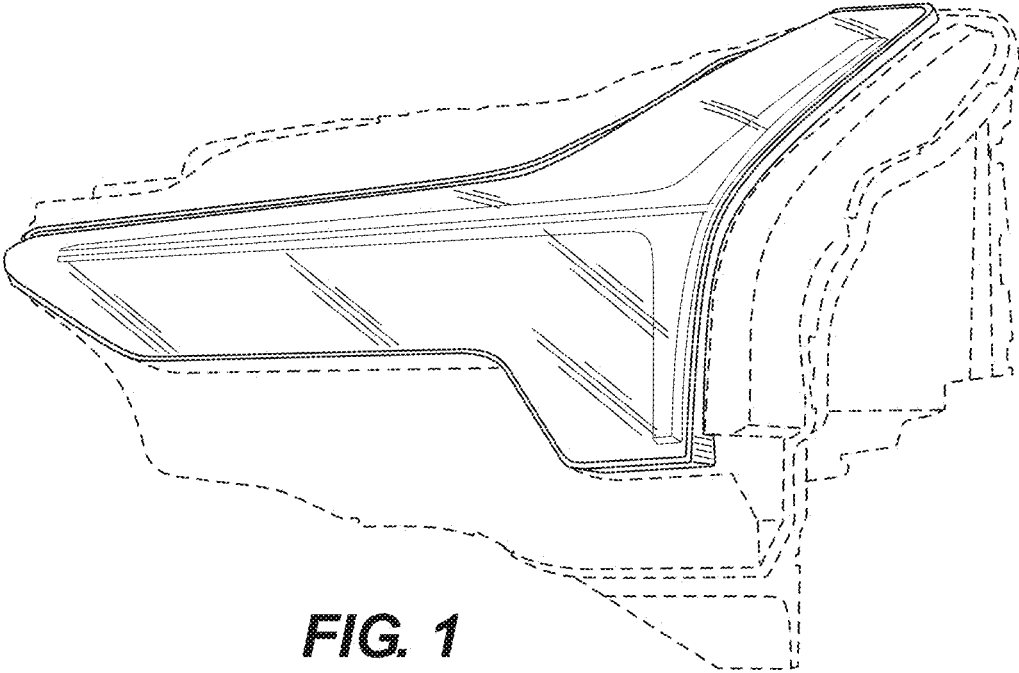
FOREIGN PATENT DOCUMENTS

TW D200509 S 10/2019  
 TW D211262 S 5/2021  
 TW D212981 S 8/2021  
 TW 224166-0001 \* 3/2023  
 TW 224167-0001 \* 3/2023

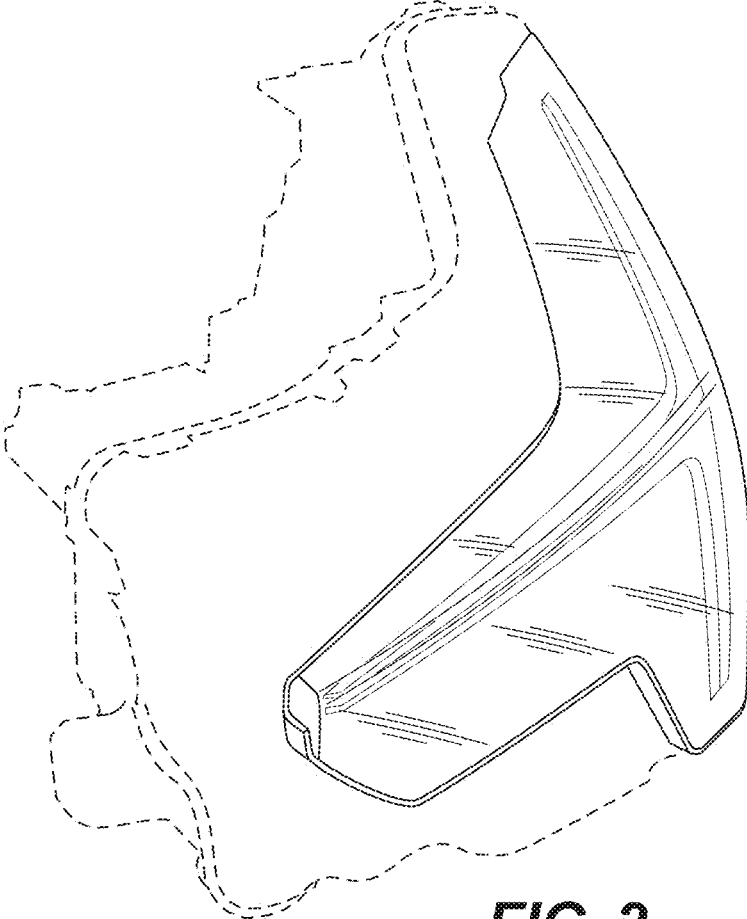
OTHER PUBLICATIONS

“AlphaRex Pro-Series Black Compatible with 07-13 Chevrolet Silverado”, available in Amazon.com, first available online Jan. 1, 2017, site visited Mar. 30, 2023, Internet URL: <https://www.amazon.com/Silverado-Headlights-Switchback-Sequential-Activation/dp/B07T99R5FX?th=1> (Year: 2017).  
 Application and File history for U.S. Appl. No. 29/807,621, filed Sep. 13, 2021. Inventors: Lee et al.  
 Application and File history for U.S. Appl. No. 29/807,609, filed Sep. 13, 2021. Inventors: Keskin.  
 Application and File history for U.S. Appl. No. 29/807,611, filed Sep. 13, 2021. Inventors: Keskin.

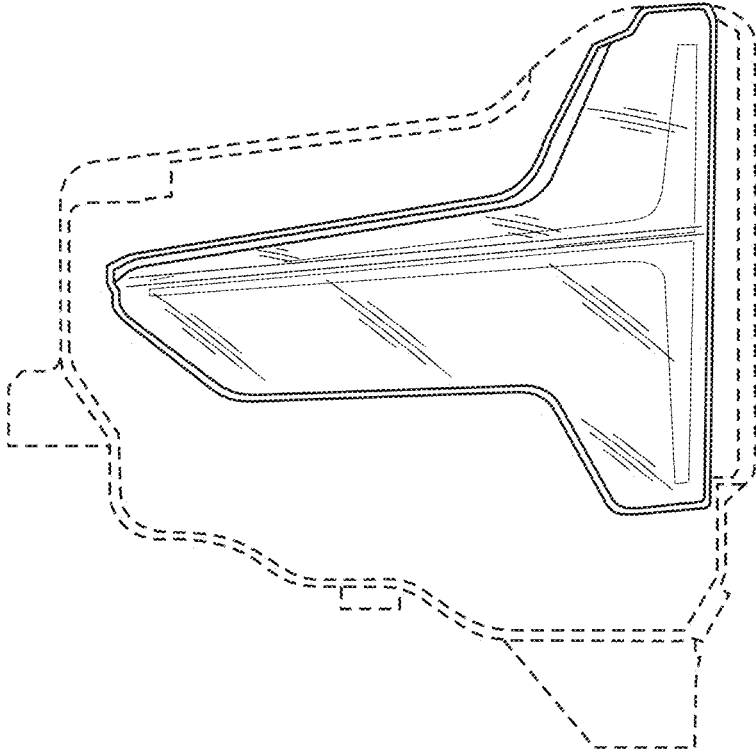
\* cited by examiner



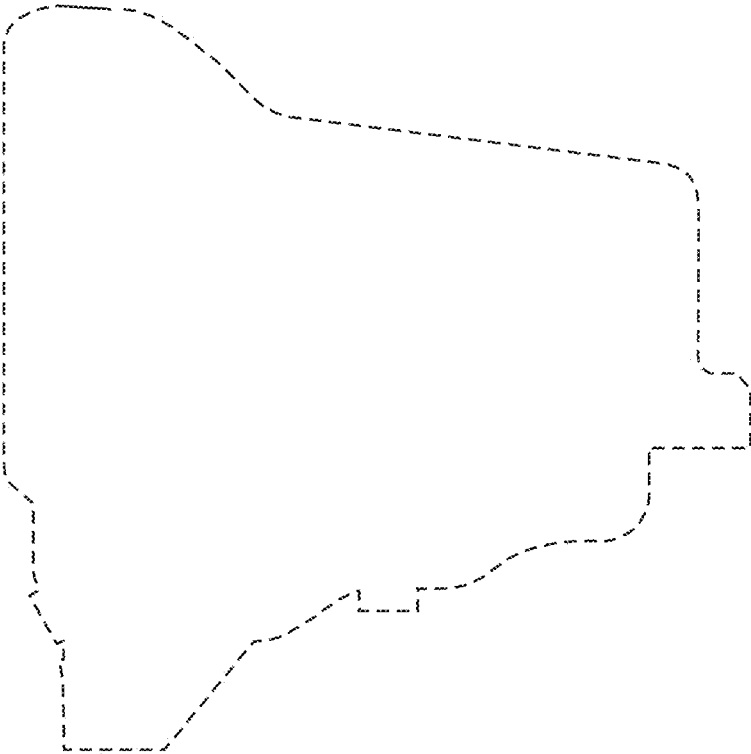
**FIG. 1**



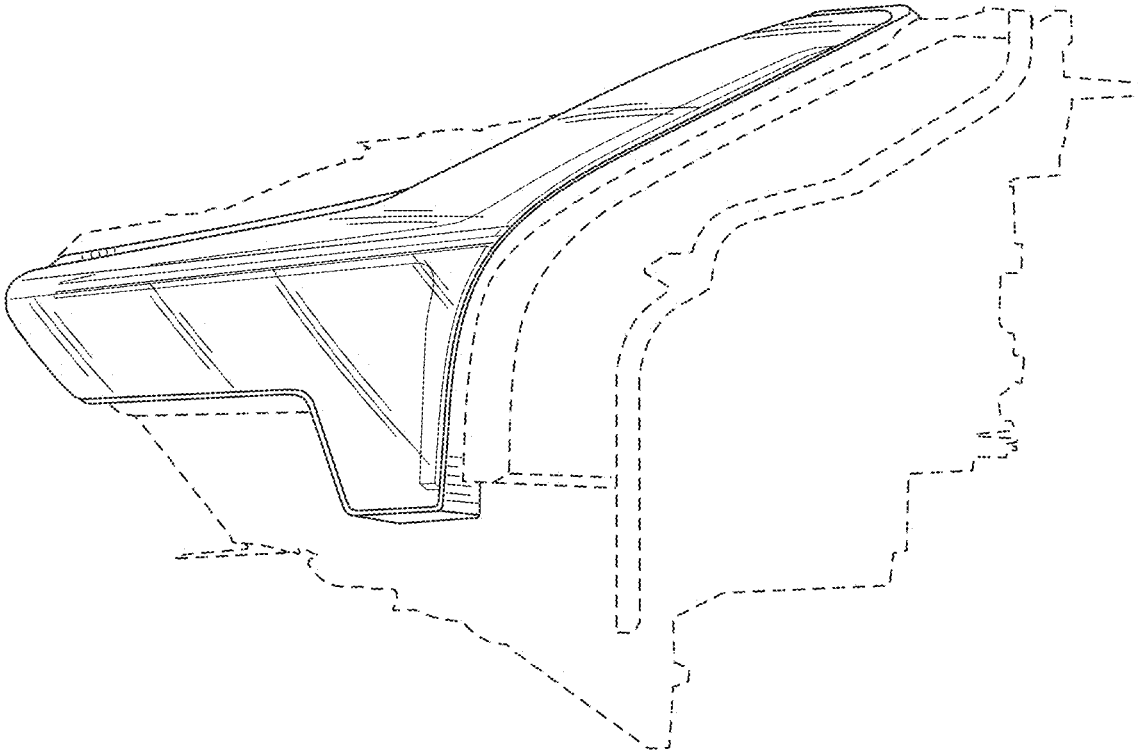
**FIG. 2**



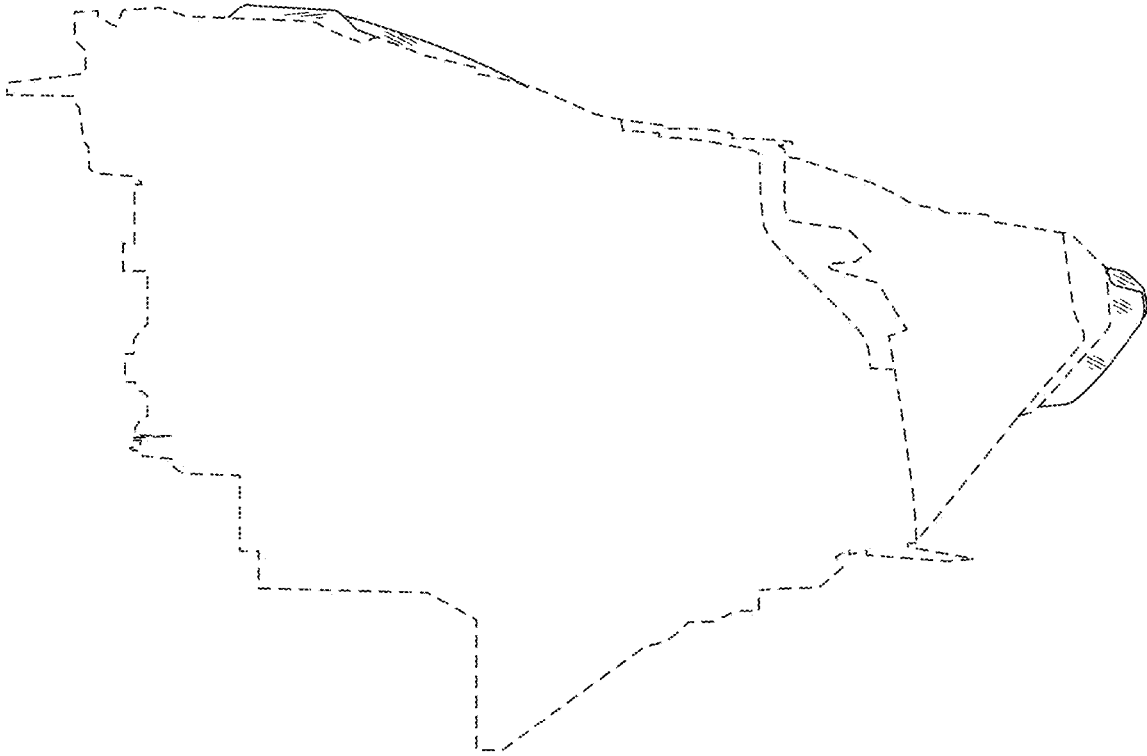
**FIG. 3**



**FIG. 4**

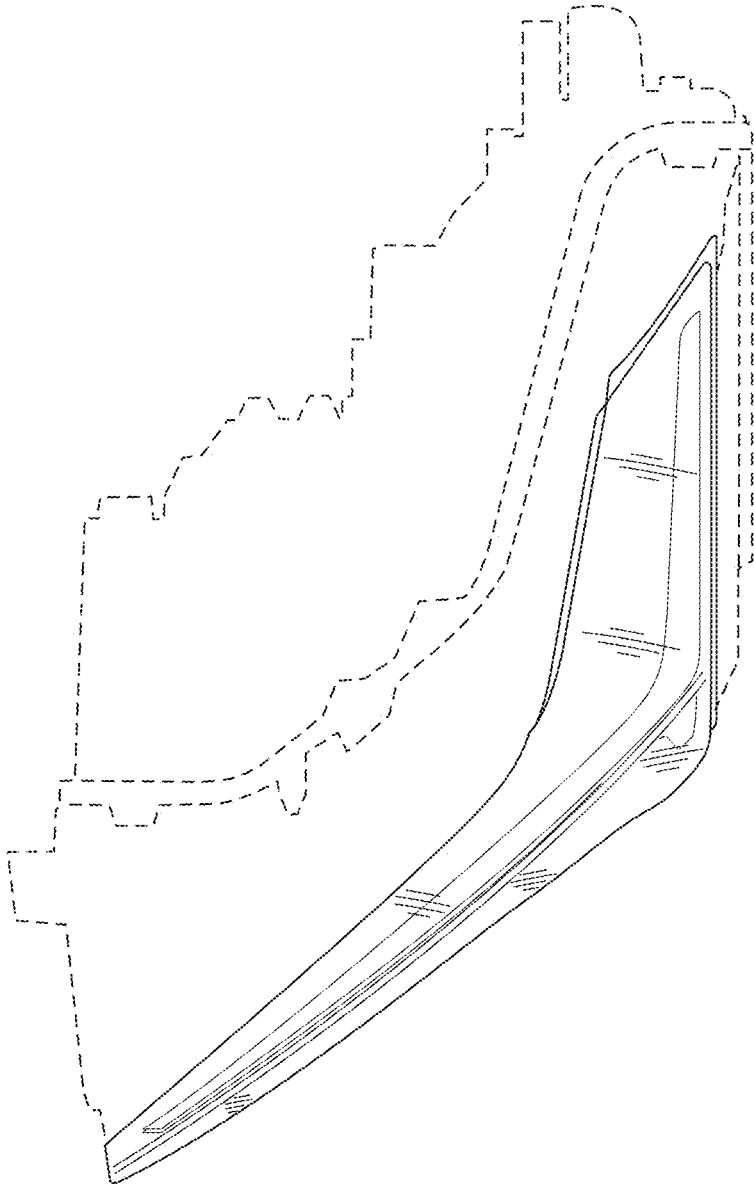


**FIG. 5**

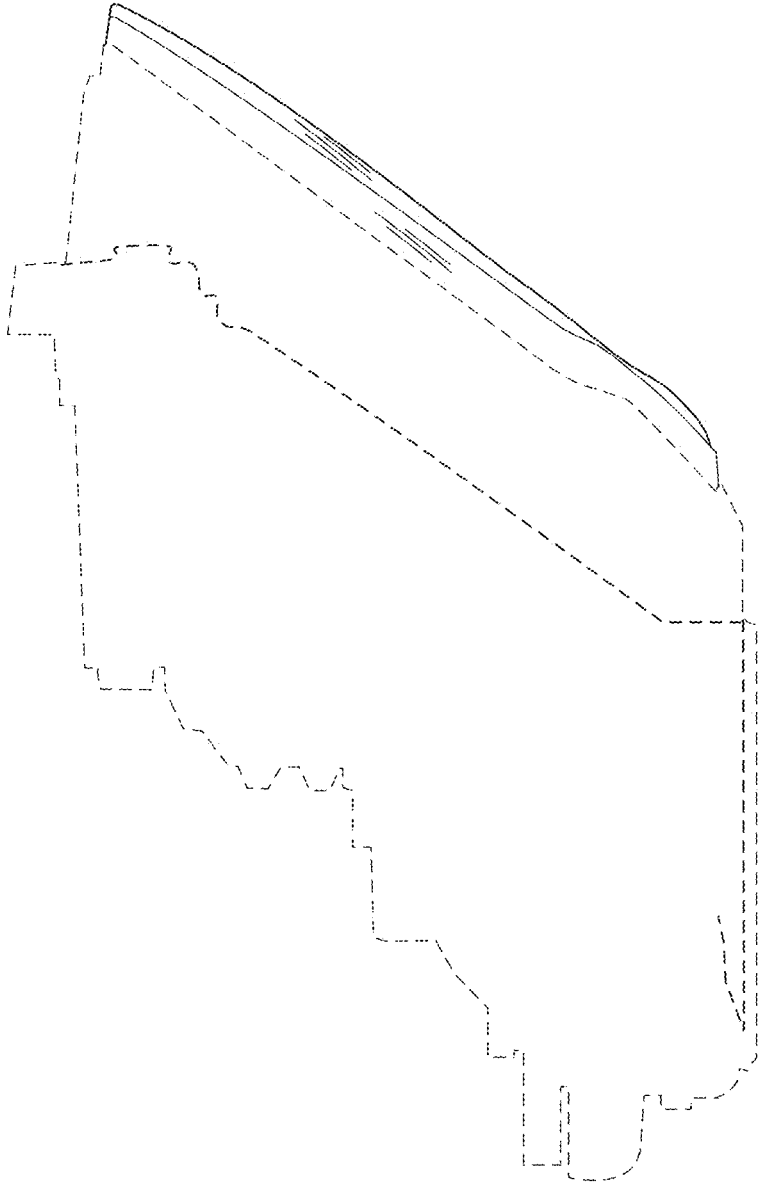


**FIG. 6**





**FIG. 7**



**FIG. 8**