



US00D777490S

(12) **United States Design Patent**  
**Stauss**

(10) **Patent No.:** **US D777,490 S**  
(45) **Date of Patent:** **\*\* Jan. 31, 2017**

- (54) **SHELF ASSEMBLY**
- (71) Applicant: **Naber Holding GmbH & Co. KG**,  
Nordhorn (DE)
- (72) Inventor: **Kilian Stauss**, München (DE)
- (73) Assignee: **Naber Holding GmbH & Co. KG**  
(DE)
- (\*\*) Term: **15 Years**
- (21) Appl. No.: **29/533,192**
- (22) Filed: **Jul. 15, 2015**
- (51) **LOC (10) Cl.** ..... **06-06**
- (52) **U.S. Cl.**  
USPC ..... **D6/705**
- (58) **Field of Classification Search**  
USPC ..... D6/675, 675.1, 702, 705, 706; 211/31.1,  
211/85.26, 85.31, 85.4, 33, 134, 186-191,  
211/194, 181.1  
CPC ..... A47F 5/0018; A47F 5/0043; A47F 5/0081  
See application file for complete search history.

D303,190 S *	9/1989	Suttles .....	D6/699.5
D313,134 S *	12/1990	Pollack .....	D6/675.1
D318,584 S *	7/1991	Rouso .....	D34/21
D479,932 S *	9/2003	Clucas .....	D6/560
D497,063 S *	10/2004	Dardashti .....	D6/675.1
D517,351 S *	3/2006	Frey .....	D6/675.1
D647,329 S *	10/2011	Ward .....	D6/675.3
D651,651 S *	1/2012	Beukema .....	D13/139.1
D694,557 S *	12/2013	Rodgers .....	D6/675
D730,071 S *	5/2015	Sorel .....	D6/349
D730,080 S *	5/2015	Henn .....	D6/574
D753,419 S *	4/2016	Heirakuji .....	D6/675

\* cited by examiner

*Primary Examiner* — Kelley Donnelly  
(74) *Attorney, Agent, or Firm* — Polsinelli PC

(57) **CLAIM**

The ornamental design for a shelf assembly, as shown and described.

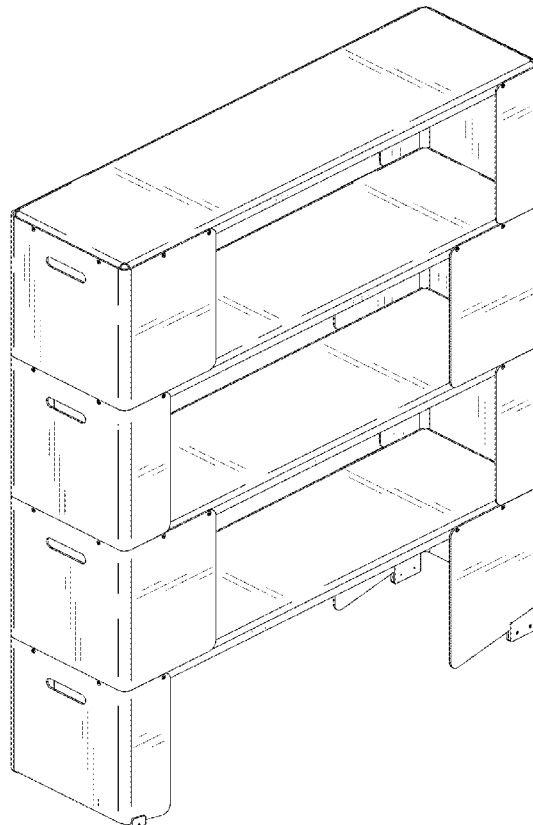
**DESCRIPTION**

FIG. 1 is a perspective view of the shelf assembly;  
FIG. 2 is a front view of the shelf assembly;  
FIG. 3 is a side view of the shelf assembly; and,  
FIG. 4 is a top view of the shelf assembly.

**1 Claim, 4 Drawing Sheets**

(56) **References Cited**  
U.S. PATENT DOCUMENTS

D213,886 S *	4/1969	Jensen .....	D6/355
D258,787 S *	4/1981	Verdesca .....	D6/652



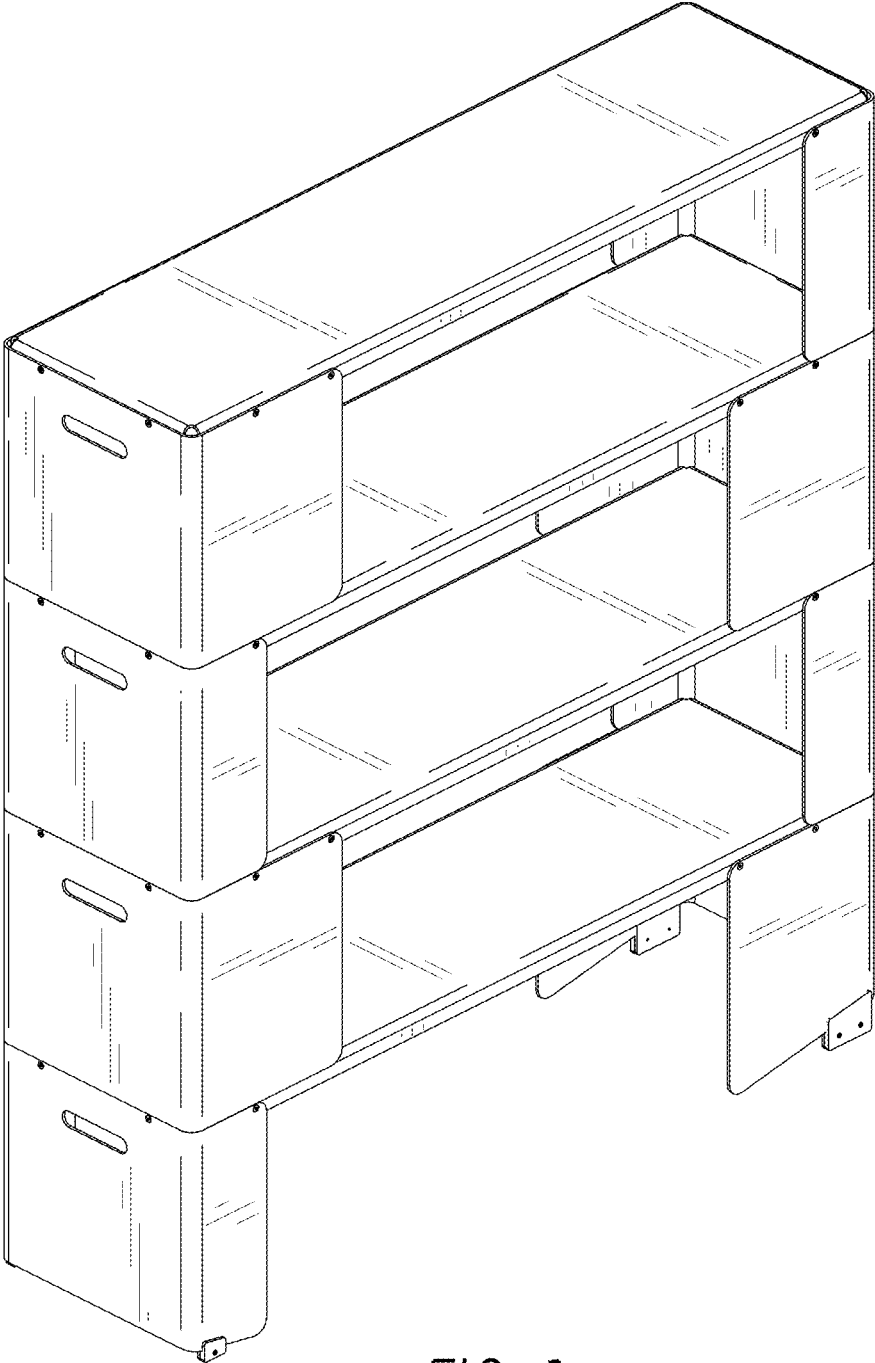


FIG. 1

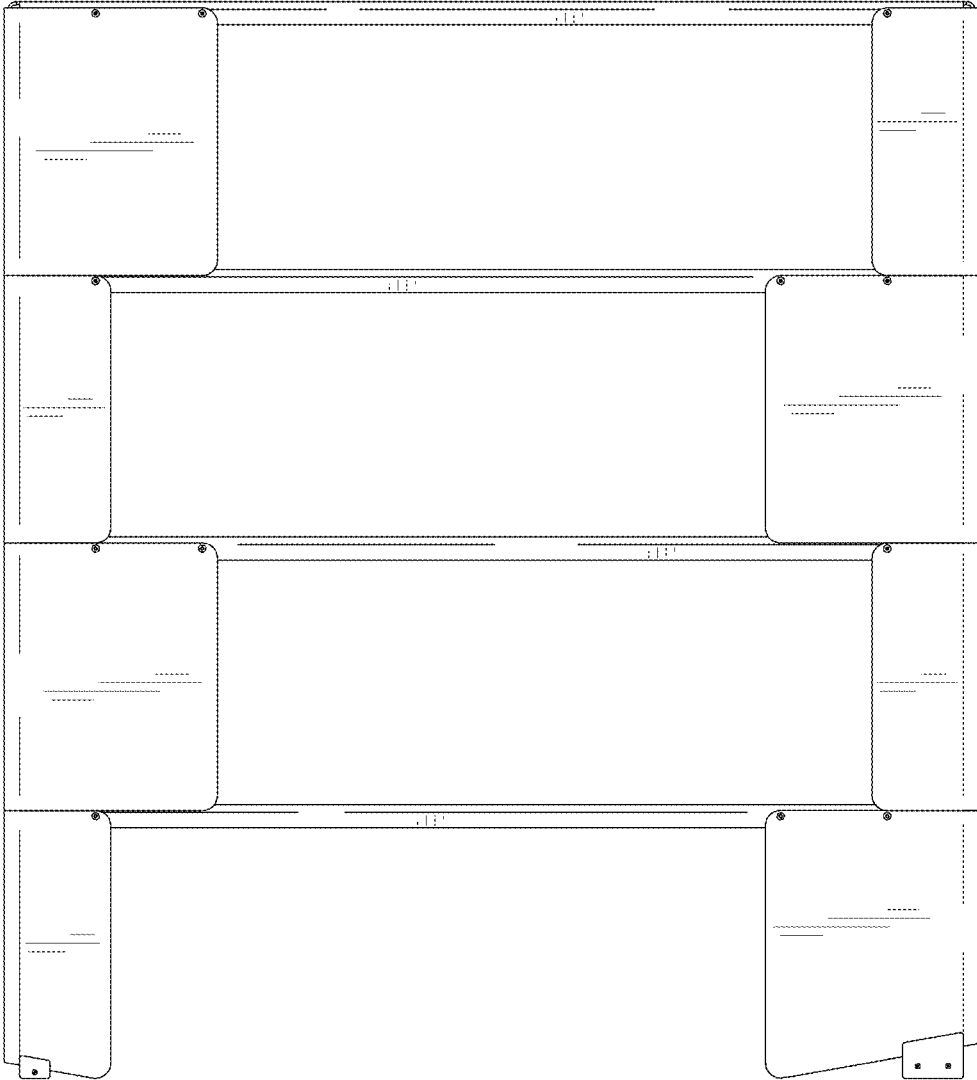


FIG. 2

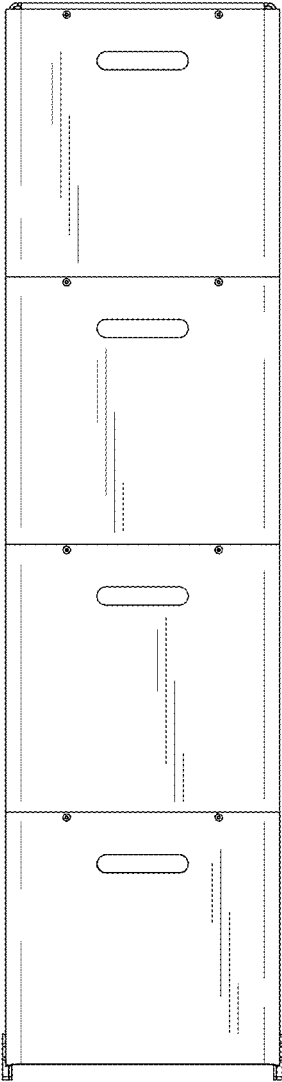


FIG. 3

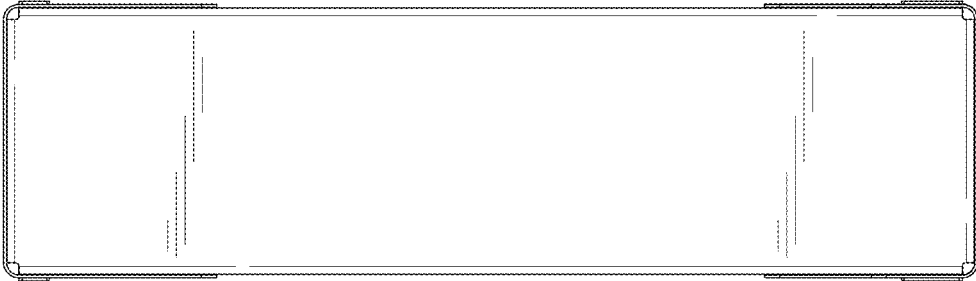


FIG. 4