



US00D445145S

(12) **United States Design Patent**
Yang

(10) **Patent No.:** **US D445,145 S**

(45) **Date of Patent:** **** Jul. 17, 2001**

(54) **SCOOTER**

(76) **Inventor:** **Hsi-Chuan Yang**, No. 637, Chenggung Rd., Shihu Jen, Changhua (TW), 514

(**) **Term:** **14 Years**

(21) **Appl. No.:** **29/135,207**

(22) **Filed:** **Jan. 9, 2001**

(51) **LOC (7) Cl.** **21-01**

(52) **U.S. Cl.** **D21/423**

(58) **Field of Search** D21/419, 421,
D21/423, 424, 426, 435, 533, 760, 765,
771; D12/107, 110-112; 280/87.01, 87.021,
87.041, 87.042; 180/181, 216

(56) **References Cited**

U.S. PATENT DOCUMENTS

D. 178,619 * 8/1956 Tonelli D21/423
D. 435,873 * 1/2001 Lee D21/423
1,274,889 * 8/1918 Johnson D21/423

2,920,904 * 1/1960 Doud D21/423

6,155,553 * 12/2000 Wang 280/87.041

6,173,976 * 1/2001 Lee 280/87.041

* cited by examiner

Primary Examiner—Raphael Barkai

(74) *Attorney, Agent, or Firm*—Rosenberg, Klein & Lee

(57) **CLAIM**

The ornamental design for a scooter, as shown and described.

DESCRIPTION

FIG. 1 is a rear-right-top perspective view of a scooter, showing my new design;

FIG. 2 is a front elevational view thereof;

FIG. 3 is a rear elevational view thereof;

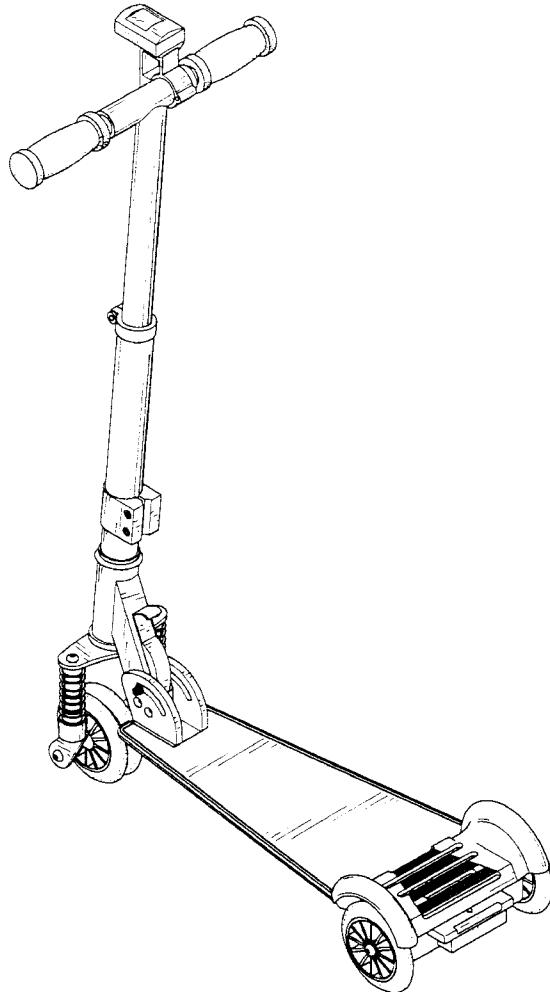
FIG. 4 is a left side view thereof;

FIG. 5 is a right side view thereof;

FIG. 6 is a top plan view thereof; and,

FIG. 7 is a bottom plan view thereof.

1 Claim, 7 Drawing Sheets



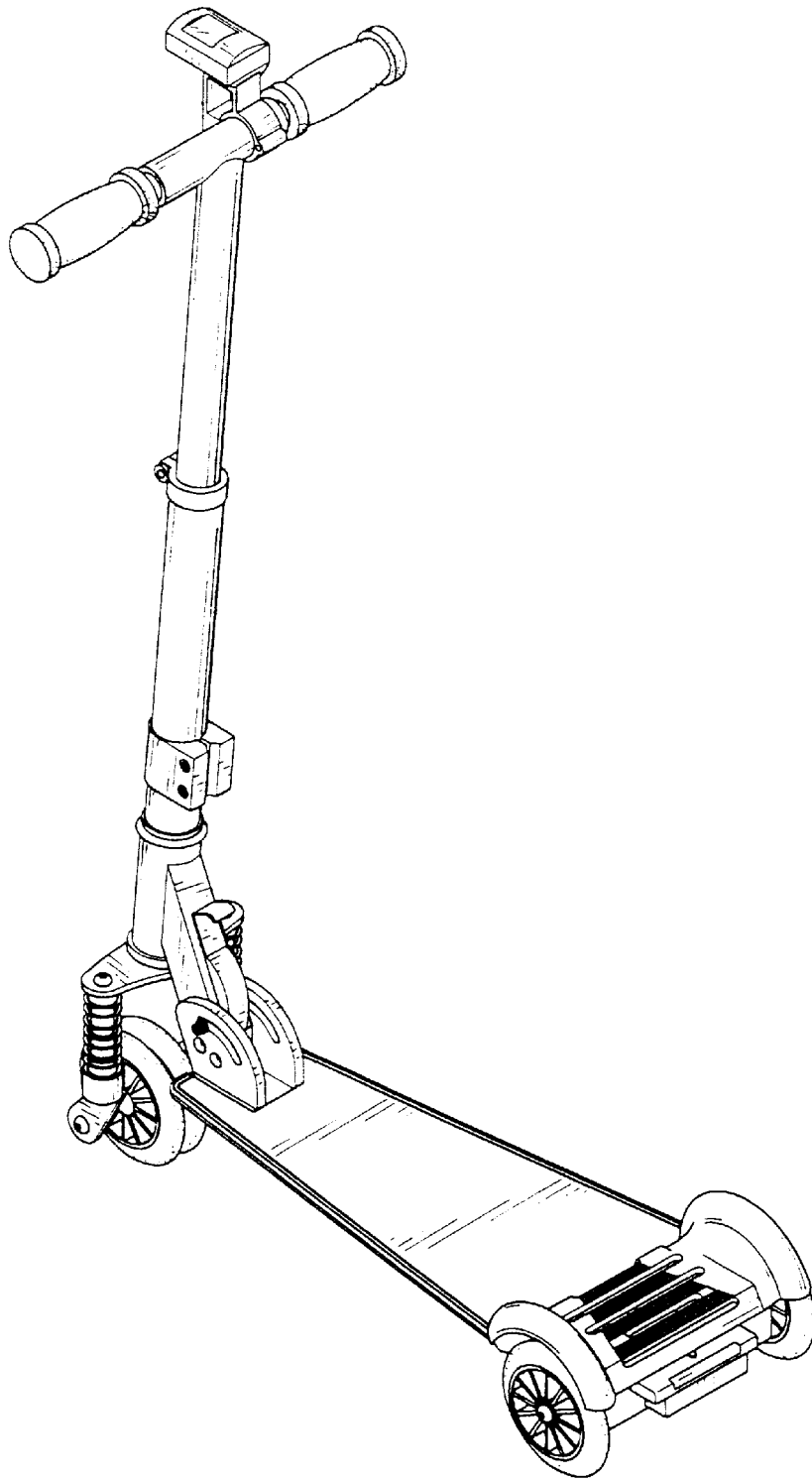


FIG. 1

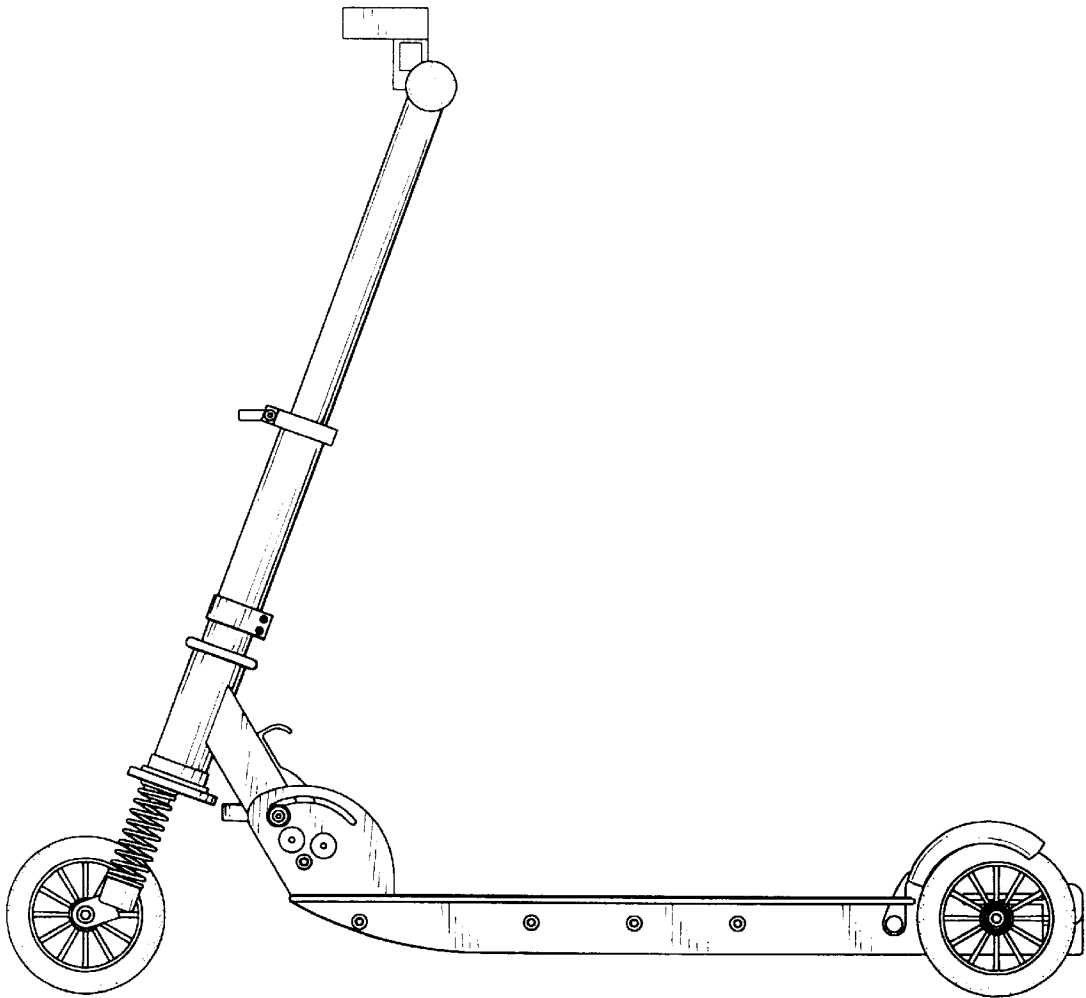


FIG. 2

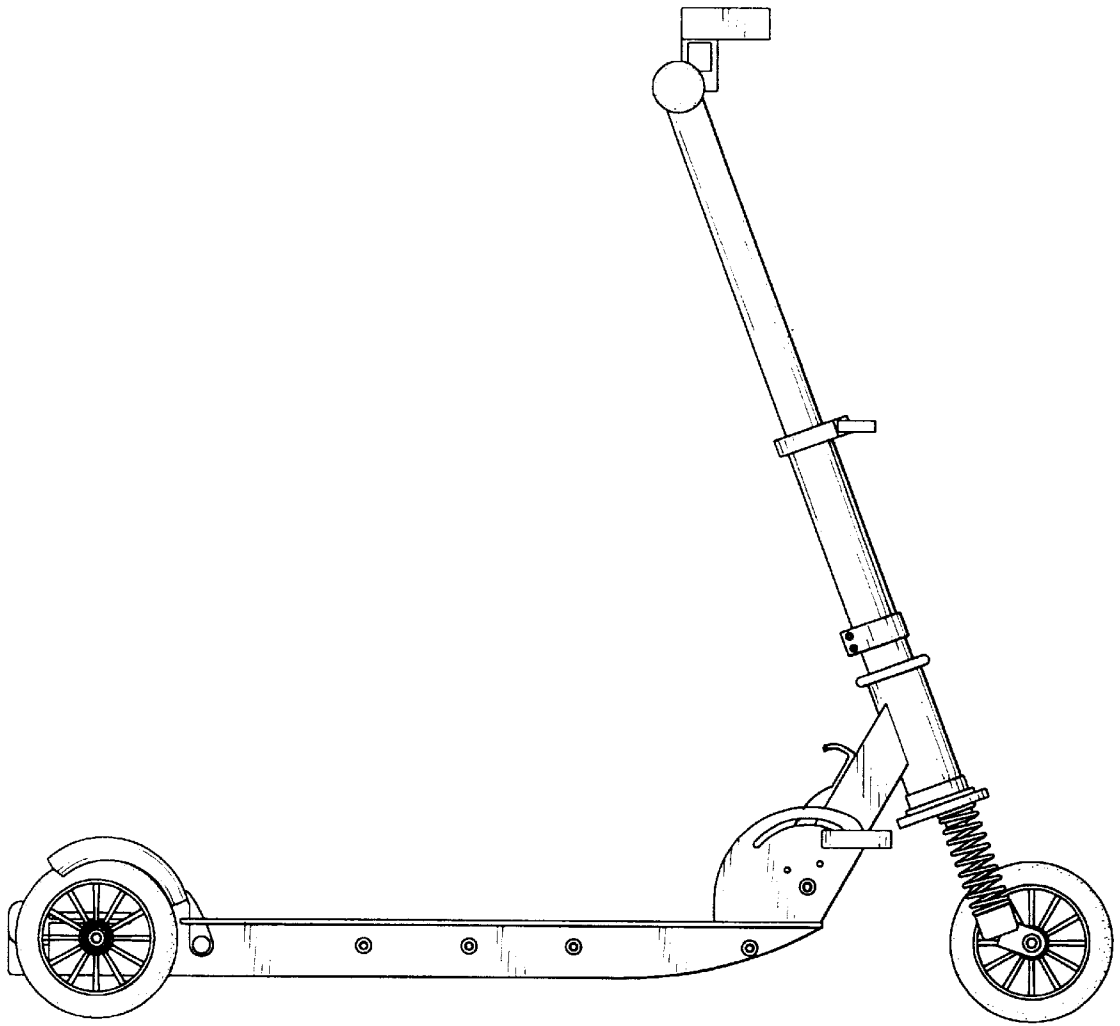


FIG.3

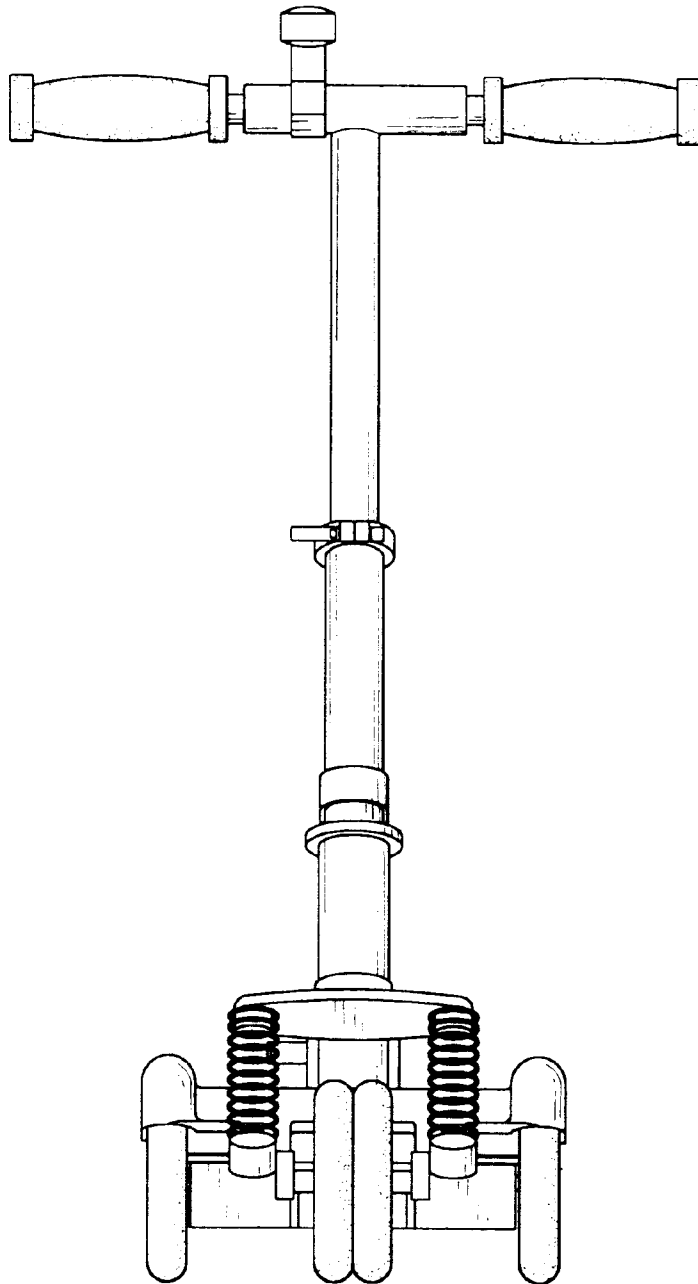


FIG. 4

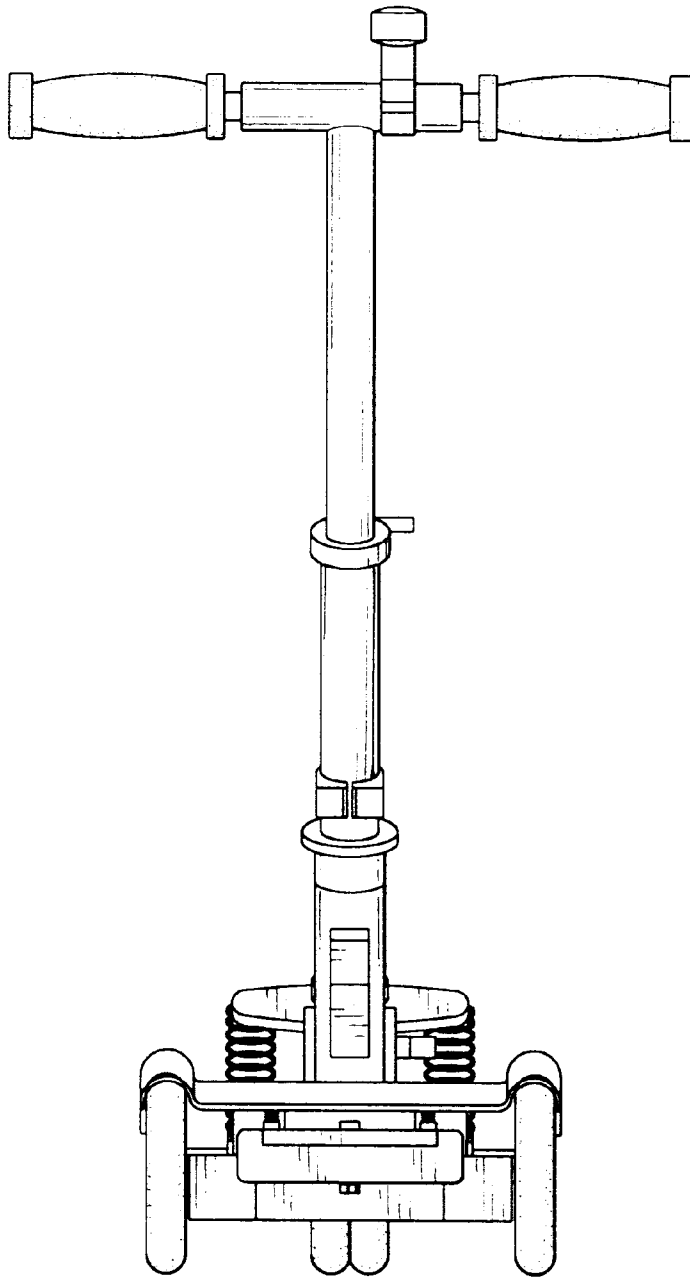


FIG.5

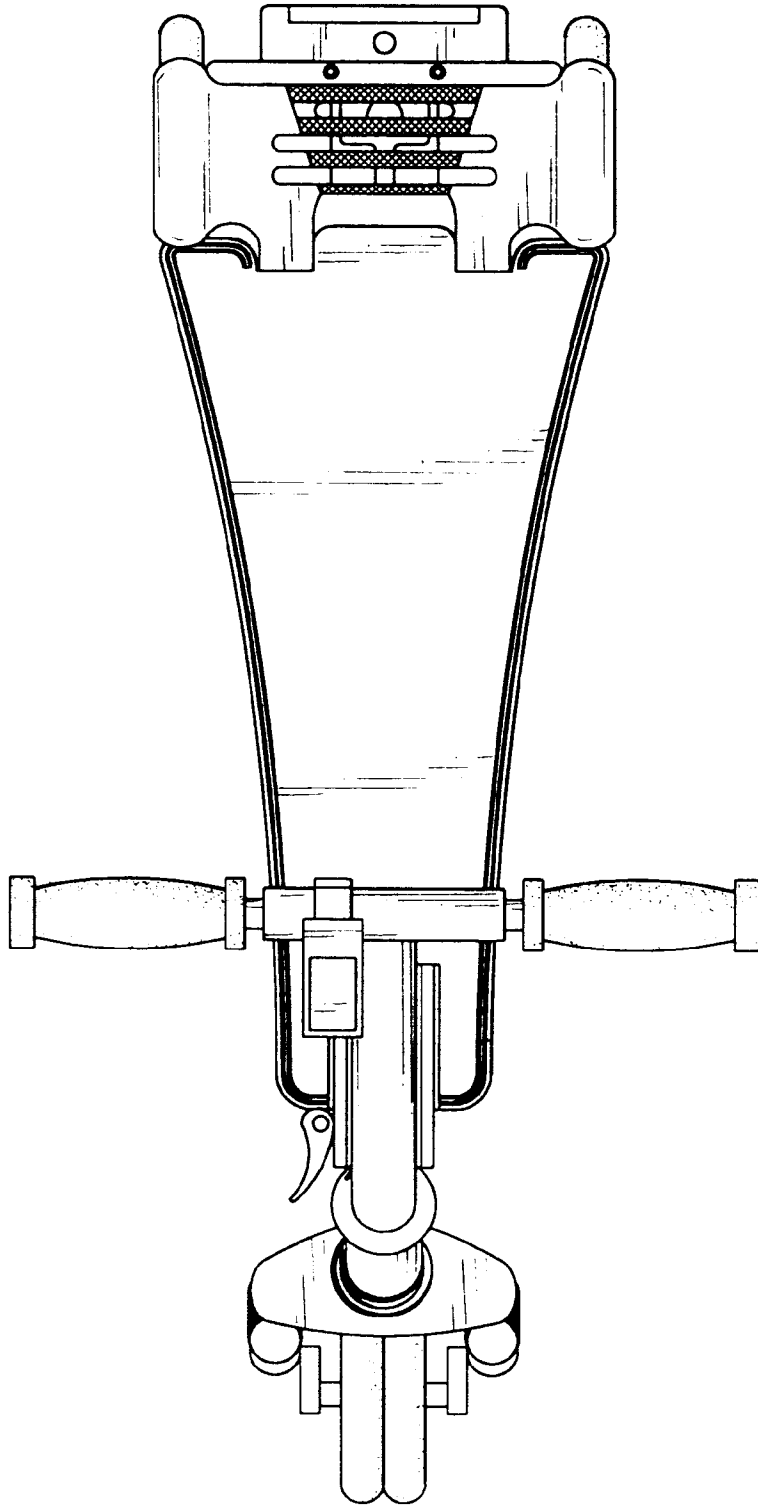


FIG. 6

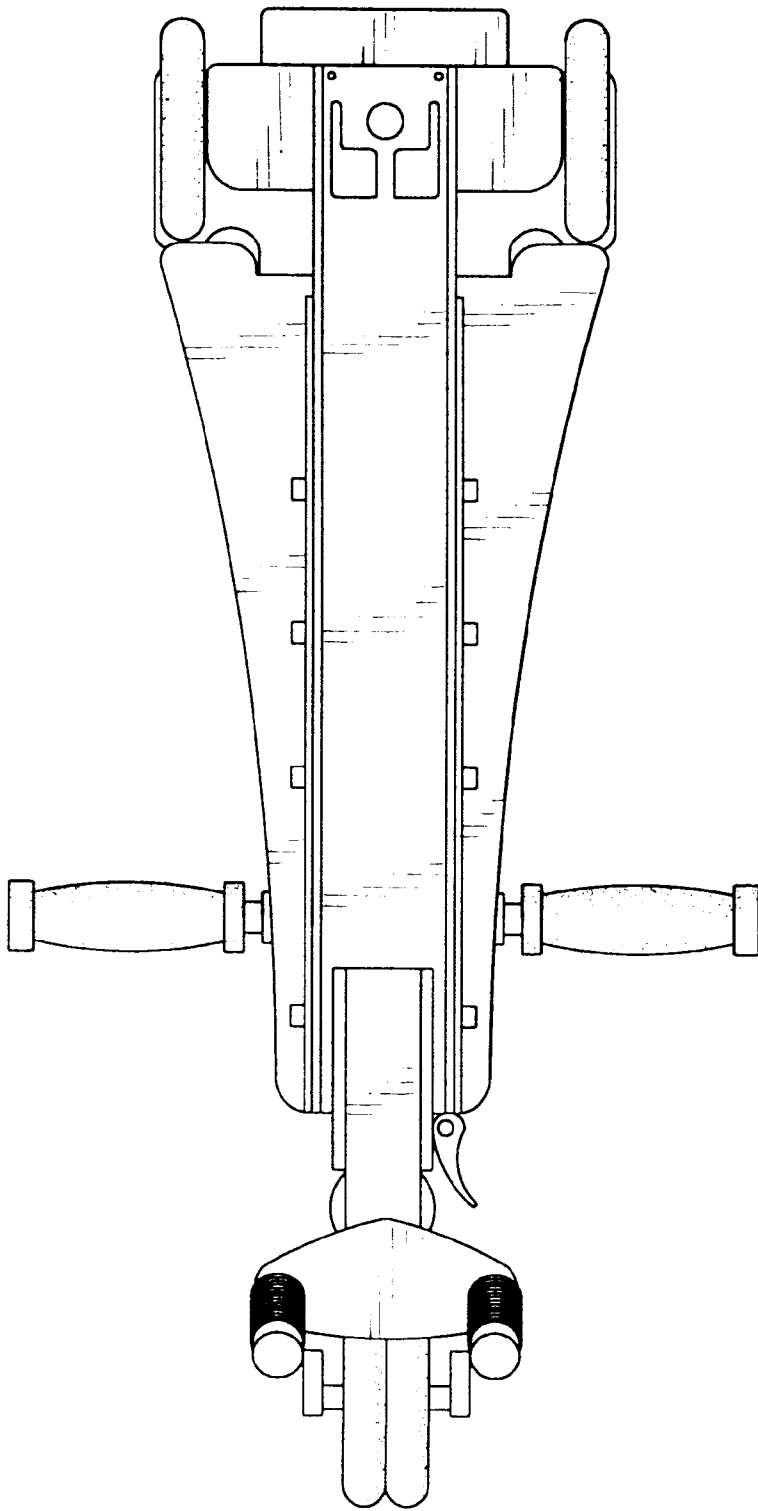


FIG. 7