



US0D1037876S

(12) **United States Design Patent**
Bartsch et al.

(10) **Patent No.:** **US D1,037,876 S**
(45) **Date of Patent:** **** Aug. 6, 2024**

(54) **DETECTOR FOR METALLIC BODIES AND OBJECTS**

(71) Applicant: **Ebinger Prüf- und Ortungstechnik GmbH, Cologne (DE)**

(72) Inventors: **Oliver Bartsch, Cologne (DE); Irene Ebinger, Cologne (DE); Ingeborg Ebinger, Cologne (DE)**

(**) Term: **15 Years**

(21) Appl. No.: **35/514,417**

(22) Filed: **Mar. 18, 2022**

(80) **Hague Agreement Data**

Int. Filing Date: **Mar. 18, 2022**
Int. Reg. No.: **DM/221019**
Int. Reg. Date: **Mar. 18, 2022**
Int. Reg. Pub. Date: **Jun. 10, 2022**

(51) **LOC (14) Cl.** **10-04**

(52) **U.S. Cl.** **D10/47**

(58) **Field of Classification Search**

USPC D10/46, 47, 75; D12/1
CPC G01V 5/0008; G01V 7/00; G01V 8/00;
G01V 9/00; G01V 11/00; G01V 3/107;
G01V 3/15; G01S 13/885

See application file for complete search history.

(56) **References Cited**

U.S. PATENT DOCUMENTS

6,026,135 A * 2/2000 McFee F41H 11/12
376/159
6,333,631 B1 * 12/2001 Das G01V 3/15
250/392
D487,715 S * 3/2004 Lindemann D12/1
D488,093 S * 4/2004 Lindemann D12/1
D545,721 S * 7/2007 Hacker D12/1

8,427,163 B2 * 4/2013 Sickler, Jr. G01V 3/15
324/326
D921,498 S * 6/2021 Mennicke D10/47
D936,490 S * 11/2021 Geiser D10/47
2003/0034778 A1 * 2/2003 Nelson G01V 3/15
324/329
2011/0241687 A1 * 10/2011 Sickler, Jr. G01V 3/15
324/329
2022/0350045 A1 * 11/2022 Paksoy F41H 11/136

OTHER PUBLICATIONS

EM61Mk2 from Geonics, announced in geomatrix.co.uk on Jun. 4, 2016 [online] per the wayback machine at web.archive.org, [site visited Jan. 18, 2023], Available from the internet URL: <https://www.geomatrix.co.uk/land-products/electromagnetic/em61mk2/>. (Year: 2016).*

(Continued)

Primary Examiner — George D. Kirschbaum

Assistant Examiner — Lillian Embrey

(57) **CLAIM**

The ornamental design for a detector for metallic bodies and objects, as shown and described.

DESCRIPTION

The patent or application file contains at least one drawing executed in color. Copies of this patent or patent application publication with color drawing(s) will be provided by the Office upon request and payment of the necessary fee.

1. Detector for metallic bodies and objects

1.1 : Perspective

1.2 : Front

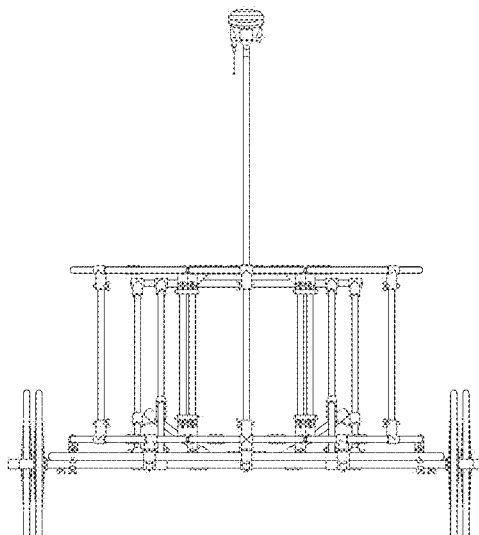
1.3 : Left

1.4 : Top

1.1 Perspective front view; **1.2** front view; **1.3** side view; **1.4** top view.

The elements of the design lined in red form no part of the claimed design.

1 Claim, 4 Drawing Sheets
(4 of 4 Drawing Sheet(s) Filed in Color)



(56)

References Cited

OTHER PUBLICATIONS

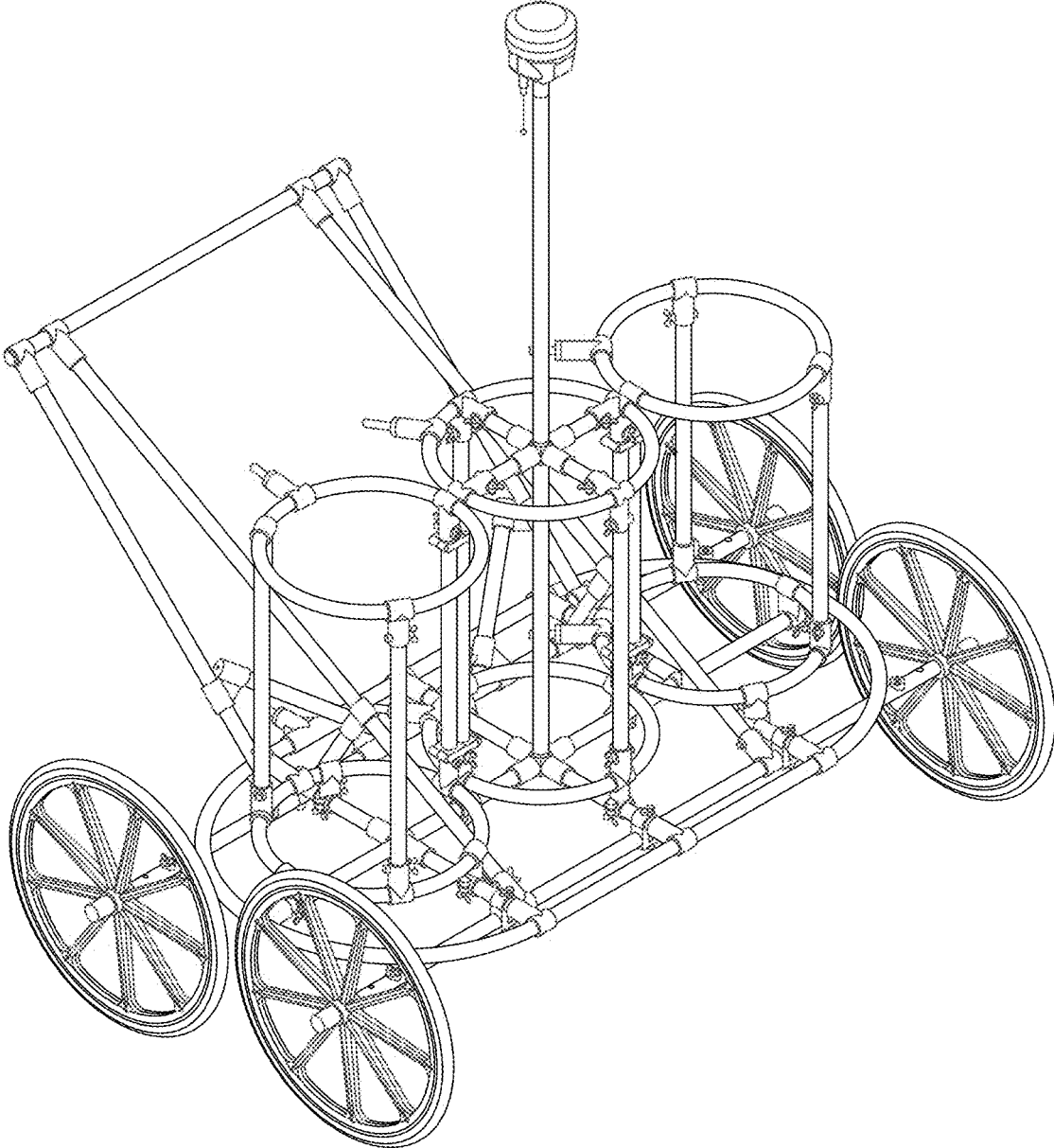
Metex 4.250, announced in foerstergroup.com on Jan. 21, 2021 [online] per the wayback machine at web.archive.org, [site visited Jan. 18, 2023], Available from the internet URL: <<https://www.foerstergroup.com/en/usa/products/metex-4250/>>. (Year: 2021).*

Magnex 120, posted on Facebook [online] on Mar. 11, 2016, [site visited Jan. 18, 2023], Available from the internet URL: <<https://www.facebook.com/Ebinger.Metaldetectors.and.Searchsystems.official/photos/pb.100066487284784.-2207520000./541363162711667/?type=3>>. (Year: 2016).*

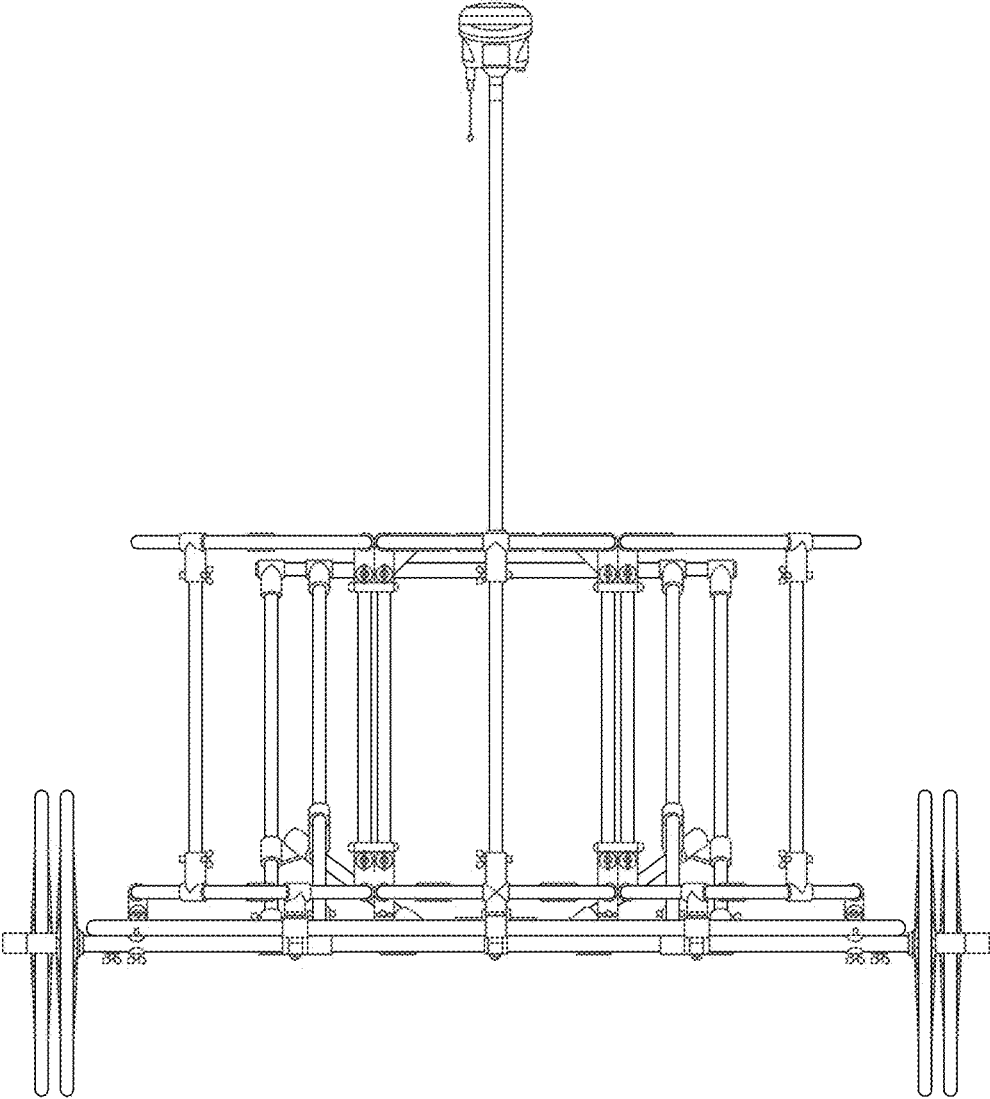
UPEX® 745 DF, posted on Facebook [online] on Jul. 27, 2017, [site visited Jan. 18, 2023], Available from the internet URL: <<https://www.facebook.com/Ebinger.Metaldetectors.and.Searchsystems.official/photos/pb.100066487284784.-2207520000./791388164375831/?type=3>>. (Year: 2017).*

* cited by examiner

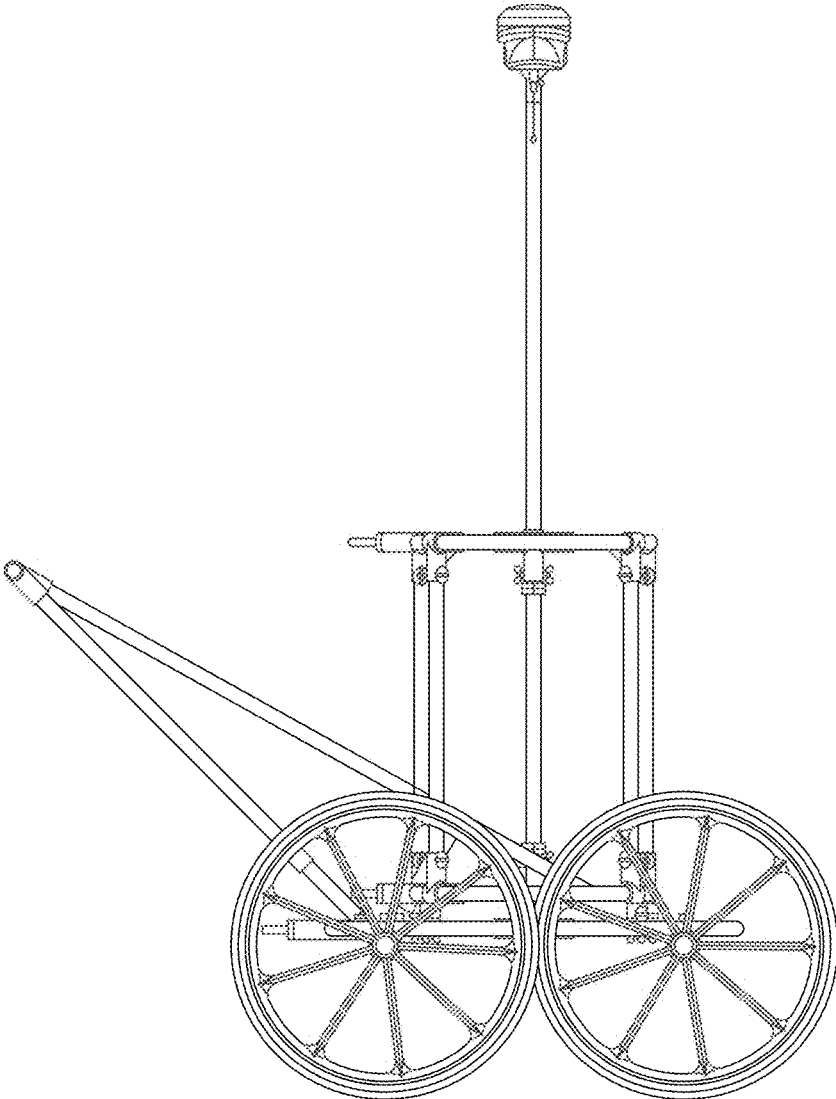
1.1



1.2



1.3



1.4

