



US00D768730S

(12) **United States Design Patent** (10) **Patent No.:** **US D768,730 S**  
**Kunz** (45) **Date of Patent:** **\*\* Oct. 11, 2016**

(54) **COUPLER FOR A GROUND ENGAGING MACHINE IMPLEMENT**

D182,143 S 2/1958 Petersen  
2,982,035 A 5/1961 Stephenson  
3,019,537 A 2/1962 Stephenson

(71) Applicant: **Caterpillar Inc.**, Peoria, IL (US)

(Continued)

(72) Inventor: **Phillip J. Kunz**, Morton, IL (US)

FOREIGN PATENT DOCUMENTS

(73) Assignee: **Caterpillar Inc.**, Peoria, IL (US)

CL 2068-1995 10/1996  
CL 391-1998 11/1998

(\*\*) Term: **14 Years**

(Continued)

(21) Appl. No.: **29/519,233**

OTHER PUBLICATIONS

(22) Filed: **Mar. 3, 2015**

Caterpillar Inc., Cat® K Series™ Tooth Systems, brochure (4 pages), 2006.

(Continued)

**Related U.S. Application Data**

(63) Continuation of application No. 29/462,274, filed on Aug. 1, 2013, now Pat. No. Des. 728,635.

*Primary Examiner* — Mark Goodwin

(51) **LOC (10) Cl.** ..... **15-03**

(74) *Attorney, Agent, or Firm* — Saidman DesignLaw Group, LLC

(52) **U.S. Cl.**

(57) **CLAIM**

USPC ..... **D15/29**; D15/28

The ornamental design for a coupler for a ground engaging machine implement, as shown and described.

(58) **Field of Classification Search**

**DESCRIPTION**

USPC ..... D15/11, 28, 29; 37/456, 452, 450, 446, 37/454, 449, 453, 455, 903; 403/379.5, 403/DIG. 1; 111/152; 172/724, 730, 766, 172/770, 771, 721, 713, 699, 772

FIG. 1 is an upper, right-side perspective view of a coupler for a ground engaging machine implement showing my new design

CPC ..... Y10T 29/49826; Y10T 403/589; Y10T 403/7018; Y10T 403/7075; E02F 9/28; E02F 9/2825; E02F 9/2833; E02F 9/2866; E02F 9/2858; E02F 9/2808; E02F 9/2841

FIG. 2 is a front view thereof;  
FIG. 3 is a rear view thereof;  
FIG. 4 is a right side view thereof, the left side view being a mirror image thereof;

See application file for complete search history.

FIG. 5 is a top view thereof;  
FIG. 6 is a bottom view thereof; and,  
FIG. 7 is a bottom, right side perspective view thereof.  
The relatively light and dark shade lines indicate contour and not surface decoration.

(56)

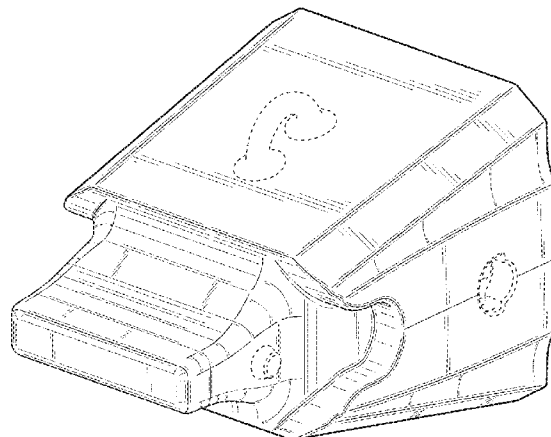
**References Cited**

U.S. PATENT DOCUMENTS

1,220,186 A 3/1917 Chambers  
1,384,701 A 7/1921 McMonegal  
1,571,782 A 2/1926 Andrews  
1,856,930 A 5/1932 Robin  
2,427,651 A 9/1947 Baer

The dashed broken lines are for the purpose of illustrating portions of the coupler of a ground engaging machine implement and form no part of the claimed design.

**1 Claim, 5 Drawing Sheets**



(56)

References Cited

U.S. PATENT DOCUMENTS

3,312,004 A 4/1967 Johnson  
 3,623,247 A 11/1971 Stepe  
 3,774,324 A 11/1973 Lafond  
 3,823,496 A 7/1974 Querci et al.  
 3,832,077 A 8/1974 Von Mehren  
 3,967,399 A 7/1976 Heinold et al.  
 4,052,802 A 10/1977 Moen et al.  
 4,086,966 A 5/1978 Lanz et al.  
 4,128,132 A 12/1978 Moen et al.  
 4,182,057 A 1/1980 Klett et al.  
 4,231,173 A 11/1980 Davis  
 4,516,340 A 5/1985 Launder  
 4,761,900 A 8/1988 Emrich  
 4,776,113 A 10/1988 Bedford et al.  
 4,848,013 A 7/1989 Bowman et al.  
 4,918,843 A 4/1990 Kiesewetter et al.  
 4,965,945 A 10/1990 Emrich  
 5,205,057 A 4/1993 Garman  
 D336,476 S 6/1993 Garman  
 D339,592 S 9/1993 Johansson  
 5,272,824 A 12/1993 Cornelius  
 5,386,653 A 2/1995 Cornelius  
 5,423,138 A 6/1995 Livesay et al.  
 5,456,029 A \* 10/1995 Cornelius ..... E02F 9/2825  
 172/713  
 D365,577 S 12/1995 Ruvang  
 5,561,925 A 10/1996 Livesay  
 5,634,285 A 6/1997 Renski  
 5,709,043 A 1/1998 Jones et al.  
 D391,583 S 3/1998 Moreno  
 5,743,033 A 4/1998 Gegel  
 5,806,216 A 9/1998 Renski  
 D399,511 S 10/1998 Launder et al.  
 5,896,911 A 4/1999 Gegel  
 D413,338 S 8/1999 Pueyo Molina  
 5,937,550 A 8/1999 Emrich  
 D414,193 S 9/1999 Launder et al.  
 5,983,534 A 11/1999 Robinson et al.  
 5,992,063 A 11/1999 Mack  
 6,085,448 A 7/2000 Gale et al.  
 6,092,958 A 7/2000 Gale  
 6,145,224 A 11/2000 Stickling  
 6,321,471 B2 11/2001 Fernandez Muñoz et al.  
 D454,891 S 3/2002 Ketting et al.  
 D458,614 S 6/2002 Esterhuysen et al.  
 D460,464 S 7/2002 Ketting et al.  
 D461,832 S 8/2002 Ketting et al.  
 6,457,269 B1 10/2002 Esterhuysen et al.  
 6,477,796 B1 11/2002 Cornelius  
 6,766,602 B2 7/2004 Cox et al.  
 6,865,828 B1 3/2005 Molino et al.  
 6,871,426 B2 3/2005 Keech et al.  
 7,100,315 B2 9/2006 Carpenter et al.  
 7,219,454 B2 5/2007 Maher  
 D552,632 S 10/2007 De Martiis  
 D560,232 S 1/2008 De Martiis  
 7,762,015 B2 7/2010 Smith et al.  
 D624,943 S 10/2010 Gibbon  
 8,117,772 B2 2/2012 Harder et al.  
 8,122,622 B2 2/2012 Smith et al.  
 8,127,475 B2 3/2012 Harder et al.  
 8,170,756 B2 5/2012 Morey et al.  
 8,229,631 B2 7/2012 Morey et al.  
 8,393,097 B2 3/2013 Harder et al.  
 D706,307 S 6/2014 Renski et al.  
 D706,311 S 6/2014 Renski et al.  
 D706,312 S 6/2014 Renski et al.  
 D706,839 S 6/2014 Renski et al.  
 D706,840 S 6/2014 Renski et al.  
 D707,263 S 6/2014 Renski et al.  
 D707,264 S 6/2014 Renski et al.  
 D727,367 S 4/2015 Renski et al.  
 D727,368 S 4/2015 Renski et al.  
 D727,369 S 4/2015 Renski et al.  
 D727,979 S 4/2015 Renski et al.

D727,980 S 4/2015 Renski et al.  
 D727,981 S 4/2015 Renski et al.  
 D727,982 S 4/2015 Renski et al.  
 D728,635 S \* 5/2015 Kunz ..... D15/28  
 D728,636 S 5/2015 Kunz  
 D728,637 S 5/2015 Kunz  
 9,228,324 B2 \* 1/2016 Kunz ..... E02F 9/2858  
 D748,685 S \* 2/2016 Kunz ..... D15/28  
 D749,147 S \* 2/2016 Kunz ..... D15/28  
 9,273,448 B2 \* 3/2016 Kunz ..... E02F 9/2858  
 9,290,914 B2 \* 3/2016 Kunz ..... E02F 9/2858  
 2002/0195259 A1 12/2002 Satzler  
 2004/0010949 A1 1/2004 Laguarda et al.  
 2007/0204490 A1 9/2007 Jones et al.  
 2008/0148608 A1 6/2008 Harder et al.  
 2008/0201997 A1 8/2008 Armstrong  
 2009/0282711 A1 11/2009 Naher et al.  
 2011/0035970 A1 2/2011 Smith et al.  
 2011/0035971 A1 2/2011 Smith et al.  
 2011/0035972 A1 2/2011 Harder et al.  
 2012/0186113 A1 7/2012 Harder et al.  
 2012/0210612 A1 8/2012 Harder et al.  
 2012/0297649 A1 11/2012 Gomar  
 2015/0033596 A1 2/2015 Kunz

FOREIGN PATENT DOCUMENTS

CL 1193-1999 9/1999  
 CL 223-1999 11/1999  
 CL 1457-1999 11/1999  
 CL 1583-1999 6/2000  
 CL 2671-2005 7/2006  
 CL 3115-2005 9/2006  
 CL 3116-2005 9/2006  
 CL 173-2008 8/2008  
 CL 174-2008 8/2008  
 CL 2524-2008 1/2009  
 CL 1764-2008 7/2009  
 CL 618-2010 11/2010  
 CL 739-2010 12/2010  
 CL 291-2012 11/2012  
 EM 000089099-0001 10/2003  
 EM 000089099-0002 10/2003  
 EM 000089099-0003 10/2003  
 EM 000877477-0001 1/2008  
 EM 000877477-0002 1/2008  
 EM 000877477-0003 1/2008  
 EM 000877477-0004 1/2008  
 EM 000877477-0005 1/2008  
 EM 000877477-0006 1/2008  
 EM 000877477-0007 1/2008  
 EM 000877477-0008 1/2008  
 EM 000877477-0009 1/2008  
 EM 000895396-0001 3/2008  
 EM 000895396-0002 3/2008  
 EM 000895396-0003 3/2008  
 EM 000895396-0004 3/2008  
 EM 000895396-0005 3/2008  
 EM 000895396-0006 3/2008  
 EM 000895396-0007 3/2008  
 EM 000895396-0008 3/2008  
 EM 000895396-0009 3/2008  
 EM 000895396-0010 3/2008  
 EM 000895396-0011 3/2008  
 EM 000895396-0012 3/2008  
 EM 000895396-0013 3/2008  
 EM 000895396-0014 3/2008  
 EM 000895396-0015 3/2008  
 GB 1049195 3/1988  
 GB 1050103 4/1988  
 GB 2010025 4/1990  
 GB 2010026 4/1990  
 GB 2057051 12/1995  
 GB 2057052 12/1995  
 GB 2057053 12/1995  
 GB 2060104 4/1996  
 GB 2060105 4/1996  
 GB 2057055 5/1996  
 GB 2091441 10/1999

(56)

**References Cited**

**OTHER PUBLICATIONS**

FOREIGN PATENT DOCUMENTS

GB	2091502	10/1999
GB	2095654	3/2000
GB	2097590	3/2000
GB	2097591	4/2000
GB	2097592	4/2000
GB	2097593	5/2000
GB	2104929	3/2001
GB	2106421	4/2001

Hensley Industries, Inc., Extreme Service™, Specification Guide, Mining Teeth and Adapters, (XS85-XS342 Series, TS922-TS1222 Series, XSC12 and XSC127, Mar. 2011, (31 pages).  
ESCO® Corp., Nemisys®, Mining Lip System, © 2013 (5 pages).  
ESCO® Corp., ESCO Posilok® Plus Mining Tooth System, © 2009 (4 pages).

\* cited by examiner

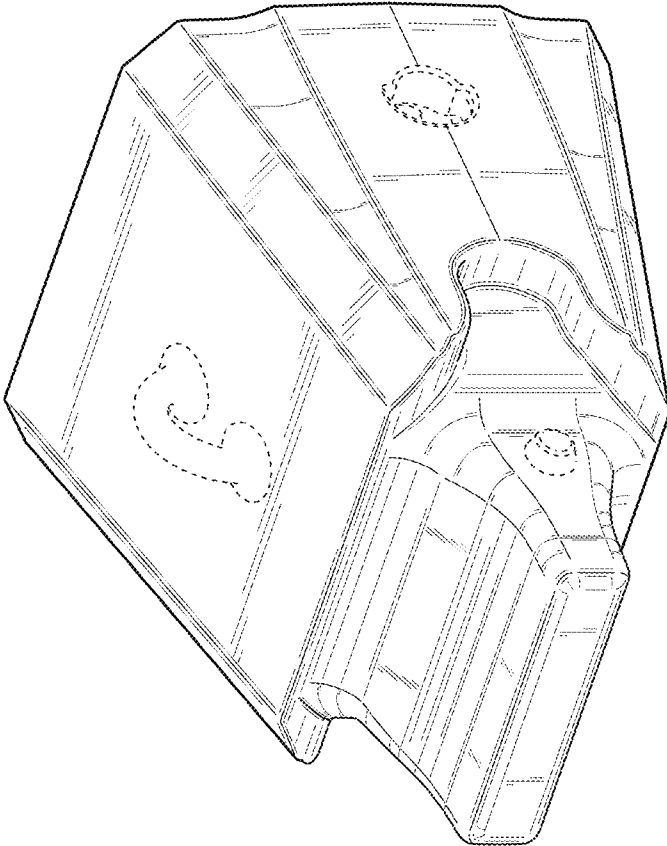


Fig. 1

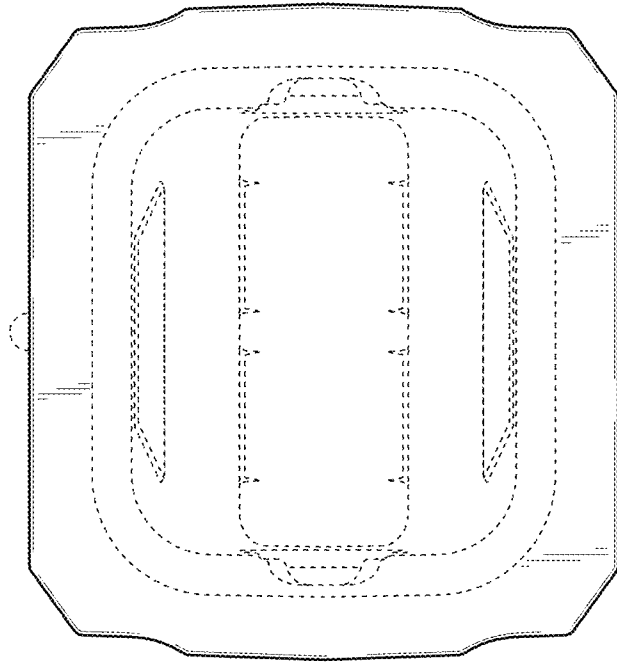


Fig. 3

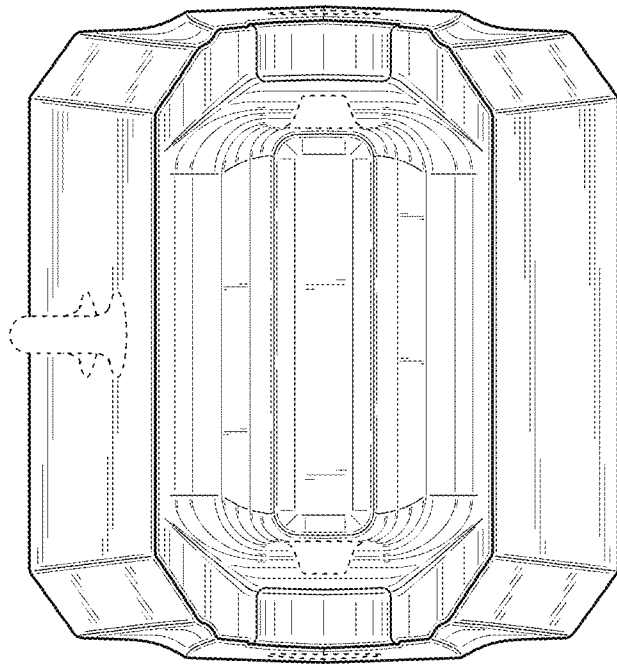


Fig. 2

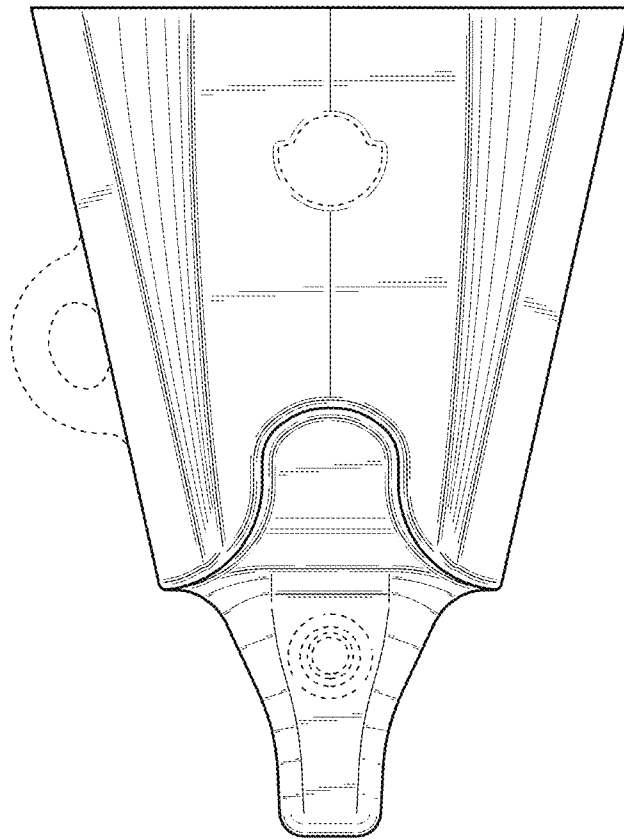


Fig. 4

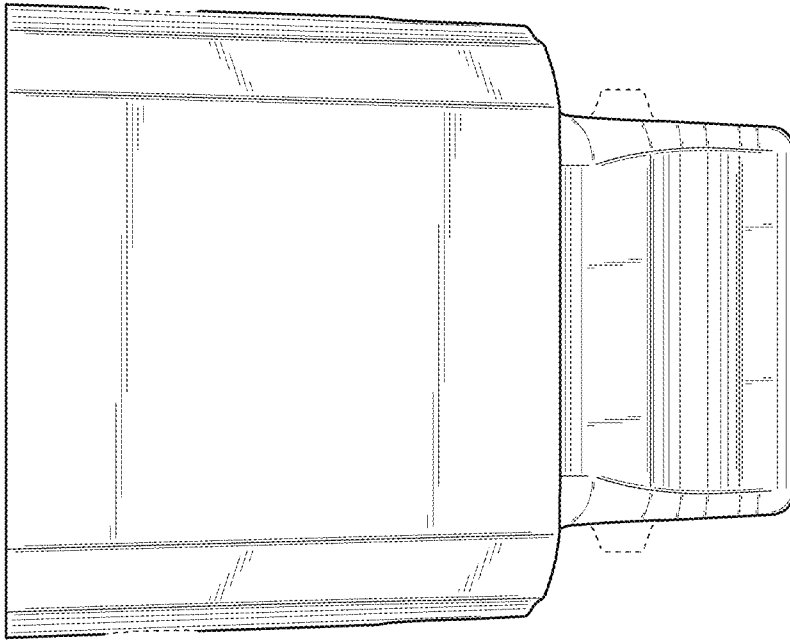


Fig. 6

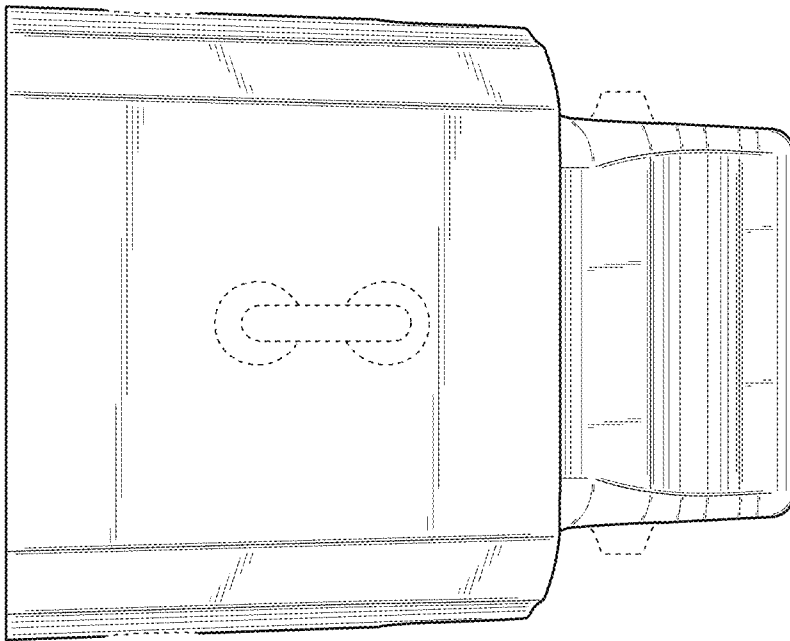


Fig. 5

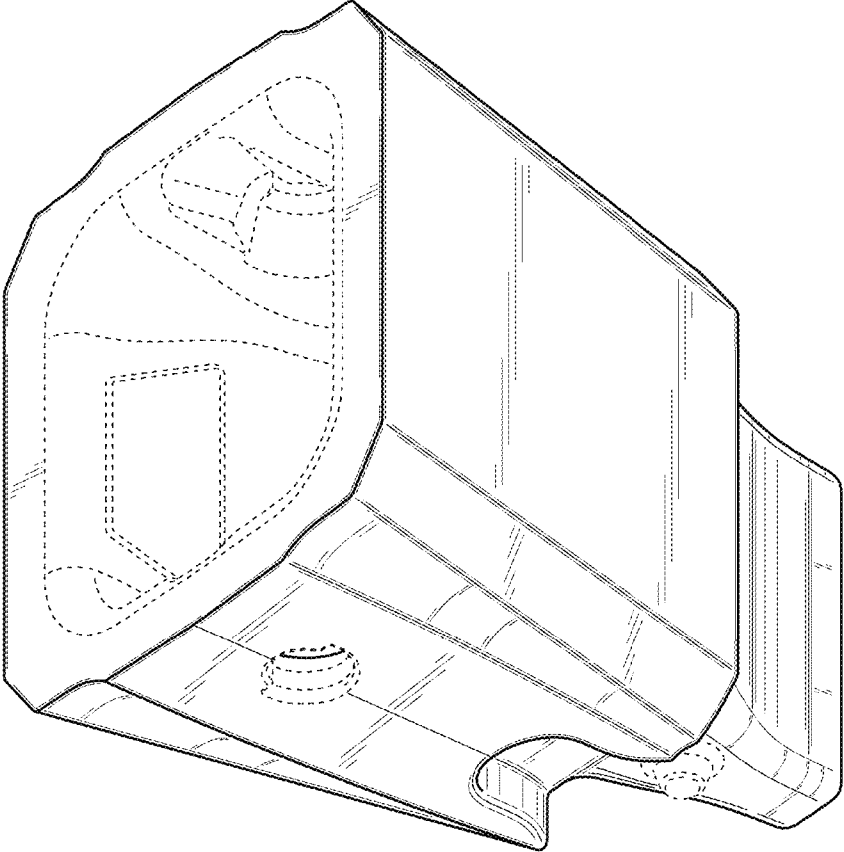


Fig. 7