



US00D930474S

(12) **United States Design Patent**
Faragher

(10) **Patent No.:** **US D930,474 S**

(45) **Date of Patent:** **** Sep. 14, 2021**

(54) **CLOSURE FOR CONTAINERS**

(71) Applicant: **Obrist Closures Switzerland GmbH**,
Reinach (CH)

(72) Inventor: **Stephen Faragher**, Norwich (GB)

(73) Assignee: **Obrist Closures Switzerland GmbH**,
Reinach (CH)

(**) Term: **15 Years**

(21) Appl. No.: **35/508,596**

(22) Filed: **Jul. 23, 2019**

(80) **Hague Agreement Data**

Int. Filing Date: **Jul. 23, 2019**

Int. Reg. No.: **DM/205727**

Int. Reg. Date: **Jul. 23, 2019**

Int. Reg. Pub. Date: **Feb. 14, 2020**

(30) **Foreign Application Priority Data**

Jan. 25, 2019 (IN) 314239

(51) **LOC (13) Cl.** **09-07**

(52) **U.S. Cl.**
USPC **D9/453**

(58) **Field of Classification Search**

USPC D9/434, 499, 443, 452, 453, 435, 454;
D7/392.1, 396.2; D23/260, 261

CPC A61J 1/1406; A61J 1/1425; A61J 1/1487;
B65D 47/0804; B65D 47/2031; B65D
50/046

See application file for complete search history.

(56) **References Cited**

U.S. PATENT DOCUMENTS

D458,138 S * 6/2002 Fuchs D9/453
D566,555 S * 4/2008 Berman D9/453
D572,131 S * 7/2008 Berman D9/453

D573,022 S * 7/2008 Berman D9/453
D592,954 S * 5/2009 Capretta D9/453
D606,864 S * 12/2009 Robinson D9/453
D688,128 S * 8/2013 Krause B65D 51/245
D9/453
D693,683 S * 11/2013 Ramsey D9/453
D693,685 S * 11/2013 Ramsey D9/453
D790,966 S * 7/2017 Roberts D9/453
D824,257 S * 7/2018 Wood D9/453
D836,442 S * 12/2018 Wood D9/453
D838,171 S * 1/2019 Wood D9/453
D885,896 S * 6/2020 Edie D9/452
D885,897 S * 6/2020 Edie D9/452
D885,899 S * 6/2020 Edie D9/452
D885,900 S * 6/2020 Edie D9/452
D885,904 S * 6/2020 Kim D9/453

OTHER PUBLICATIONS

Berlin. 38 mm Black HDPE Tamper-Evident Cap (Unlined)—
3801C01BLK. No date specified, [https://www.berlinpackaging.com/3801c01blk-38-mm-black-hdpe-tamper-evident-cap-unlined/?promo=shopping&gclid=EAlalQobChMI84n6zsuC7glVAqCGCh1CEQcEAQYCyABEglvgfD_BwE \(Year: 0\).](https://www.berlinpackaging.com/3801c01blk-38-mm-black-hdpe-tamper-evident-cap-unlined/?promo=shopping&gclid=EAlalQobChMI84n6zsuC7glVAqCGCh1CEQcEAQYCyABEglvgfD_BwE (Year: 0).)*

(Continued)

Primary Examiner — Darcey E Gottschalk
(74) *Attorney, Agent, or Firm* — Banner & Witcoff, Ltd.

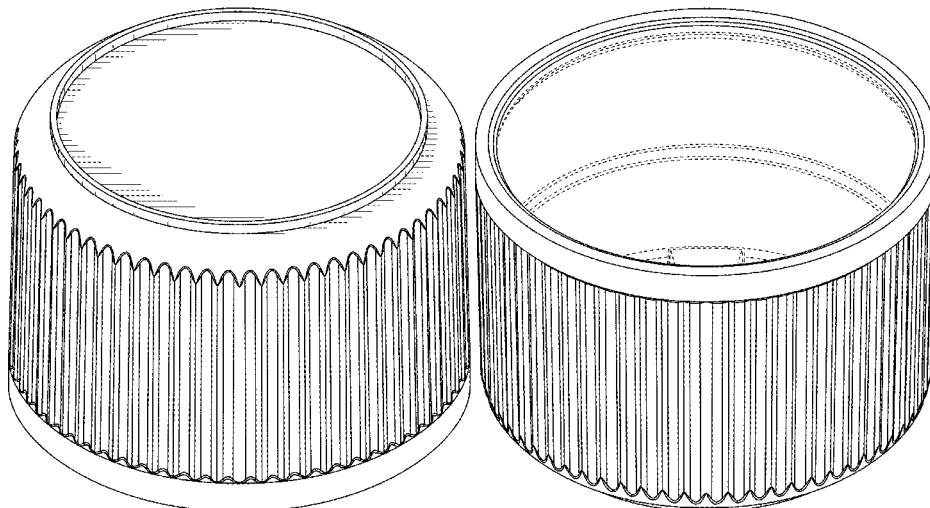
(57) **CLAIM**

The ornamental design for a closure for containers, as shown and described.

DESCRIPTION

FIG. 1.1 a top perspective view showing my new design;
FIG. 1.2 is a bottom perspective view thereof;
FIG. 1.3 is a top view thereof;
FIG. 1.4 is a bottom view thereof;
FIG. 1.5 is a left side view thereof; and
FIG. 1.6 is a right side view thereof.
The broken lines depict portions of the closure for containers that form no part of the claimed design.

1 Claim, 6 Drawing Sheets



(56)

References Cited

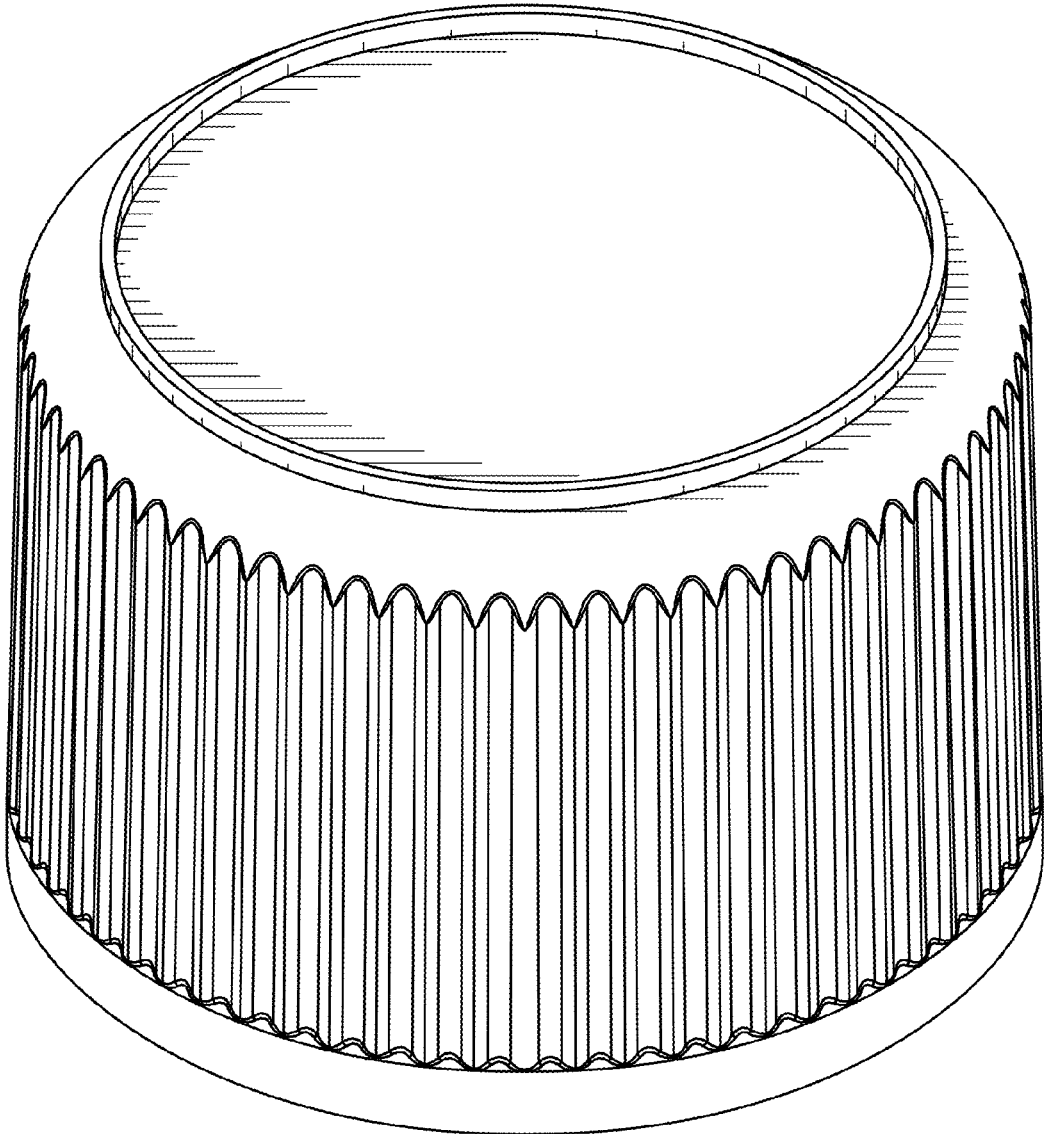
OTHER PUBLICATIONS

Frapak. 24-410 child resistant closure, plug seal, ribbed. No date specified, <https://www.frapak.com/en/closures/24-410-child-resistant-closure-plug-seal-ribbed/D24BCR1018PSXR01/> (Year: 0).*

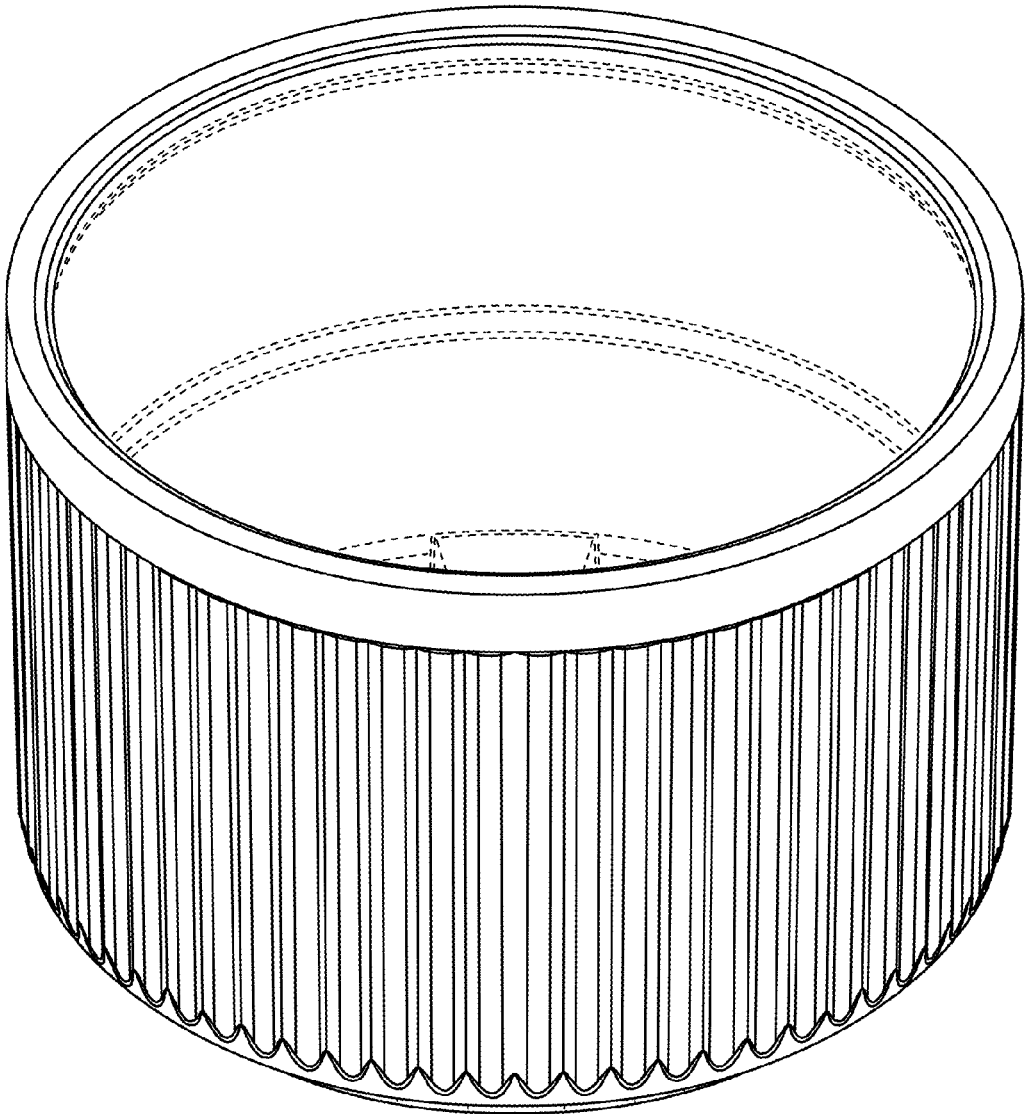
MJS packaging. 28-400 black fine ribbed PP closure with FSM1 plain heat seal liner for PE. No date specified. <https://www.mjspackaging.com/28-400-black-fine-ribbed-pp-closure-with-fsm1-plain-heat-seal-liner-for-pe.html> (Year: 0).*

* cited by examiner

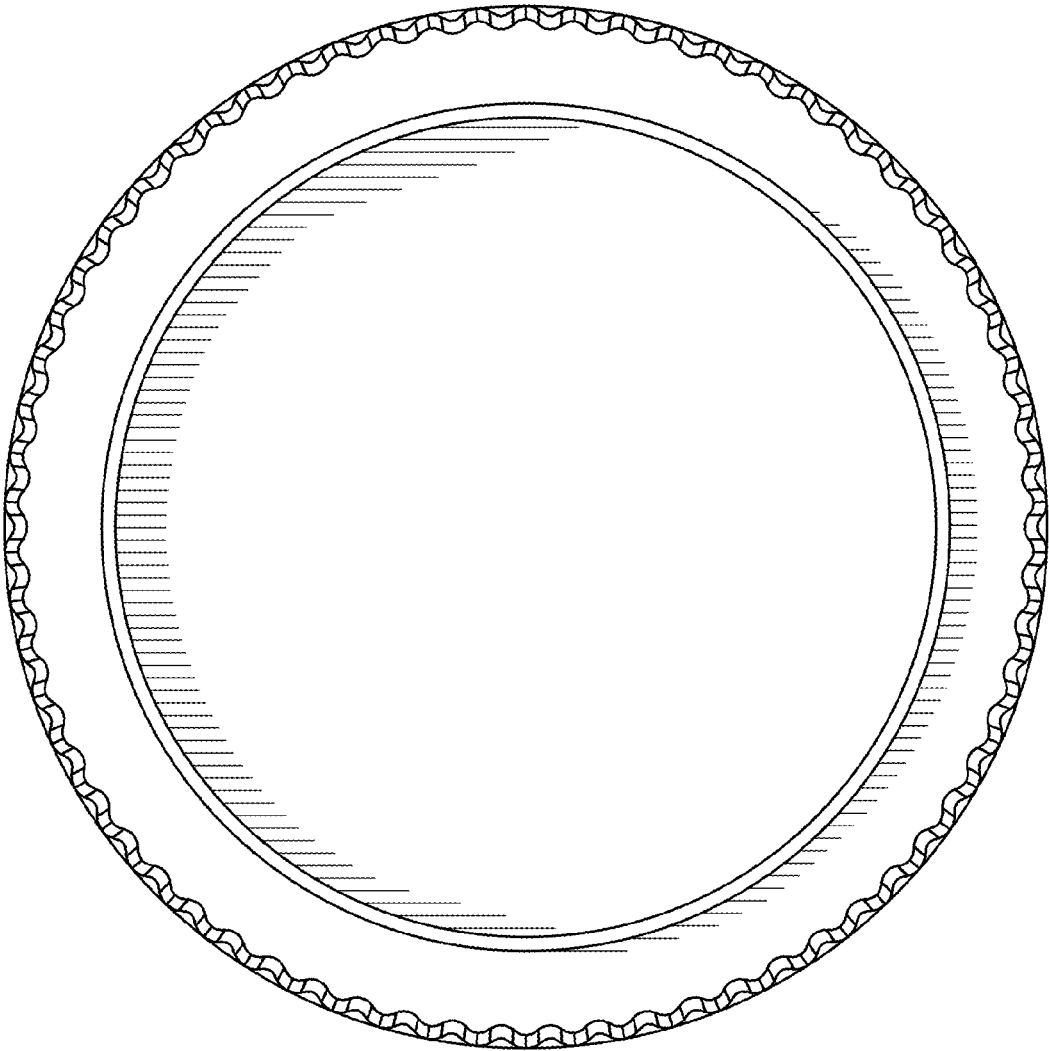
1.1



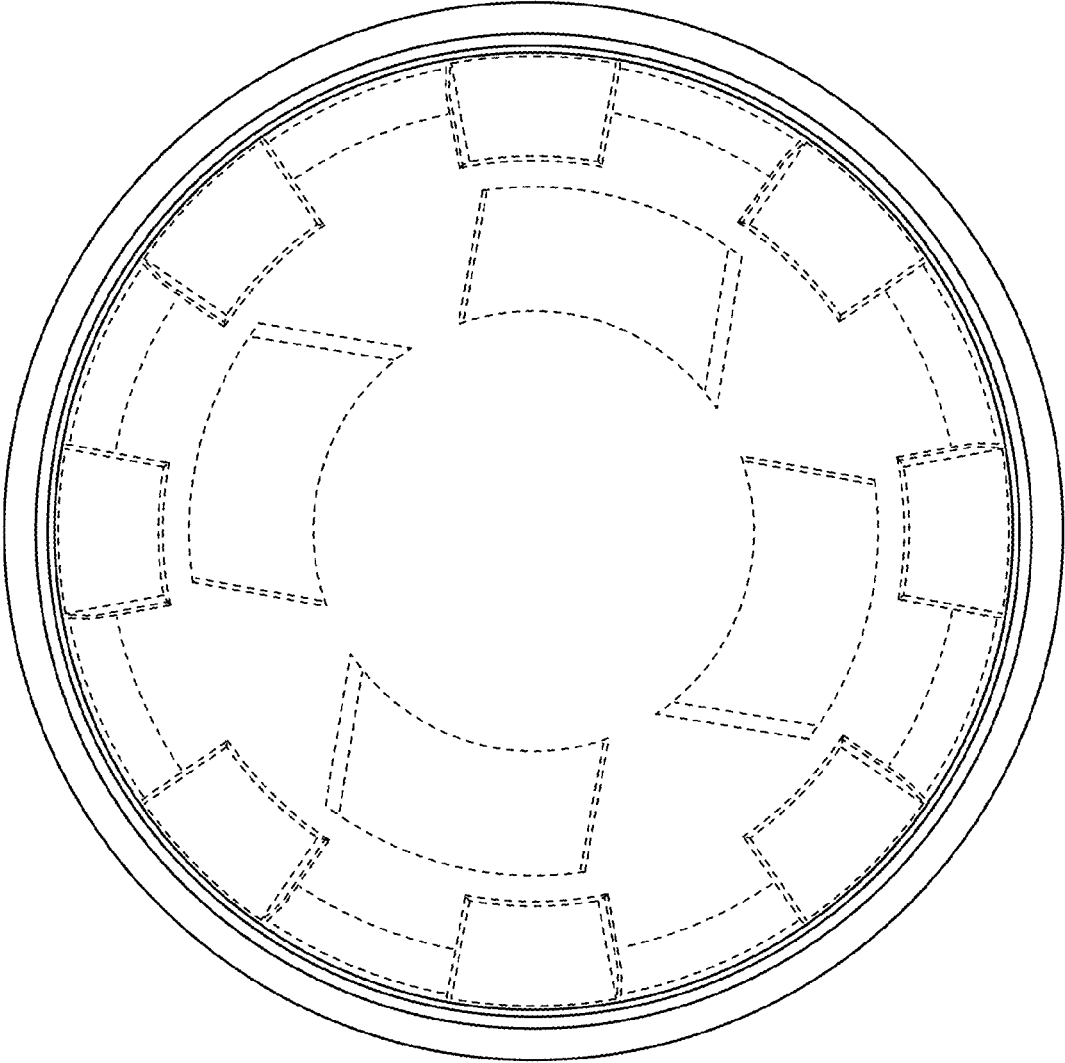
1.2



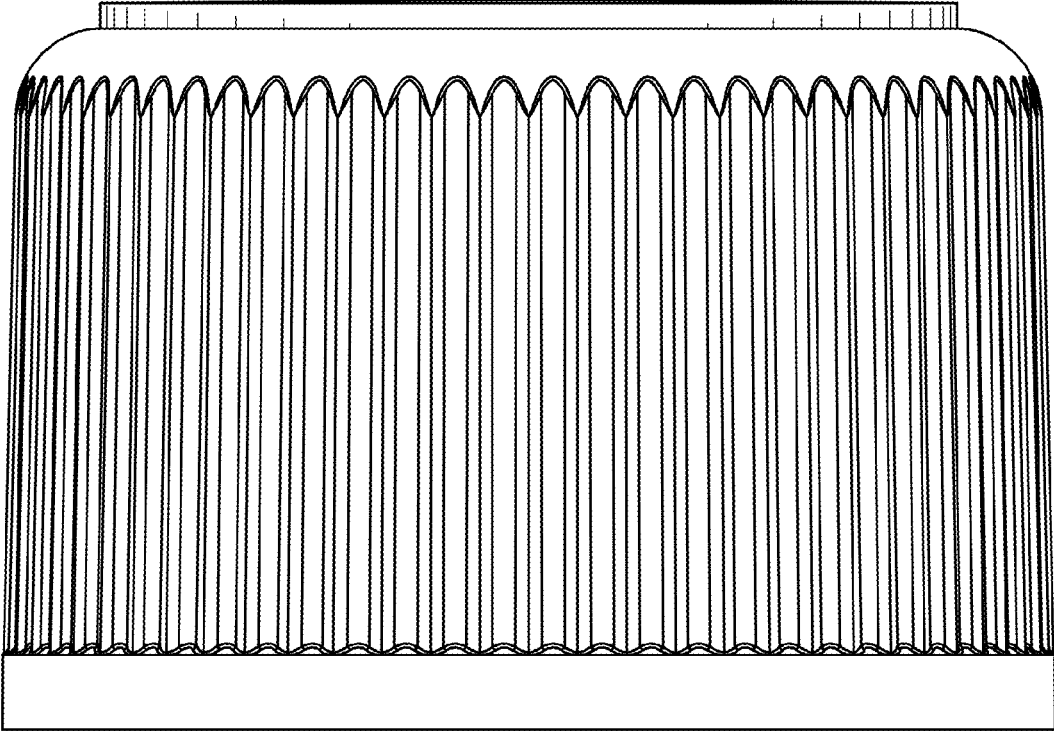
1.3



1.4



1.5



1.6

