



US0D1036042S

(12) **United States Design Patent**
Yu et al.

(10) **Patent No.:** **US D1,036,042 S**
(45) **Date of Patent:** **** Jul. 16, 2024**

(54) **HANDHELD FLOOR WASHING APPLIANCE**

FOREIGN PATENT DOCUMENTS

(71) Applicant: **Beijing Roborock Technology Co., Ltd.**, Beijing (CN)

CN 305688939 S 4/2020
CN 305698109 S 4/2020

(Continued)

(72) Inventors: **Zechen Yu**, Beijing (CN); **Fanwei Meng**, Beijing (CN); **Bingbing Jin**, Beijing (CN)

OTHER PUBLICATIONS

Office Action dated Jul. 20, 2023, issued in related Taiwanese Patent Application No. 112300724.

(73) Assignee: **Beijing Roborock Technology Co., Ltd.**, Beijing (CN)

Primary Examiner — Cynthia Ramirez
(74) *Attorney, Agent, or Firm* — Morgan, Lewis & Bockius LLP

(**) Term: **15 Years**

(57) **CLAIM**

(21) Appl. No.: **35/517,318**

The ornamental design for a handheld floor washing appliance, as shown and described.

(22) Filed: **Feb. 7, 2023**

DESCRIPTION

(80) **Hague Agreement Data**

Int. Filing Date: **Feb. 7, 2023**
Int. Reg. No.: **DM/228974**
Int. Reg. Date: **Feb. 7, 2023**
Int. Reg. Pub. Date: **May 26, 2023**

1.1 is a front view of a first handheld floor washing appliance;
1.2 is a back view thereof;
1.3 is a left view thereof;
1.4 is a right view thereof;
1.5 is a top view thereof;
1.6 is an enlarged top view thereof;
1.7 is a bottom view thereof;
1.8 is an enlarged bottom view thereof;
1.9 is a front, right, top perspective view thereof;
1.10 is an enlarged view of a part denoted and marked by broken lines in **1.9**;
1.11 is a front, left, top perspective view thereof;
1.12 is a back, right, top perspective view thereof;
1.13 is a back, right, bottom perspective view thereof;
1.14 is an enlarged view of a part denoted and marked by broken lines in **1.13**;
2.1 is a front view of a second handheld floor washing appliance;
2.2 is a back view thereof;
2.3 is a left view thereof;
2.4 is a right view thereof;
2.5 is a top view thereof;

(30) **Foreign Application Priority Data**

Aug. 31, 2022 (CN) 202230571643.7

(51) **LOC (14) Cl.** **15-05**

(52) **U.S. Cl.**
USPC **D32/22**

(58) **Field of Classification Search**
USPC D32/21, 22, 23, 24
See application file for complete search history.

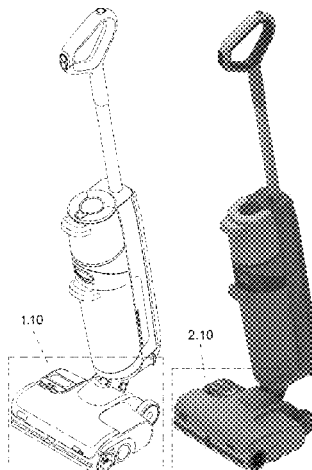
(56) **References Cited**

U.S. PATENT DOCUMENTS

D662,677 S * 6/2012 Bilger D32/22
D877,430 S * 3/2020 Hooley D32/22

(Continued)

(Continued)



2.6 is an enlarged top view thereof;
 2.7 is a bottom view thereof;
 2.8 is an enlarged bottom view thereof;
 2.9 is a front, right, top perspective view thereof;
 2.10 is an enlarged view of a part denoted and marked by broken lines in 2.9;
 2.11 is a front, left, top perspective view thereof;
 2.12 is a back, right, top perspective view thereof;
 2.13 is a back, right, bottom perspective view thereof; and
 2.14 is an enlarged view of a part denoted and marked by broken lines in 2.13.
 The broken lines in the drawings are used only for indication purpose and form no part of the claimed design.

1 Claim, 18 Drawing Sheets

D983,472	S *	4/2023	Wang	D32/22
D990,079	S *	6/2023	Liu	D32/22
D993,556	S *	7/2023	Hu	D32/22
D995,966	S *	8/2023	Hu	D32/22
D996,756	S *	8/2023	Bloemendaal	D32/32
D998,269	S *	9/2023	Luo	D32/22
D1,013,305	S *	1/2024	Gao	D32/22
2015/0143659	A1 *	5/2015	Pilch	A47L 9/325 15/347
2016/0045090	A1 *	2/2016	Pilch	H02P 6/28 15/328
2016/0045091	A1 *	2/2016	Gu	A47L 5/30 15/49.1
2020/0060499	A1 *	2/2020	Davila	A47L 11/4044
2020/0060503	A1 *	2/2020	Davila	A47L 11/201
2021/0393102	A1 *	12/2021	Bian	A47L 11/4041
2022/0273147	A1 *	9/2022	Davila	A47L 9/062
2023/0218135	A1 *	7/2023	DeJonge	A47L 11/34 15/320
2023/0337876	A1 *	10/2023	Paula	A47L 5/30
2023/0346186	A1 *	11/2023	Nguyen	A47L 11/302

(56)

References Cited

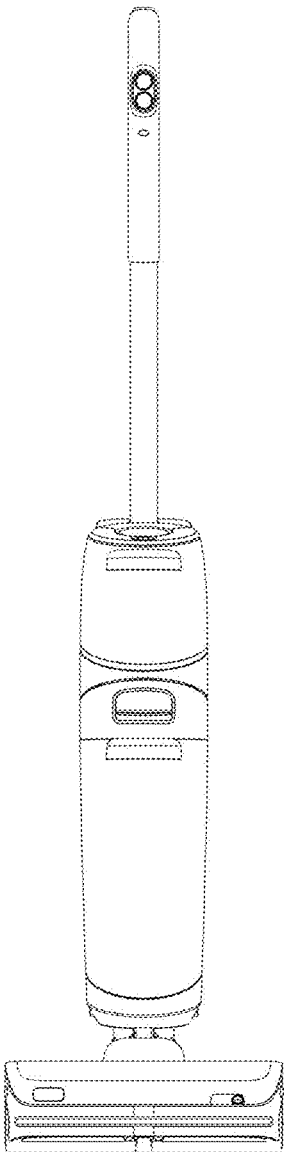
U.S. PATENT DOCUMENTS

D929,053	S *	8/2021	Dong	D32/22
D940,972	S *	1/2022	Pei	D32/22
D952,275	S *	5/2022	Chei	D32/22
D962,568	S *	8/2022	Chan	D32/22
D970,833	S *	11/2022	Ying	D32/22

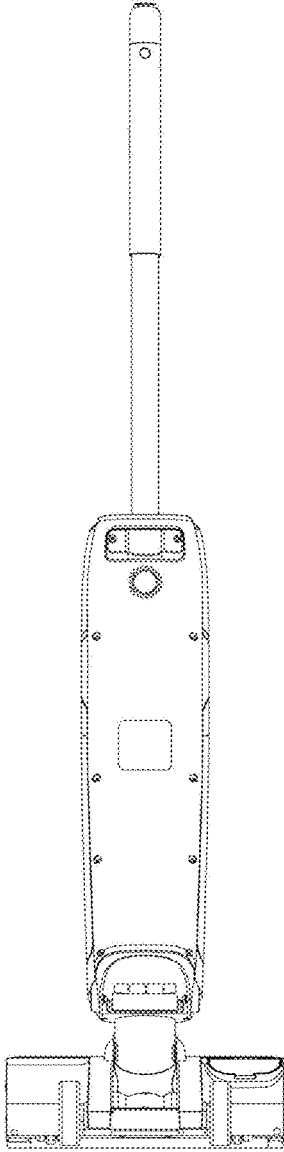
FOREIGN PATENT DOCUMENTS

CN	306321958	S	2/2021
CN	306570703	S	5/2021
CN	306604304	S	6/2021
CN	306604305	S	6/2021
CN	306638394	S	6/2021

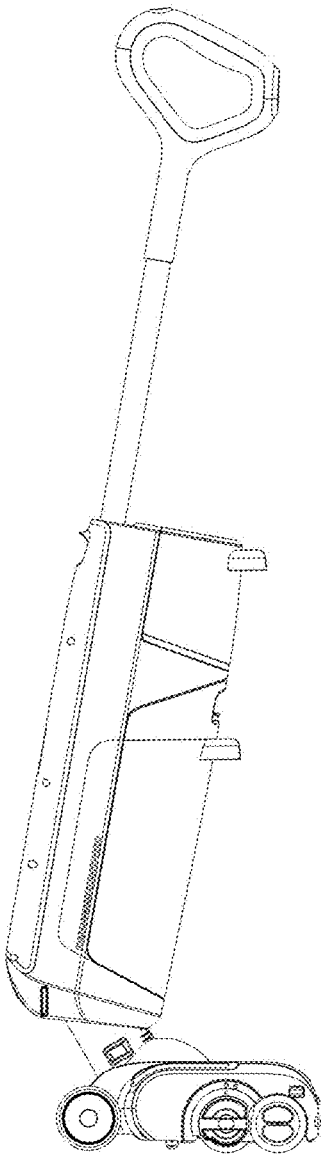
* cited by examiner



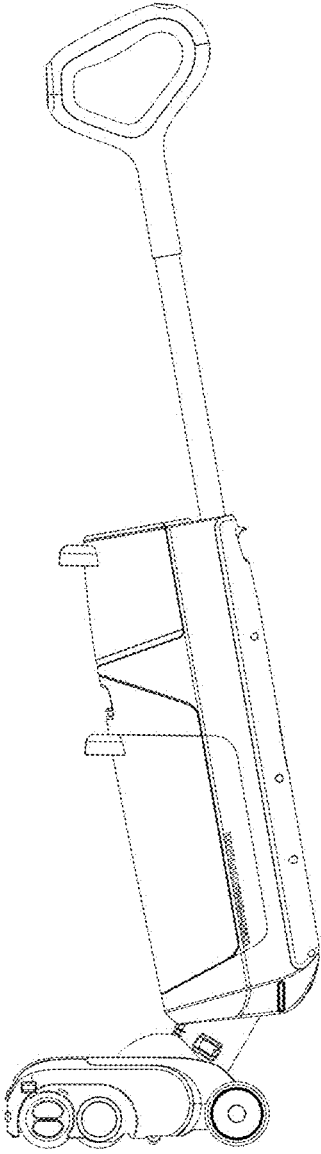
1.1



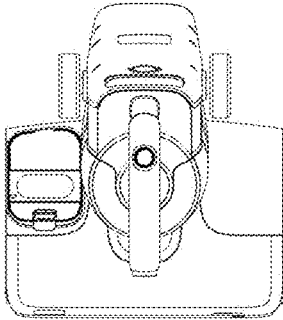
1.2



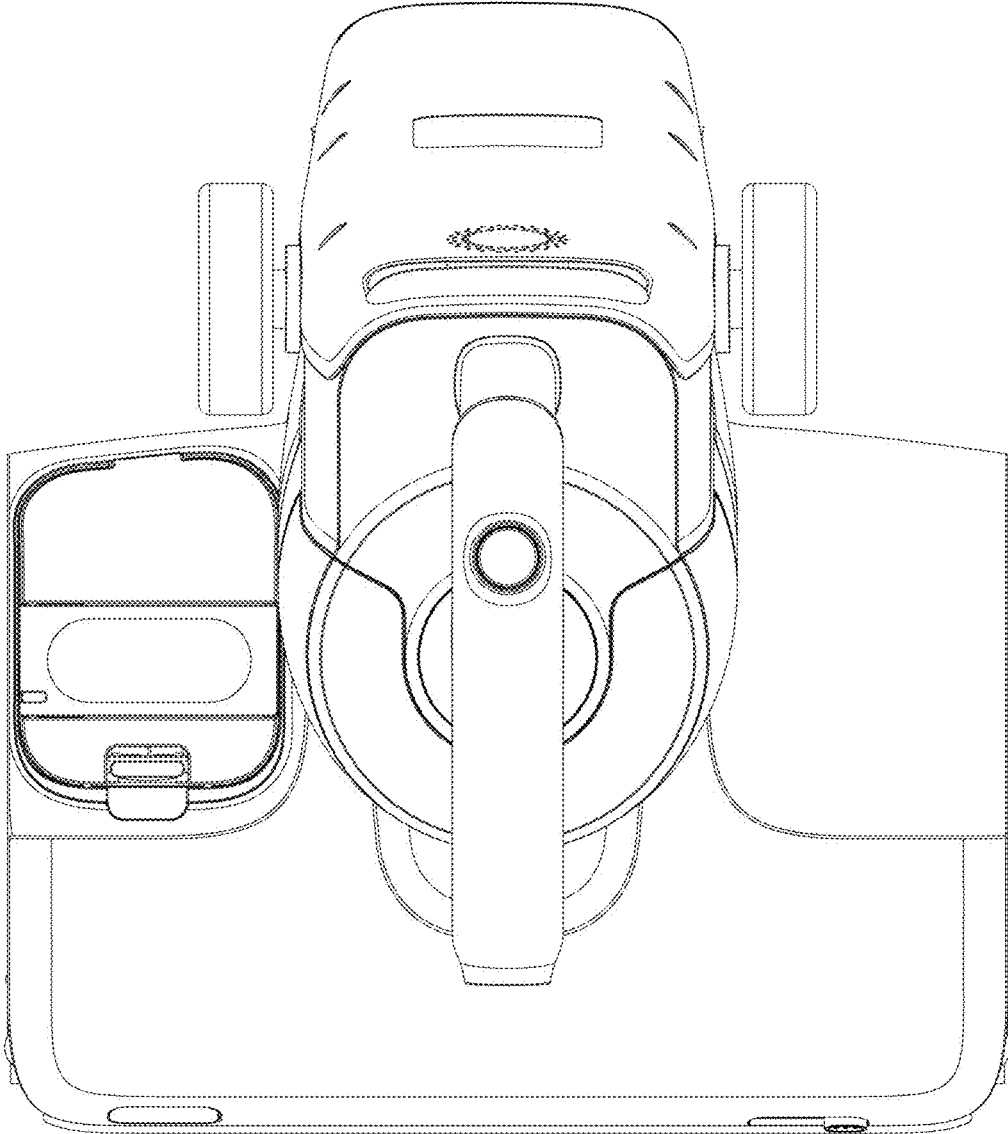
1.3



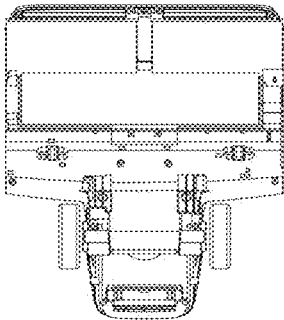
1.4



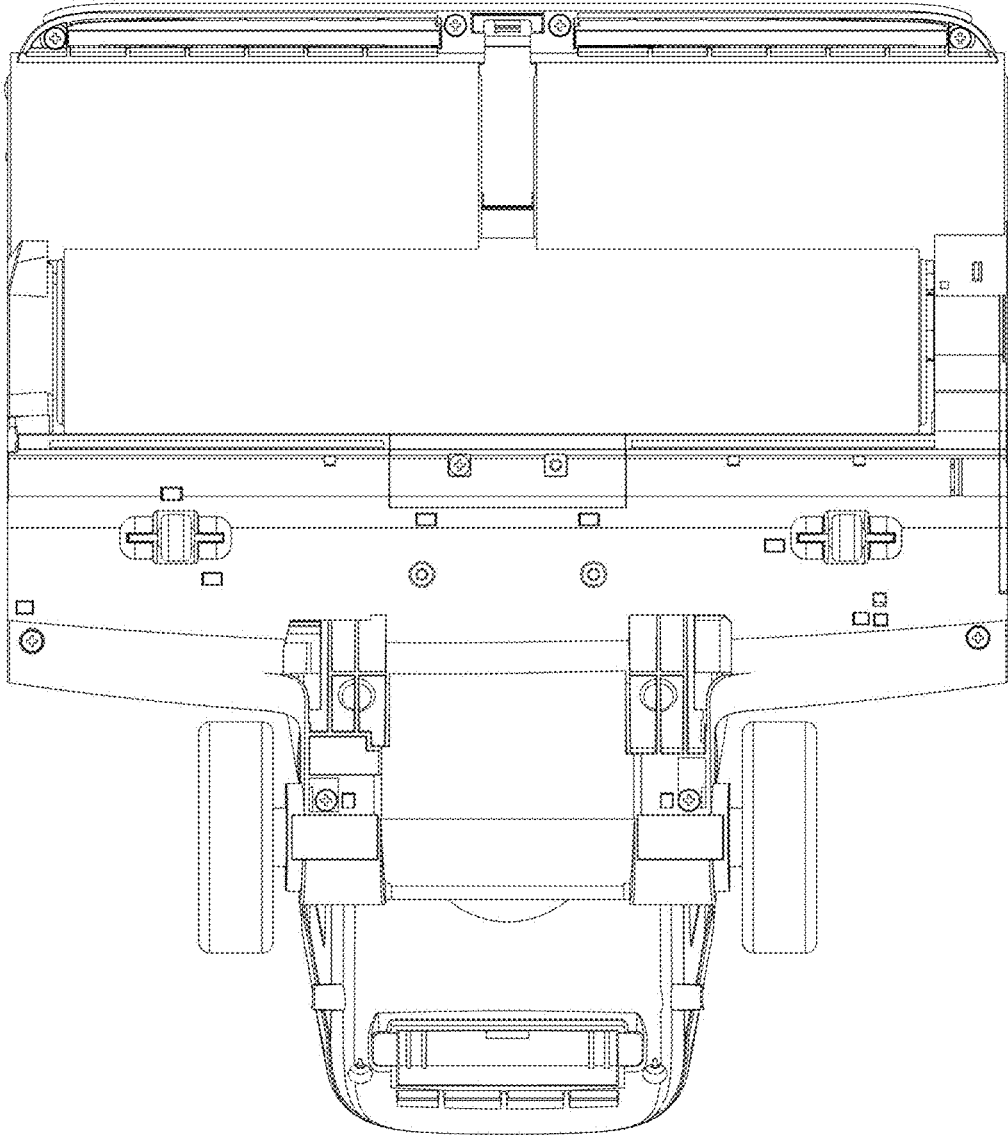
1.5



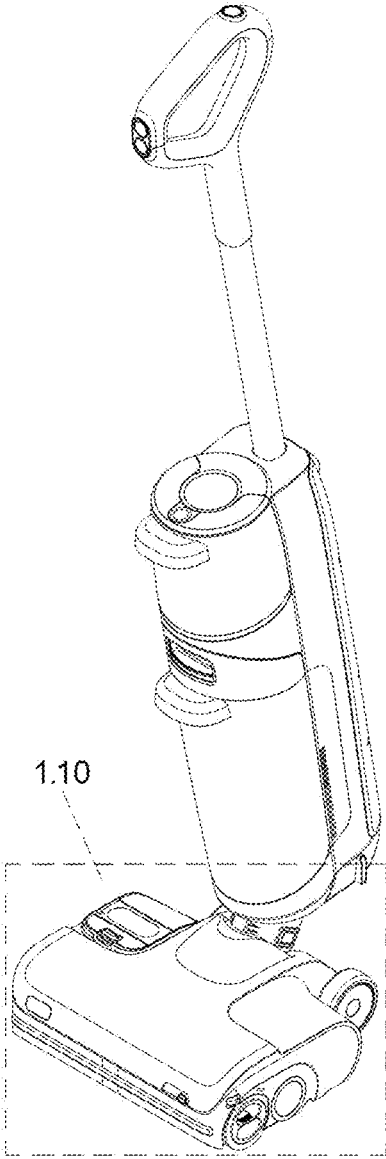
1.6



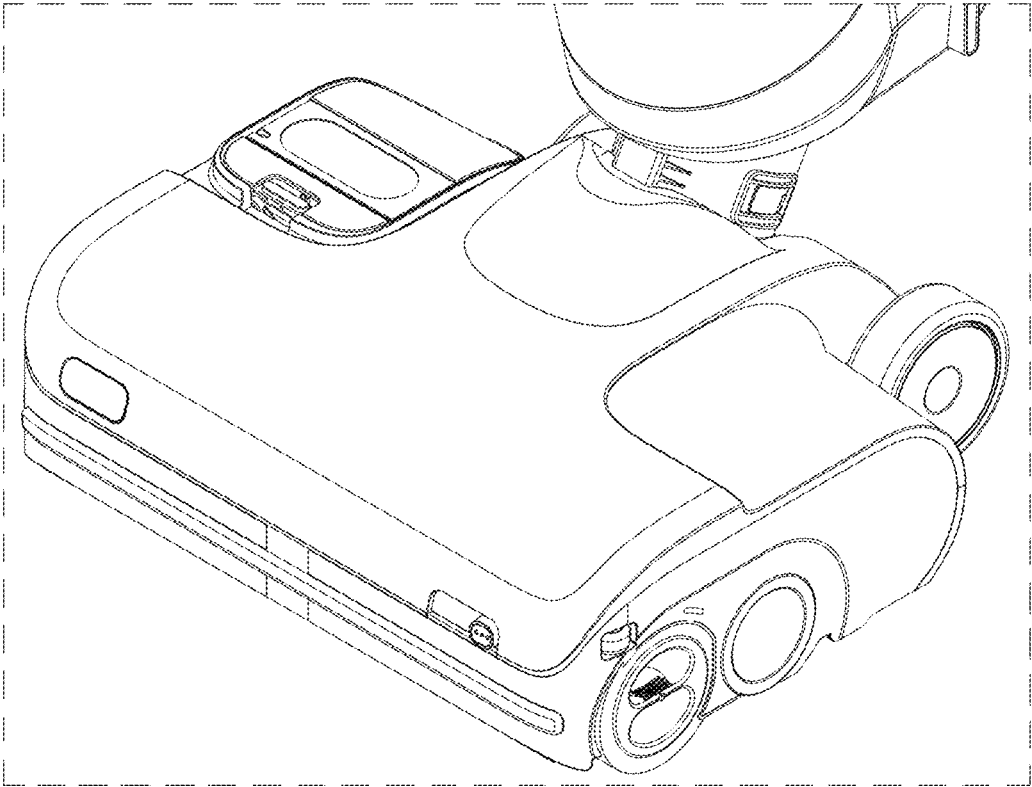
1.7



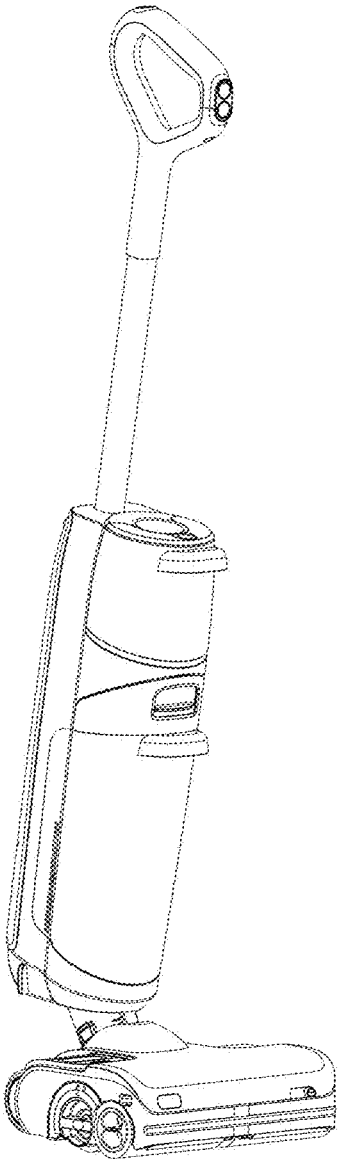
1.8



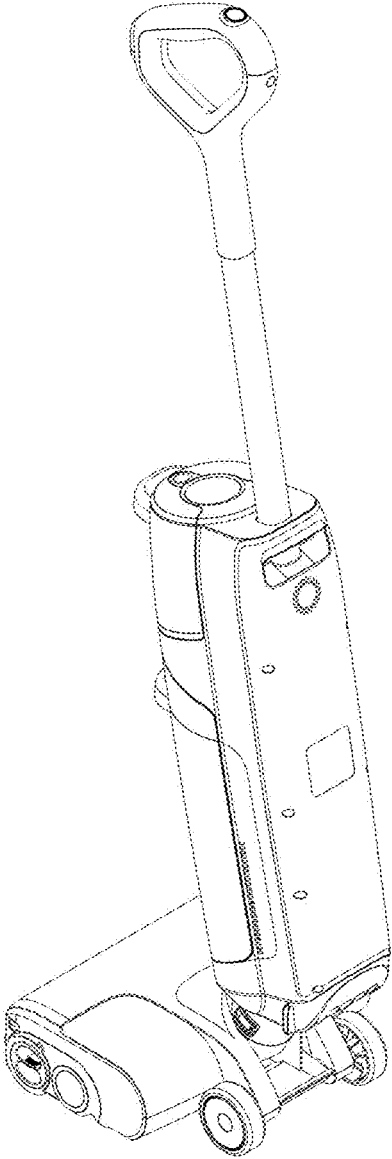
1.9



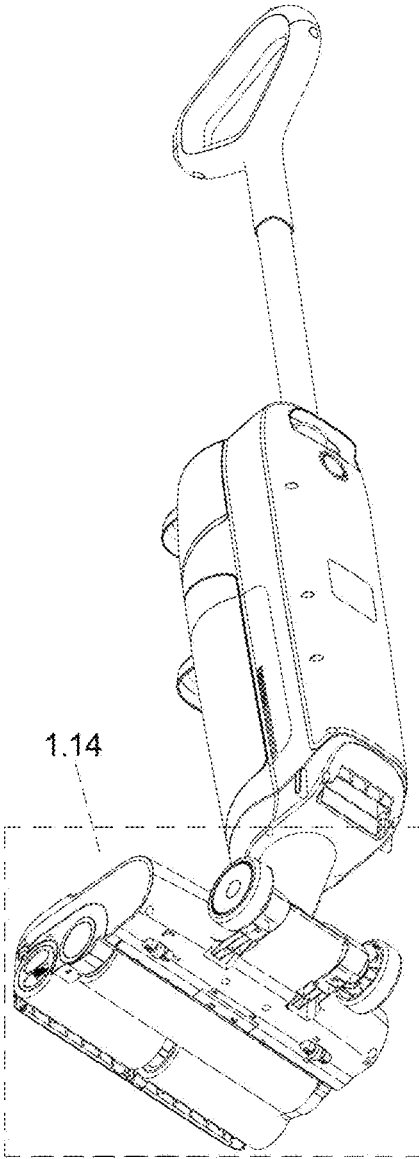
1.10



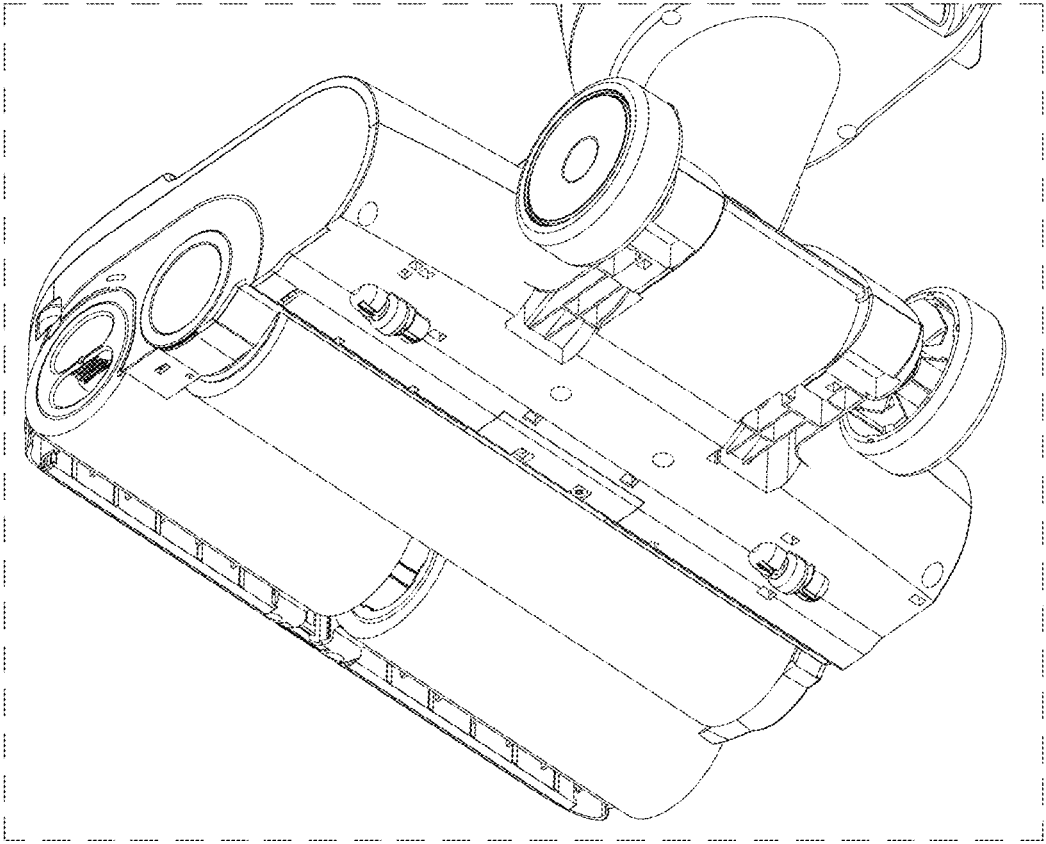
1.11



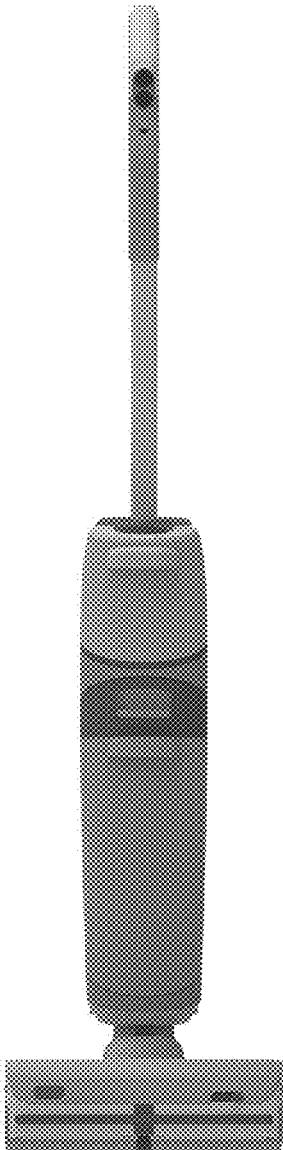
1.12



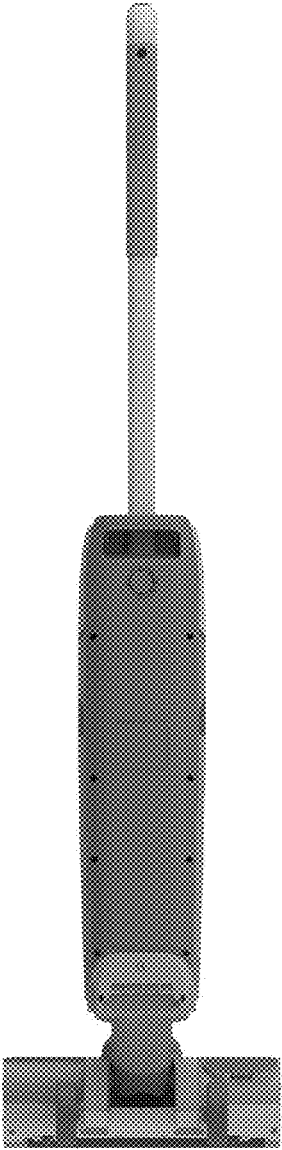
1.13



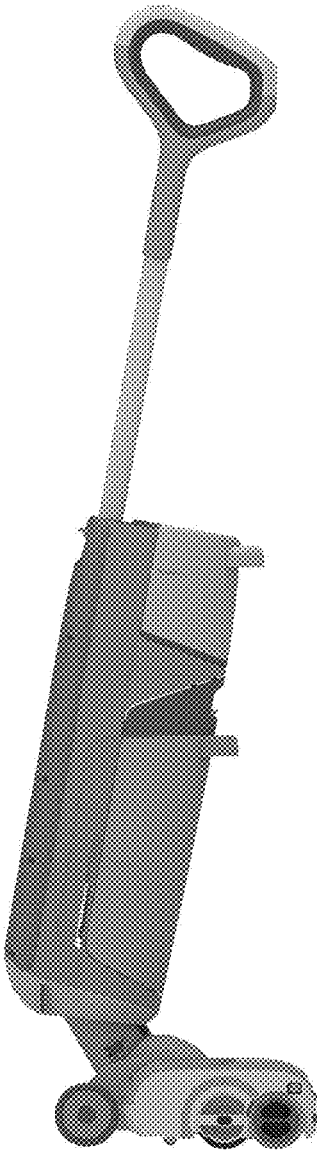
1.14



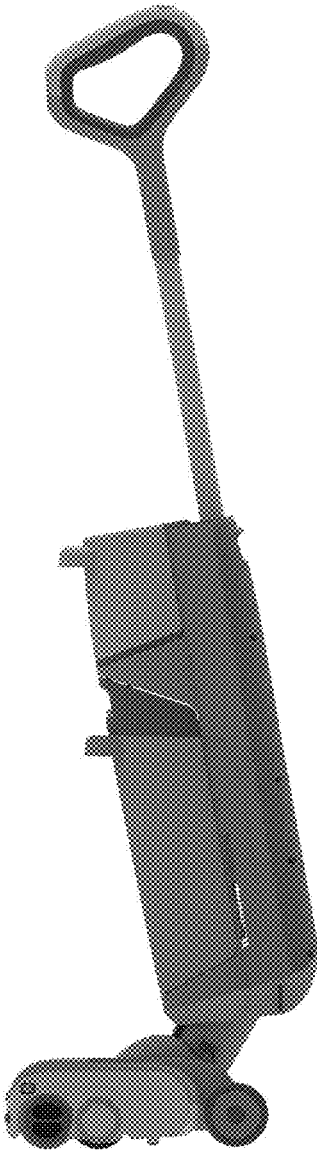
2.1



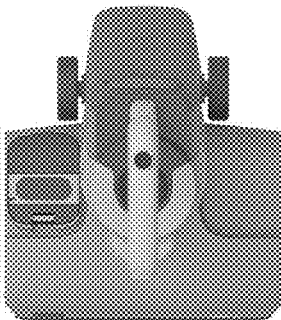
2.2



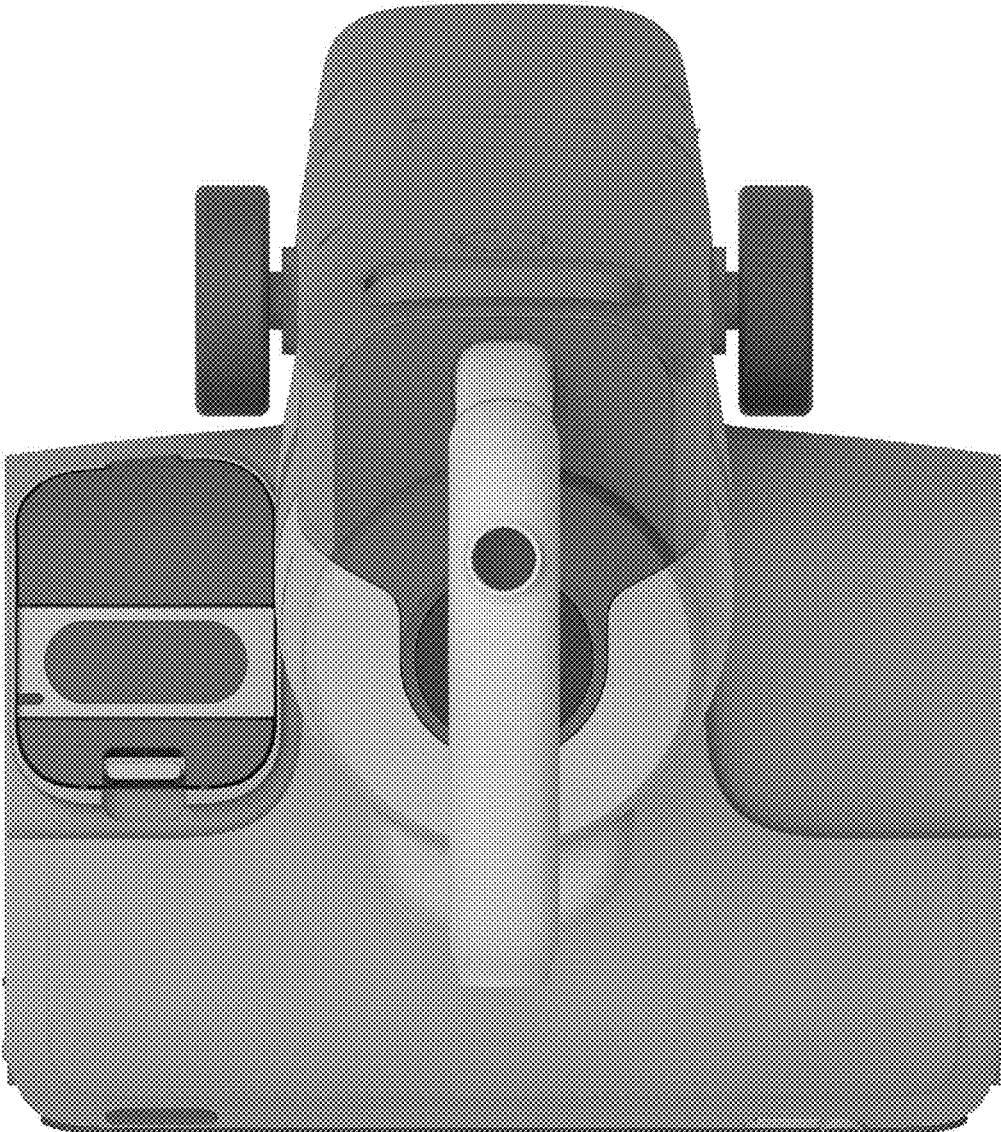
2.3



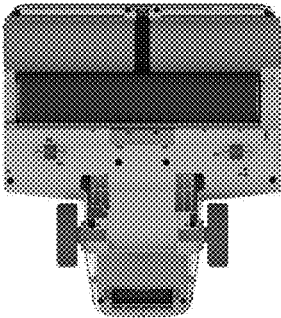
2.4



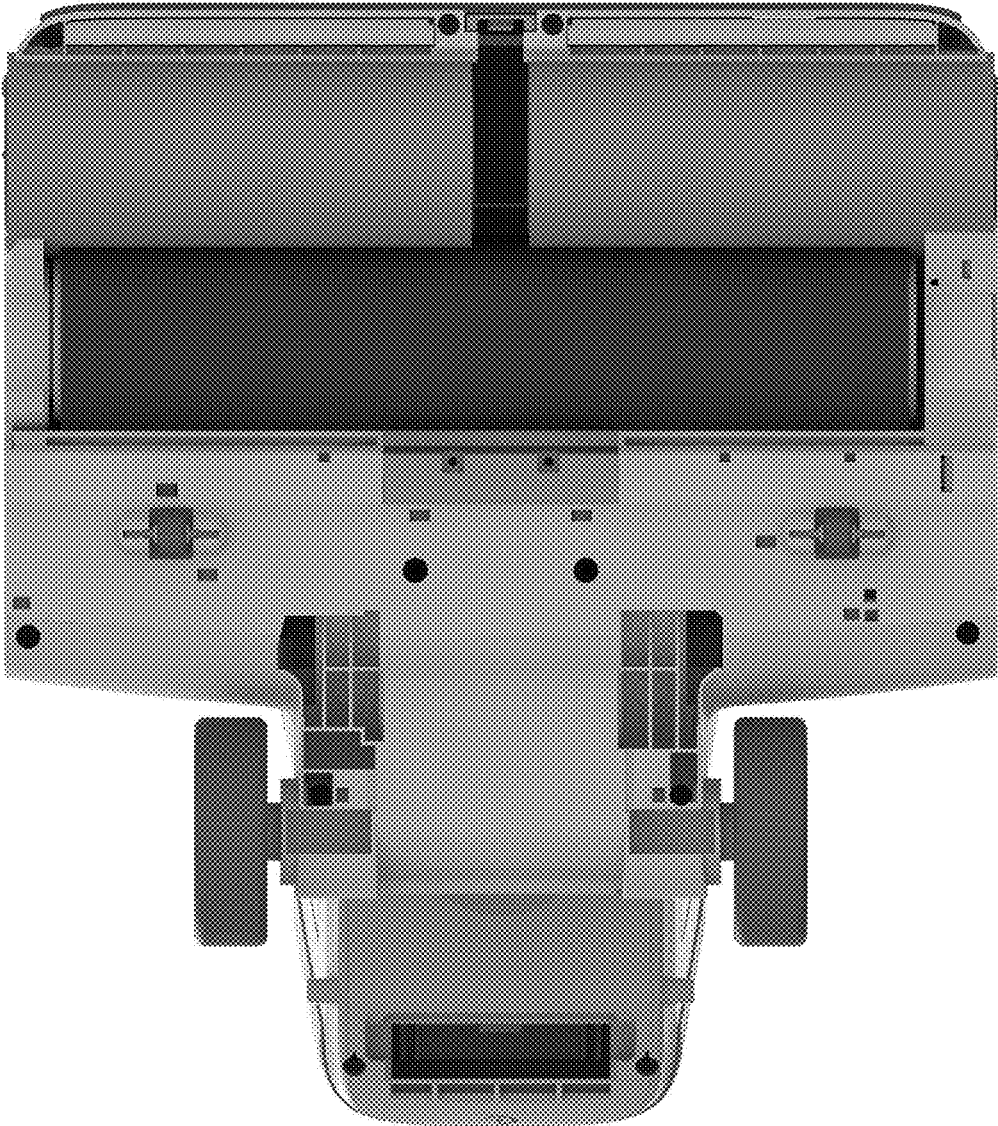
2.5



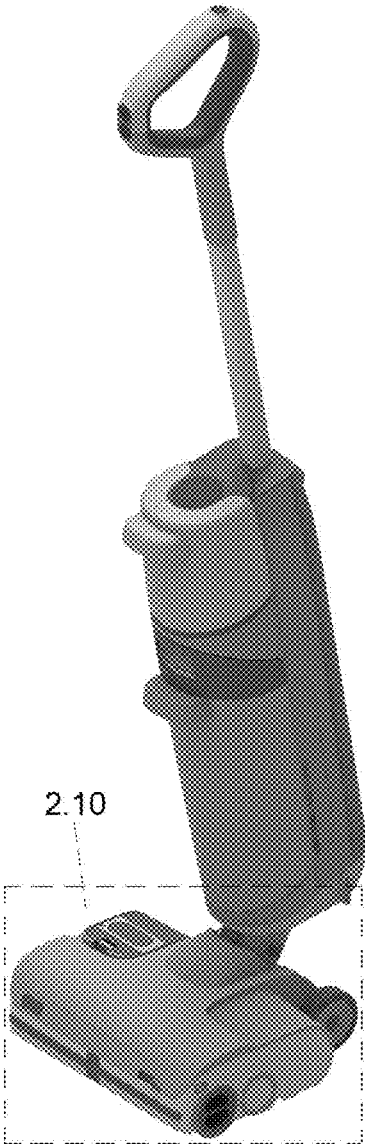
2.6



2.7

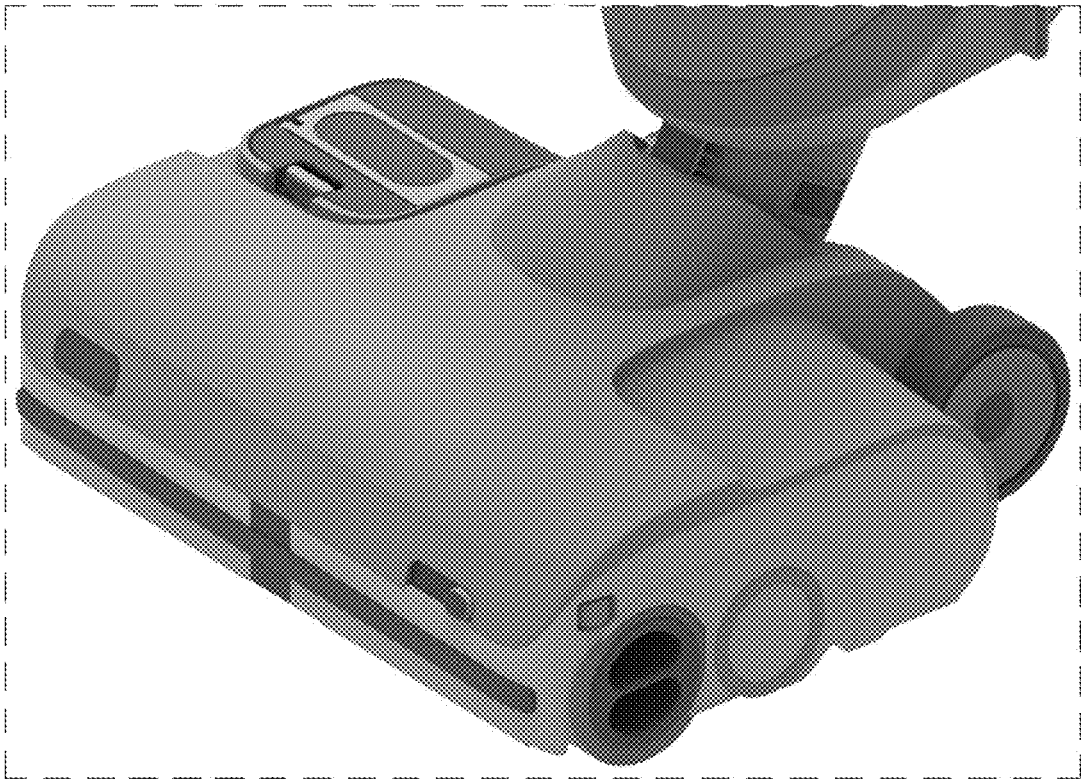


2.8

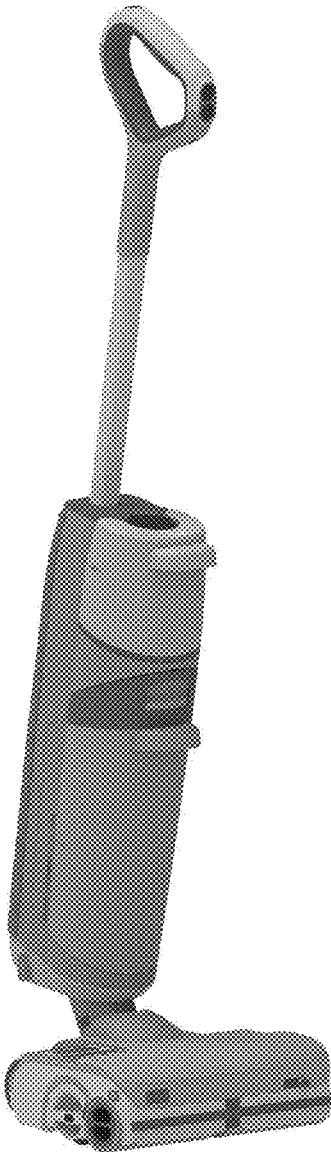


2.10

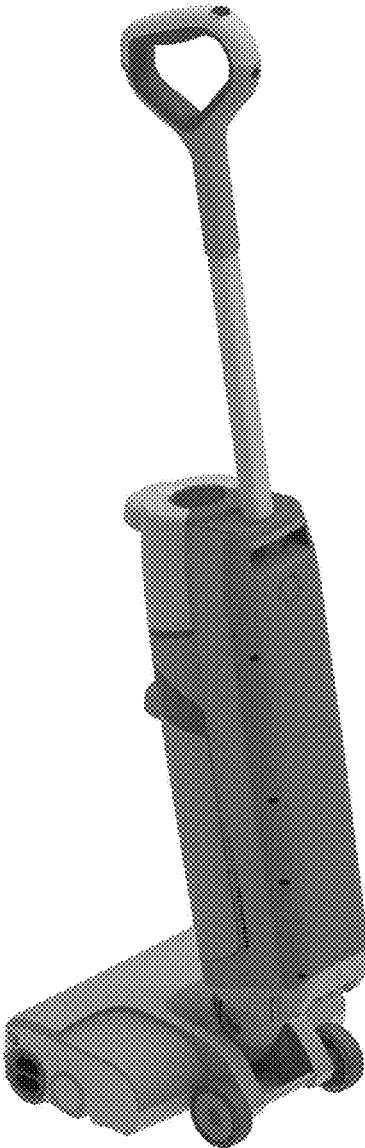
2.9



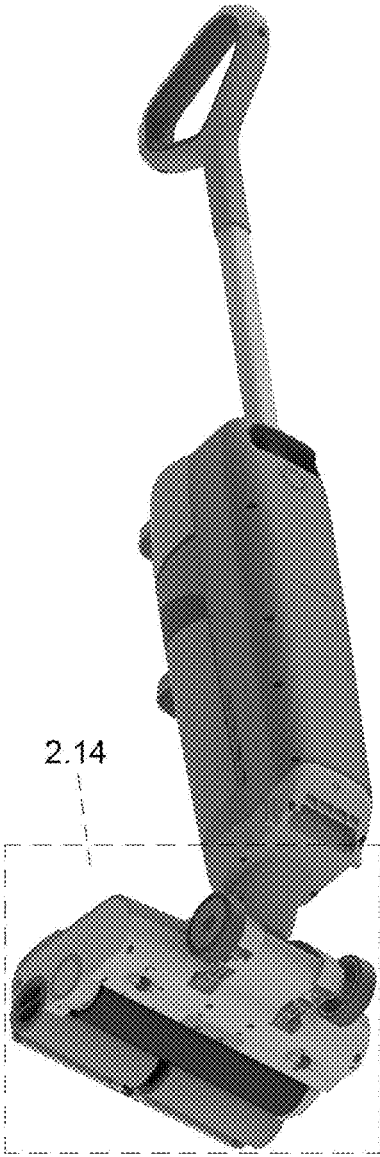
2.10



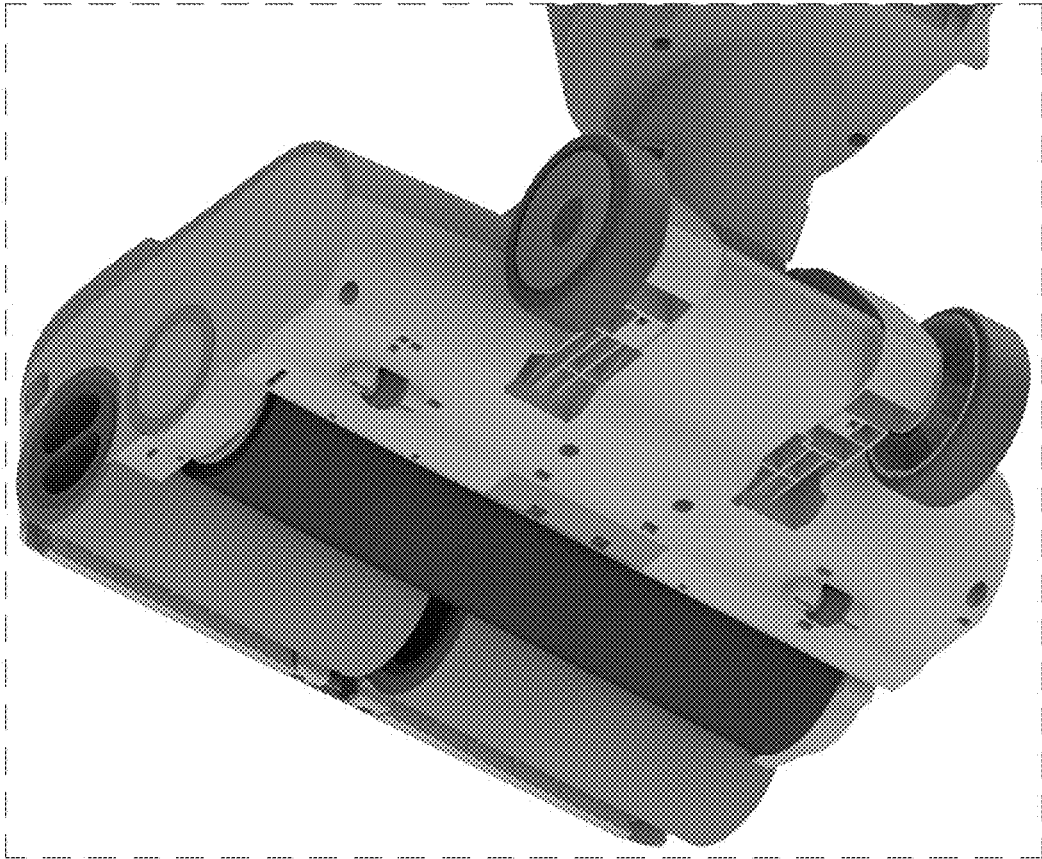
2.11



2.12



2.13



2.14