



US00D890272S

(12) **United States Design Patent**
Thompson

(10) **Patent No.:** **US D890,272 S**
(45) **Date of Patent:** **** Jul. 14, 2020**

(54) **EXERCISE EQUIPMENT**
(71) Applicant: **Bradley Kent Thompson**, Broomfield,
CO (US)
(72) Inventor: **Bradley Kent Thompson**, Broomfield,
CO (US)
(**) Term: **15 Years**
(21) Appl. No.: **29/729,179**

6,692,417 B2 * 2/2004 Burrell A63B 21/00047
482/141
D526,692 S 8/2006 Ayton
7,131,937 B2 * 11/2006 Skilken A63B 21/06
482/93
D578,582 S * 10/2008 Gomez D21/686
D590,032 S 4/2009 Webber
7,785,233 B1 8/2010 Moore
D665,831 S 8/2012 Harder
D686,287 S * 7/2013 Boatwright D21/686
8,834,327 B1 * 9/2014 George, Jr. A63B 23/1218
482/141
D781,971 S 3/2017 Hsieh
(Continued)

(22) Filed: **Mar. 24, 2020**
(51) **LOC (12) Cl.** **21-02**
(52) **U.S. Cl.**
USPC **D21/686**
(58) **Field of Classification Search**
USPC D6/656.1, 552, 549, 548; D21/827, 826,
D21/797, 694, 691, 690, 686, 679, 673,
D21/665, 662; 482/96, 95, 94, 93, 92,
482/87, 8, 77, 41, 40, 38, 36, 35, 2, 148,
482/147, 144, 142, 141, 140, 135, 133,
482/132, 130, 128, 104, 101; 472/136,
472/118
CPC A63B 21/4035; A63B 21/0552; A63B
23/0211; A63B 2210/50; A63B 21/0628;
A63B 23/1209; A63B 21/068; Y10S
482/908
See application file for complete search history.

FOREIGN PATENT DOCUMENTS

EM DM/101 782 7/2018
Primary Examiner — Ryan Harvey

(57) **CLAIM**

The ornamental design for exercise equipment, as shown and described.

DESCRIPTION

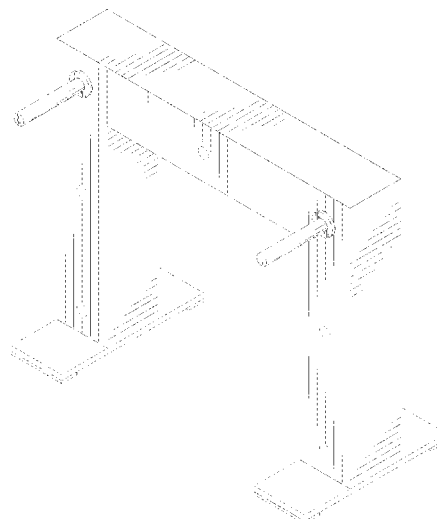
FIG. 1 is a top left front perspective view of exercise equipment showing my new design;
FIG. 2 is a bottom right rear perspective view thereof;
FIG. 3 is a front elevational view thereof;
FIG. 4 is a rear elevational view thereof;
FIG. 5 is a top plan view thereof;
FIG. 6 is a bottom plan view thereof;
FIG. 7 is a left elevational view thereof;
FIG. 8 is a right elevational view thereof; and,
FIG. 9 is a top left front perspective view of the present invention in an alternate configuration.
The broken lines in FIGS. 1-9 is included for the purpose of illustrating environmental structure and forms no part of the claimed design.

1 Claim, 9 Drawing Sheets

(56) **References Cited**

U.S. PATENT DOCUMENTS

4,564,193 A 1/1986 Stewart
4,620,701 A 11/1986 Mojden
D290,033 S * 5/1987 Policastro D21/691
D320,823 S * 10/1991 Tanner D21/686
5,176,602 A 1/1993 Roberts
5,776,037 A 7/1998 Millington
5,971,897 A * 10/1999 Olson A63B 21/0626
482/101
6,248,048 B1 * 6/2001 Zuckerman A63B 21/00047
482/141
D480,772 S * 10/2003 Washington D21/686



(56)

References Cited

U.S. PATENT DOCUMENTS

9,895,564	B1 *	2/2018	Katz	A63B 17/02
2004/0110608	A1 *	6/2004	Washington	A63B 21/0023
				482/96
2013/0065738	A1 *	3/2013	Henniger	A63B 21/0728
				482/104
2013/0225372	A1 *	8/2013	Rochford	A63B 21/0442
				482/38
2013/0237394	A1 *	9/2013	Fowler	A63B 23/1236
				482/142
2013/0324383	A1 *	12/2013	Rogers	A63B 23/1218
				482/142
2017/0120099	A1 *	5/2017	Biddix, Jr.	A63B 21/068
2017/0144008	A1 *	5/2017	Brown	A63B 23/1227
2018/0178051	A1 *	6/2018	Shaw, Jr.	A63B 21/4029
2018/0326250	A1 *	11/2018	Henniger	A63B 23/1218

* cited by examiner

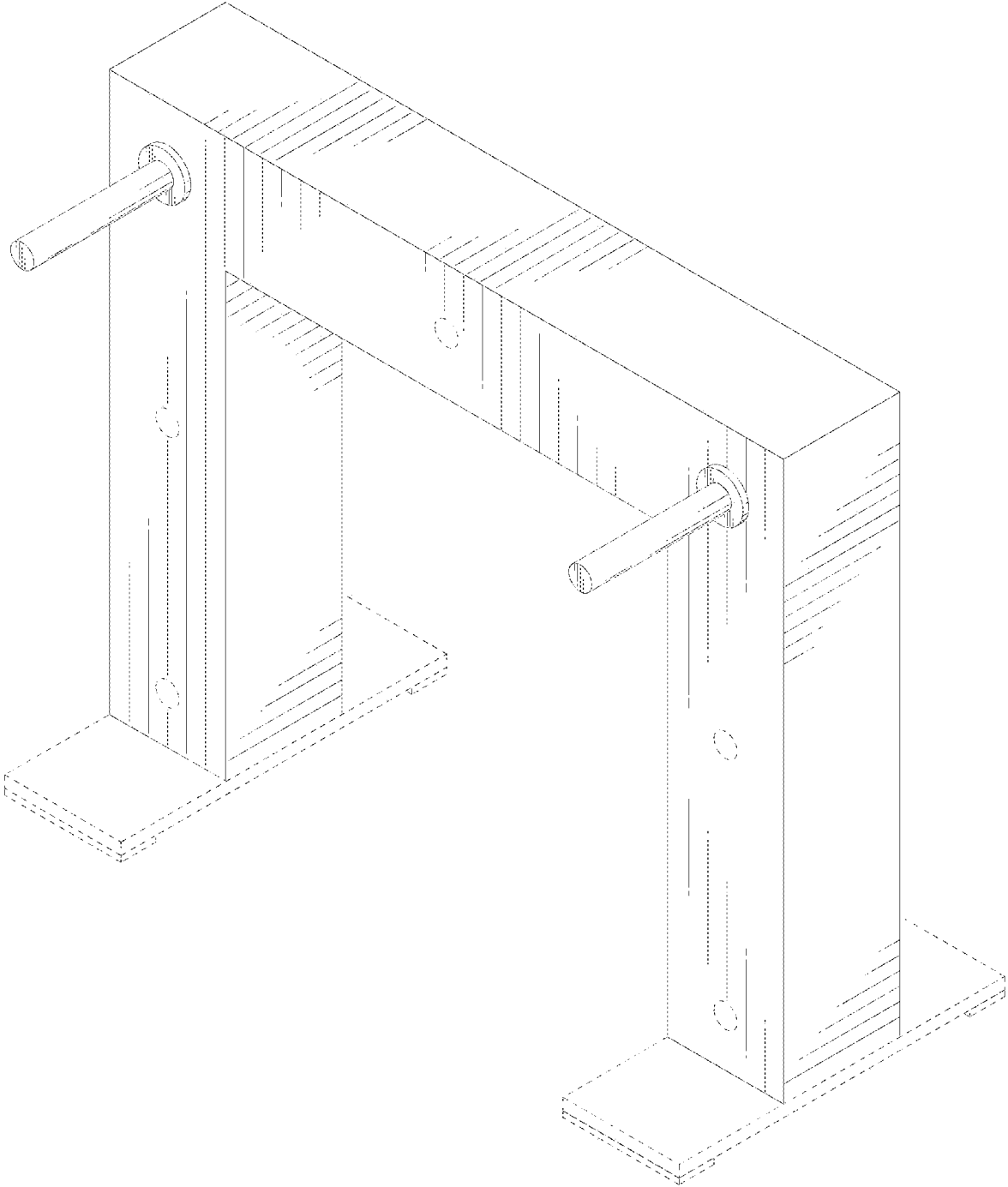


FIG. 1

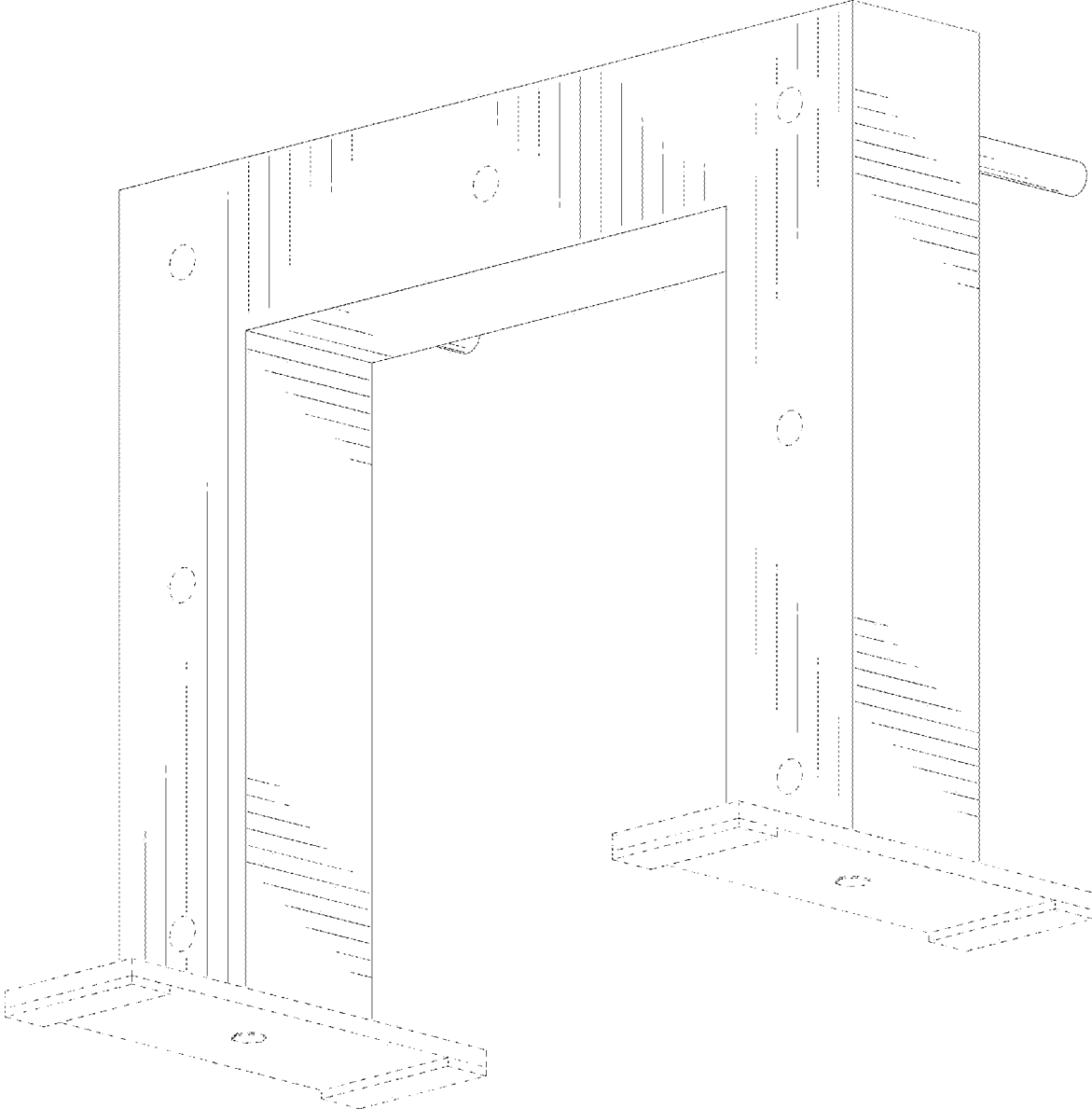


FIG. 2

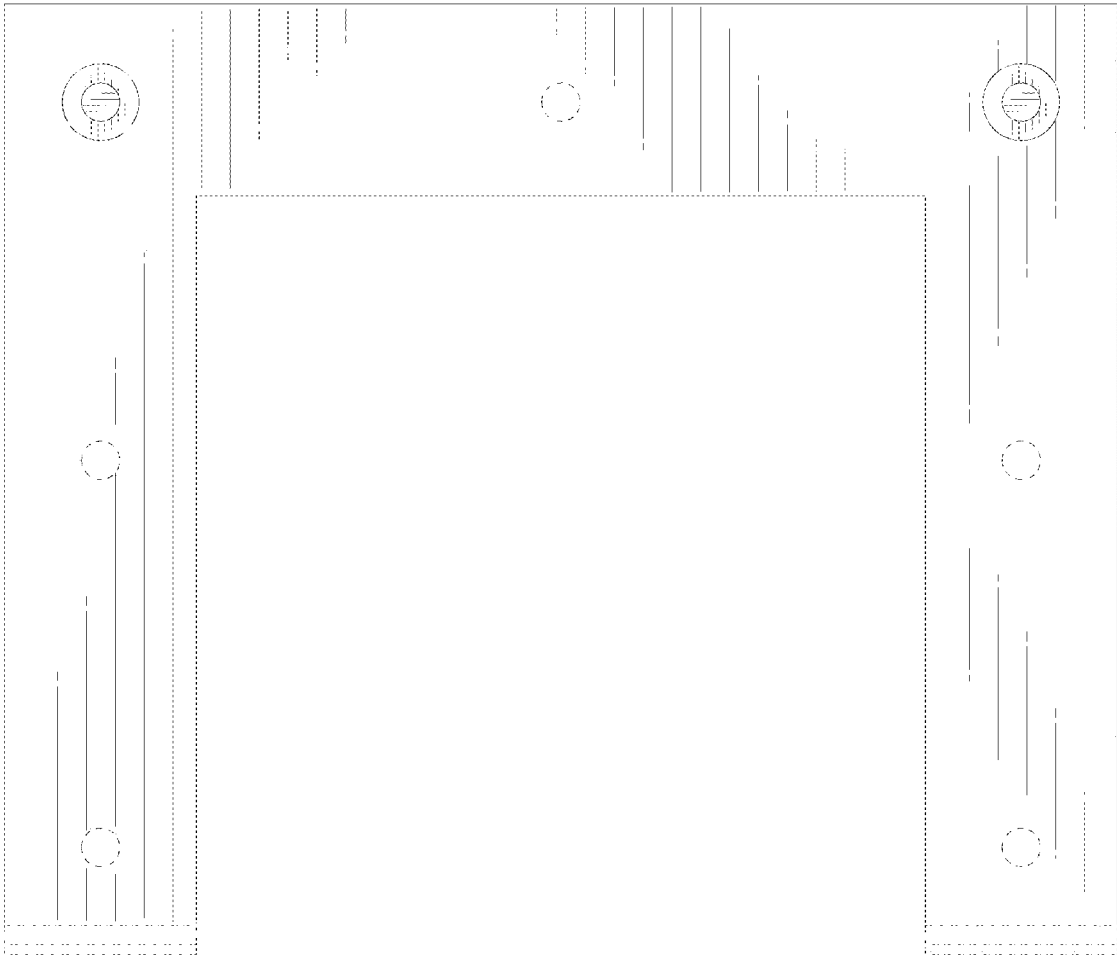


FIG. 3

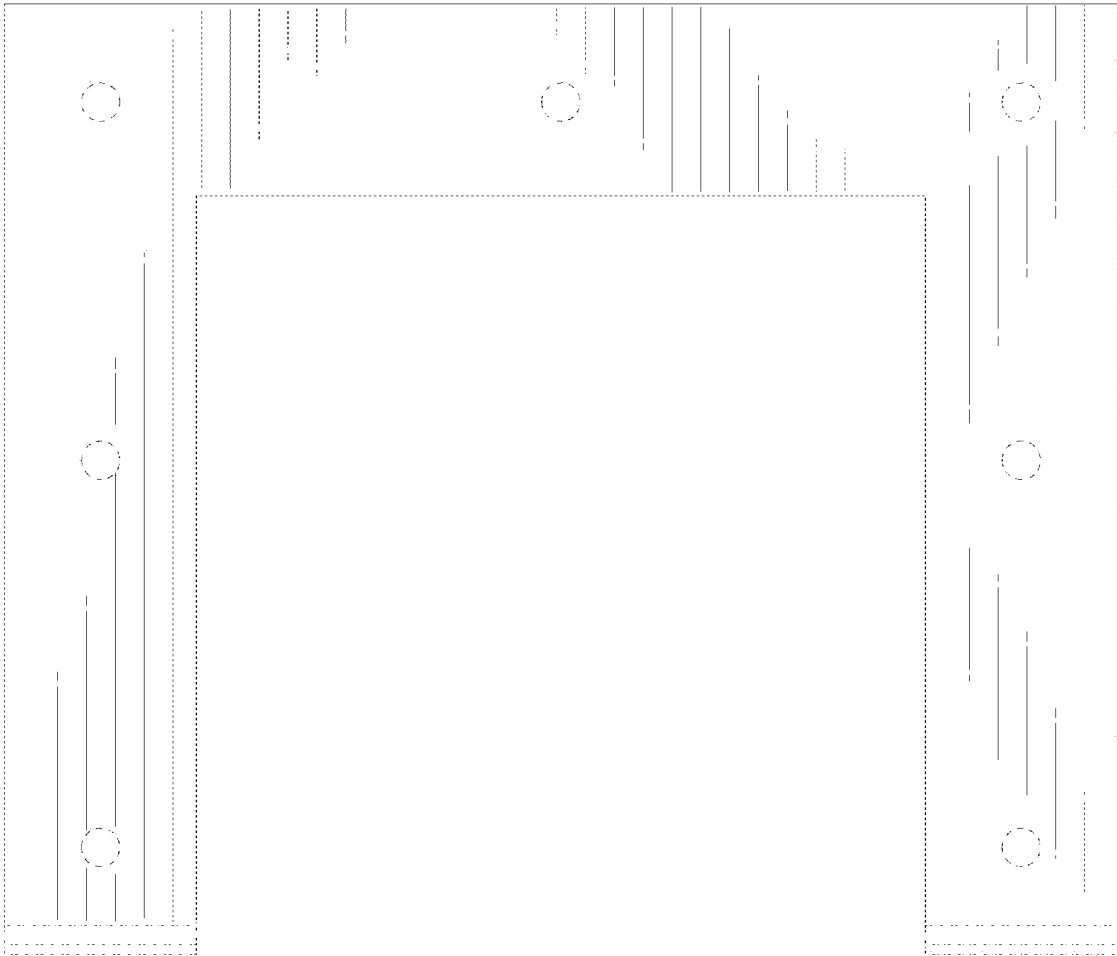


FIG. 4

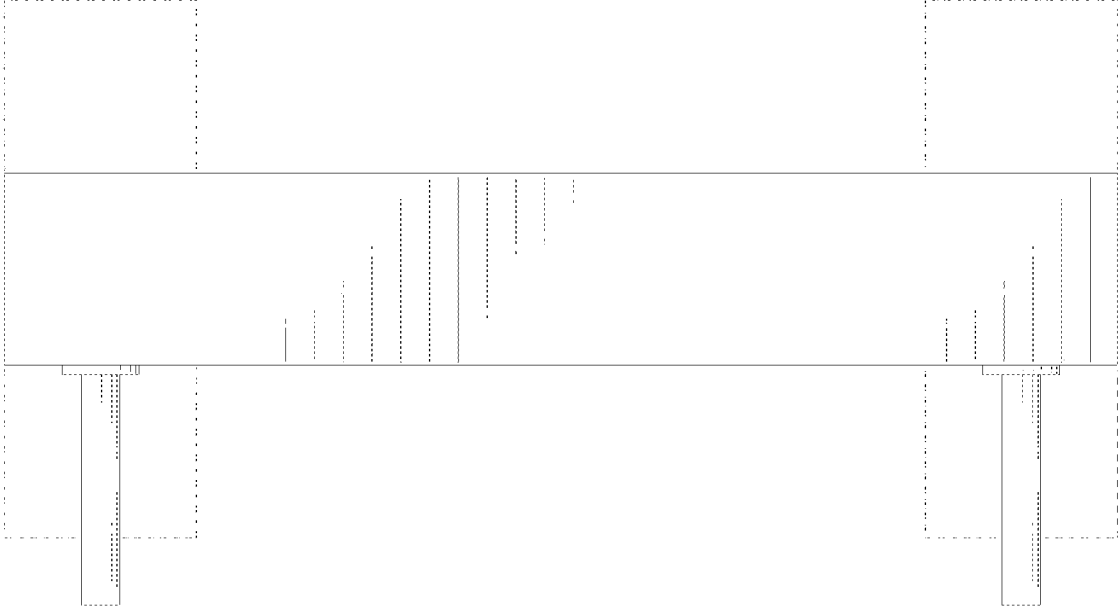


FIG. 5

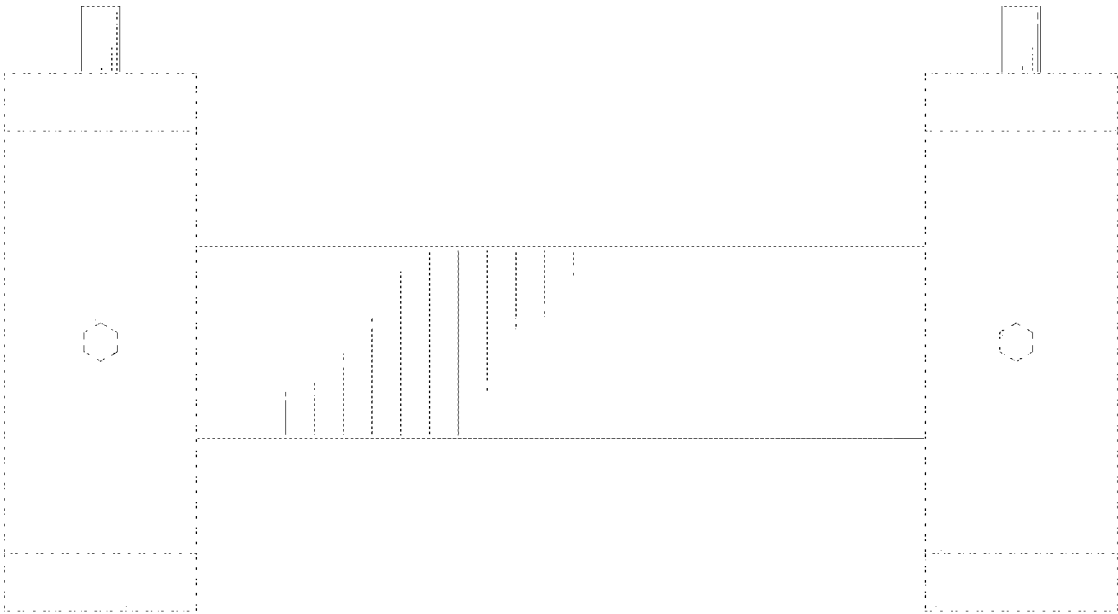


FIG. 6

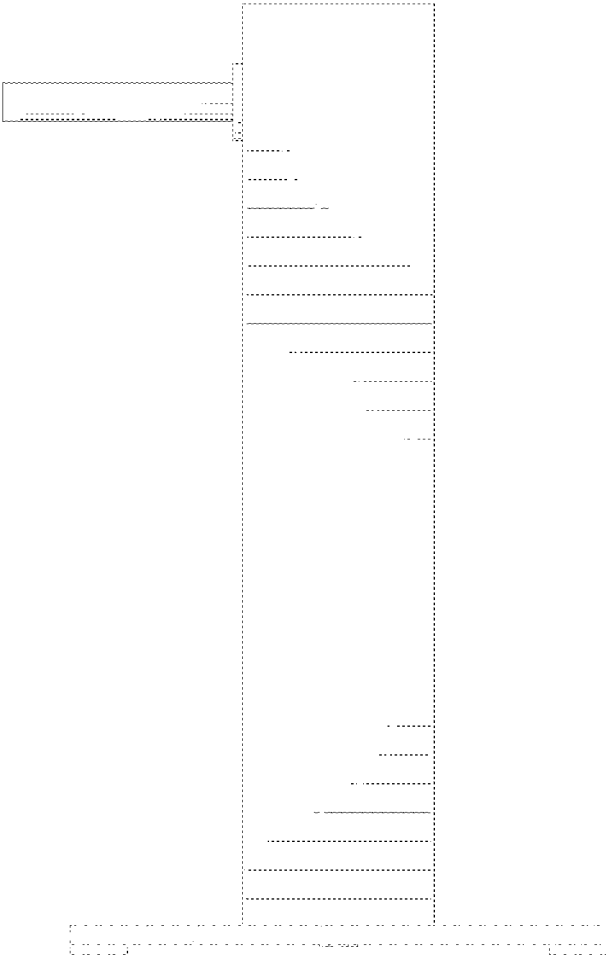


FIG. 7

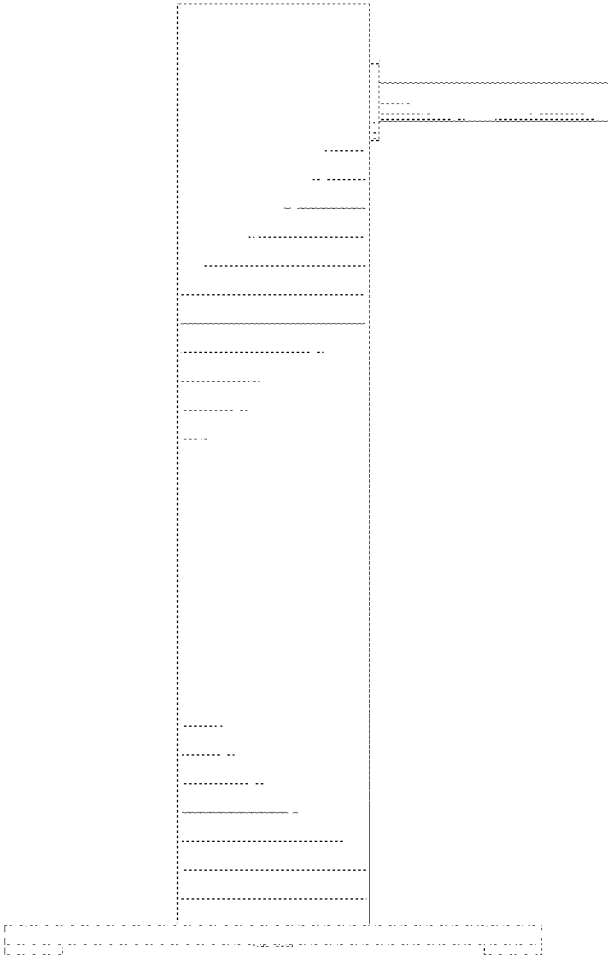


FIG. 8

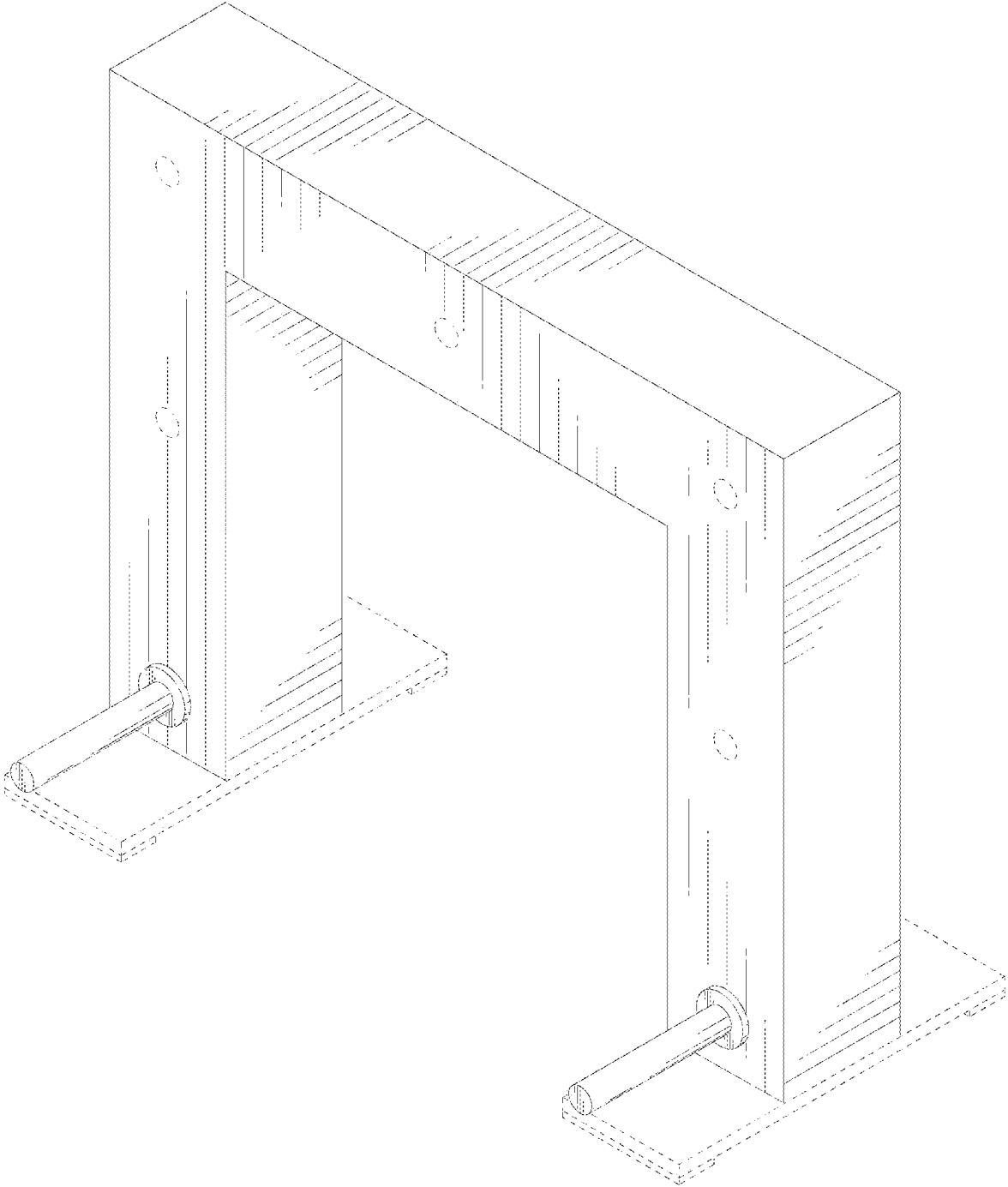


FIG. 9