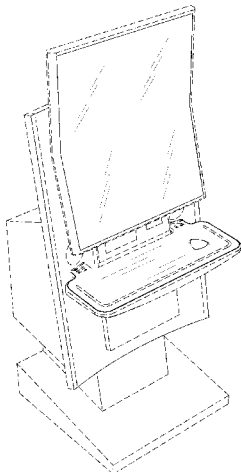




US00D907121S

(12) **United States Design Patent** (10) **Patent No.:** **US D907,121 S**  
**DeMarco et al.** (45) **Date of Patent:** **\*\* Jan. 5, 2021**

- (54) **GAMING MACHINE** D464,377 S 10/2002 Wurz  
D479,243 S 9/2003 Ohashi  
(71) Applicant: **ARISTOCRAT TECHNOLOGIES** D508,719 S 8/2005 de Haas  
**AUSTRALIA PTY LIMITED**, North D513,044 S 12/2005 Morrison  
Ryde (AU) 6,997,810 B2 2/2006 Cole  
D531,677 S 11/2006 Mallory  
D546,893 S 7/2007 Yamashita  
(72) Inventors: **Dominic J. DeMarco**, Round Rock, TX D560,724 S \* 1/2008 Johnson ..... D21/329  
(US); **Bruce Edward Urban**, Las D560,725 S \* 1/2008 Johnson ..... D21/329  
Vegas, NV (US); **James Franklin** D562,338 S 2/2008 Keohane  
**Stair**, Las Vegas, NV (US); **Daniel** D572,314 S 7/2008 Vallejo  
**Harden**, Palo Alto, CA (US); **Jase** D579,456 S 10/2008 Chen  
**Ruggles**, San Francisco, CA (US) D587,319 S 2/2009 Moises Deiab  
D599,858 S 9/2009 Lesley  
D599,859 S 9/2009 Lesley  
D604,773 S 11/2009 De Viveiros Ortiz  
(73) Assignee: **ARISTOCRAT TECHNOLOGIES** D612,432 S 3/2010 De Viveiros Ortiz  
**AUSTRALIA PTY LIMITED**, North D613,802 S 4/2010 Meyers  
Ryde (AU) D619,177 S 7/2010 Lee  
D622,781 S 8/2010 Lesley  
(\*\*) Term: **15 Years** D626,182 S 10/2010 Cole  
D628,208 S 11/2010 Potemski  
D646,337 S 10/2011 Kelly  
(21) Appl. No.: **29/684,809** D652,454 S 1/2012 Yopez  
D666,625 S 9/2012 Gilmore  
(22) Filed: **Mar. 25, 2019** D668,261 S 10/2012 Arnold  
D673,620 S 1/2013 Johnson  
(51) **LOC (13) Cl.** ..... **21-03** D673,621 S 1/2013 Johnson  
(52) **U.S. Cl.** D677,736 S \* 3/2013 Dorn ..... D21/370  
USPC ..... **D21/369** D678,956 S 3/2013 Lesley  
D679,722 S 4/2013 Ray  
(58) **Field of Classification Search** D685,033 S 6/2013 Wudtke  
USPC ..... D21/369, 370, 371, 385, 329, 325, 394; D689,899 S 9/2013 Lee  
D14/307, 172, 129, 325, 401, 371, 126, D691,665 S 10/2013 Chudek  
D14/439, 432, 450, 128, 375, 248, 374, D693,841 S 11/2013 Velasco  
D14/341, 138 G, 127; 463/28, 13, 11, D695,733 S 12/2013 Damhuis  
463/16, 20, 25, 31, 46, 23, 30, 17, 36, 29, D697,558 S \* 1/2014 Myers ..... D21/325  
463/42, 34, 32, 35, 19, 21, 22; 273/292, D704,273 S 5/2014 Chudek  
273/203, 138.2, 143 R, 142 R, 138.1; D706,741 S 6/2014 Myers  
D19/60; D16/226; D8/335, 331, 334; D707,646 S \* 6/2014 Kim ..... D14/138 G  
D26/141; D7/641 D713,841 S \* 9/2014 Lim ..... D14/341  
CPC ..... G07F 17/32; G07F 17/34; G07F 17/3211; 8,832,598 B2 9/2014 Hirata  
G07F 17/3244; G07F 17/3267 D719,616 S \* 12/2014 Inoue ..... D21/370  
D723,626 S 3/2015 Vasquez  
D727,431 S \* 4/2015 Themann ..... D21/370  
D728,585 S 5/2015 Lee  
D730,993 S 6/2015 Castro  
D732,520 S \* 6/2015 Themann ..... D14/307  
D734,733 S 7/2015 Park  
D736,171 S 8/2015 Lee  
D740,887 S \* 10/2015 Randazzo ..... D21/370  
D740,888 S 10/2015 DePalma  
D742,974 S \* 11/2015 Lesley ..... D21/369
- (56) **References Cited**  
U.S. PATENT DOCUMENTS  
D415,124 S 10/1999 Rooyakkers  
D428,864 S 8/2000 Rooyakkers



US D907,121 S

|               |         |                   |            |                  |         |                 |              |
|---------------|---------|-------------------|------------|------------------|---------|-----------------|--------------|
| D749,342 S *  | 2/2016  | Escandon .....    | D6/682     | D880,614 S       | 4/2020  | Bernard         |              |
| D759,096 S    | 6/2016  | Seo               |            | D880,615 S       | 4/2020  | Bernard         |              |
| D760,275 S    | 6/2016  | Zhang             |            | D881,284 S       | 4/2020  | Glenn           |              |
| D765,136 S    | 8/2016  | Lee               |            | D881,285 S       | 4/2020  | Glenn           |              |
| RE46,169 E    | 10/2016 | Kelly             |            | D882,697 S       | 4/2020  | Lesley          |              |
| D772,240 S    | 11/2016 | Edstrom           |            | 2013/0084948 A1  | 4/2013  | Watkins         |              |
| D772,273 S    | 11/2016 | Spector           |            | 2014/0335934 A1  | 11/2014 | Meyer           |              |
| D773,512 S    | 12/2016 | Miura             |            | 2015/0018070 A1* | 1/2015  | Meyer .....     | G07F 17/3267 |
| D780,852 S    | 3/2017  | Sharp             |            |                  |         |                 | 463/20       |
| D785,664 S    | 5/2017  | Yao               |            | 2015/0036073 A1  | 2/2015  | Im              |              |
| D790,563 S    | 6/2017  | Lam               |            | 2016/0093143 A1  | 3/2016  | Lamb            |              |
| 9,679,435 B2  | 6/2017  | Schrementi        |            | 2016/0195938 A1* | 7/2016  | Kim .....       | G06F 3/04886 |
| 9,704,337 B2  | 7/2017  | Riggs             |            |                  |         |                 | 345/156      |
| D794,661 S    | 8/2017  | Nishizawa         |            | 2017/0039802 A1* | 2/2017  | Prabhu .....    | G07F 17/3211 |
| D794,664 S    | 8/2017  | Okabe             |            | 2017/0046906 A1* | 2/2017  | Hilbert .....   | G07F 17/3209 |
| D801,435 S    | 10/2017 | Themann           |            | 2017/0092052 A1  | 3/2017  | McKay           |              |
| D803,323 S    | 11/2017 | Bussey            |            | 2017/0301177 A1* | 10/2017 | Pawloski .....  | G07F 17/3244 |
| D803,324 S *  | 11/2017 | Bussey .....      | D21/370    | 2018/0075689 A1  | 3/2018  | Castro          |              |
| D809,068 S    | 1/2018  | Ballman           |            | 2018/0078847 A1  | 3/2018  | Sorreta         |              |
| D809,069 S    | 1/2018  | Ballman           |            | 2018/0078854 A1  | 3/2018  | Achmueller      |              |
| D812,146 S    | 3/2018  | Castro            |            | 2018/0082523 A1  | 3/2018  | Palermo         |              |
| D812,147 S    | 3/2018  | Castro            |            | 2019/0012874 A1  | 1/2019  | Goldstein       |              |
| D812,148 S    | 3/2018  | Castro            |            | 2019/0046872 A1* | 2/2019  | Glenn, II ..... | G07F 17/32   |
| D812,149 S    | 3/2018  | Castro            |            | 2019/0096161 A1  | 3/2019  | Barbour         |              |
| D814,455 S *  | 4/2018  | Kwon .....        | D14/341    | 2019/0096170 A1  | 3/2019  | Lewis           |              |
| D816,079 S *  | 4/2018  | Yamazaki .....    | D14/341    | 2019/0096173 A1  | 3/2019  | Brandau         |              |
| D818,048 S    | 5/2018  | Calhoun           |            | 2019/0102971 A1  | 4/2019  | Schoonmaker     |              |
| D819,747 S    | 6/2018  | Castro            |            | 2019/0102974 A1  | 4/2019  | Bussey          |              |
| D820,915 S    | 6/2018  | Lee               |            | 2019/0102984 A1  | 4/2019  | Gallagher       |              |
| D826,338 S    | 8/2018  | Bussey            |            | 2019/0287337 A1  | 9/2019  | Shiraishi       |              |
| D832,356 S    | 10/2018 | Castro            |            | 2020/0111291 A1  | 4/2020  | Pariseau        |              |
| D833,534 S    | 11/2018 | Lee               |            | 2020/0111295 A1  | 4/2020  | Glenn           |              |
| D834,652 S    | 11/2018 | Lee               |            | 2020/0111296 A1  | 4/2020  | Miura           |              |
| 10,127,761 B2 | 11/2018 | Woels             |            | 2020/0111297 A1  | 4/2020  | Kazama          |              |
| 10,181,236 B2 | 1/2019  | Goldstein         |            | 2020/0111328 A1  | 4/2020  | Bland           |              |
| D843,458 S    | 3/2019  | Castro            |            |                  |         |                 |              |
| D843,467 S    | 3/2019  | Johnson           |            |                  |         |                 |              |
| D843,468 S    | 3/2019  | Johnson           |            |                  |         |                 |              |
| D843,473 S    | 3/2019  | Zedell, Jr.       |            |                  |         |                 |              |
| D843,474 S    | 3/2019  | Lesley            |            |                  |         |                 |              |
| D843,475 S    | 3/2019  | Lesley            |            |                  |         |                 |              |
| D843,476 S    | 3/2019  | Lesley            |            |                  |         |                 |              |
| D843,477 S    | 3/2019  | Lesley            |            |                  |         |                 |              |
| D843,478 S    | 3/2019  | Lesley            |            |                  |         |                 |              |
| D843,479 S    | 3/2019  | Castro            |            |                  |         |                 |              |
| D843,480 S    | 3/2019  | Castro            |            |                  |         |                 |              |
| D843,482 S    | 3/2019  | Holland           |            |                  |         |                 |              |
| D844,062 S    | 3/2019  | Lesley            |            |                  |         |                 |              |
| D846,650 S    | 4/2019  | Stair             |            |                  |         |                 |              |
| D847,905 S    | 5/2019  | Lewis             |            |                  |         |                 |              |
| D849,149 S    | 5/2019  | Bussey            |            |                  |         |                 |              |
| D849,150 S    | 5/2019  | Gallagher         |            |                  |         |                 |              |
| D850,536 S    | 6/2019  | Stair             |            |                  |         |                 |              |
| D850,537 S    | 6/2019  | Urban             |            |                  |         |                 |              |
| D854,621 S    | 7/2019  | Calhoun           |            |                  |         |                 |              |
| D858,641 S *  | 9/2019  | Legras .....      | D21/370    |                  |         |                 |              |
| D858,642 S *  | 9/2019  | Legras .....      | D21/370    |                  |         |                 |              |
| D859,347 S *  | 9/2019  | Kwon .....        | D14/138 AB |                  |         |                 |              |
| D862,602 S    | 10/2019 | Kariya            |            |                  |         |                 |              |
| D865,066 S    | 10/2019 | Ortiz De Viveiros |            |                  |         |                 |              |
| D865,873 S    | 11/2019 | Lewis             |            |                  |         |                 |              |
| D866,666 S    | 11/2019 | Ditton            |            |                  |         |                 |              |
| D866,667 S    | 11/2019 | Stair             |            |                  |         |                 |              |
| D866,668 S    | 11/2019 | Ditton            |            |                  |         |                 |              |
| D868,165 S    | 11/2019 | Ortiz De Viveiros |            |                  |         |                 |              |
| D870,818 S    | 12/2019 | Curbbun           |            |                  |         |                 |              |
| D870,820 S    | 12/2019 | Urban             |            |                  |         |                 |              |
| D871,506 S    | 12/2019 | Castro            |            |                  |         |                 |              |
| D871,507 S    | 12/2019 | Urban             |            |                  |         |                 |              |
| D872,190 S    | 1/2020  | Zedell, Jr.       |            |                  |         |                 |              |
| D875,091 S *  | 2/2020  | Kwon .....        | D14/341    |                  |         |                 |              |
| 10,580,252 B2 | 3/2020  | Whelan            |            |                  |         |                 |              |
| D880,605 S    | 4/2020  | Bussey            |            |                  |         |                 |              |
| D880,606 S    | 4/2020  | Glenn, II         |            |                  |         |                 |              |
| D880,608 S    | 4/2020  | Glenn, II         |            |                  |         |                 |              |
| D880,610 S    | 4/2020  | Glenn, II         |            |                  |         |                 |              |
| D880,611 S    | 4/2020  | Glenn, II         |            |                  |         |                 |              |
| D880,612 S    | 4/2020  | Bernard           |            |                  |         |                 |              |
| D880,613 S    | 4/2020  | Bernard           |            |                  |         |                 |              |

OTHER PUBLICATIONS

Office Action dated Jun. 1, 2020 for U.S. Appl. No. 29/684,811 (pp. 1-7).

Office Action dated Jun. 1, 2020 for U.S. Appl. No. 29/684,806 (pp. 1-9).

Office Action dated Jun. 1, 2020 for U.S. Appl. No. 29/684,807 (pp. 1-8).

Office Action dated Jun. 1, 2020 for U.S. Appl. No. 29/684,808 (pp. 1-9).

Office Action dated Jun. 1, 2020 for U.S. Appl. No. 29/684,812 (pp. 1-9).

Office Action dated Jun. 1, 2020 for U.S. Appl. No. 29/684,832 (pp. 1-9).

Office Action dated Jun. 1, 2020 for U.S. Appl. No. 29/684,836 (pp. 1-9).

Office Action dated Jun. 1, 2020 for U.S. Appl. No. 29/684,844 (pp. 1-9).

Office Action dated Jun. 1, 2020 for U.S. Appl. No. 29/684,849 (pp. 1-9).

Office Action dated Jun. 5, 2020 for U.S. Appl. No. 29/684,847 (pp. 1-9).

Office Action dated Jun. 12, 2020 for U.S. Appl. No. 29/684,810 (pp. 1-10).

Office Action dated Jun. 12, 2020 for U.S. Appl. No. 29/684,814 (pp. 1-10).

Office Action dated Jun. 12, 2020 for U.S. Appl. No. 29/684,817 (pp. 1-11).

Office Action dated Jun. 12, 2020 for U.S. Appl. No. 29/684,838 (pp. 1-11).

Office Action dated Jun. 12, 2020 for U.S. Appl. No. 29/684,842 (pp. 1-11).

Office Action dated Jun. 12, 2020 for U.S. Appl. No. 29/684,883 (pp. 1-8).

Office Action dated Jun. 12, 2020 for U.S. Appl. No. 29/684,890 (pp. 1-9).

Office Action dated Jun. 12, 2020 for U.S. Appl. No. 29/684,891 (pp. 1-9).

Office Action dated Jun. 12, 2020 for U.S. Appl. No. 29/684,894 (pp. 1-10).  
Office Action dated Jun. 12, 2020 for U.S. Appl. No. 29/684,899 (pp. 1-9).  
Office Action dated Jun. 12, 2020 for U.S. Appl. No. 29/684,915 (pp. 1-10).  
Office Action dated Jun. 12, 2020 for U.S. Appl. No. 29/684,922 (pp. 1-10).  
Office Action dated Jun. 12, 2020 for U.S. Appl. No. 29/684,925 (pp. 1-10).  
Office Action dated Jun. 12, 2020 for U.S. Appl. No. 29/684,929 (pp. 1-10).  
Office Action dated Jun. 12, 2020 for U.S. Appl. No. 29/684,934 (pp. 1-10).  
Office Action dated Jun. 12, 2020 for U.S. Appl. No. 29/684,936 (pp. 1-10).  
Office Action dated Jun. 12, 2020 for U.S. Appl. No. 29/684,941 (pp. 1-12).  
Office Action dated Jul. 10, 2020 for U.S. Appl. No. 29/684,900 (pp. 1-10).  
Office Action dated Jul. 10, 2020 for U.S. Appl. No. 29/684,938 (pp. 1-13).  
Notice of Allowance dated Aug. 5, 2020 for U.S. Appl. No. 29/678,496 (pp. 1-7).  
Office Action dated Jun. 12, 2020 for U.S. Appl. No. 29/684,912 (pp. 1-10).  
Corrected Notice of Allowability dated Aug. 17, 2020 for U.S. Appl. No. 29/678,496 (pp. 1-4).

\* cited by examiner

Primary Examiner — Ryan Harvey

(74) *Attorney, Agent, or Firm* — Armstrong Teasdale LLP

(57) **CLAIM**

We claim the ornamental design for a gaming machine, as shown and described.

**DESCRIPTION**

FIG. 1 is a front perspective view of a gaming machine showing our new design;  
FIG. 2 is a front view of the gaming machine shown in FIG. 1;  
FIG. 3 is a back view of the gaming machine shown in FIG. 1;  
FIG. 4 is a right side view of the gaming machine shown in FIG. 1;  
FIG. 5 is a left side view of the gaming machine shown in FIG. 1;  
FIG. 6 is a top view of the gaming machine shown in FIG. 1;  
FIG. 7 is a bottom view of the gaming machine shown in FIG. 1;  
FIG. 8 is a front perspective view of a gaming machine showing an alternative embodiment of our new design; and,  
FIG. 9 is a front view of the gaming machine shown in FIG. 8.  
The broken line showing of portions of the gaming machine depicts environment and forms no part of the claimed design.

**1 Claim, 9 Drawing Sheets**

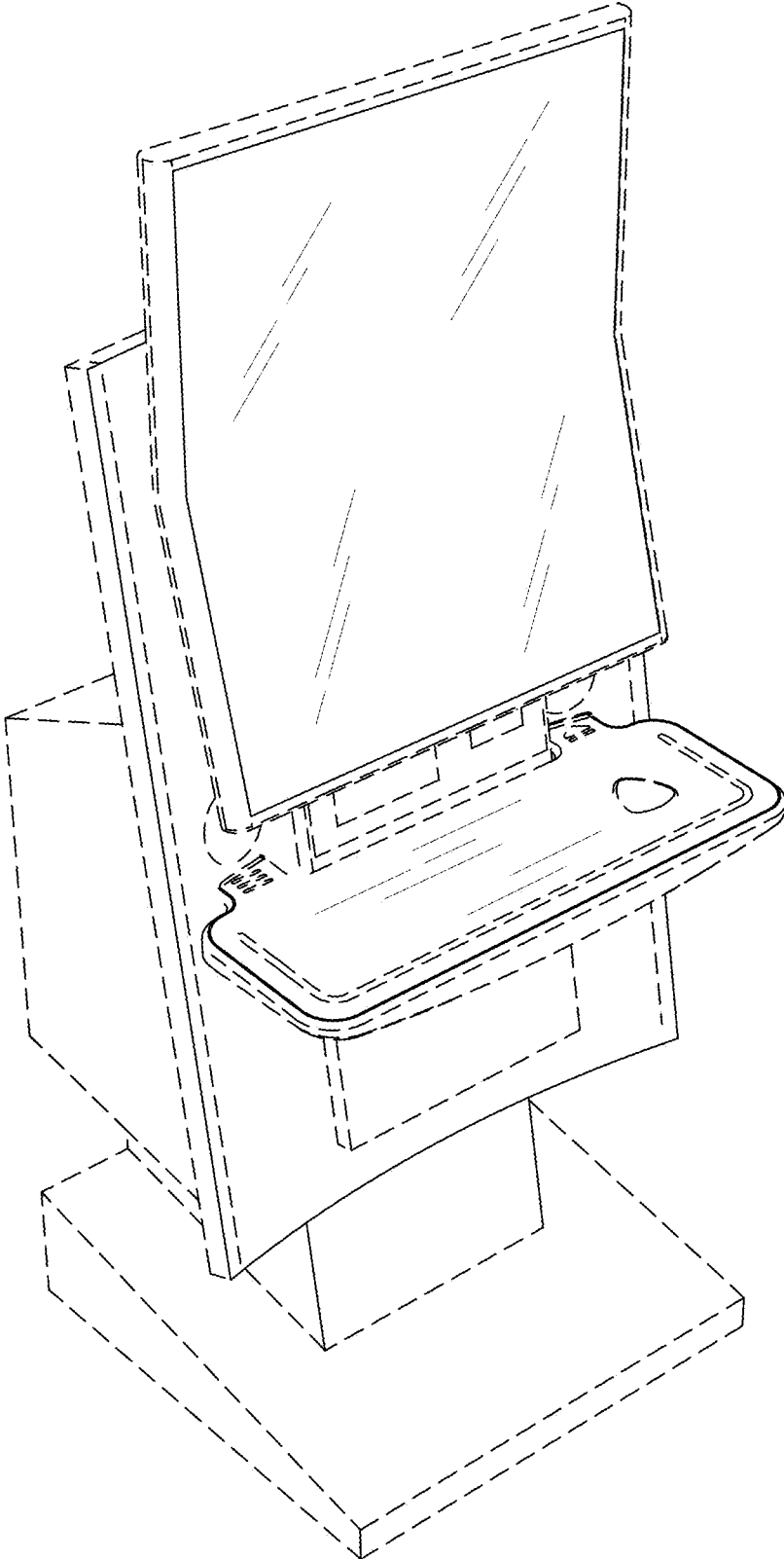


FIG. 1

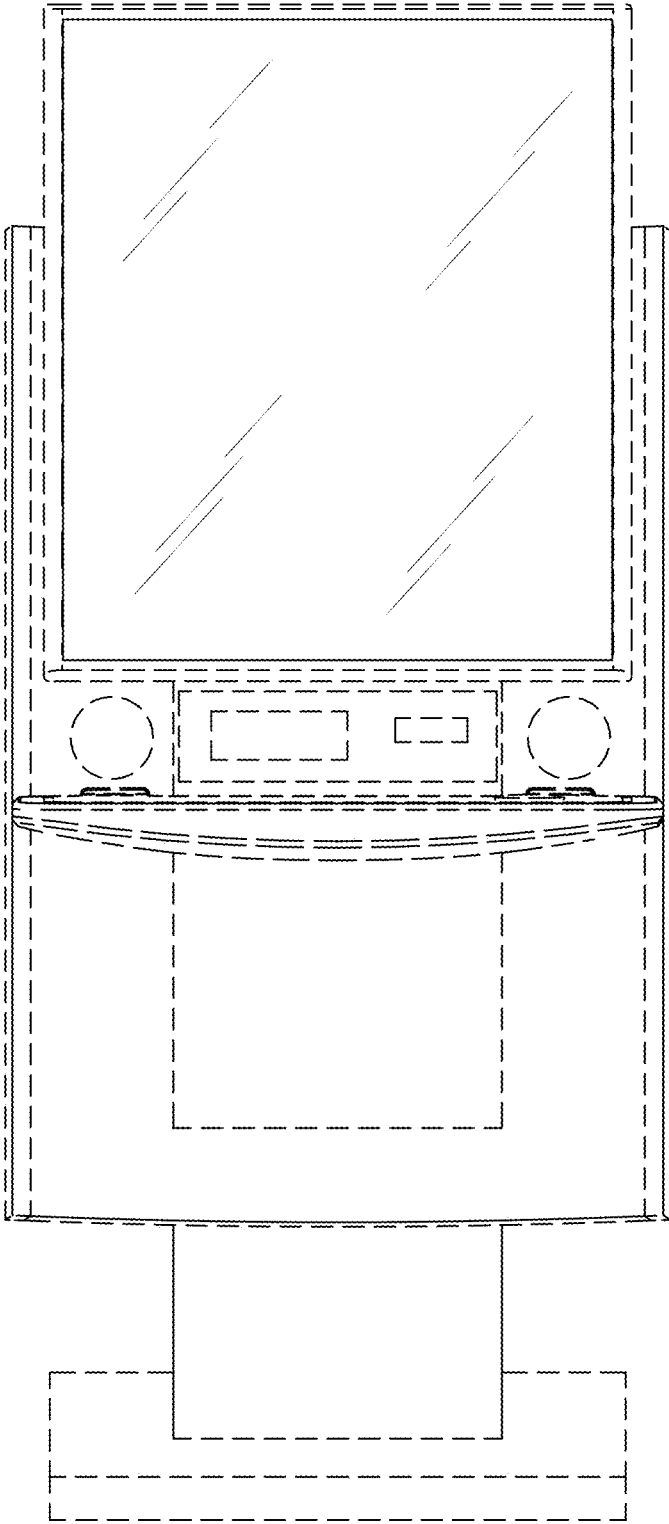


FIG. 2

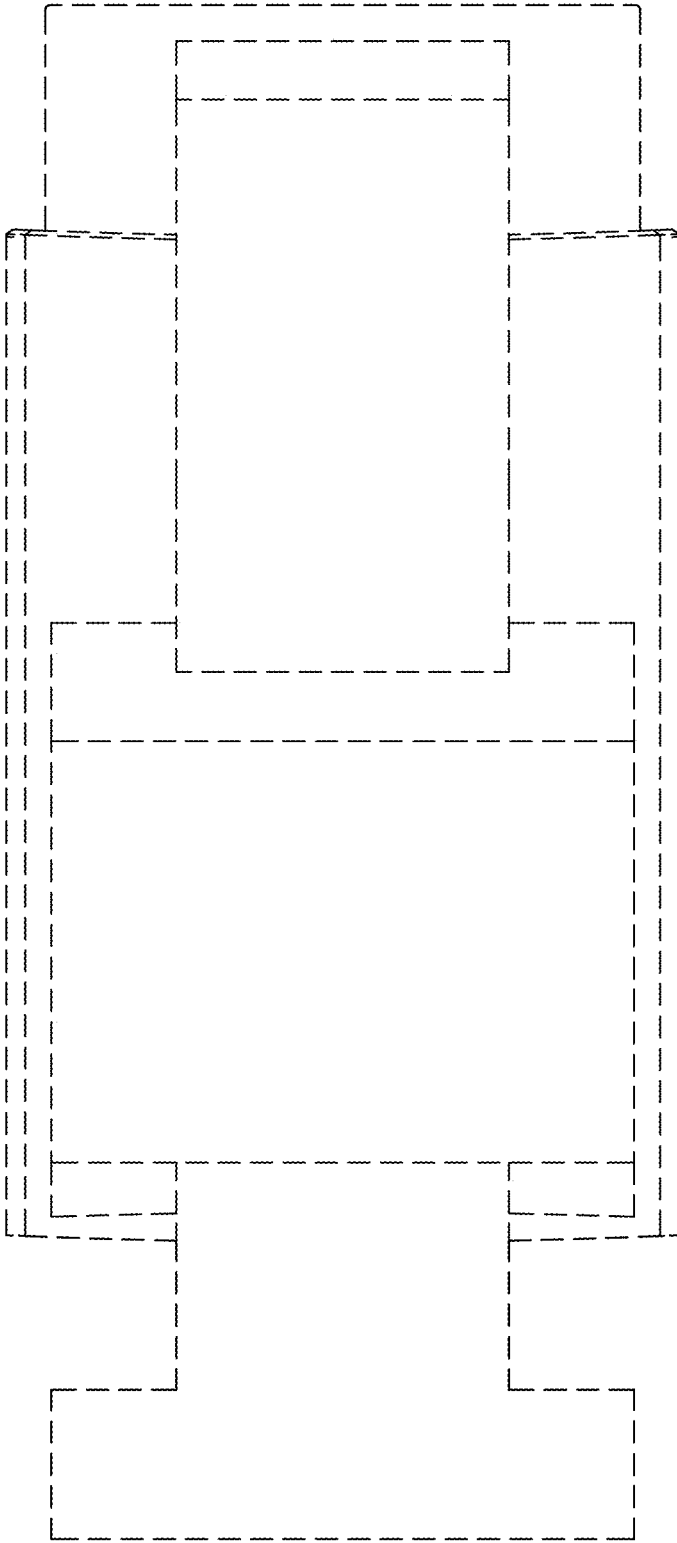


FIG. 3

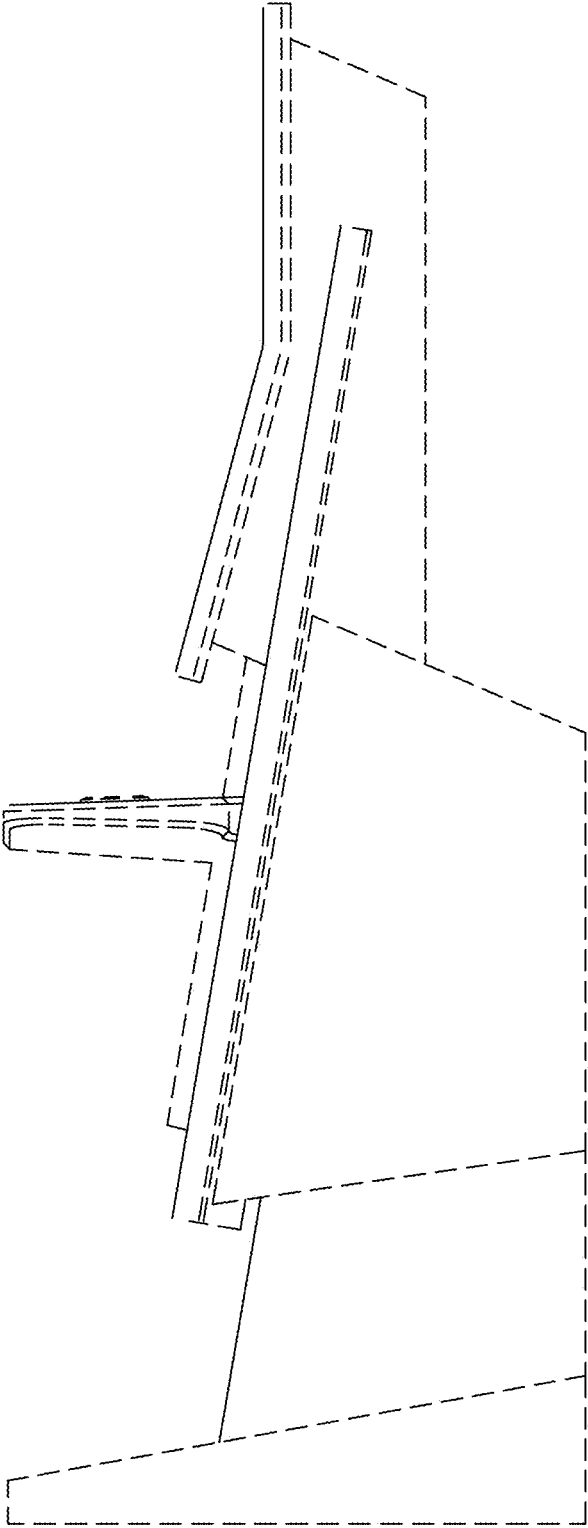


FIG. 4

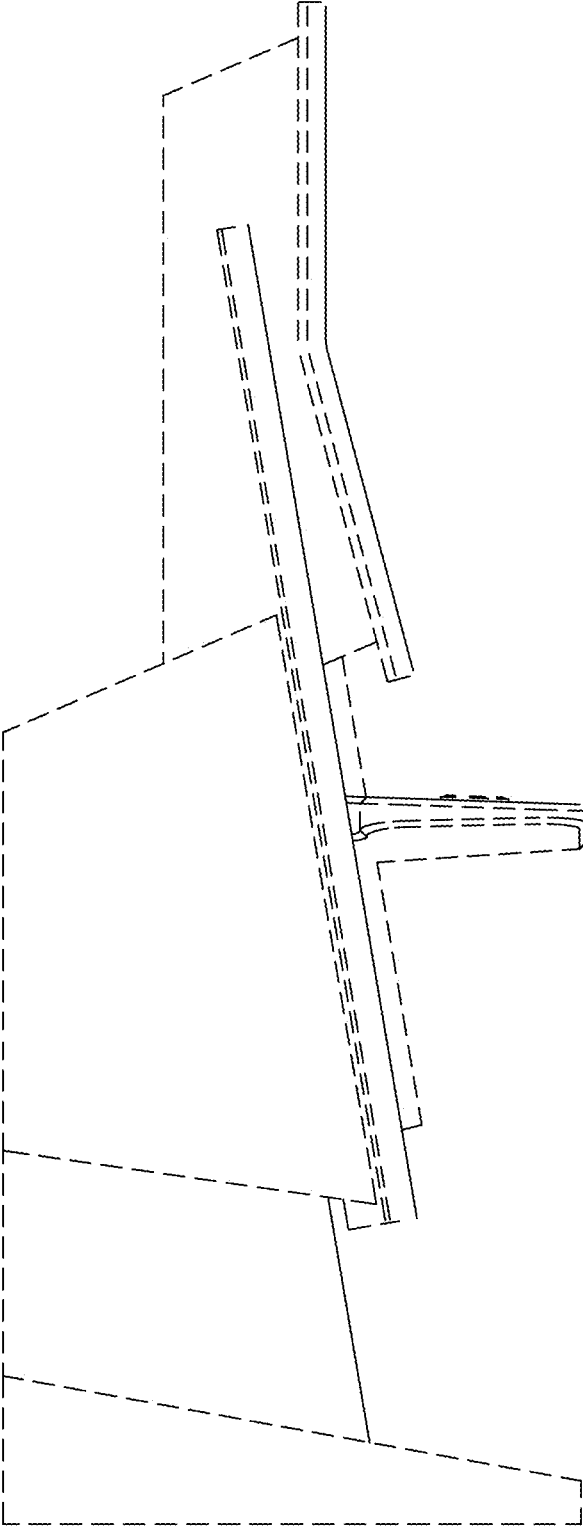


FIG. 5



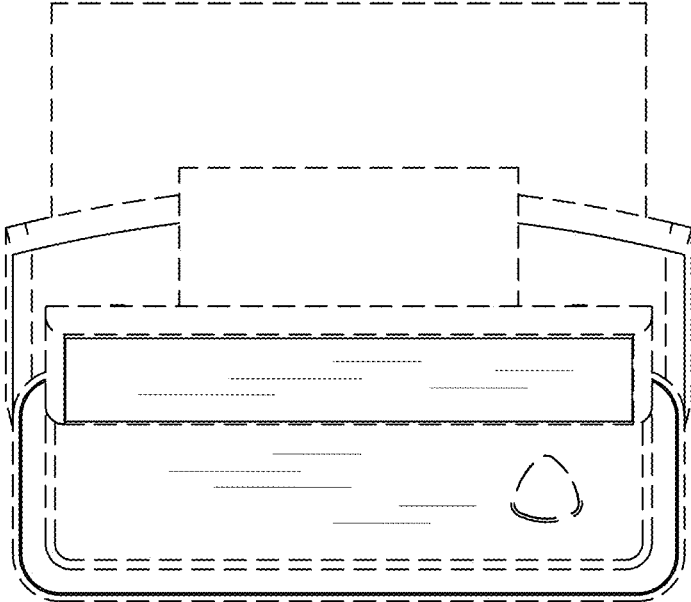


FIG. 6

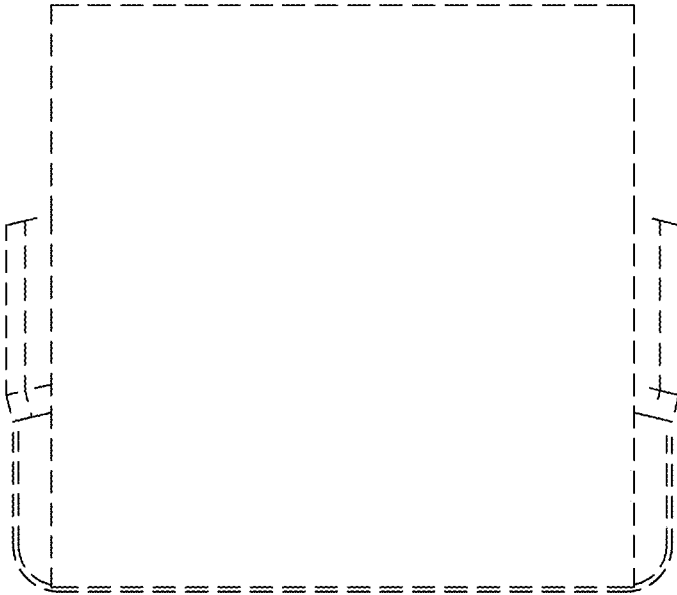


FIG. 7

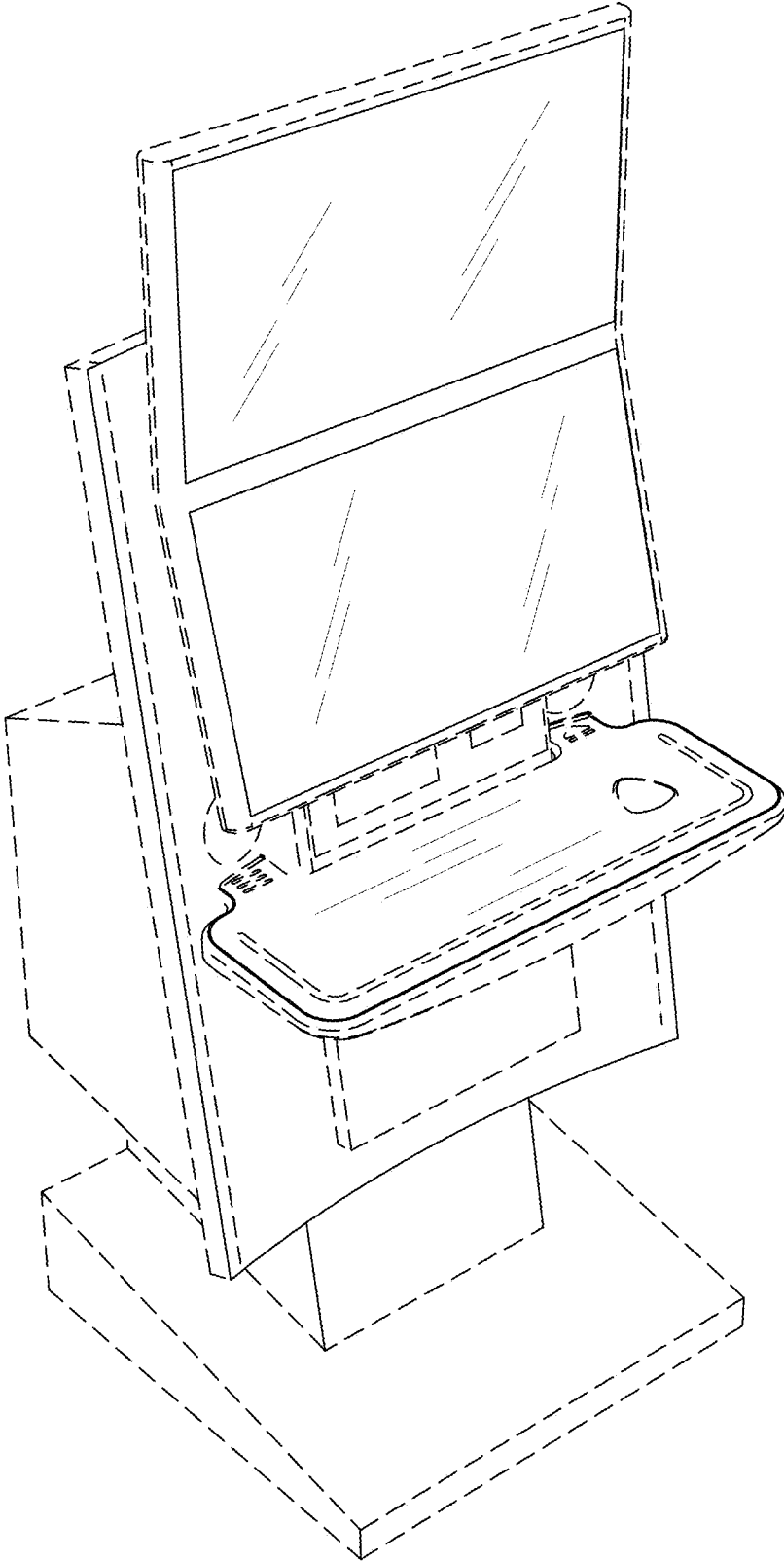


FIG. 8

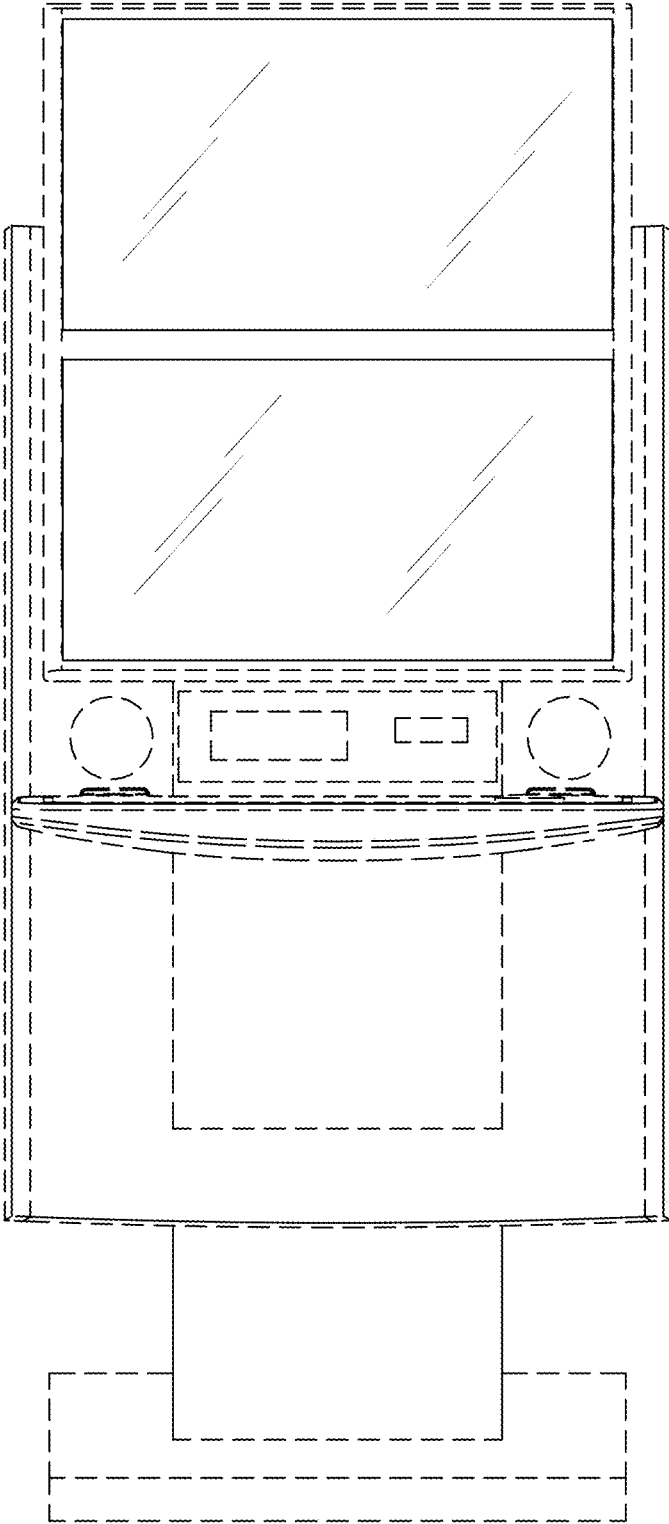


FIG. 9