



US00D717181S

(12) **United States Design Patent**  
**Vukcevic**

(10) **Patent No.:** **US D717,181 S**

(45) **Date of Patent:** **\*\* Nov. 11, 2014**

(54) **WATCH CASE**

(71) Applicant: **Maksim Vukcevic**, Podgorica (ME)

(72) Inventor: **Maksim Vukcevic**, Podgorica (ME)

(\*\*) Term: **14 Years**

(21) Appl. No.: **29/481,381**

(22) Filed: **Feb. 5, 2014**

(51) **LOC (10) Cl.** ..... **10-02**

(52) **U.S. Cl.**

USPC ..... **D10/38**

(58) **Field of Classification Search**

USPC ..... D10/30-39; 368/276, 281, 282, 285  
See application file for complete search history.

(56) **References Cited**

**U.S. PATENT DOCUMENTS**

D78,487 S *	5/1929	Schwab et al. ....	D10/39
4,548,514 A *	10/1985	Ganter .....	368/291
D371,077 S *	6/1996	Terashima .....	D10/30
D401,866 S *	12/1998	Pandel .....	D10/32
D410,199 S *	5/1999	Calvani .....	D10/39
D473,472 S *	4/2003	Wunderman .....	D10/32
D479,135 S *	9/2003	Emmenegger .....	D10/30
D527,655 S *	9/2006	Dias .....	D10/38
D545,910 S *	7/2007	Peraldi .....	D10/32

D546,204 S *	7/2007	Wunderman .....	D10/33
D555,518 S *	11/2007	Borraccino et al. ....	D10/39
D555,519 S *	11/2007	Borraccino et al. ....	D10/39
D592,531 S *	5/2009	Wunderman .....	D10/39
D598,303 S *	8/2009	Jorst et al. ....	D10/38
D633,811 S *	3/2011	Calce .....	D10/32
D634,652 S *	3/2011	Jorst et al. ....	D10/39
D656,044 S *	3/2012	Favre .....	D10/38
D698,268 S *	1/2014	Mijatovic .....	D10/32

\* cited by examiner

*Primary Examiner* — Lucy Lieberman

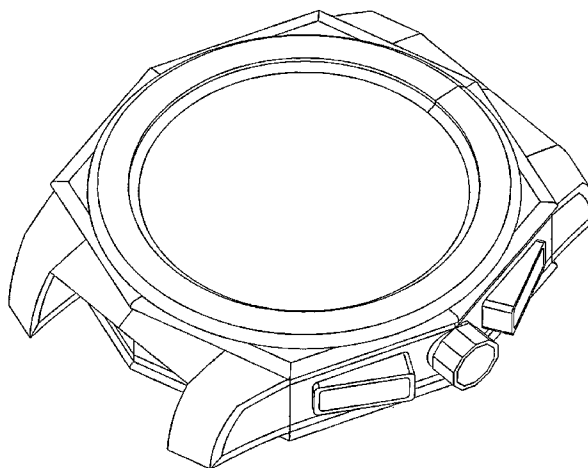
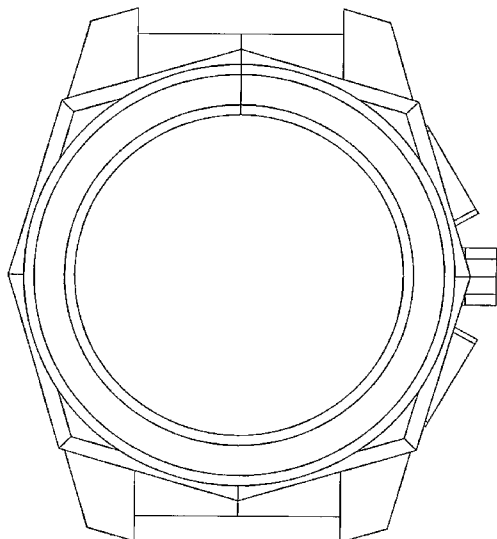
(57) **CLAIM**

The ornamental design for a watch case, as shown.

**DESCRIPTION**

FIG. 1 is a front view of a watch showing my new design;  
 FIG. 2 is a rear view thereof;  
 FIG. 3 is a bottom view thereof;  
 FIG. 4 is a top view thereof;  
 FIG. 5 is a right side view thereof;  
 FIG. 6 is a left side view thereof;  
 FIG. 7 is a front and right side perspective view thereof;  
 FIG. 8 is a rear and right side perspective view thereof;  
 FIG. 9 is a front, right side and bottom perspective view thereof; and,  
 FIG. 10 is a bottom, left side and bottom perspective view thereof.

**1 Claim, 10 Drawing Sheets**



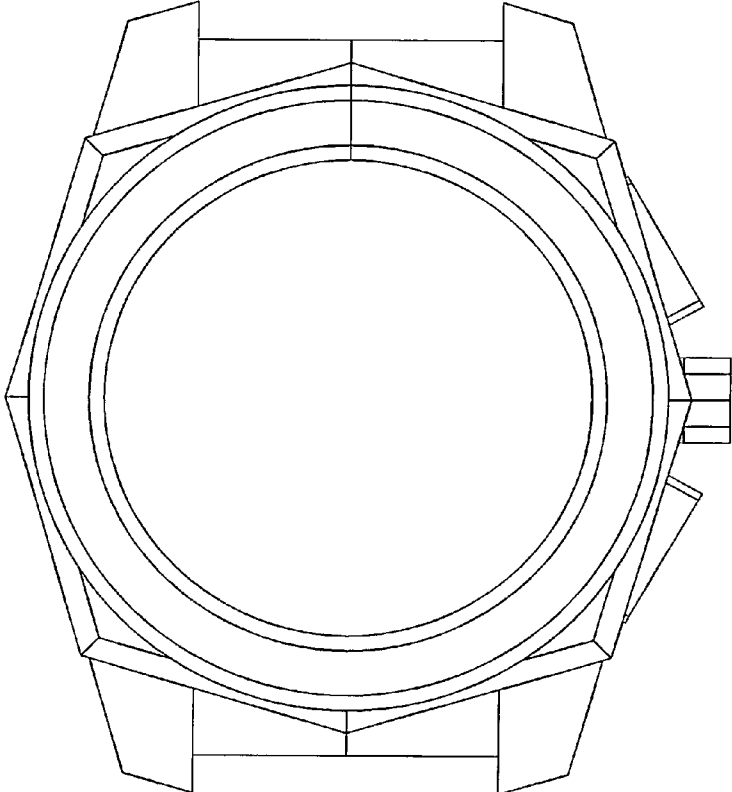


Fig. 1

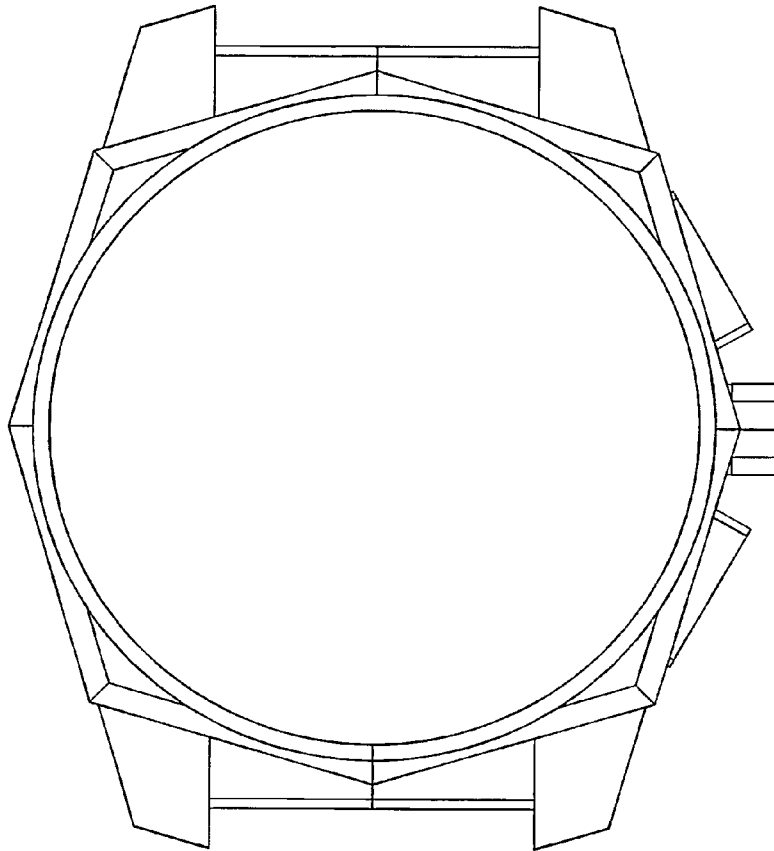


Fig. 2

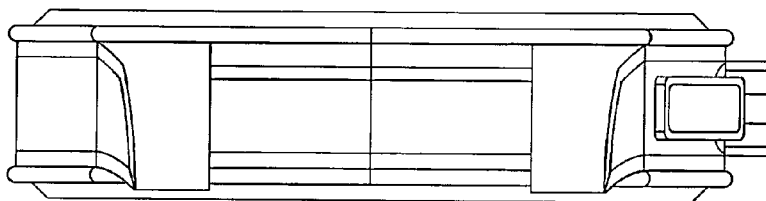


Fig. 3

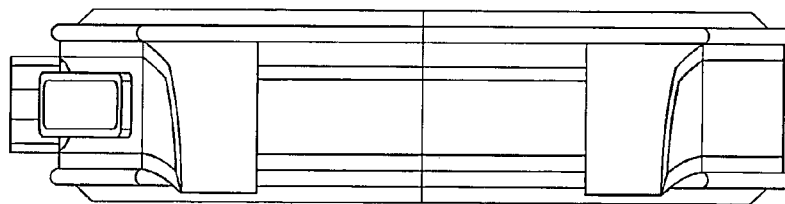


Fig. 4

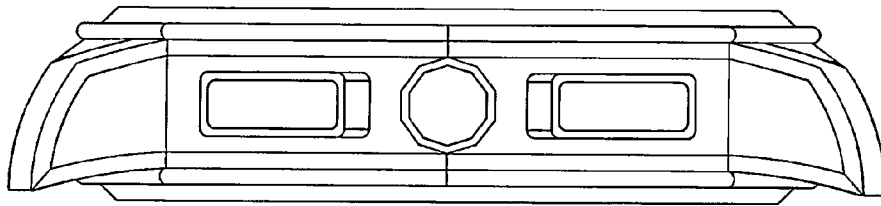


Fig. 5

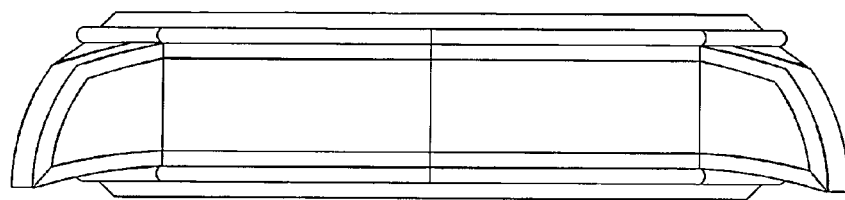


Fig. 6

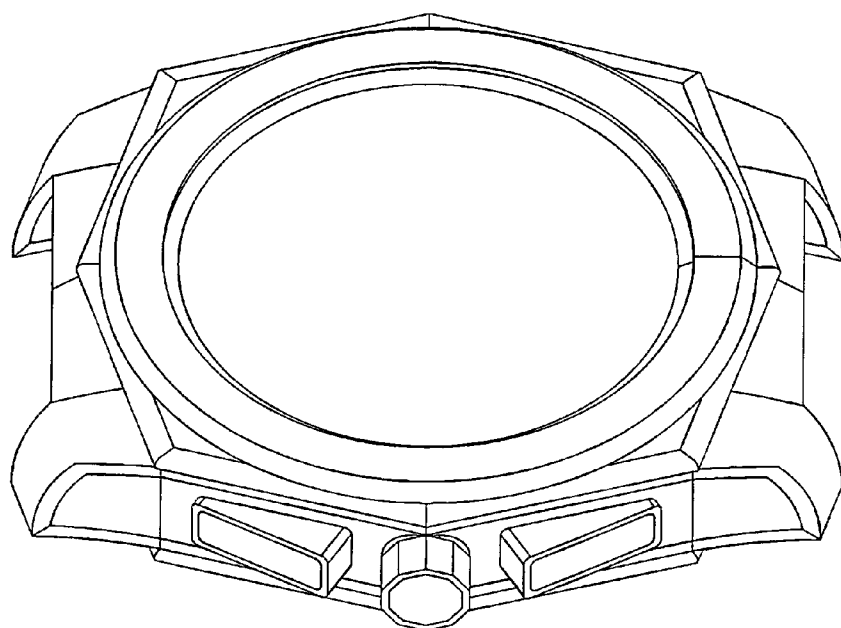


Fig. 7



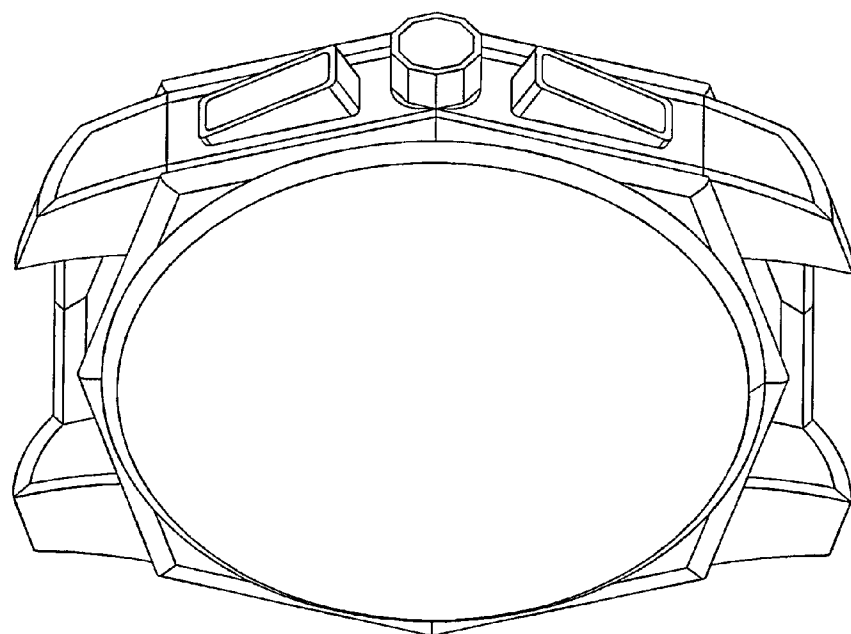


Fig. 8

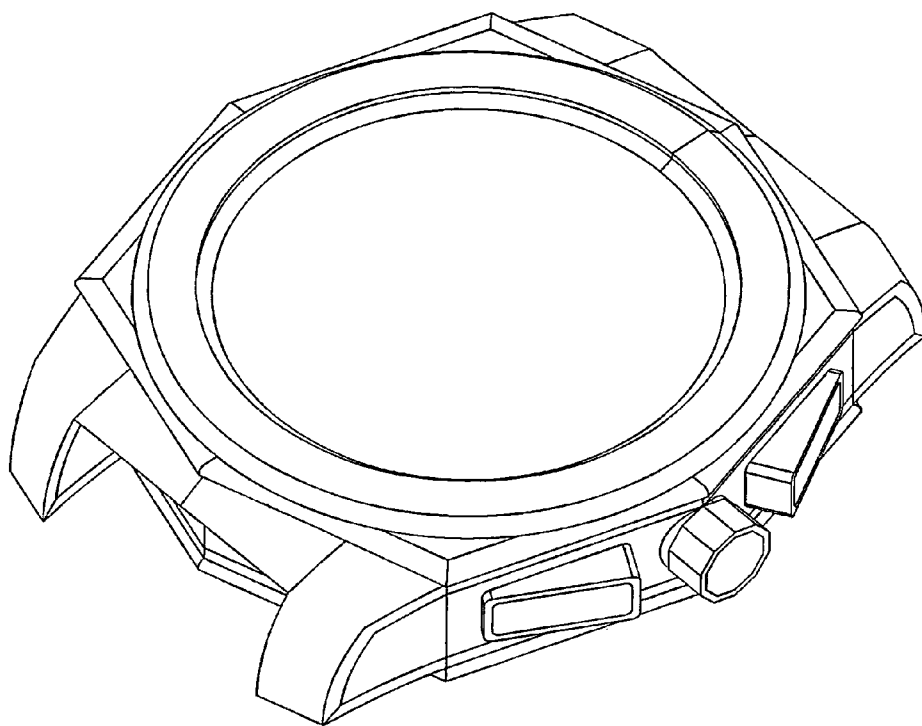


Fig. 9

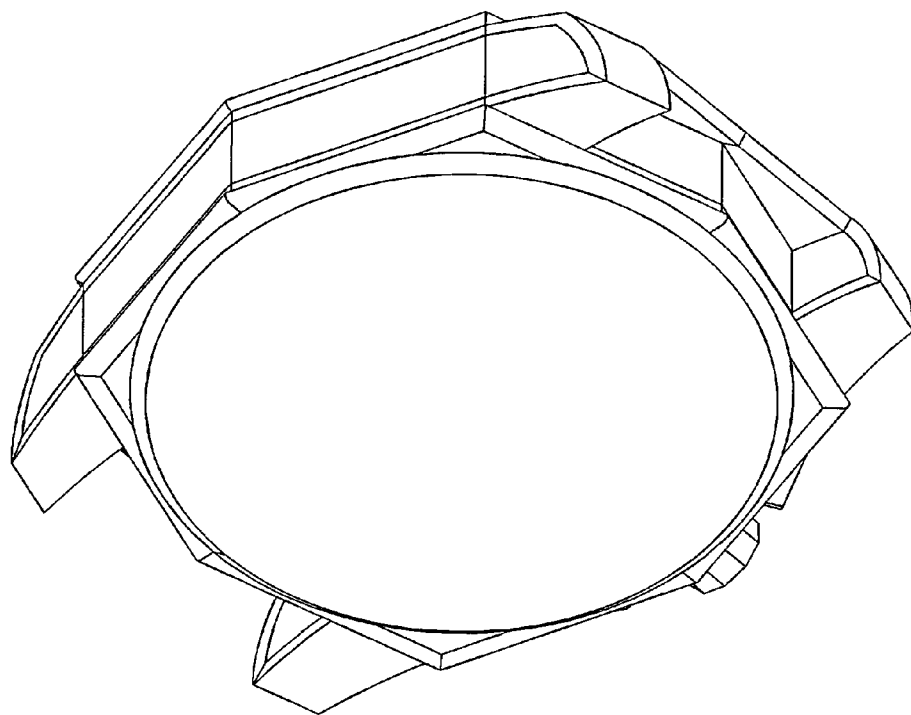


Fig. 10