



US00D492419S1

(12) **United States Design Patent**
Farina

(10) **Patent No.:** **US D492,419 S**

(45) **Date of Patent:** **** Jun. 29, 2004**

(54) **STACKABLE ALIQUOT VESSEL ARRAY**

(75) **Inventor:** **Edward Francis Farina, Oxford, PA (US)**

(73) **Assignee:** **Dade Behring Inc., Deerfield, IL (US)**

(**) **Term:** **14 Years**

(21) **Appl. No.:** **29/167,815**

(22) **Filed:** **Sep. 20, 2002**

(51) **LOC (7) Cl.** **24-02**

(52) **U.S. Cl.** **D24/226; D24/216; D24/224**

(58) **Field of Search** **D24/226, 230, D24/224, 216, 227; 422/102, 104, 60, 58, 61, 63, 60.1; 435/288.4, 288.3, 288.1, 305.1, 305.2, 294.1**

(56) **References Cited**

U.S. PATENT DOCUMENTS

D215,431 S	9/1969	Allen	D16/1
D226,846 S	5/1973	Rosenburg	D16/1
D240,052 S	5/1976	Varga	D24/226
D249,706 S	9/1978	Adamski	D24/230
4,178,345 A	12/1979	Terk	422/61
4,195,060 A	3/1980	Terk	422/61
D258,145 S	* 2/1981	Potts	D24/230
4,295,601 A	10/1981	Cowell	233/26
4,877,659 A	10/1989	Vince	428/34.1

D325,975 S	5/1992	Grade et al.	D24/230
5,897,835 A	4/1999	Seaton et al.	422/104
5,948,363 A	9/1999	Gaillard	422/102
6,086,827 A	7/2000	Horner et al.	422/102
D448,854 S	10/2001	Kulper et al.	D24/230
D452,740 S	* 1/2002	Brennan et al.	D24/226
D461,554 S	* 8/2002	Lafond et al.	D24/230
6,517,782 B1	2/2003	Horner et al.	422/102
6,517,783 B2	2/2003	Horner et al.	422/102
2003/0017084 A1	1/2003	Dale et al.	422/104
2003/0044324 A1	* 3/2003	Micklash et al.	422/102
2003/0129095 A1	* 7/2003	Farina et al.	435/288.4

* cited by examiner

Primary Examiner—Ian Simmons

(74) *Attorney, Agent, or Firm*—Leland K Jordan

(57) **CLAIM**

The ornamental design for a stackable aliquot vessel array, as shown and described.

DESCRIPTION

FIG. 1 is a side elevational view of a stackable aliquot vessel array, showing my new design;

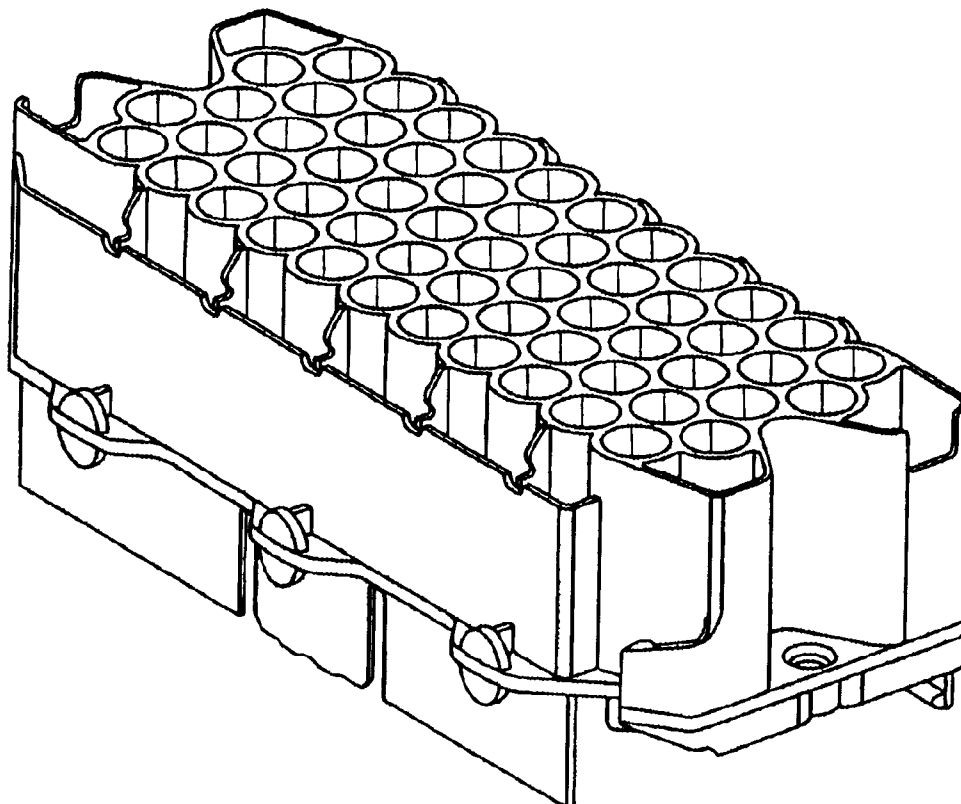
FIG. 2 is a top plan view thereof;

FIG. 3 is corner perspective view thereof;

FIG. 4 is a side perspective view thereof; and,

FIG. 5 is a front perspective view thereof.

1 Claim, 5 Drawing Sheets



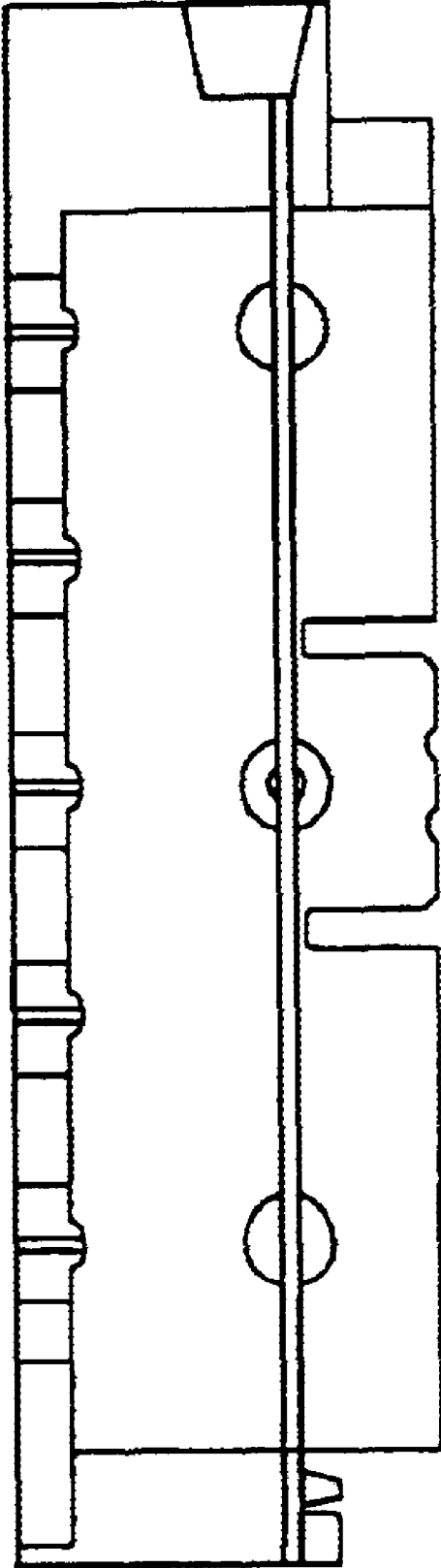


FIG. 1

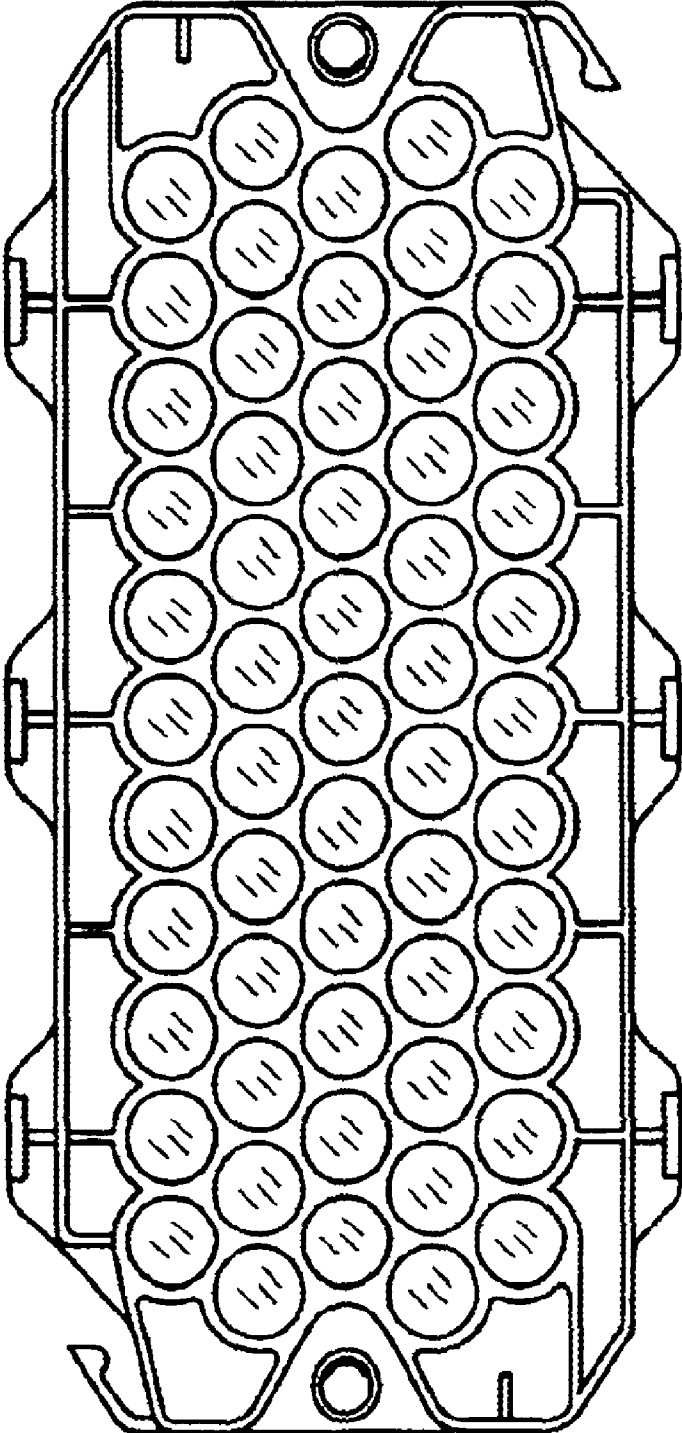


FIG. 2

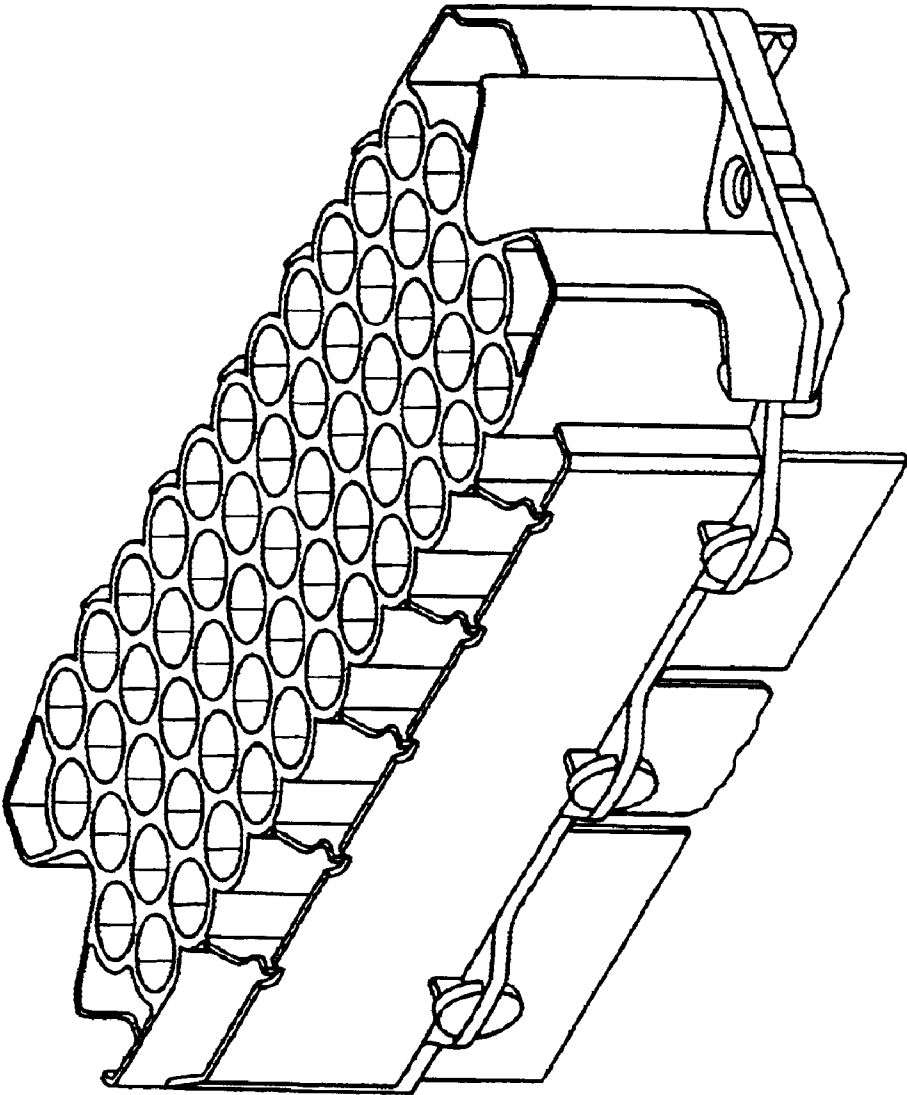


FIG. 3

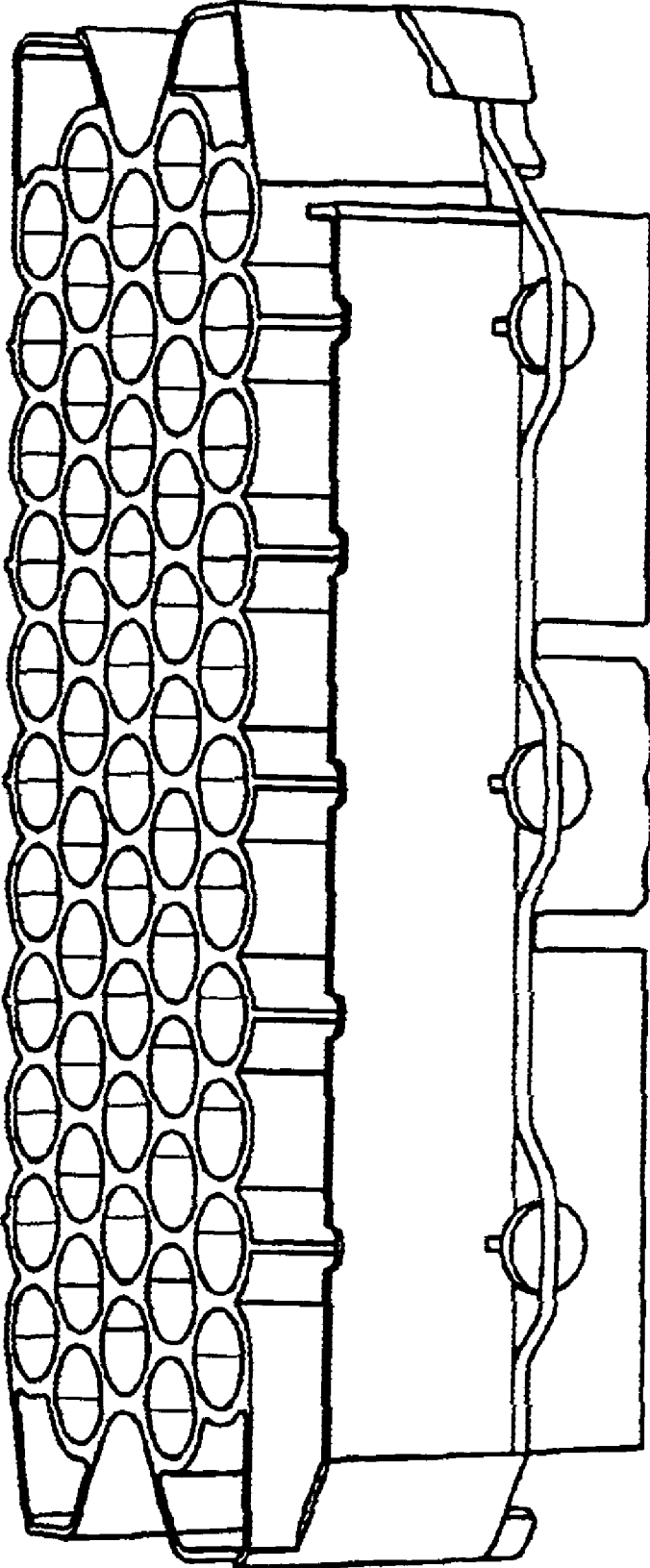


FIG. 4

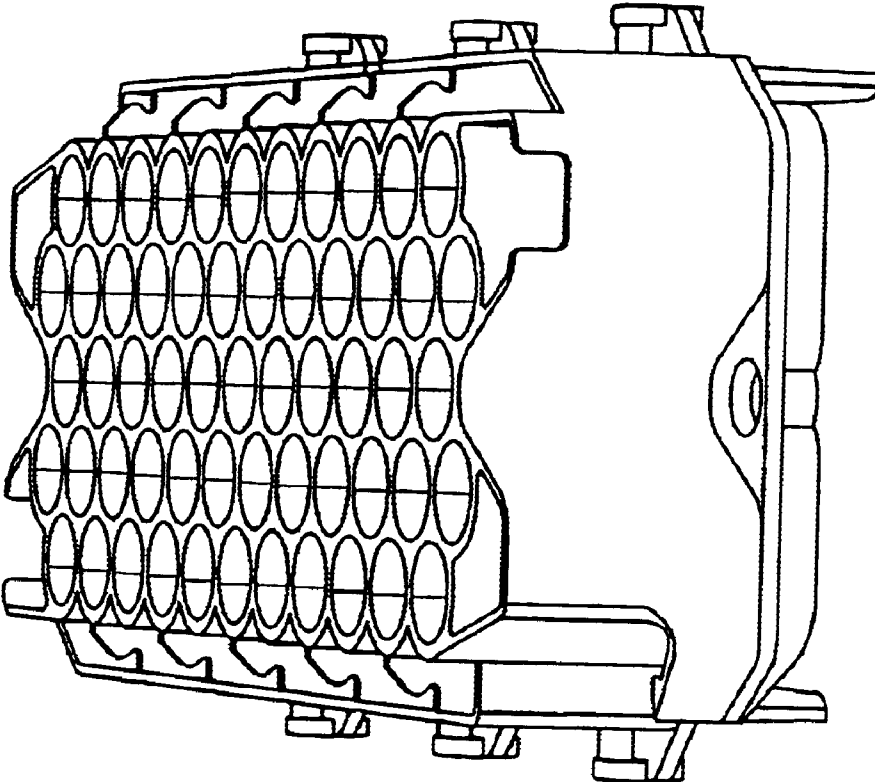


FIG. 5