



US00D955622S

(12) **United States Design Patent**
Chen

(10) **Patent No.:** **US D955,622 S**

(45) **Date of Patent:** **** Jun. 21, 2022**

(54) **CHANDELIER**

(71) Applicant: **Xiaohong Chen**, Guangzhou (CN)

(72) Inventor: **Xiaohong Chen**, Guangzhou (CN)

(**) Term: **15 Years**

(21) Appl. No.: **29/770,171**

(22) Filed: **Feb. 10, 2021**

(51) **LOC (13) Cl.** **26-03**

(52) **U.S. Cl.**
USPC **D26/83**; D26/89

(58) **Field of Classification Search**
USPC D26/72, 80, 84, 85, 89, 118, 83
See application file for complete search history.

(56) **References Cited**

U.S. PATENT DOCUMENTS

D155,340	S	*	9/1949	Frisbie	D26/93
D294,068	S	*	2/1988	Platner	D26/81
D557,449	S	*	12/2007	Chow	D26/93
D564,695	S	*	3/2008	Krause	D26/85
D625,877	S	*	10/2010	Hsu	D26/80
D626,284	S	*	10/2010	Zeisner	D26/154
D627,503	S	*	11/2010	Postelmans	D26/93
D634,056	S	*	3/2011	Hokazono	D26/89
D697,252	S		1/2014	Baylar		
D792,633	S	*	7/2017	Sonneman	D26/90
D810,993	S		2/2018	Genovese		
D813,440	S	*	3/2018	Xia	D26/80
D855,870	S	*	8/2019	Schwartz	D26/89
2013/0294079	A1	*	11/2013	Tran	F21S 8/04 362/249.15

OTHER PUBLICATIONS

Arlyn 3-Light Rectangle LED Flush Mount. Available from wayfair.com as early as Oct. 12, 2021. (Year: 2021).*
Jaycomey Rectangular Ceiling Light, ASIN: B08BJPGQDB. Available from amazon.com Jan. 10, 2021. (Year: 2021).*
SMG Modern LED Ceiling Light, ASIN: B08RBKXCJ6. Available from amazon.com Dec. 26, 2021. (Year: 2021).*

* cited by examiner

Primary Examiner — Clare E Heflin

(74) *Attorney, Agent, or Firm* — Zhihua Han; Wen IP LLC

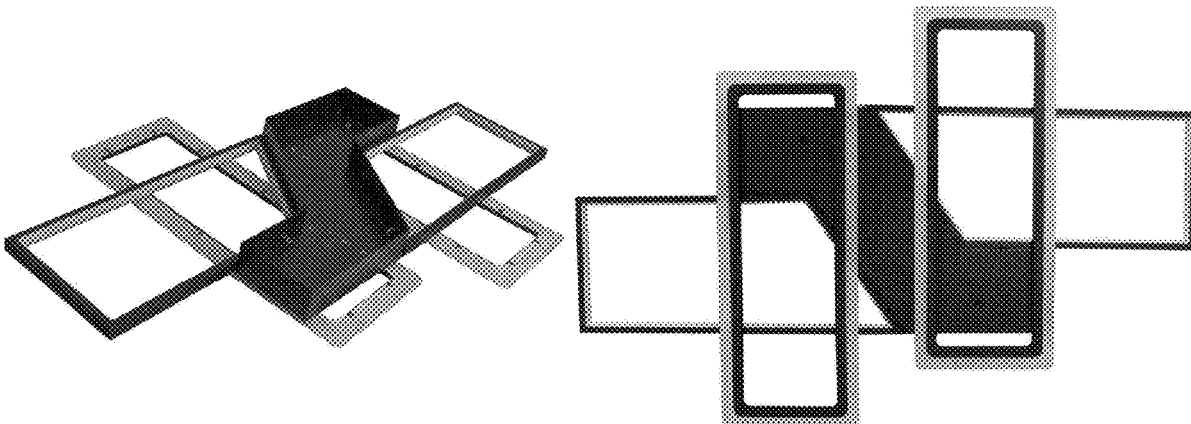
(57) **CLAIM**

The ornamental design for a chandelier, as shown and described.

DESCRIPTION

FIG. 1 is a perspective photographic view of a chandelier, showing my new design;
FIG. 2 is another perspective photographic view thereof, for clarity of illustration;
FIG. 3 is a front photographic view thereof;
FIG. 4 is a rear photographic view thereof;
FIG. 5 is a left photographic view thereof;
FIG. 6 is a right photographic view thereof;
FIG. 7 is a top plan photographic view thereof; and,
FIG. 8 is a bottom plan photographic view thereof.

1 Claim, 8 Drawing Sheets



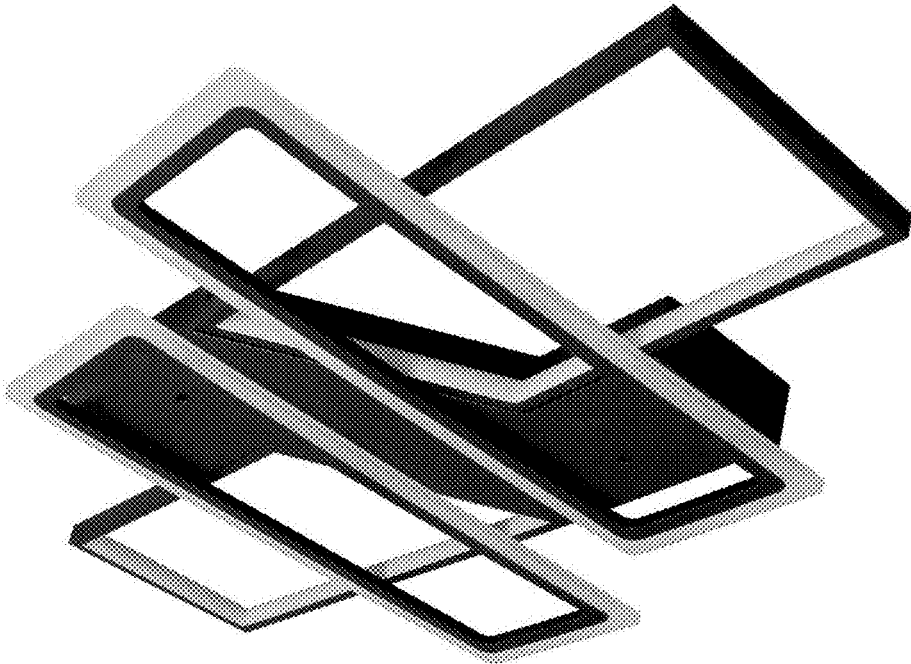


FIG. 1

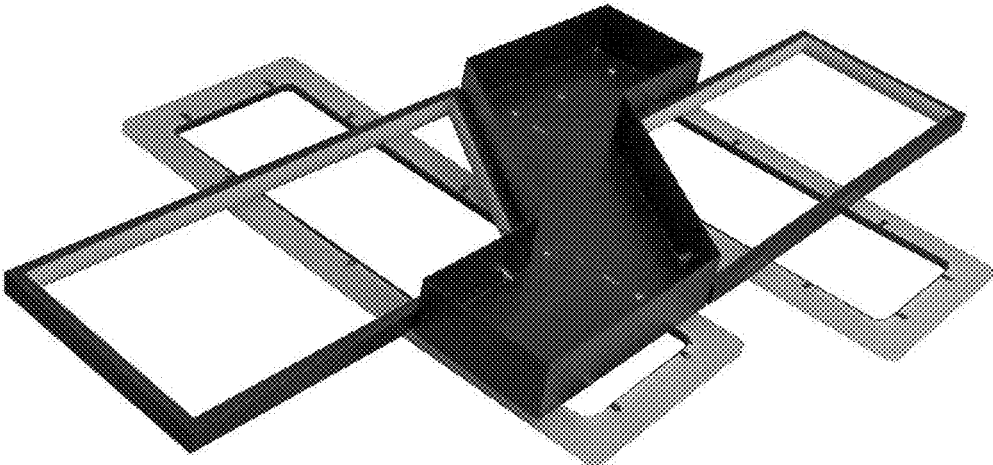


FIG.2



FIG. 3

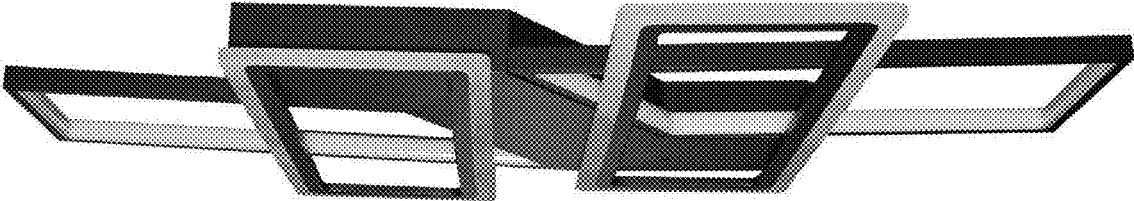


FIG. 4

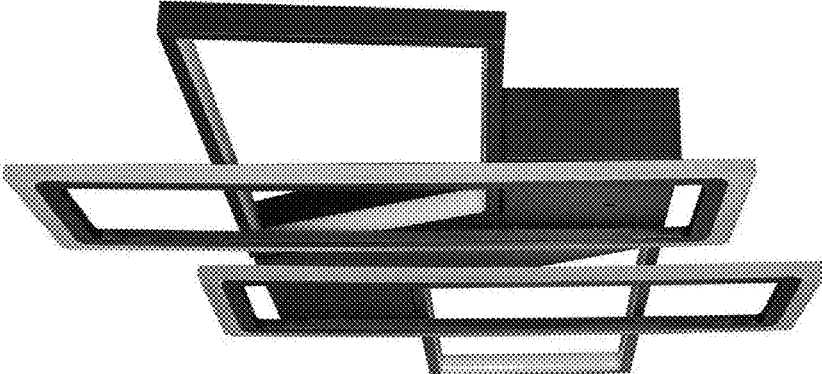


FIG. 5

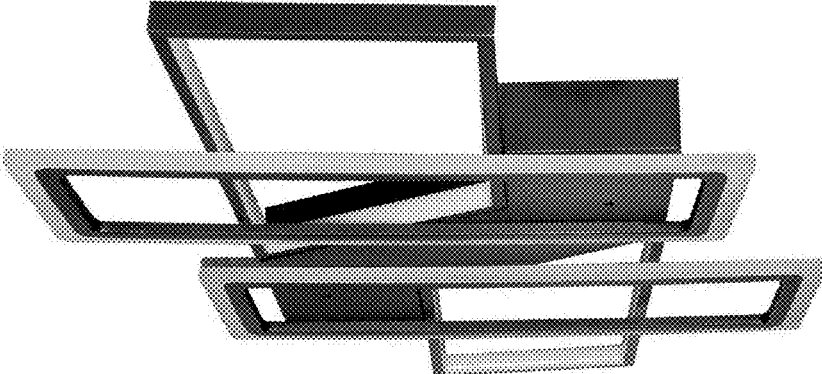


FIG. 6

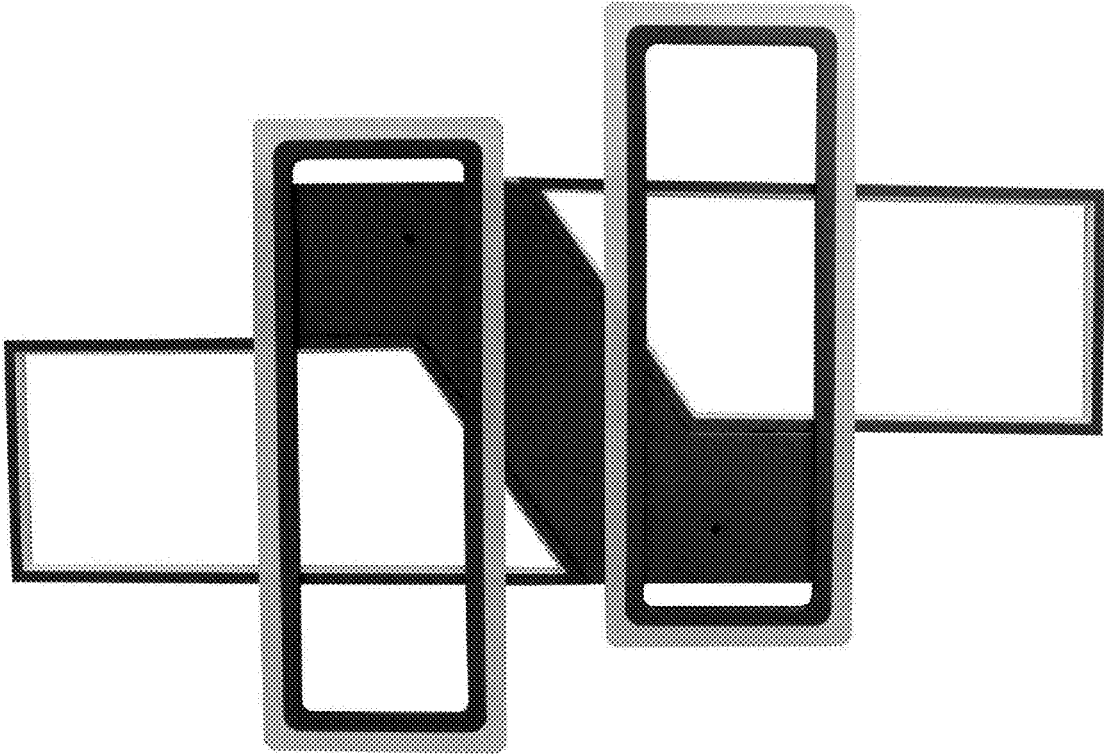


FIG. 7

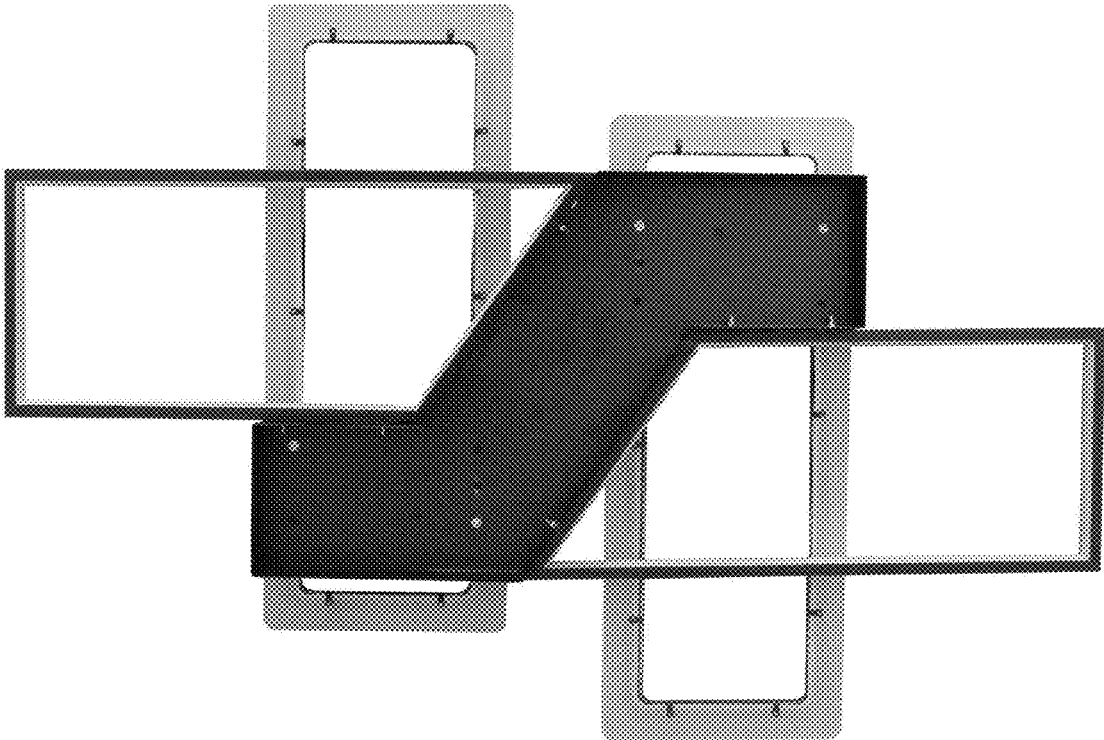


FIG. 8