



US00D999984S

(12) **United States Design Patent**  
**He**

(10) **Patent No.:** **US D999,984 S**

(45) **Date of Patent:** **\*\* Sep. 26, 2023**

(54) **HAIR TRIMMER**

(71) Applicant: **Yiwu Waha Home Appliance Co., Ltd.**, Yiwu (CN)

(72) Inventor: **Pei He**, Hengyang (CN)

(\*\*) Term: **15 Years**

(21) Appl. No.: **29/860,691**

(22) Filed: **Nov. 22, 2022**

(51) **LOC (14) Cl.** ..... **28-03**

(52) **U.S. Cl.**  
USPC ..... **D28/53**

(58) **Field of Classification Search**

USPC ..... D28/45-54, 76, 77, 85; D30/158-159  
CPC ..... B26B 19/00; B26B 19/02; B26B 19/04;  
B26B 19/06; B26B 19/10; B26B 19/30;  
B26B 19/3853; B26B 19/3873; B26B  
19/38-3826; B26B 19/384-48; B26B  
19/12; B26B 19/2024; B26B 19/00107;  
B26B 9/148; B26B 19/14-146  
See application file for complete search history.

(56) **References Cited**

**U.S. PATENT DOCUMENTS**

D467,387 S	*	12/2002	Wonderley	.....	D28/45
D500,888 S	*	1/2005	Gray	.....	D28/45
D519,680 S		4/2006	Dingelstad		
D525,743 S	*	7/2006	Dibnah	.....	D28/44
D672,503 S	*	12/2012	Mason	.....	D28/45
D830,633 S		10/2018	Gamble		
D853,646 S		7/2019	Boulanger		
D853,647 S		7/2019	Boulanger		
D853,648 S		7/2019	Boulanger		
D866,860 S		11/2019	Dawson		
D866,861 S		11/2019	Dawson		
D867,663 S	*	11/2019	Boulanger	.....	D28/53
D877,415 S	*	3/2020	Aulwes	.....	D28/53
D895,898 S	*	9/2020	Werner	.....	D28/53
D898,284 S	*	10/2020	Stowers	.....	D28/45

D914,980 S	*	3/2021	Rodriguez	.....	D28/54
D946,828 S	*	3/2022	Liang	.....	D28/73
D952,257 S	*	5/2022	Jiang	.....	D28/53
D963,942 S	*	9/2022	Xu	.....	D28/53
D965,894 S	*	10/2022	Werner	.....	D28/53
D965,895 S	*	10/2022	Werner	.....	D28/53
D972,777 S	*	12/2022	Zachrich	.....	D28/53
D972,779 S	*	12/2022	Wang	.....	D28/53
D980,531 S	*	3/2023	Colpitts	.....	D28/53
D983,456 S	*	4/2023	Dai	.....	D28/53

(Continued)

**OTHER PUBLICATIONS**

“Hatteker Beard Trimmer Kit” Sep. 26, 2022, Amazon, site visited Dec. 24, 2022: <https://amzn.to/3VozUpZ> (Year: 2022).\*

(Continued)

*Primary Examiner* — Jack Reickel

*Assistant Examiner* — Salamah Jordan

(74) *Attorney, Agent, or Firm* — Jose Cherson Weissbrot

(57)

**CLAIM**

The ornamental design for a hair trimmer, as shown and described.

**DESCRIPTION**

FIG. 1 is a front perspective view of a hair trimmer showing my new design;

FIG. 2 is a rear perspective view thereof;

FIG. 3 is a front elevational view thereof;

FIG. 4 is a rear elevational view thereof;

FIG. 5 is a left side view thereof;

FIG. 6 is a right side view thereof;

FIG. 7 is a top plan view thereof;

FIG. 8 is a bottom plan view thereof; and,

FIG. 9 is a partial enlarged view of FIG. 1.

The broken lines in the figures are for the purposes of illustrating portions of the hair trimmer, which form no part of the claimed design.

**1 Claim, 5 Drawing Sheets**



(56)

**References Cited**

U.S. PATENT DOCUMENTS

2020/0061856 A1\* 2/2020 Musallam ..... B26B 19/3846  
2021/0229301 A1\* 7/2021 Koepl ..... B26B 19/042  
2021/0229304 A1\* 7/2021 Koepl ..... B26B 19/3846  
2021/0260783 A1\* 8/2021 Koepl ..... B26B 19/20  
2021/0347070 A1\* 11/2021 Röder ..... B26B 19/3846

OTHER PUBLICATIONS

“Professional Hair Clippers” Jun. 1, 2022, Etsy, site visited Dec. 24, 2022: <https://etsy.me/3jlsB5a> (Year: 2022).\*

“Unboxing VGR V-085 hair trimmer” Sep. 8, 2020, Youtube, site visited Dec. 24, 2022: <https://www.youtube.com/watch?v=ELJo4tFZnjY> (Year: 2020).\*

“Philips Bodygroomer 3000 Series” Jul. 3, 2020, Youtube, site visited Dec. 29, 2022: <https://www.youtube.com/watch?v=W8NUezD9HKg> (Year: 2020).\*

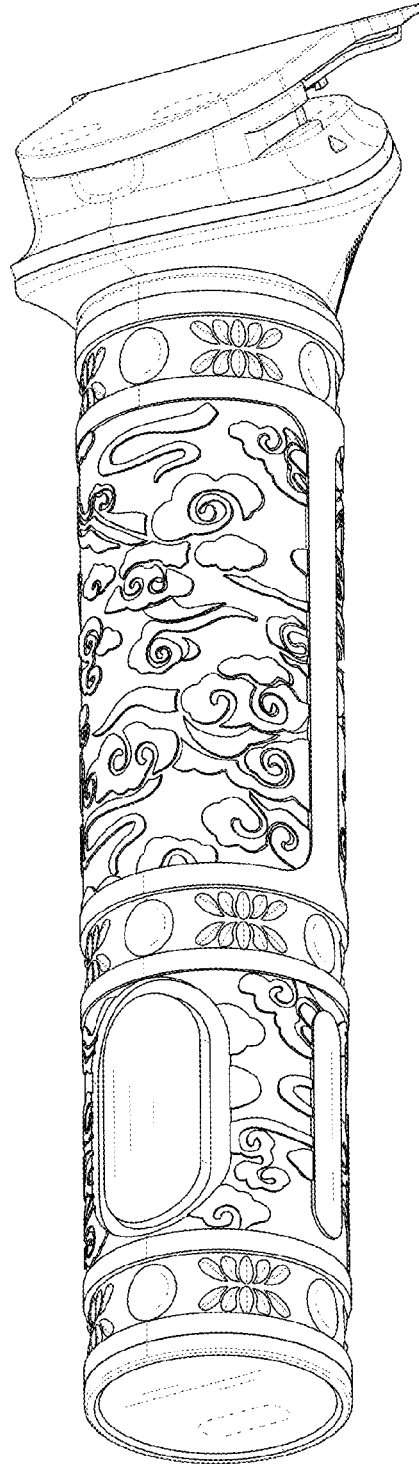
“Nooa Ear Nose Hair Trimmer” May 29, 2019, Amazon, site visited Dec. 28, 2022: <https://amzn.to/3YRwnDI> (Year: 2019).\*

“Motlata” May 17, 2022, Amazon, site visited Jan. 4, 2023: <https://amzn.to/3Gf8Nbp> (Year: 2022).\*

“QREEYX Beard Trimmer Kit” Mar. 29, 2023, Amazon, site visited Jun. 21, 2023: [https://www.amazon.com/QREEYX-Beard-Trimmer-Kit-Men/dp/B0BZTV5NWR/ref=psdc\\_13271079011\\_t3\\_B0BXRYBQKD](https://www.amazon.com/QREEYX-Beard-Trimmer-Kit-Men/dp/B0BZTV5NWR/ref=psdc_13271079011_t3_B0BXRYBQKD) (Year: 2023).\*

“Zesuti Beard Trimmer” Mar. 8, 2023, Amazon, site visited Jun. 21, 2023: <https://www.amazon.com/Zesuti-Professional-Grooming-Mustache-Cordless/dp/B0BXRYBQKD> (Year: 2023).\*

\* cited by examiner

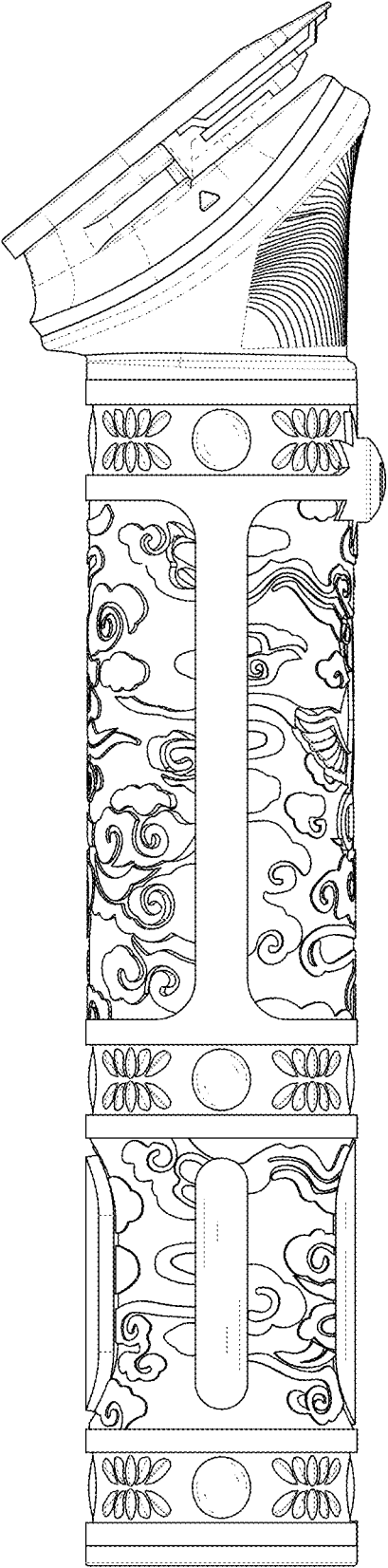




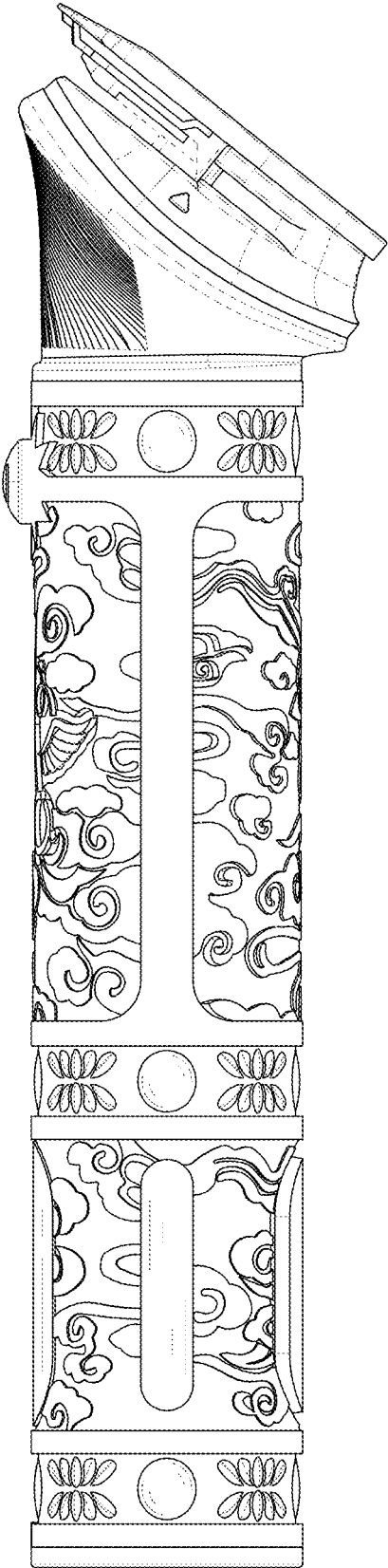
**FIG. 3**



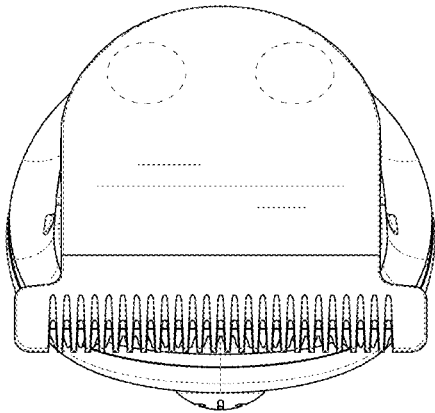
**FIG. 4**



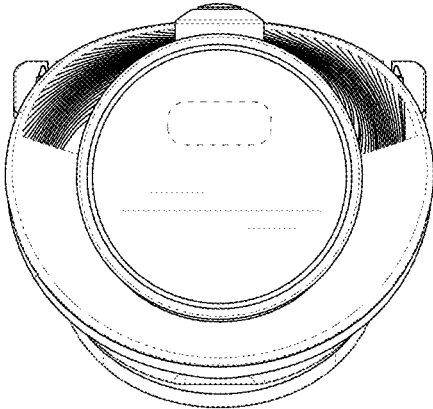
**FIG. 5**



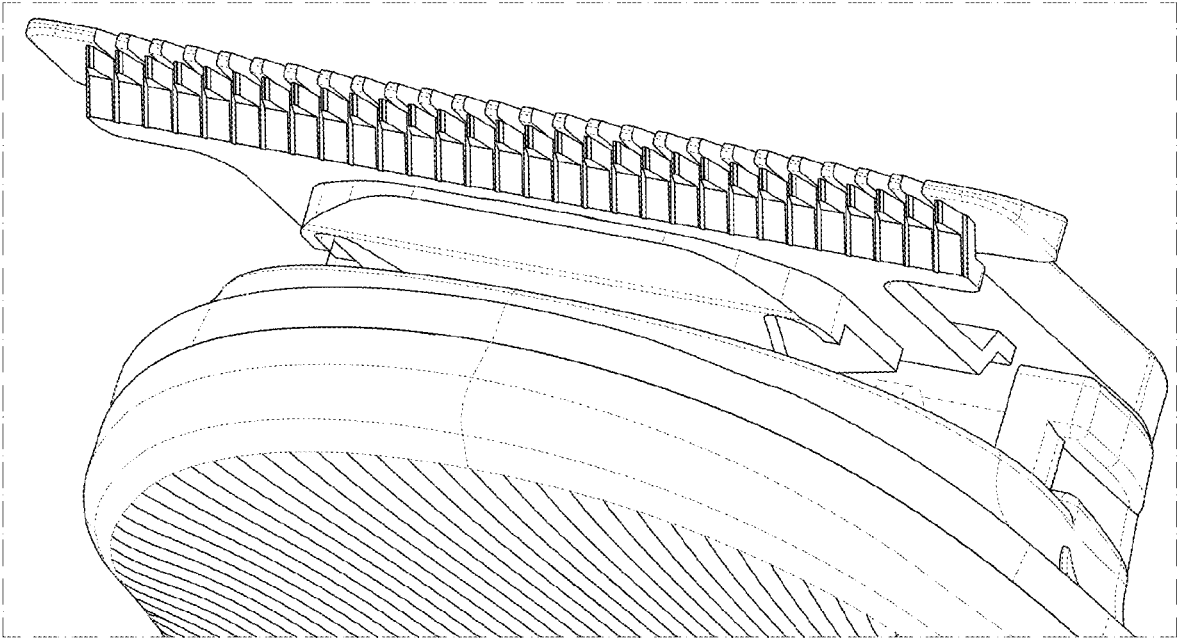
**FIG. 6**



**FIG. 7**



**FIG. 8**



**FIG.9**