

CORRECTED VERSION

(19) World Intellectual Property Organization
International Bureau



(10) International Publication Number
WO 2014/158841 A8

(43) International Publication Date
2 October 2014 (02.10.2014)

- (51) International Patent Classification:
A47J 31/06 (2006.01) A47J 31/36 (2006.01)
- (21) International Application Number:
PCT/US2014/020503
- (22) International Filing Date:
5 March 2014 (05.03.2014)
- (25) Filing Language: English
- (26) Publication Language: English
- (30) Priority Data:
13/804,504 14 March 2013 (14.03.2013) US
- (71) Applicant: KEURIG GREEN MOUNTAIN, INC.
[US/US]; 33 Coffee Lane, Waterbury, VT 05676-8900 (US).
- (72) Inventors: HRISTOV, Stoyan, Plamenov; 8 Ben Place, Billerica, MA 01821 (US). RABINO, Yoav; 75 Osborne

Path, Newton, MA 02459 (US). SHEPARD, James, E.; 3 Calumet Lane, Marblehead, MA 01945 (US).

(74) Agent: HUNT, Robert, E.; Wolf, Greenfield & Sacks, P.C., 600 Atlantic Avenue, Boston, MA 02210-2206 (US).

(81) Designated States (unless otherwise indicated, for every kind of national protection available): AE, AG, AL, AM, AO, AT, AU, AZ, BA, BB, BG, BH, BN, BR, BW, BY, BZ, CA, CH, CL, CN, CO, CR, CU, CZ, DE, DK, DM, DO, DZ, EC, EE, EG, ES, FI, GB, GD, GE, GH, GM, GT, HN, HR, HU, ID, IL, IN, IR, IS, JP, KE, KG, KN, KP, KR, KZ, LA, LC, LK, LR, LS, LT, LU, LY, MA, MD, ME, MG, MK, MN, MW, MX, MY, MZ, NA, NG, NI, NO, NZ, OM, PA, PE, PG, PH, PL, PT, QA, RO, RS, RU, RW, SA, SC, SD, SE, SG, SK, SL, SM, ST, SV, SY, TH, TJ, TM, TN, TR, TT, TZ, UA, UG, US, UZ, VC, VN, ZA, ZM, ZW.

(84) Designated States (unless otherwise indicated, for every kind of regional protection available): ARIPO (BW, GH,

[Continued on next page]

(54) Title: REUSABLE BEVERAGE CARTRIDGE

(57) Abstract: A reusable cartridge (4) and method for forming a beverage using a beverage machine. The cartridge may include a bottom surface (41) with inlet (45) and outlet (46) openings, e.g., arranged to receive an inlet or outlet needle, respectively, and an opening (47) at a top end (42) through which access to the interior space may be had. A filter basket (50) may be inserted or removed into the interior space through the opening (47) and a cover (54) may engage at top to seal the opening (47) closed.

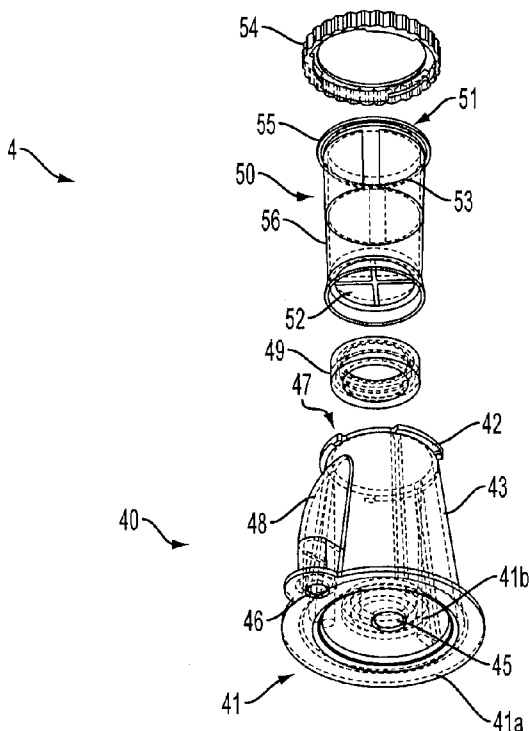


FIG. 2



WO 2014/158841 A8

GM, KE, LR, LS, MW, MZ, NA, RW, SD, SL, SZ, TZ, UG, ZM, ZW), Eurasian (AM, AZ, BY, KG, KZ, RU, TJ, TM), European (AL, AT, BE, BG, CH, CY, CZ, DE, DK, EE, ES, FI, FR, GB, GR, HR, HU, IE, IS, IT, LT, LU, LV, MC, MK, MT, NL, NO, PL, PT, RO, RS, SE, SI, SK, SM, TR), OAPI (BF, BJ, CF, CG, CI, CM, GA, GN, GQ, GW, KM, ML, MR, NE, SN, TD, TG).

Published:

— *with international search report (Art. 21(3))*

(48) Date of publication of this corrected version:

1 October 2015

(15) Information about Correction:

see Notice of 1 October 2015