



US00D915582S

(12) **United States Design Patent**  
**Jiang**

(10) **Patent No.:** **US D915,582 S**

(45) **Date of Patent:** **\*\* Apr. 6, 2021**

(54) **EAR BASIN**

(71) Applicant: **Shenzhen Pig-pig Digital Co., Ltd.**,  
Guangdong (CN)

(72) Inventor: **Gang Jiang**, Guangdong (CN)

(73) Assignee: **Shenzhen Pig-pig Digital Co., Ltd.**,  
Guangdong (CN)

(\*\*) Term: **15 Years**

(21) Appl. No.: **29/743,434**

(22) Filed: **Jul. 21, 2020**

(51) **LOC (13) Cl.** ..... **24-04**

(52) **U.S. Cl.**  
USPC ..... **D24/123**

(58) **Field of Classification Search**  
USPC ..... D24/121-123, 224, 204, 173; 604/317,  
604/318; 4/619, 621, 622; D7/602, 543,  
D7/586  
CPC .. A61M 3/0287; A61G 7/075; A61G 17/0755  
See application file for complete search history.

(56) **References Cited**

**U.S. PATENT DOCUMENTS**

D270,323 S *	8/1983	Powers .....	D7/360
D371,963 S *	7/1996	Ahern, Jr. ....	D7/602
D401,475 S *	11/1998	Ritchey .....	D7/543
6,609,257 B1 *	8/2003	O'Geary .....	A61M 1/008 4/289
6,772,800 B1 *	8/2004	Garcia .....	A47K 3/022 141/2

D607,557 S *	1/2010	Wiggins .....	D24/108
D674,482 S *	1/2013	Wurapa .....	D24/121
D676,138 S *	2/2013	Kingsley .....	D24/204
D746,979 S *	1/2016	Dominguez .....	D24/121
D774,203 S *	12/2016	Zolotnik .....	D24/204
D847,329 S *	4/2019	Schlueter .....	B65D 25/42 D24/123
D865,923 S	11/2019	Wieser et al.	
D879,924 S	3/2020	Seum et al.	
2012/0222210 A1 *	9/2012	Wiggins .....	A61M 3/0287 4/619
2015/0328393 A1 *	11/2015	Stephens .....	A61G 7/0755 4/621

\* cited by examiner

*Primary Examiner* — David G Muller

(74) *Attorney, Agent, or Firm* — ScienBiziP, P.C.

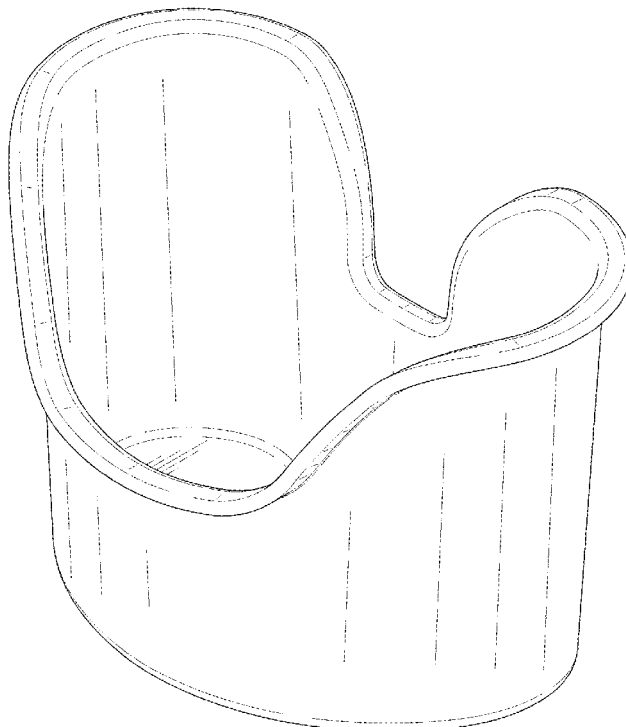
(57) **CLAIM**

The ornamental design for an ear basin, as shown and described.

**DESCRIPTION**

FIG. 1 is a front and top perspective view of an ear basin, showing my design.  
FIG. 2 is a rear and bottom perspective view thereof.  
FIG. 3 is a front elevation view thereof.  
FIG. 4 is a rear elevation view thereof.  
FIG. 5 is a left side elevation view thereof.  
FIG. 6 is a right side elevation view thereof.  
FIG. 7 is a top plan view thereof; and,  
FIG. 8 is a bottom plan view thereof.  
The broken lines in the drawings depict environmental structure and boundaries and form no part of the claimed design.

**1 Claim, 8 Drawing Sheets**



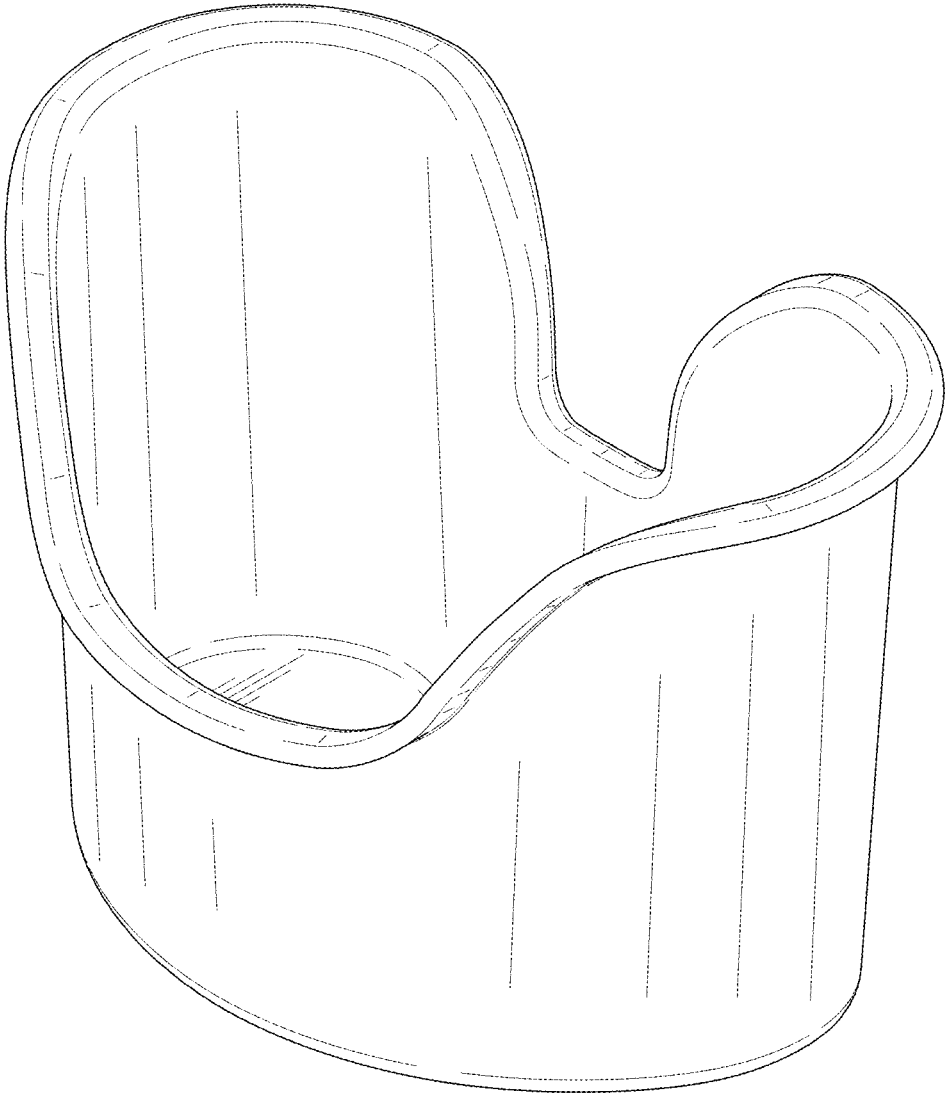


FIG. 1

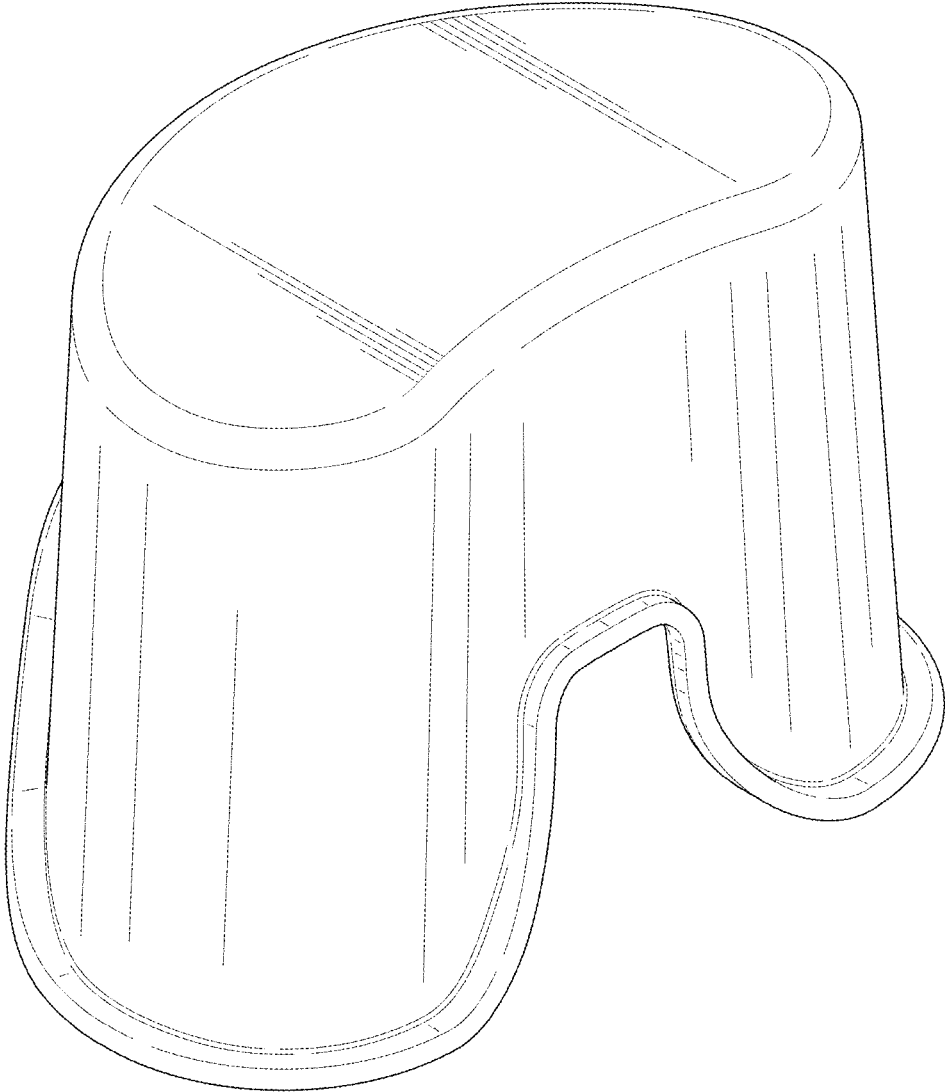


FIG. 2

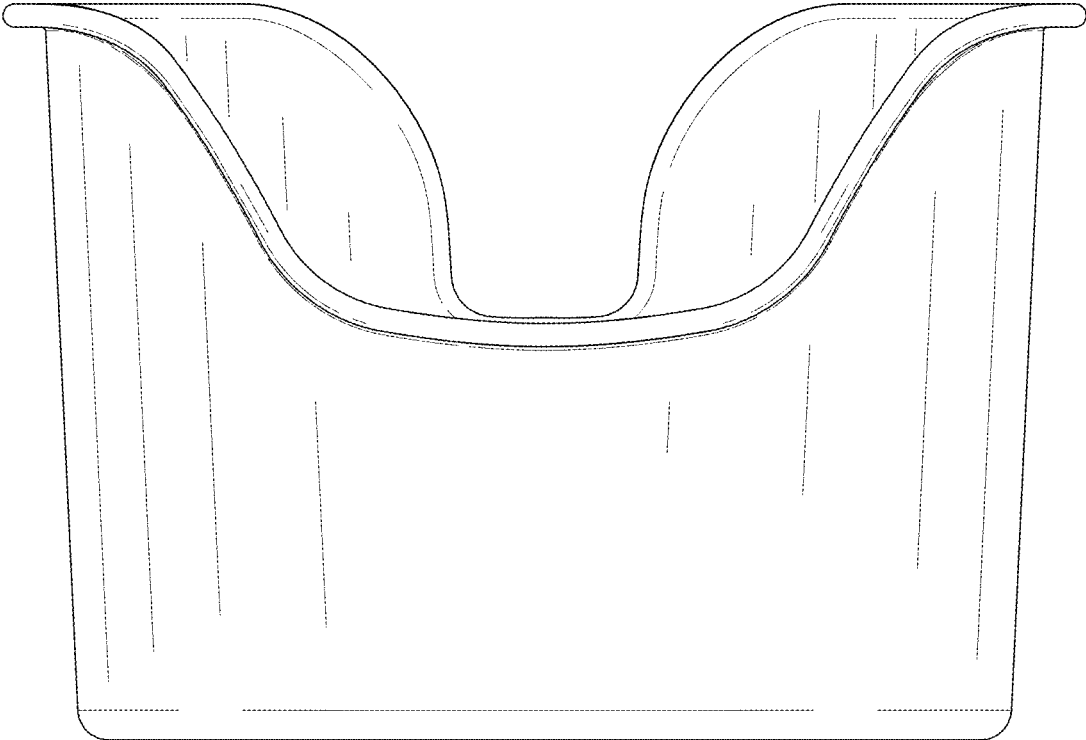


FIG. 3

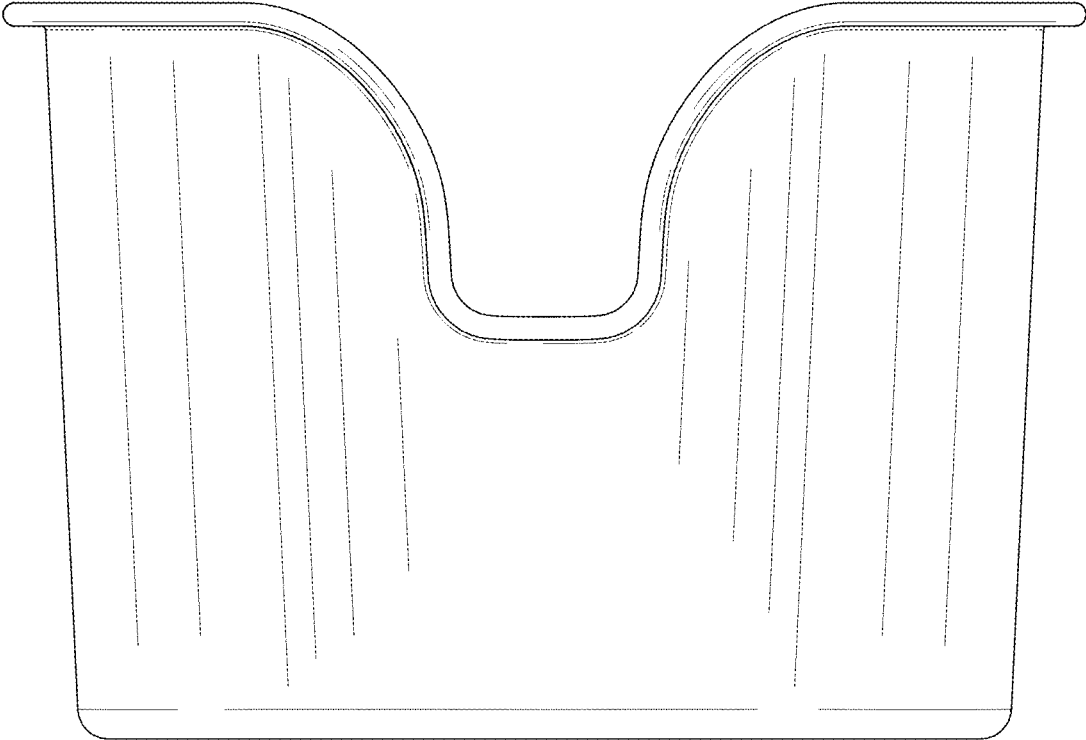


FIG. 4

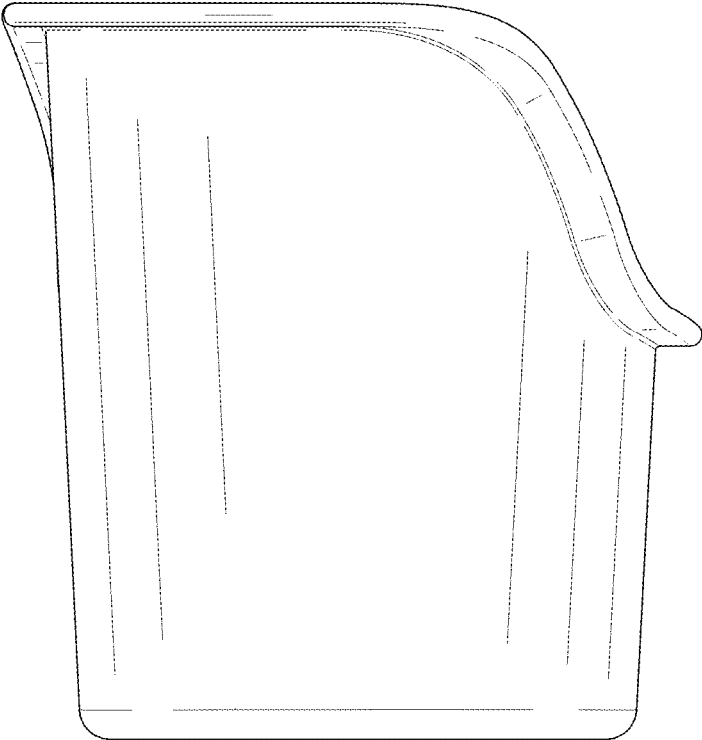


FIG. 5

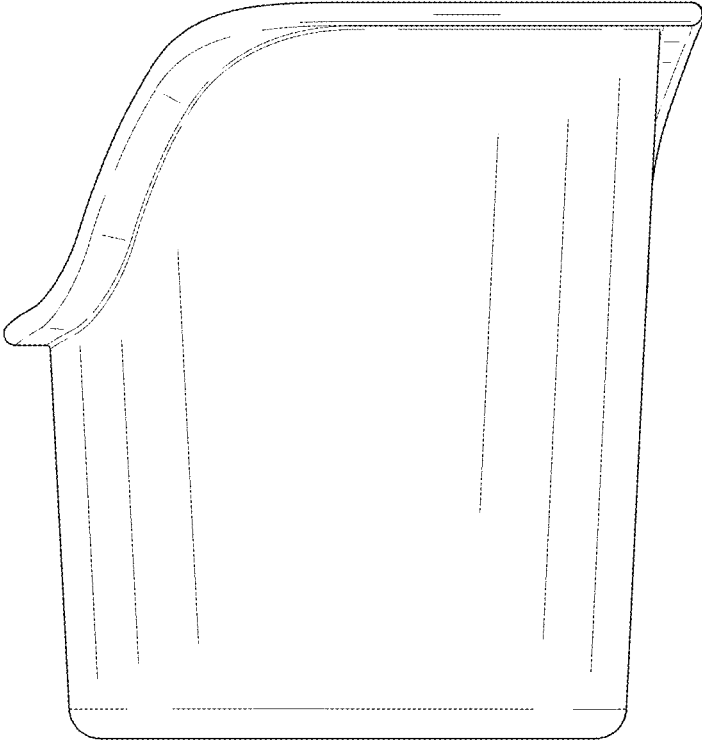


FIG. 6

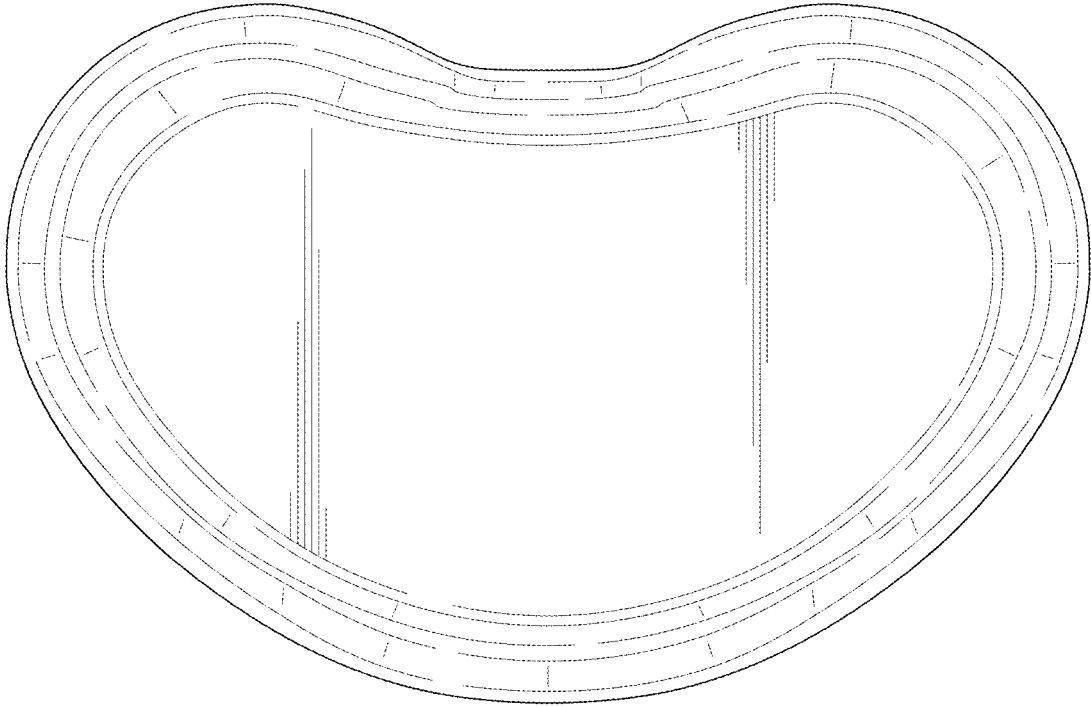


FIG. 7



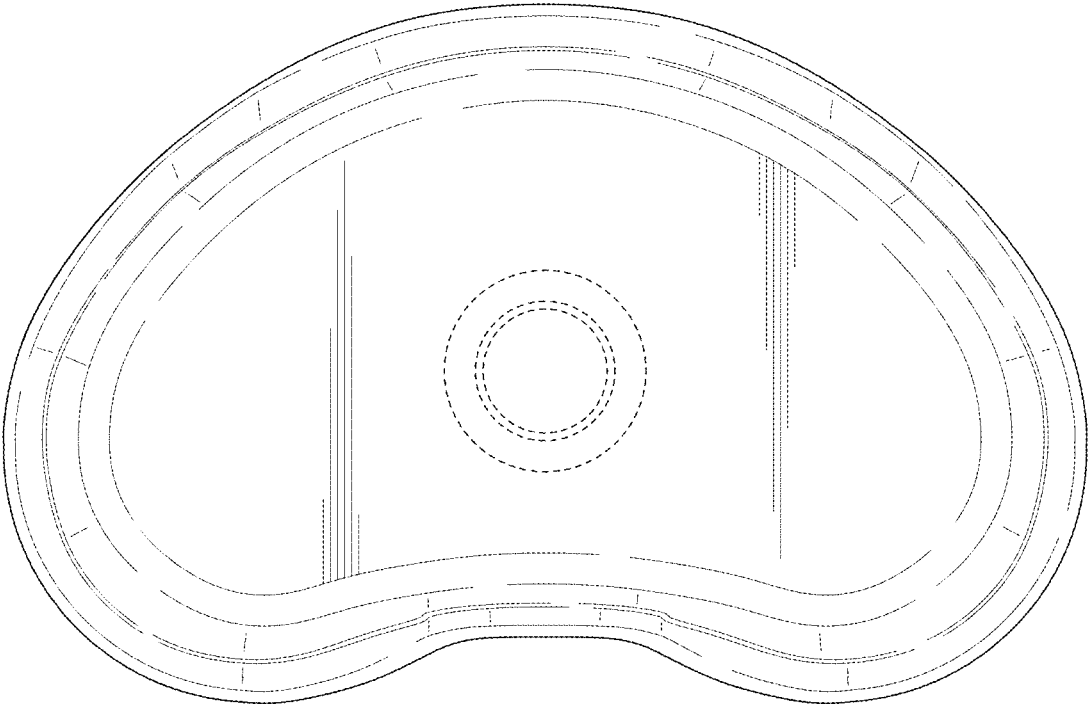


FIG. 8