



US00D656465S

(12) **United States Design Patent**
Au

(10) **Patent No.:** **US D656,465 S**

(45) **Date of Patent:** **** *Mar. 27, 2012**

(54) **VEHICLE POWER ADAPTER**

(75) Inventor: **Ka Hung Au**, Hong Kong (CN)

(73) Assignee: **Ever Win International Corporation**,
City of Industry, CA (US)

(*) Notice: This patent is subject to a terminal disclaimer.

(**) Term: **14 Years**

(21) Appl. No.: **29/401,099**

(22) Filed: **Sep. 7, 2011**

(51) **LOC (9) Cl.** **13-03**

(52) **U.S. Cl.** **D13/144**

(58) **Field of Classification Search** D13/107,
D13/108, 110, 118, 119, 120, 133, 144, 154,
D13/184, 199; 320/107-109; 363/13, 146;
439/300, 620.01, 638, 668-670, 675, 825
See application file for complete search history.

(56) **References Cited**

U.S. PATENT DOCUMENTS

D604,699 S * 11/2009 Yamamoto D13/144
7,679,322 B1 * 3/2010 Griffin 320/114

D624,499 S * 9/2010 Chan D13/144
D624,500 S * 9/2010 Chan D13/144
D625,690 S * 10/2010 Chan D13/144
D626,072 S * 10/2010 Tseng et al. D13/144
D631,837 S * 2/2011 Smith et al. D13/108
D644,990 S * 9/2011 Tseng D13/108

* cited by examiner

Primary Examiner — Daniel Bui

(74) *Attorney, Agent, or Firm* — Joe Nieh

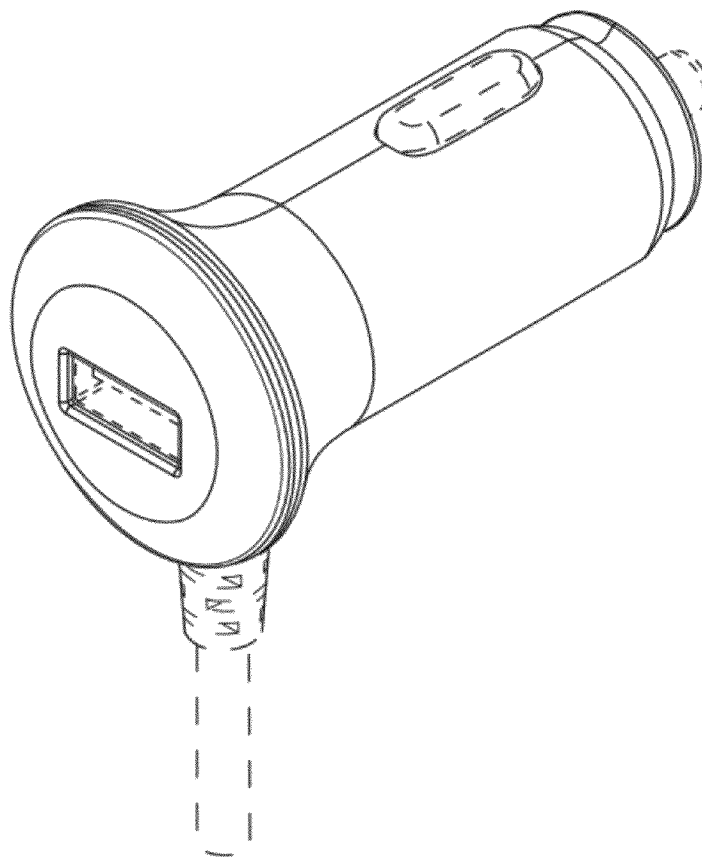
(57) **CLAIM**

The ornamental design for a vehicle power adapter, as shown and described.

DESCRIPTION

FIG. 1 is a front perspective view of a vehicle power adapter showing my new design;
FIG. 2 is a another front perspective view thereof;
FIG. 3 is a front view thereof;
FIG. 4 is a left side view thereof;
FIG. 5 is fight side view thereof;
FIG. 6 is a rear view thereof;
FIG. 7 is a top plan view thereof; and,
FIG. 8 is a bottom plan view thereof.

1 Claim, 8 Drawing Sheets



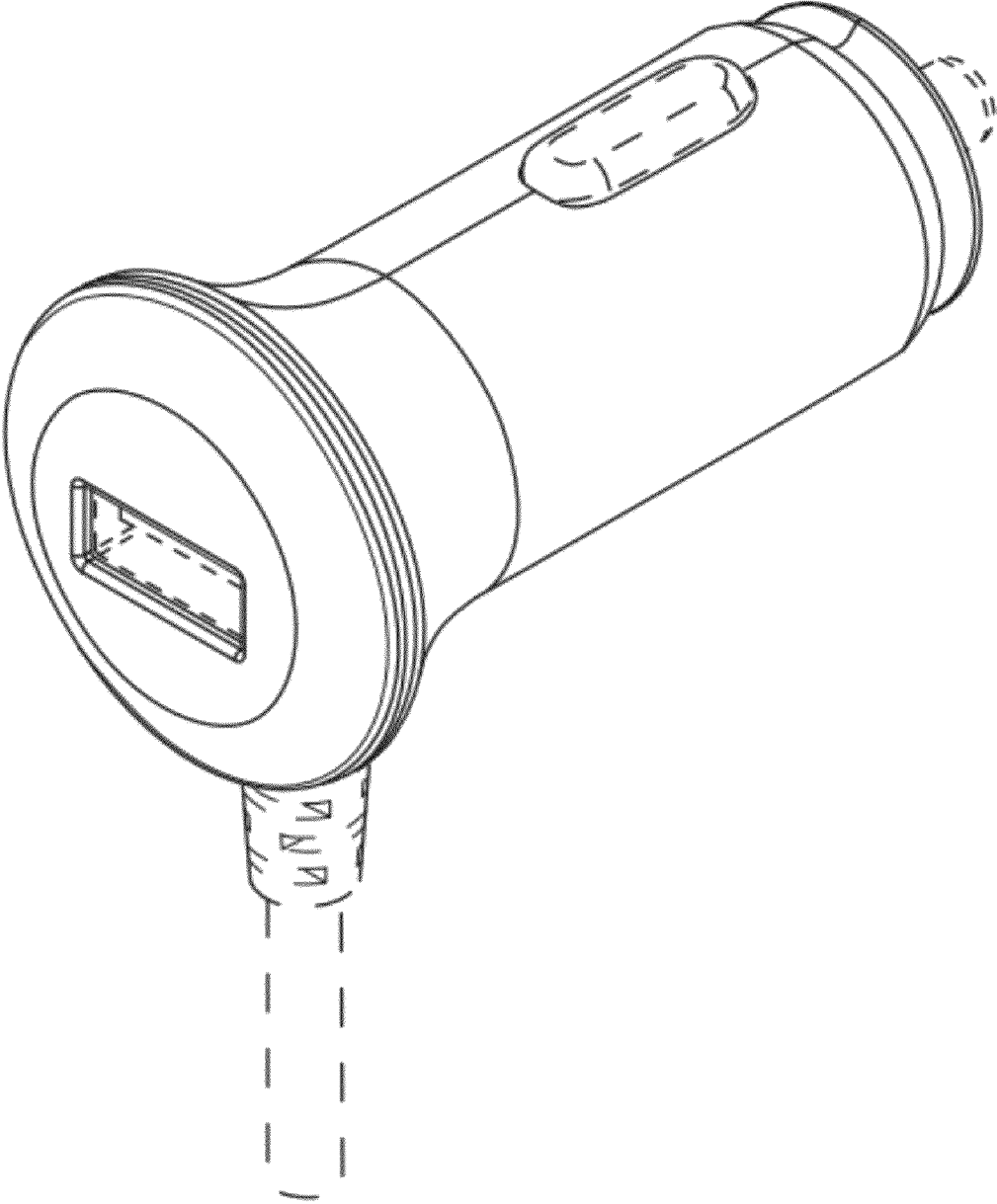


Fig. 1

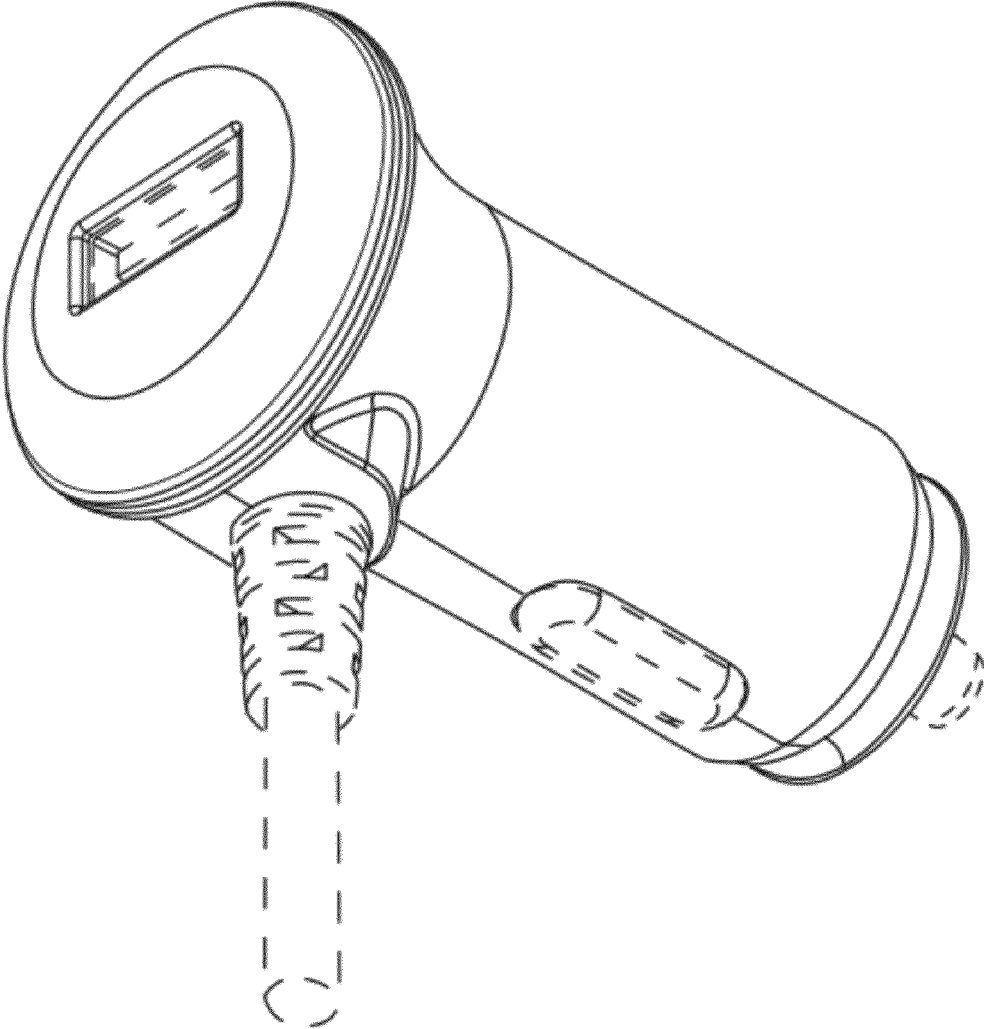


Fig. 2

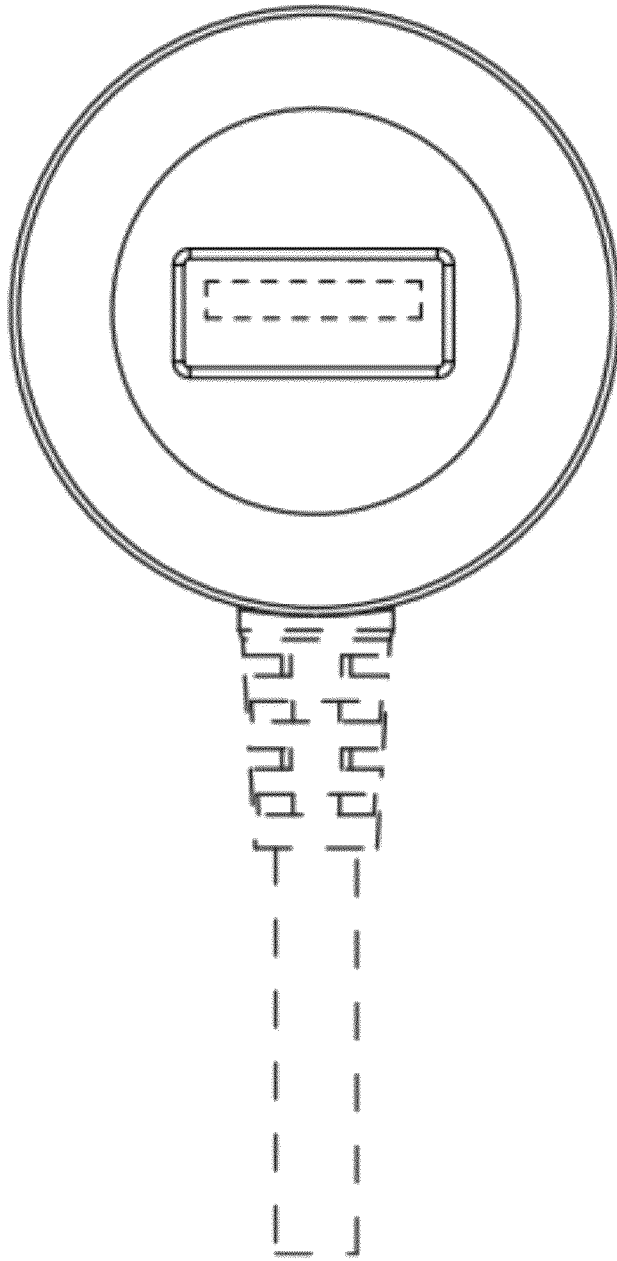


Fig. 3

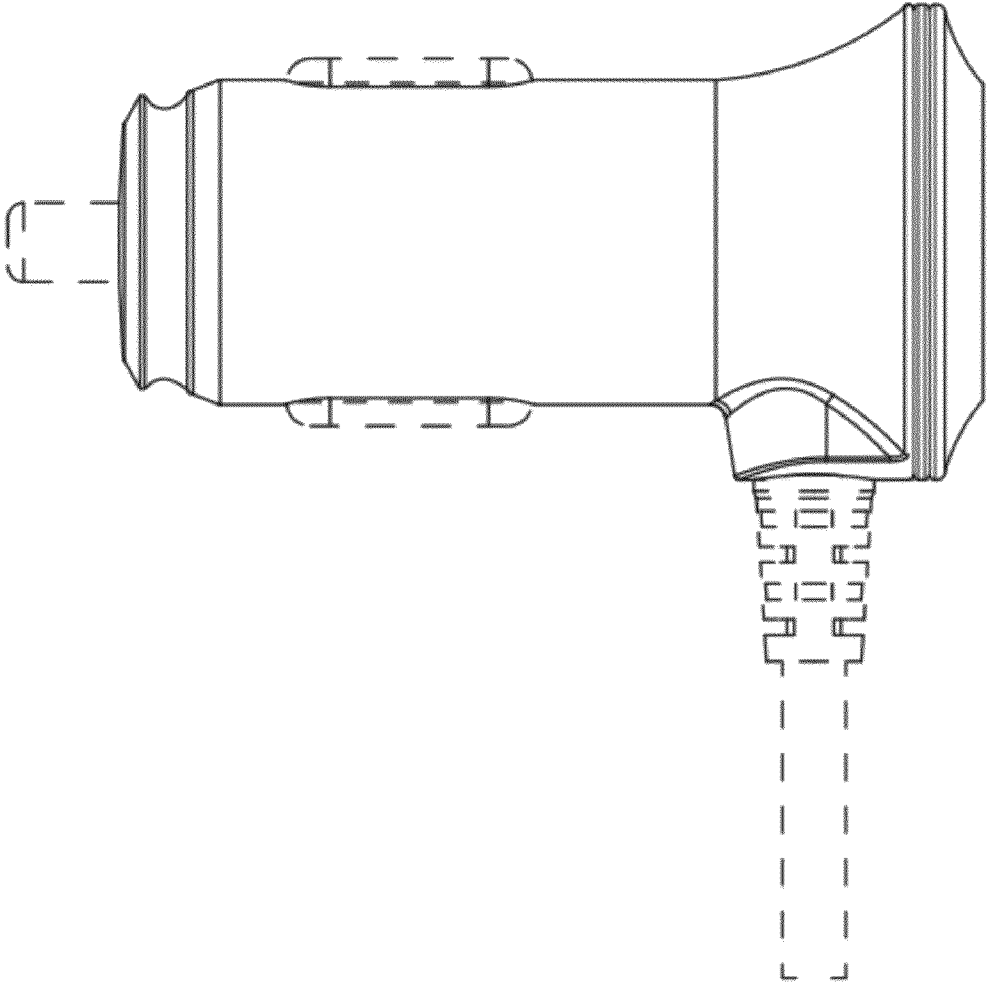


Fig. 4

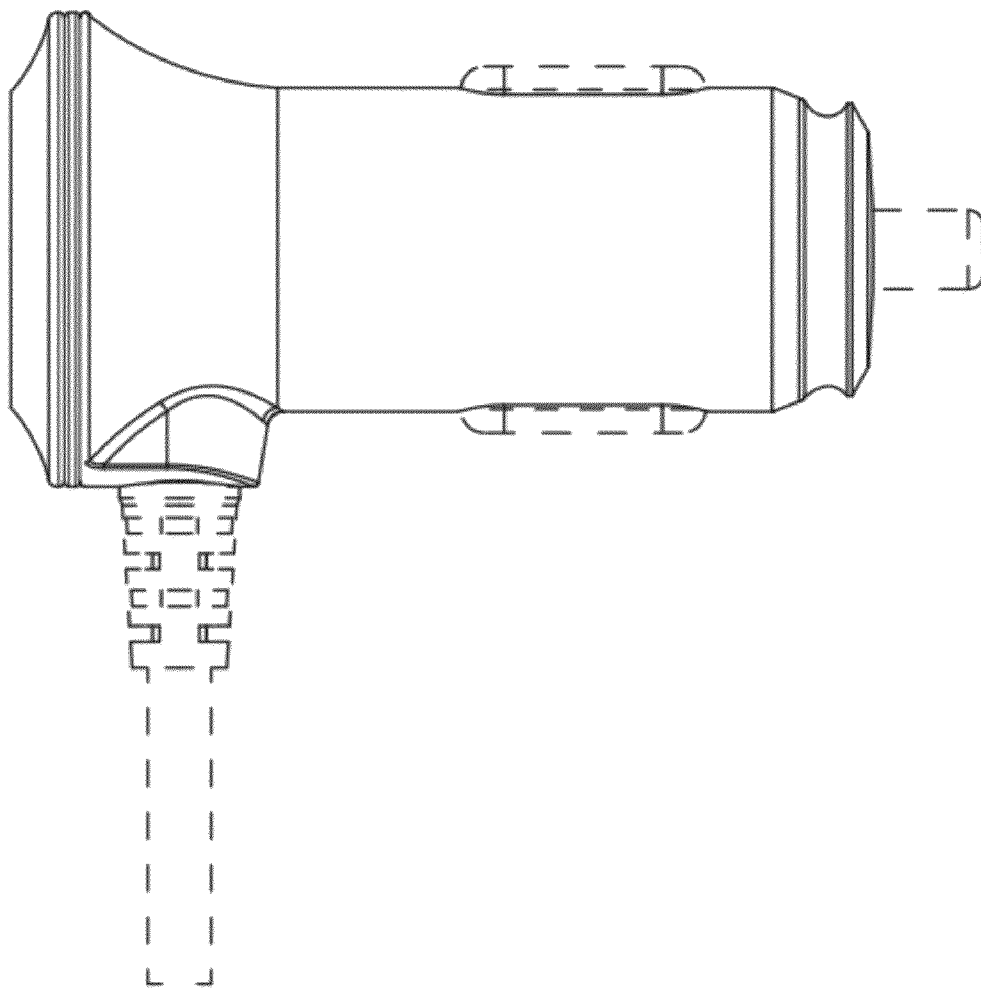


Fig. 5

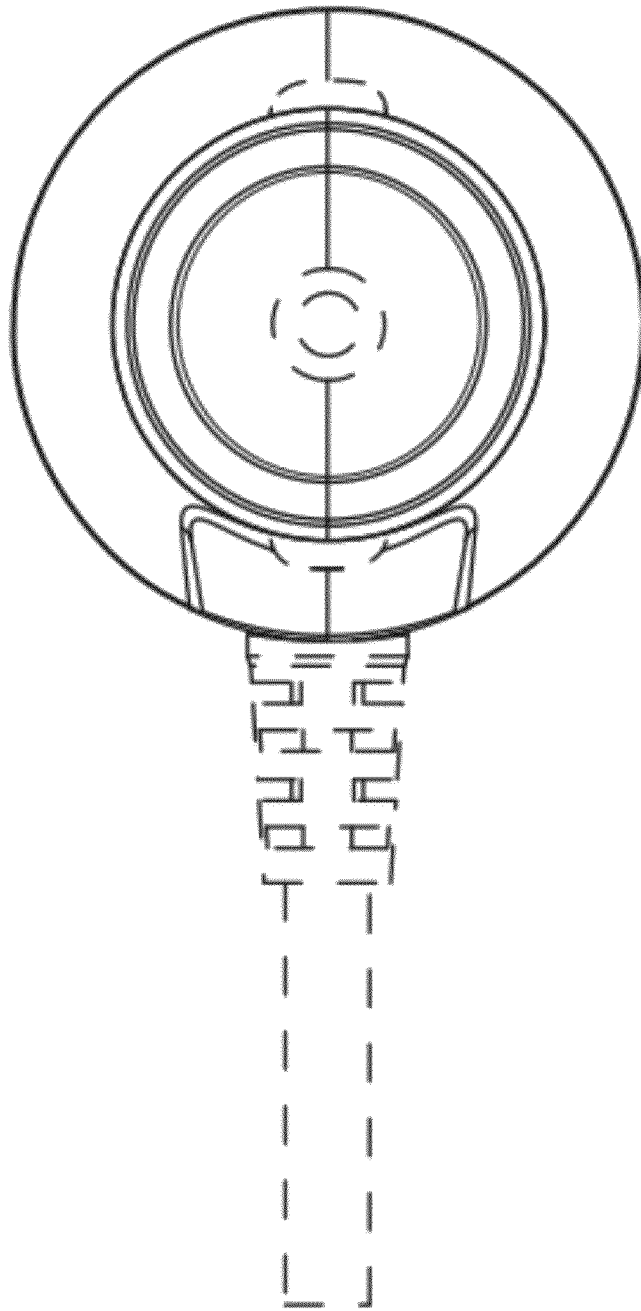


Fig. 6

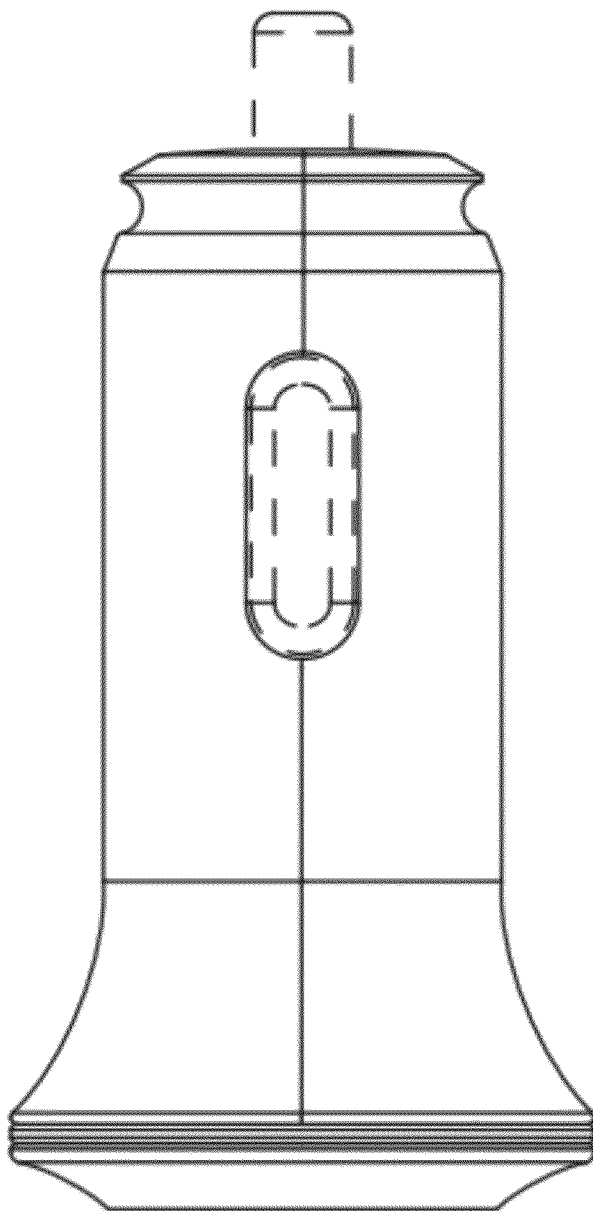


Fig. 7

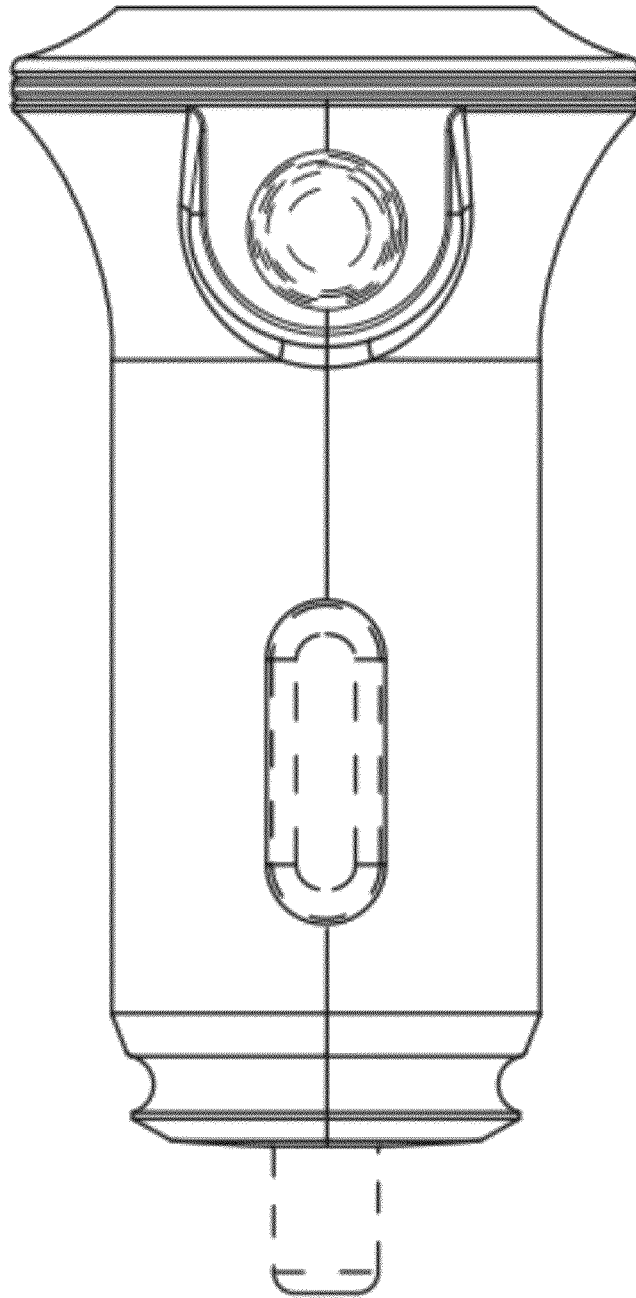


Fig. 8