



US00D440288S

(12) **United States Design Patent** (10) **Patent No.:** **US D440,288 S**
Schaefer (45) **Date of Patent:** **** Apr. 10, 2001**

(54) **COMBINED RESERVOIR STAND AND MISTING CIRCULATION FAN**
(76) Inventor: **Ronald E. Schaefer**, 3402 22nd St. South, #316, St. Cloud, MN (US) 56301

(**) Term: **14 Years**

(21) Appl. No.: **29/110,483**
(22) Filed: **Sep. 8, 1999**

(51) **LOC (7) Cl.** **23-04**
(52) **U.S. Cl.** **D23/328; D23/370; D23/382; D9/337**
(58) **Field of Search** **D23/382, 381, D23/328, 332; 416/63, 146 R, 247 R, 95; D9/518, 337**

(56) **References Cited**
U.S. PATENT DOCUMENTS

D. 386,572 * 11/1997 Radtke et al. D23/328
4,818,183 4/1989 Schaefer .
4,981,214 * 1/1991 Rojas 206/430
5,647,499 * 7/1997 Piazza 220/269

OTHER PUBLICATIONS

Packaging, Can (A), bottom left side of page, Sep. 1985.*
Packaging, Can (B), top right side of page, Sep. 1987.*

* cited by examiner

Primary Examiner—Lisa Lichtenstein
(74) *Attorney, Agent, or Firm*—Mackall, Crouse & Moore, PLC

(57) **CLAIM**

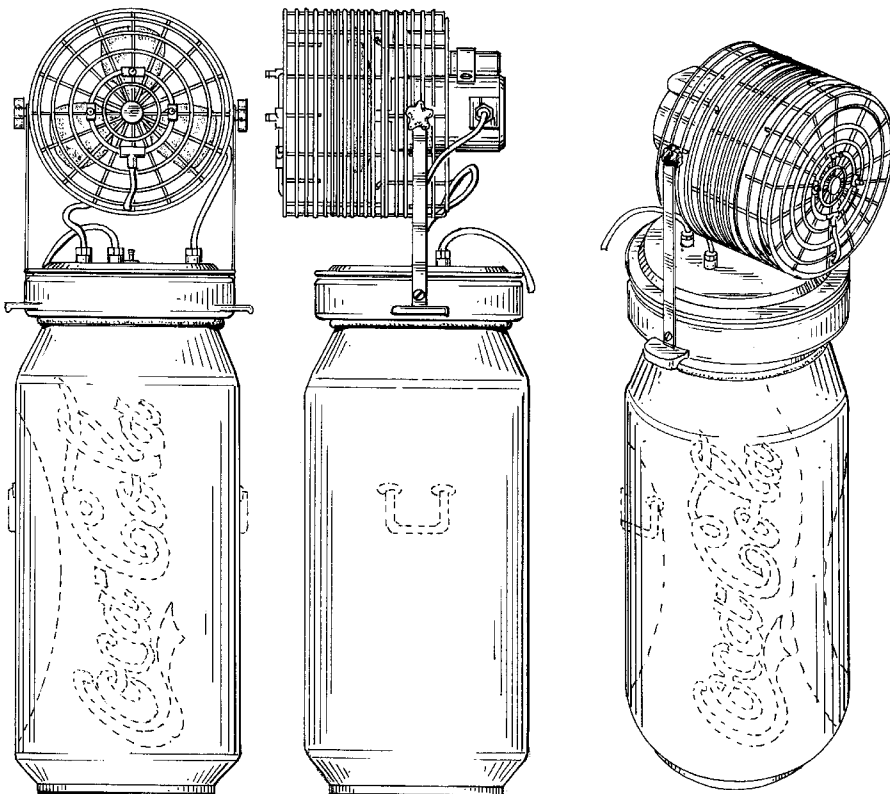
The ornamental design for a combined reservoir stand and misting circulation fan, as shown and described.

DESCRIPTION

FIG. 1 is a front elevational view showing my new design for a reservoir stand and misting circulation fan;
FIG. 2 is a left side elevational view;
FIG. 3 is a rear elevational view;
FIG. 4 is a right side elevational view;
FIG. 5 is a top plan view;
FIG. 6 is a bottom plan view; and,
FIG. 7 is a perspective view.

The broken-line showing of environmental structure in FIGS. 1-4 is for illustrative purposes only and forms no part of the claimed design.

1 Claim, 4 Drawing Sheets



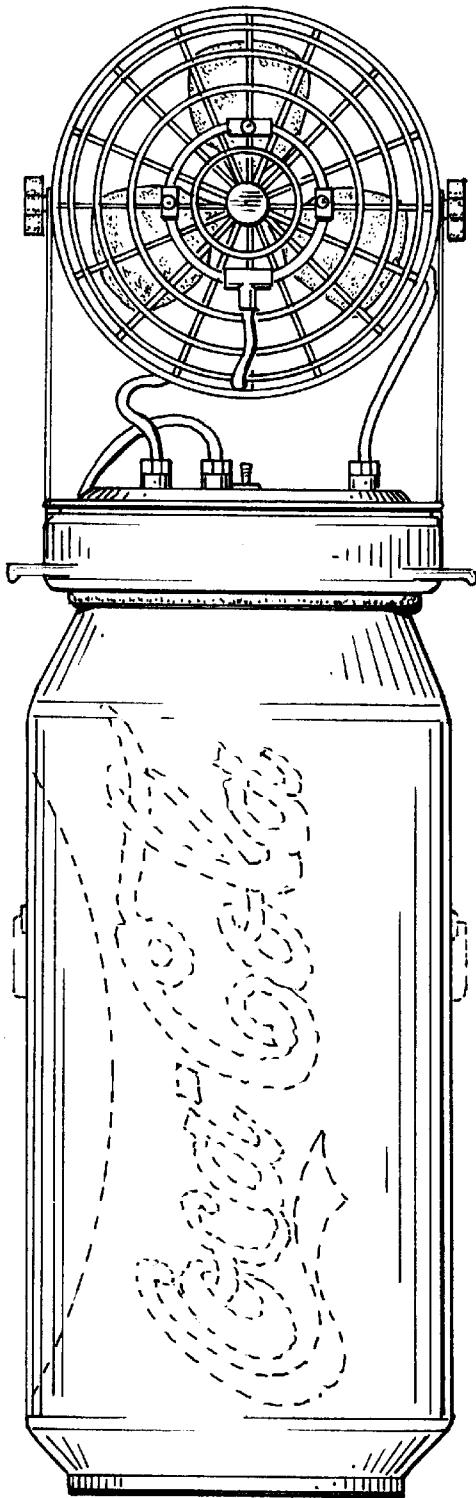


Fig. 1.

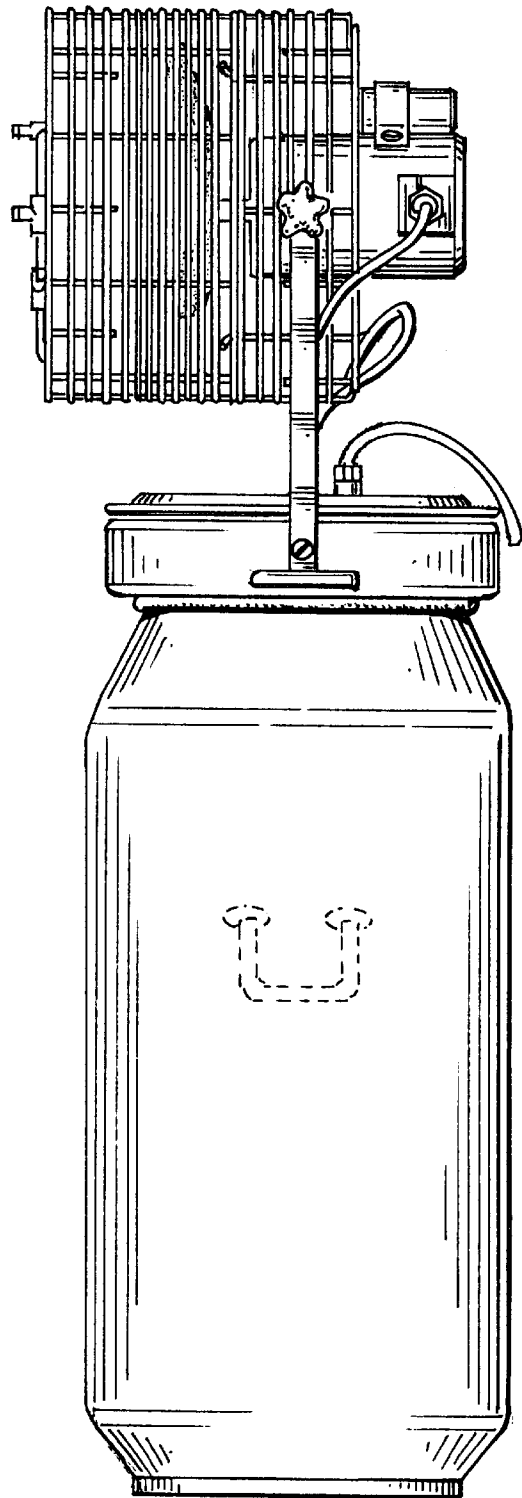


Fig. 2.

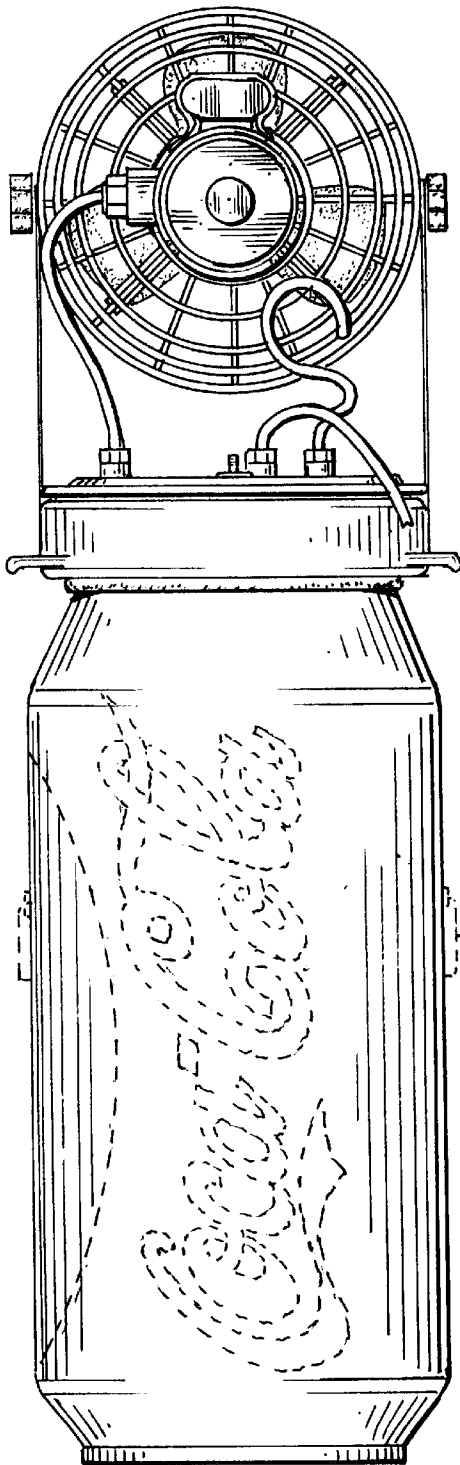


Fig. 3.

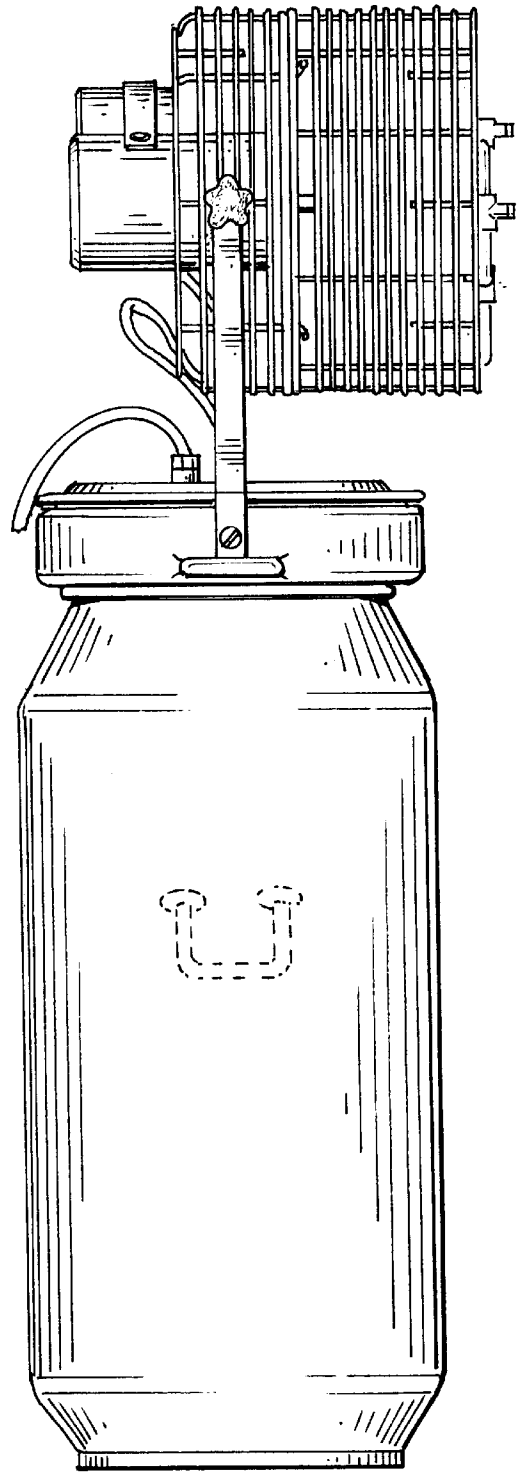


Fig. 4.

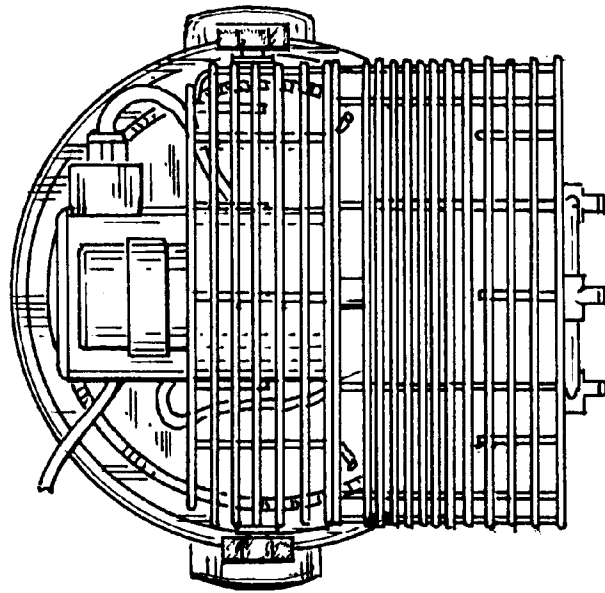


Fig. 5.

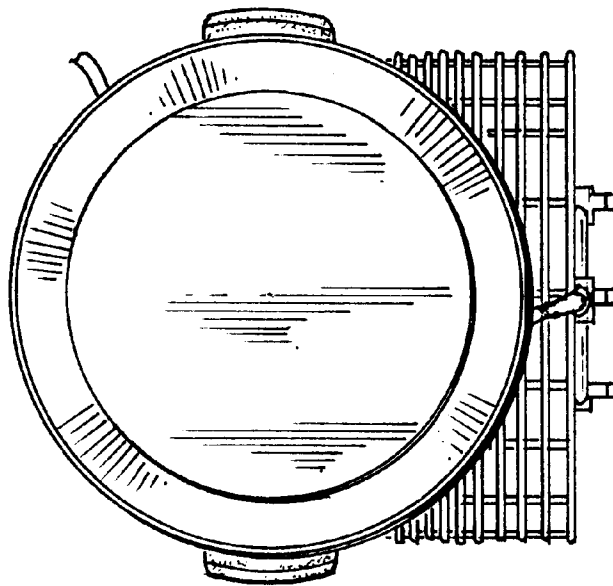


Fig. 6.

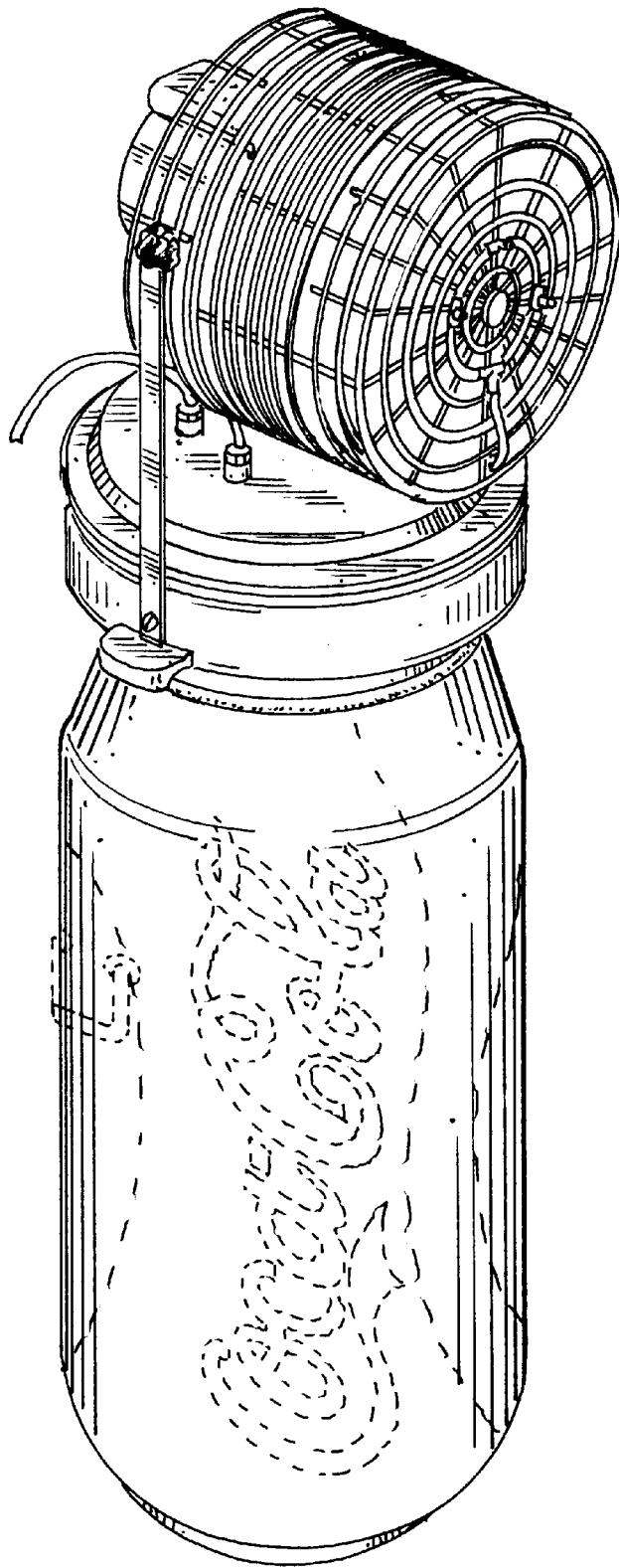


Fig. 1.