



US00D901094S

(12) **United States Design Patent**
White

(10) **Patent No.:** **US D901,094 S**

(45) **Date of Patent:** **** Nov. 3, 2020**

(54) **SCENT TRAINING DOG BOWL**
(71) Applicant: **Nicholas White**, Catlett, VA (US)
(72) Inventor: **Nicholas White**, Catlett, VA (US)
(**) Term: **15 Years**

Primary Examiner — Michael C Stout
Assistant Examiner — Katrina N Gonzalez
(74) *Attorney, Agent, or Firm* — Hanrahan Law Firm
P.A.; Benjamin M. Hanrahan

(21) Appl. No.: **29/660,133**

(57) **CLAIM**

The ornamental design for a scent training dog bowl, as shown and described.

(22) Filed: **Aug. 17, 2018**

DESCRIPTION

(51) **LOC (12) Cl.** **30-03**

(52) **U.S. Cl.**
USPC **D30/129**

(58) **Field of Classification Search**
USPC D30/121, 122, 129–133, 199
CPC A01K 5/00
See application file for complete search history.

FIG. 1 is a top perspective view of a scent training dog bowl with a scent pod attached, showing my new design.
FIG. 2 is a bottom perspective view thereof.
FIG. 3 is a top view thereof.
FIG. 4 is a bottom view thereof.
FIG. 5 is a front view thereof.
FIG. 6 is a rear view thereof.
FIG. 7 is a left side view thereof.
FIG. 8 is a right side view thereof.
FIG. 9 is a top perspective view thereof, but shown with the scent pod removed for completeness of illustration.
FIG. 10 is a bottom perspective view thereof.
FIG. 11 is a top view thereof.
FIG. 12 is a bottom view thereof.
FIG. 13 is a top perspective view of the scent pod, shown removed from the bowl for completeness of illustration.
FIG. 14 is a bottom perspective view thereof.
FIG. 15 is a top view thereof.
FIG. 16 is a bottom view thereof.
FIG. 17 is a front view thereof.
FIG. 18 is a left side view thereof.
FIG. 19 is a right side view thereof.
FIG. 20 is a rear view thereof; and,
FIG. 21 is an exploded perspective view of the scent training dog bowl with scent pod.

(56) **References Cited**

U.S. PATENT DOCUMENTS

2,561,594	A	7/1951	Harry	
D245,104	S	7/1977	Gross	
4,699,089	A	10/1987	Teschke	
D296,485	S *	6/1988	Peterson	D30/130
4,949,678	A	8/1990	Demko	
5,113,798	A *	5/1992	Rera	A01K 5/0142
				119/51.5
D352,139	S *	11/1994	King	D30/130
5,752,464	A	5/1998	King et al.	

(Continued)

FOREIGN PATENT DOCUMENTS

KR 20130047141 A 5/2013

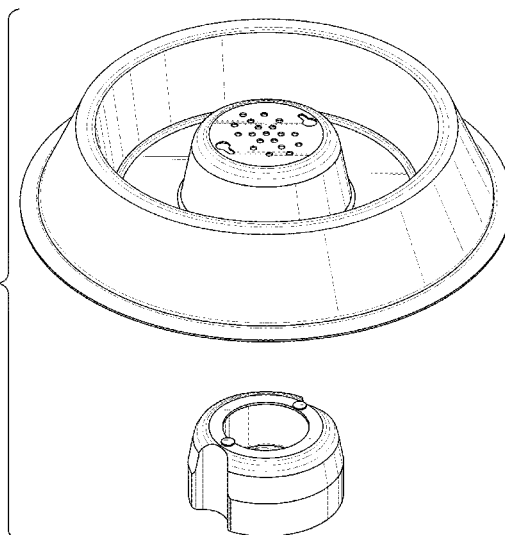
OTHER PUBLICATIONS

“Focused K9 Odor Bowl: The Easiest and Fastest Way to Imprint Your Dog on Odor” (via YouTube), available Sep. 15, 2018, [online], [site visited Feb. 28, 2020]. Retrieved from Internet, URL:<https://www.youtube.com/watch?v=SV-xbnJ7Go0> (Year: 2018).*

(Continued)

The broken lines shown in FIGS. 13, 15 and 21 illustrate environmental structure that forms no part of the claimed design.

1 Claim, 13 Drawing Sheets



(56)

References Cited

U.S. PATENT DOCUMENTS

D423,732 S * 4/2000 McGee D30/129
 D446,362 S * 8/2001 Choi A01K 5/0135
 D448,127 S * 9/2001 Zelinger D30/129
 6,314,911 B1 11/2001 Kaytovich
 D523,185 S * 6/2006 Oliphant A01K 5/0142
 D523,996 S * 6/2006 Fine D30/129
 7,207,291 B1 4/2007 Watts
 D554,316 S * 10/2007 Brothers D30/129
 D602,653 S * 10/2009 Mendenhall D30/130
 7,856,944 B1 12/2010 Stauffer
 8,342,128 B2 1/2013 Rocker
 8,381,684 B2 2/2013 Crawford
 D682,482 S 5/2013 Nelson
 D694,849 S 12/2013 Ots
 D718,004 S * 11/2014 Stovall D30/129
 D745,386 S 12/2015 Covey et al.
 D762,017 S 7/2016 Tsengas
 9,545,081 B2 1/2017 Nolan
 D799,756 S * 10/2017 Fox D30/124
 D805,700 S 12/2017 Owens, III
 D874,742 S * 2/2020 Glaros D30/129

2005/0224003 A1 10/2005 Yin et al.
 2006/0137241 A1 6/2006 Yamasaki et al.
 2007/0074667 A1 4/2007 Quinn
 2008/0216754 A1 9/2008 Lorenzana et al.
 2009/0044755 A1 2/2009 Volotzky
 2012/0210942 A1 8/2012 Wacker
 2013/0291802 A1 11/2013 Carpentieri
 2015/0114301 A1 4/2015 Nolan
 2016/0174525 A1 6/2016 DeGreeff et al.
 2017/0035025 A1 2/2017 Oates
 2017/0367298 A1 12/2017 Maughan
 2020/0077621 A1 3/2020 Houx

OTHER PUBLICATIONS

“Imprint-A-Scent Starter Kit 700ML” available Feb. 27, 2020, [online], [site visited Feb. 27, 2020]. Retrieved from Internet, URL:<https://detectiondog.com/product/imprint-a-scent-starter-kit-700ml-s-l-dogs/> (Year: 2020).*
 Machine-Generated English Translation of KR20130047141 obtained at <https://translationportal.epo.org/emtp/translate/?ACTION=description-retrieval&COUNTRY=KR&ENGINE=google&FORMAT=docdb&KIND=A&LOCALE=en_EP&NUMBER=20130047141&SRCLANG=ko&TRGLANG=en>.

* cited by examiner

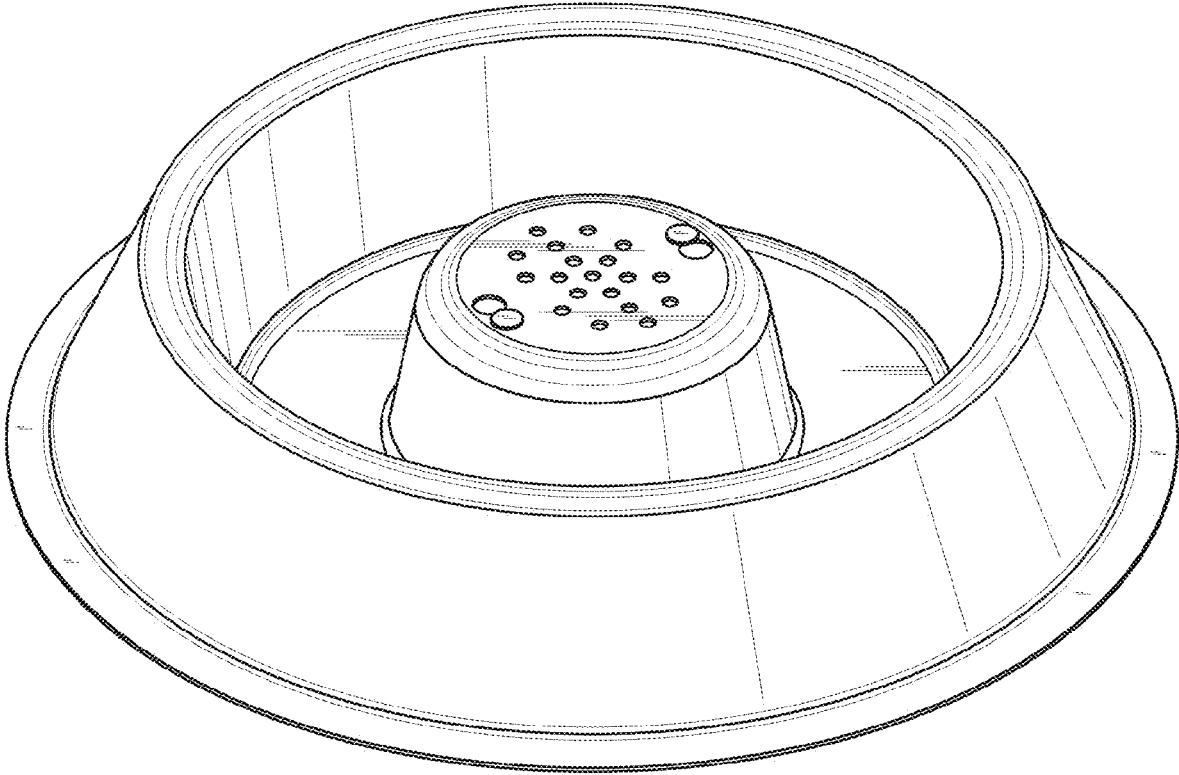


FIG. 1

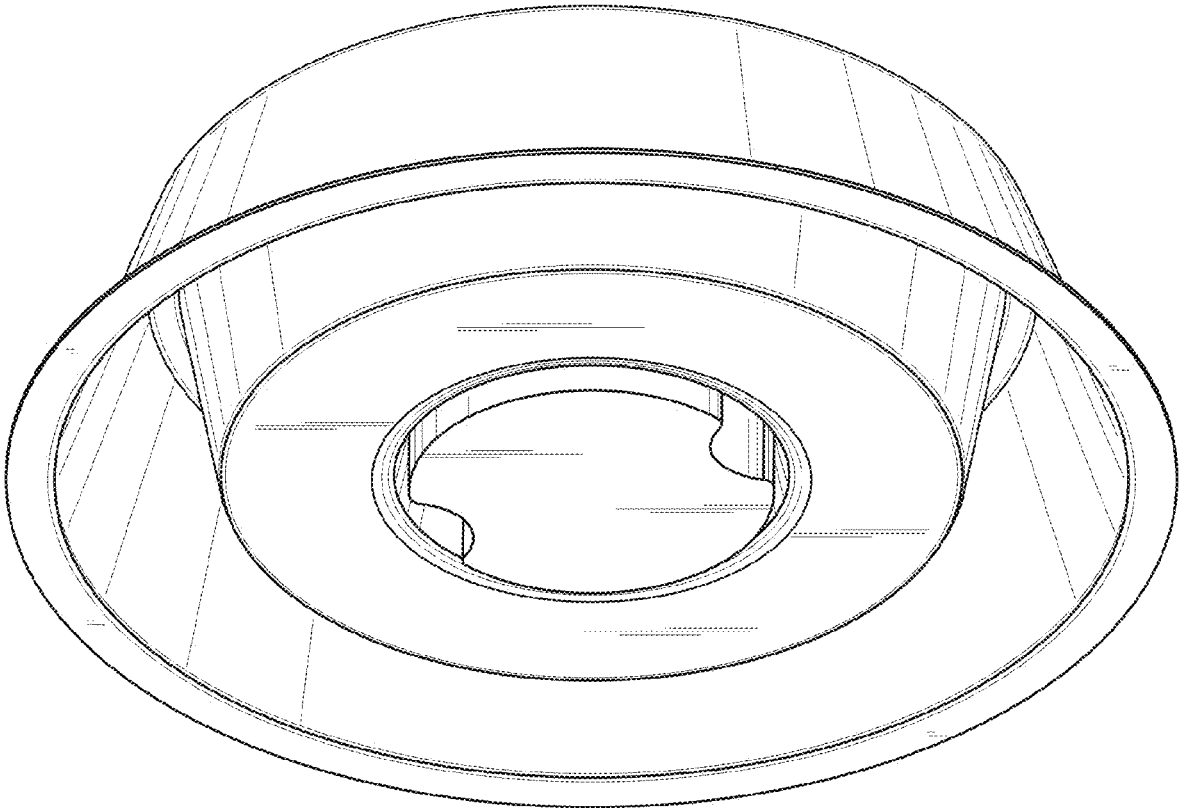


FIG. 2

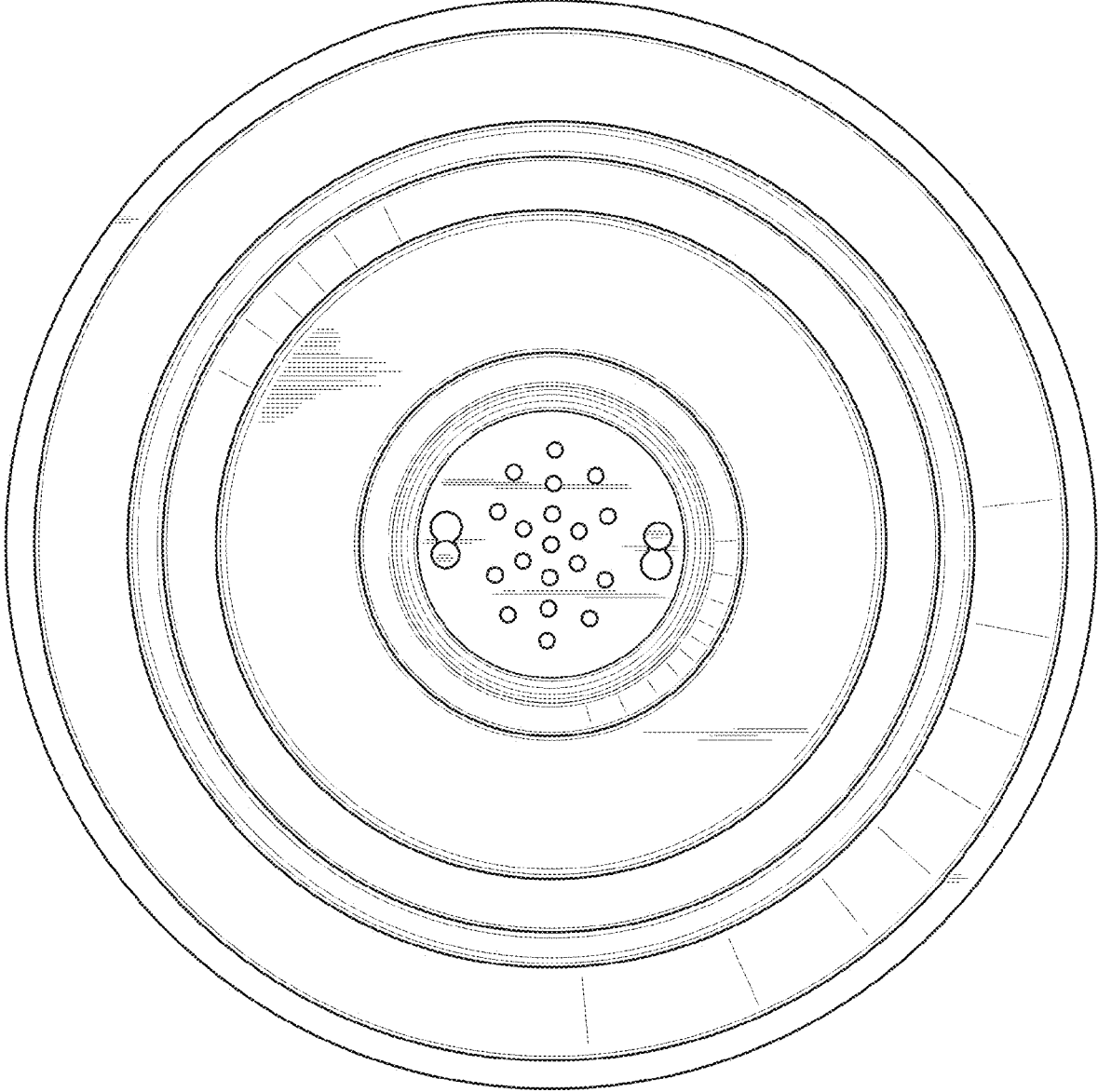


FIG. 3

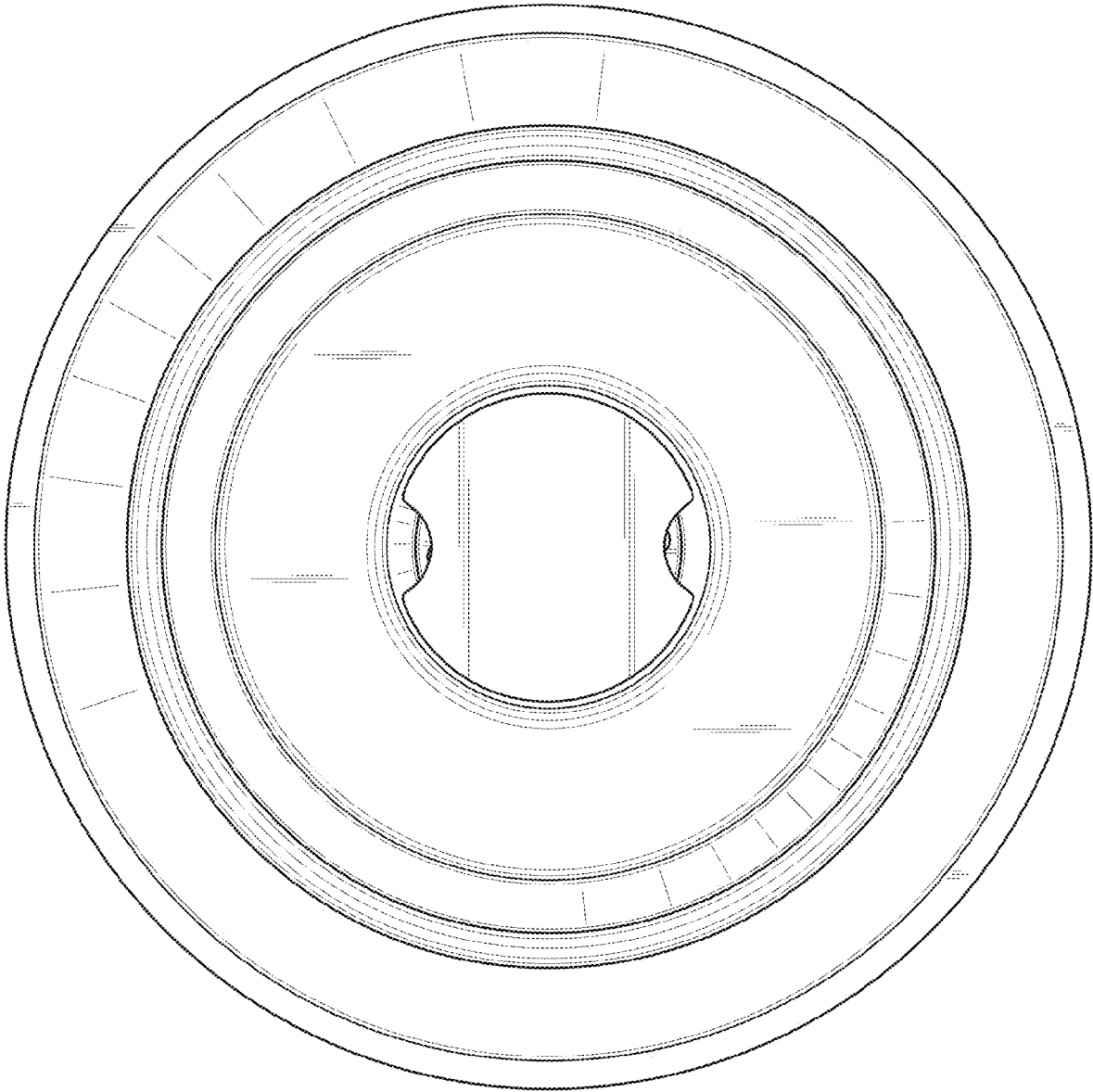


FIG. 4

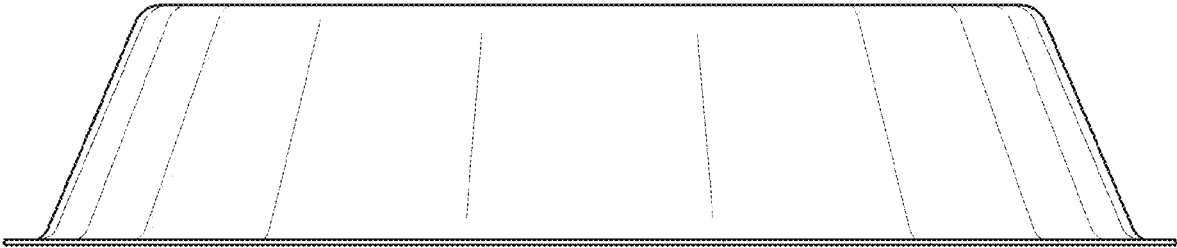


FIG. 5

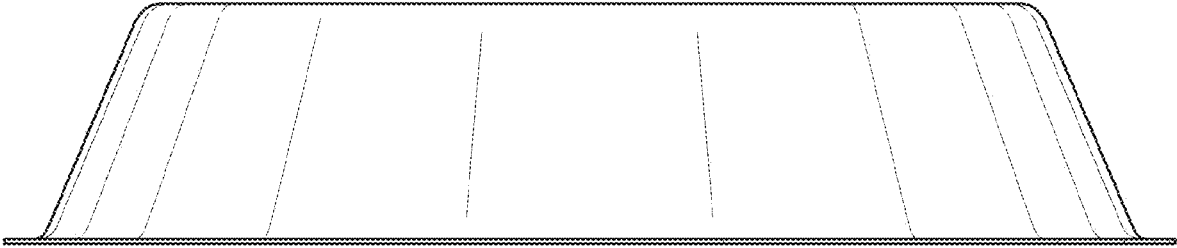


FIG. 6

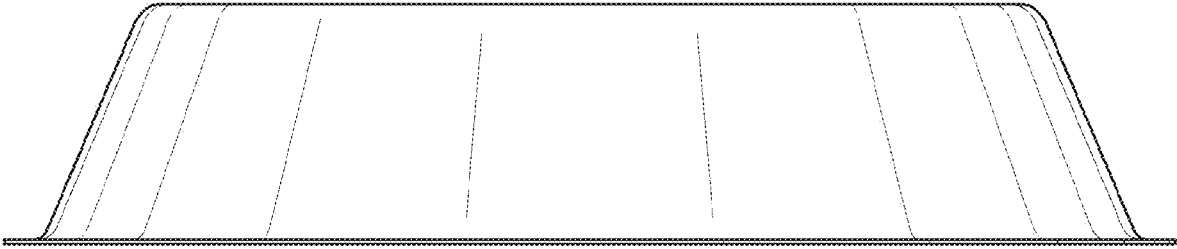


FIG. 7

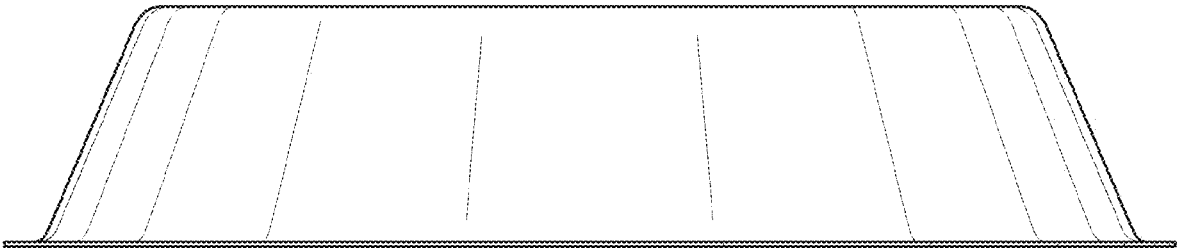


FIG. 8

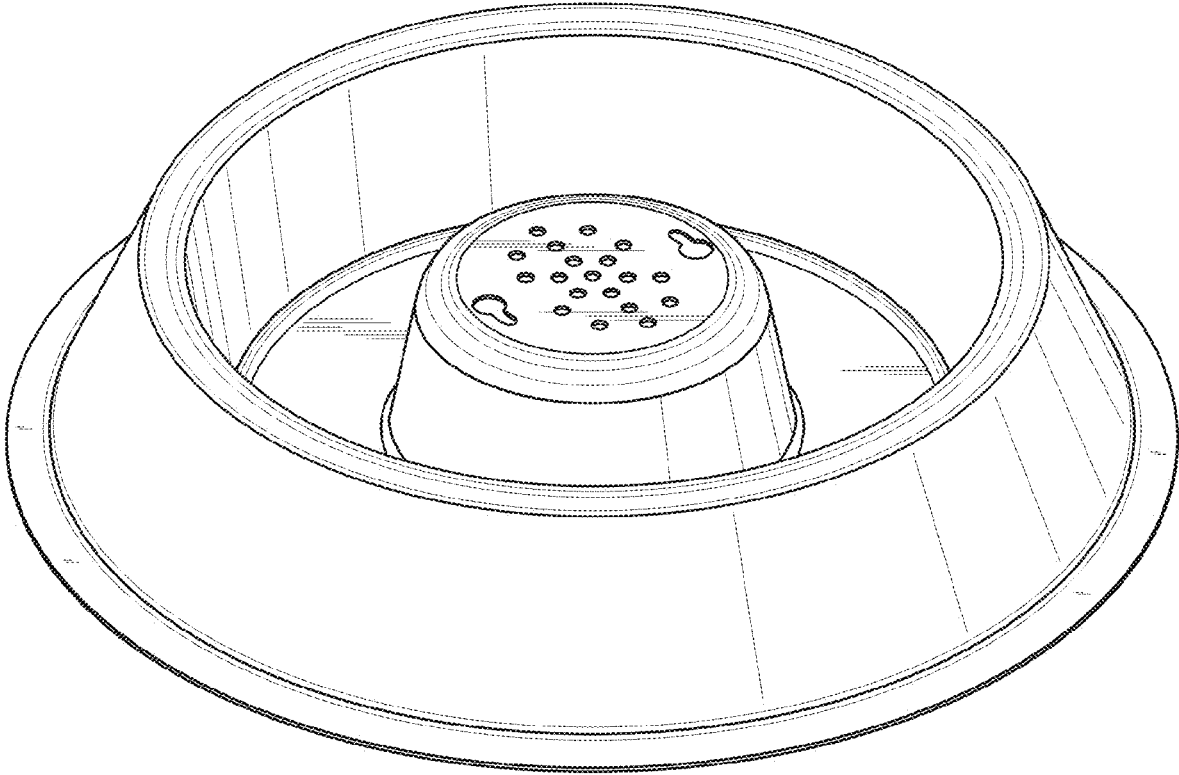


FIG. 9

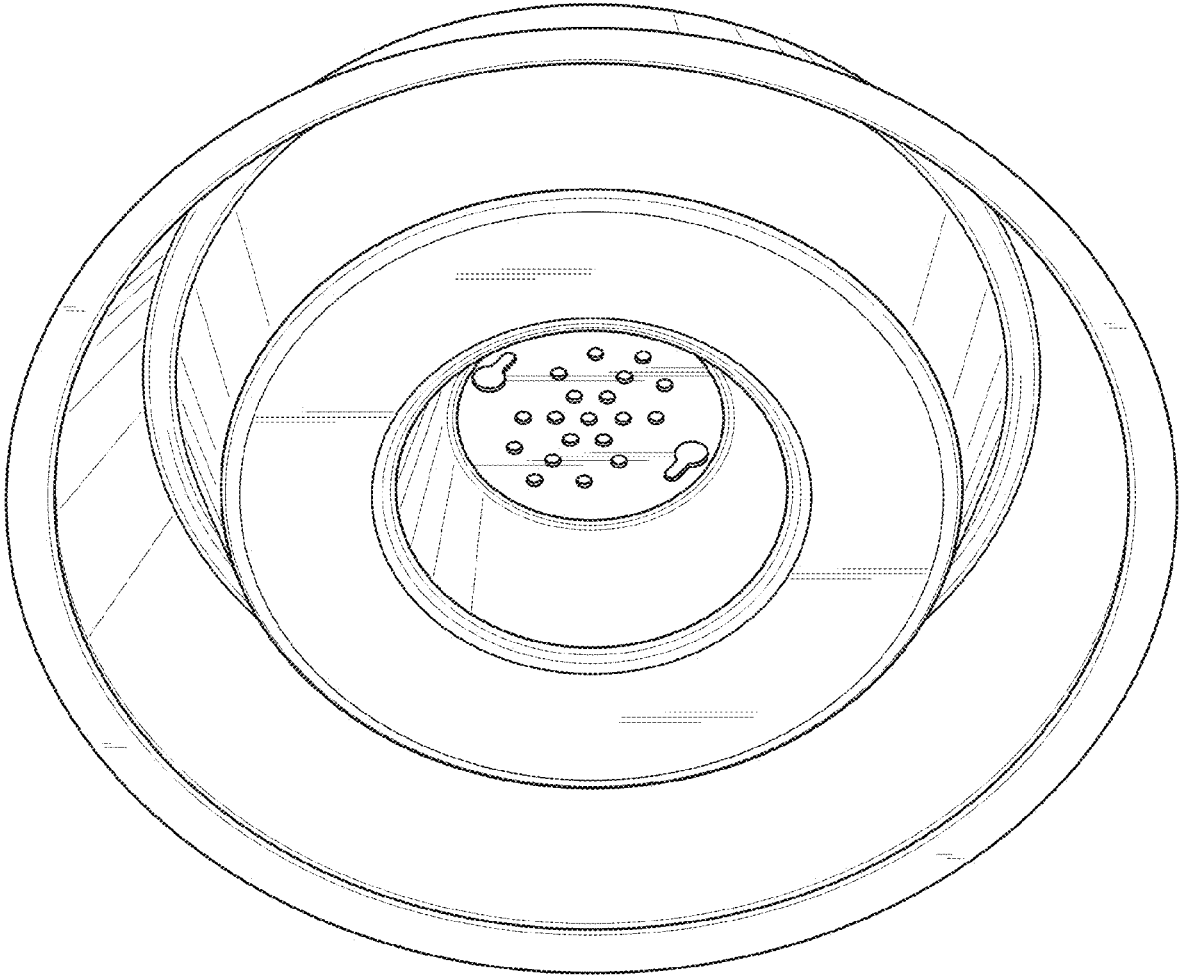


FIG. 10

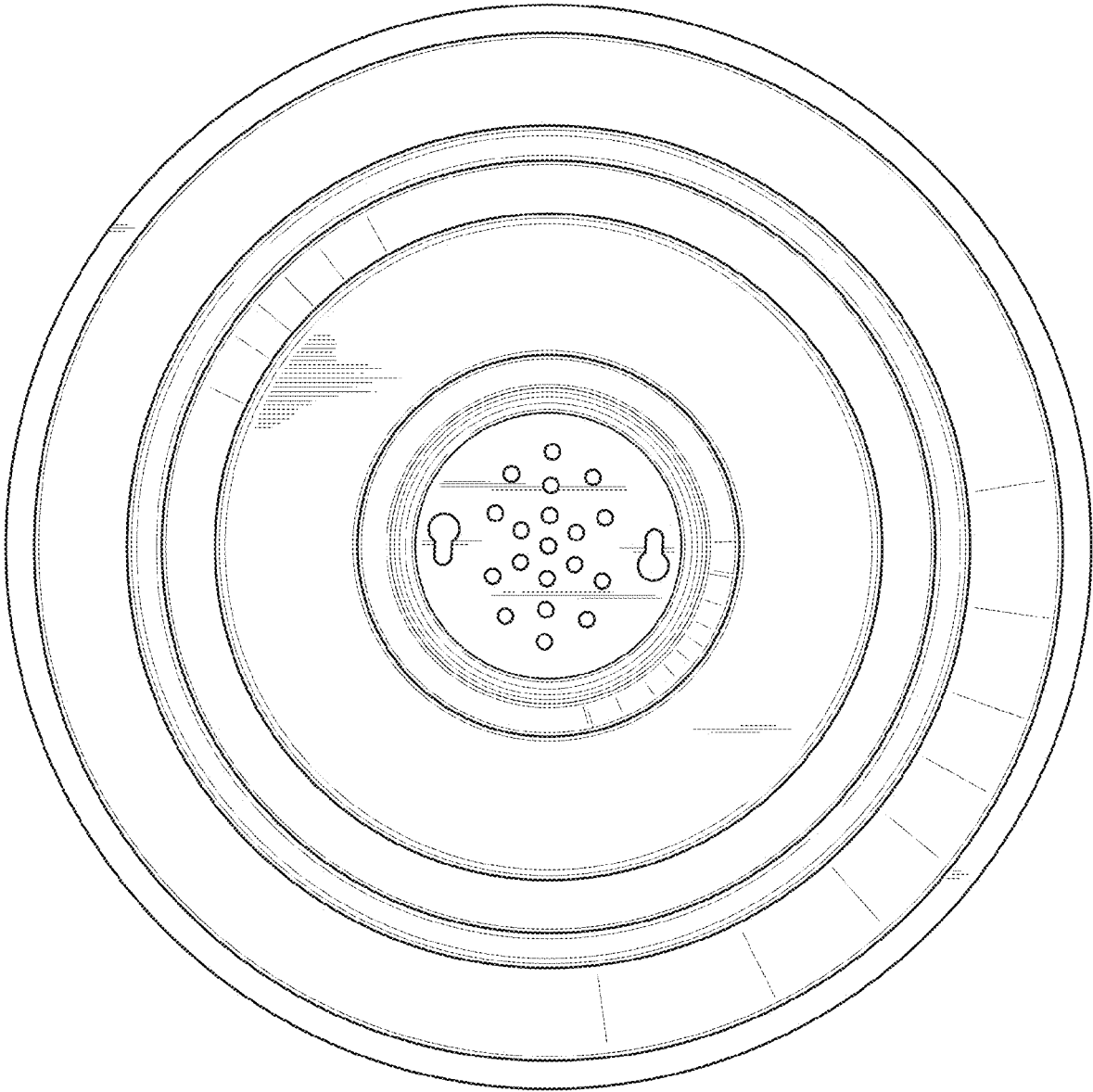


FIG. 11

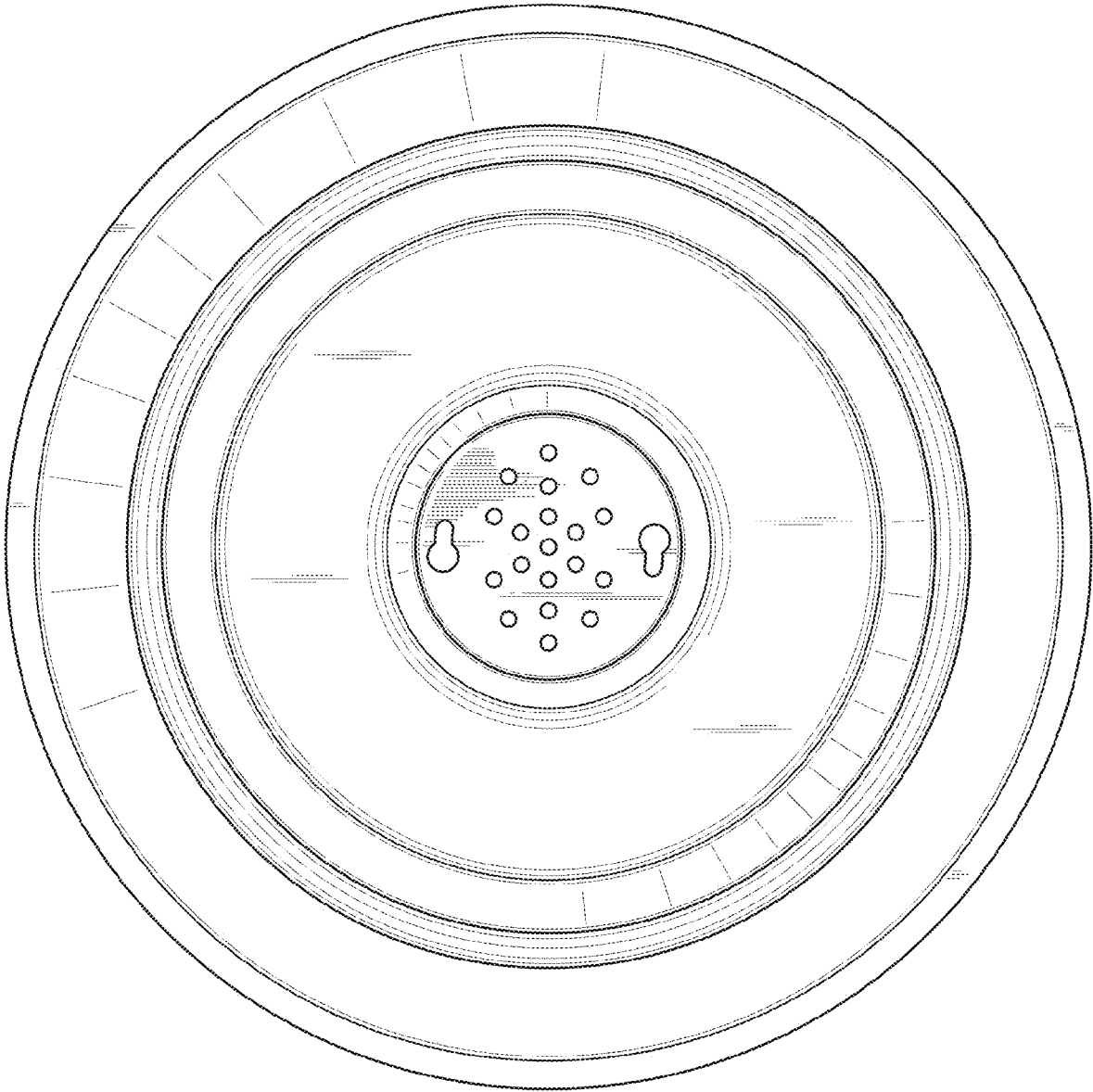


FIG. 12

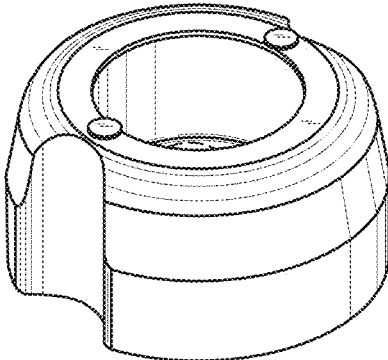


FIG. 13

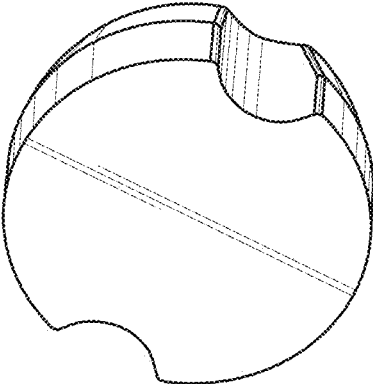


FIG. 14

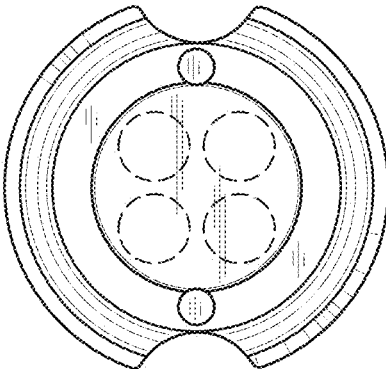


FIG. 15

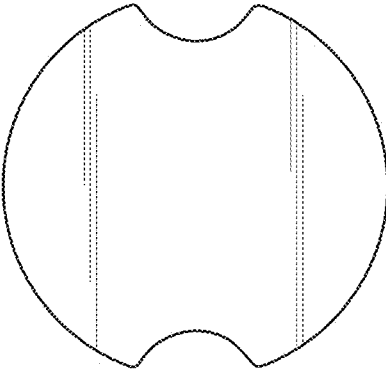


FIG. 16

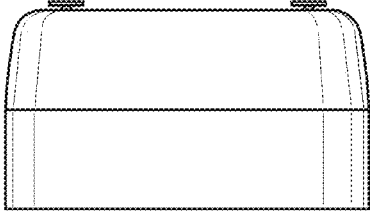


FIG. 17

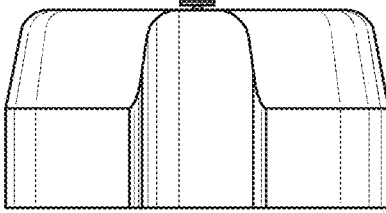


FIG. 18

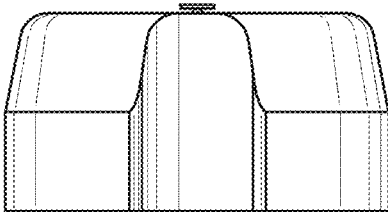


FIG. 19

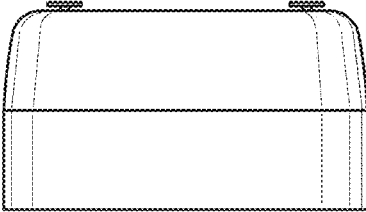


FIG. 20

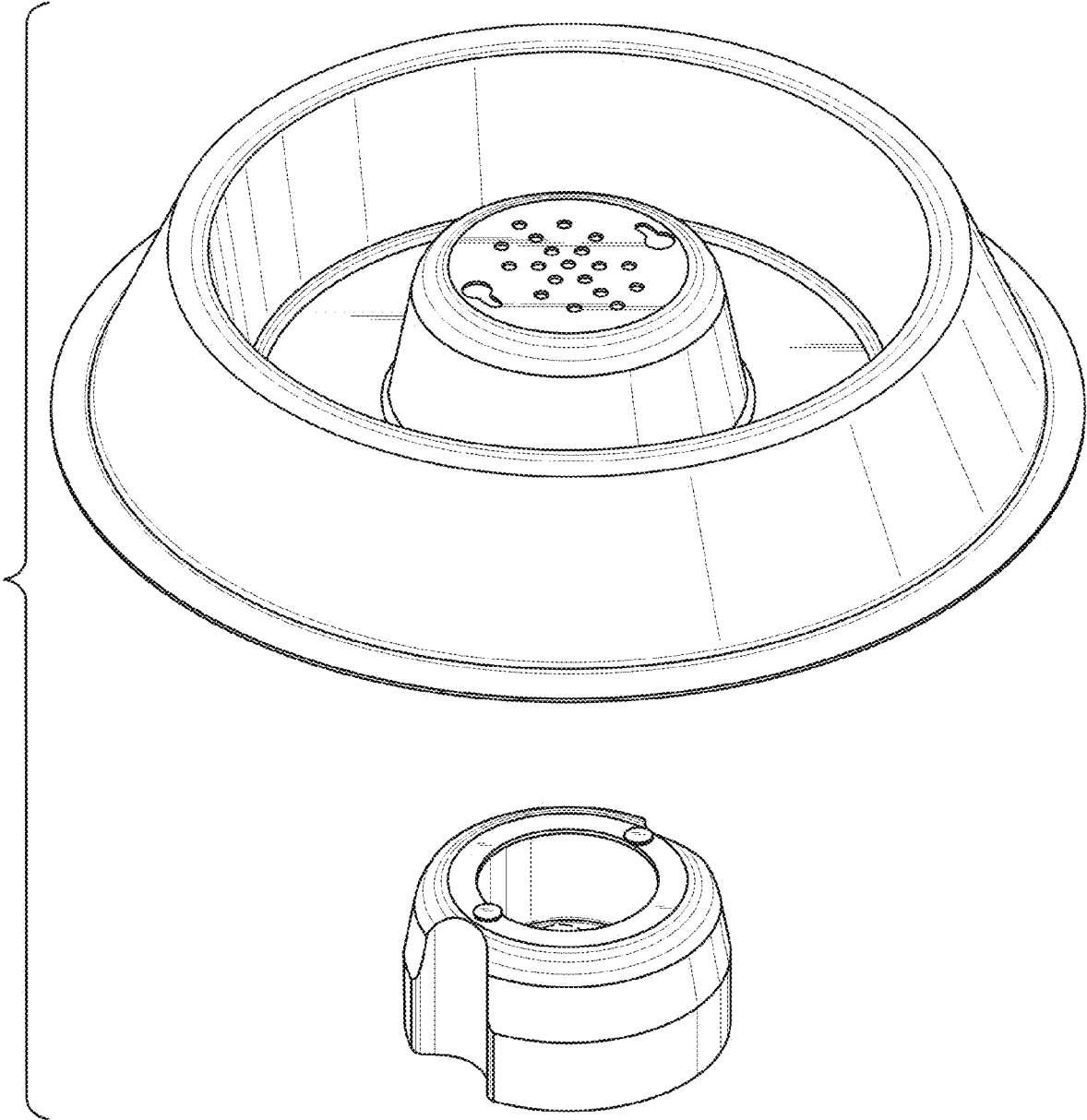


FIG. 21