



US00D703392S

(12) **United States Design Patent**
Desberg

(10) **Patent No.:** **US D703,392 S**

(45) **Date of Patent:** **** Apr. 22, 2014**

(54) **PET FEEDER**

(75) Inventor: **Ian Desberg**, Emeryville, CA (US)

(73) Assignee: **MerchSource, LLC**, Irvine, CA (US)

(**) Term: **14 Years**

(21) Appl. No.: **29/413,017**

(22) Filed: **Feb. 9, 2012**

(51) **LOC (10) Cl.** **30-03**

(52) **U.S. Cl.**
USPC **D30/121; D30/122**

(58) **Field of Classification Search**
USPC D30/133, 121, 122, 124, 127, 128, 132;
119/51.01, 61, 51.04, 53, 57.91, 54,
119/53.5, 52.4, 51.11, 63, 61.2, 52.1, 57.5,
119/57.6, 51.13, 62, 75, 500, 501; 239/7,
239/687, 379, 397.5; 222/199, 181.1,
222/181.2, 185.1, 557, 156, 485, 486, 548,
222/555; 220/200, 227, 247, 262; 221/174,
221/185.1, 289, 295, 296, 559; 454/35;
209/270, 283, 244; 52/194, 192;
49/279, 344, 357; D34/28

See application file for complete search history.

(56) **References Cited**

U.S. PATENT DOCUMENTS

867,621	A *	10/1907	Tannelhill	119/77
1,533,627	A *	4/1925	Averill	222/586
2,725,663	A *	12/1955	Mullen	43/131
2,839,028	A *	6/1958	Routh	119/52.1
3,074,377	A *	1/1963	Spencer	119/54
3,112,733	A *	12/1963	Arnott	119/77
D209,017	S *	10/1967	Rice	D34/39
3,568,875	A *	3/1971	Olan	220/270
3,704,808	A *	12/1972	Gibson et al.	206/519
3,720,184	A *	3/1973	Pearce	119/51.5
3,730,141	A *	5/1973	Manning et al.	119/51.5

3,800,745	A *	4/1974	Fassauer	119/51.11
D232,550	S *	8/1974	Fushihara	D23/207
D232,658	S *	9/1974	Fassauer	D30/121
D232,847	S *	9/1974	Okubo	D30/121
D233,642	S *	11/1974	Arnold	D7/628
D234,144	S *	1/1975	Fassauer	D30/132
3,910,461	A *	10/1975	Eager	222/131
3,920,224	A *	11/1975	Fassauer	366/131
D239,505	S *	4/1976	Ward	D34/39
D244,427	S *	5/1977	Schieser et al.	D9/550

(Continued)

OTHER PUBLICATIONS

http://www.amazon.com/Petmate-LeBistro-Portion-Automatic-Pet/dp/B000TZ7022/ref=pd_ybh_5; undated.

(Continued)

Primary Examiner — Susan Moon Lee

(74) Attorney, Agent, or Firm — The Eclipse Group LLP

(57) **CLAIM**

I claim the ornamental design for a pet feeder, as shown and described.

DESCRIPTION

FIG. 1 is a perspective view of the right side of a pet feeder. FIG. 2 is a front elevation view of the pet feeder illustrated in FIG. 1.

FIG. 3 is a rear elevation view of the pet feeder illustrated in FIG. 1.

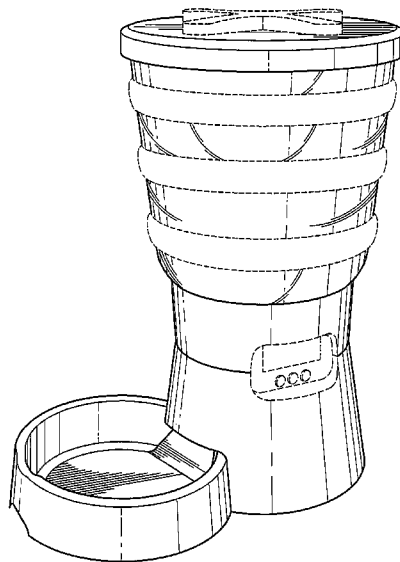
FIG. 4 is an elevation view of the right side of the pet feeder illustrated in FIG. 1.

FIG. 5 is an elevation view of the left side of the pet feeder illustrated in FIG. 1.

FIG. 6 is a top view of the pet feeder illustrated in FIG. 1; and, FIG. 7 is a bottom view of the pet feeder illustrated in FIG. 1.

Broken lines and unshaded portions contained within broken lines are not claimed.

1 Claim, 6 Drawing Sheets



(56)

References Cited

U.S. PATENT DOCUMENTS

D248,658	S	*	7/1978	Buffington	D7/301
4,134,365	A	*	1/1979	Futers et al.	119/51.5
4,203,526	A	*	5/1980	Stoll, III	220/649
D258,258	S	*	2/1981	Haddock	D34/7
D264,638	S	*	5/1982	Maeda	D9/502
4,450,790	A	*	5/1984	Stansbury, Jr.	119/51.12
4,485,765	A	*	12/1984	Schwartz et al.	119/51.13
D277,041	S	*	1/1985	Nichols	D34/39
4,513,688	A	*	4/1985	Fassauer	119/57.1
D285,840	S	*	9/1986	Poon	D26/42
D288,293	S	*	2/1987	Arvans	D9/500
4,651,679	A	*	3/1987	Fassauer	119/51.5
4,721,063	A	*	1/1988	Atchley	119/52.1
D294,750	S	*	3/1988	Atchley	D30/132
4,735,171	A	*	4/1988	Essex	119/51.12
4,840,143	A	*	6/1989	Simon	119/52.1
D309,548	S	*	7/1990	McCloskey	D7/378
4,938,168	A	*	7/1990	Meidell	119/77
D313,330	S	*	1/1991	Brusa	D7/307
D315,625	S	*	3/1991	Hallinan et al.	D34/1
D316,382	S	*	4/1991	Lorenzana et al.	D11/164
5,016,572	A	*	5/1991	Weber et al.	119/52.1
D320,716	S	*	10/1991	Maass	D7/378
5,109,799	A	*	5/1992	Lader
D330,098	S	*	10/1992	VanSkiver	D30/121
D334,251	S	*	3/1993	Tiu	D30/122
D335,744	S	*	5/1993	Small et al.	D34/39
D336,702	S	*	6/1993	Brethouwer	D34/1
D340,553	S	*	10/1993	Sahm, Jr.	D30/121
5,263,437	A	*	11/1993	Murphrey	119/53.5
5,299,529	A	*	4/1994	Ramirez
D347,966	S	*	6/1994	Doggett	D7/378
D350,842	S	*	9/1994	VanSkiver	D30/121
D351,689	S	*	10/1994	VanSkiver	D30/121
5,351,645	A	*	10/1994	Brennon	119/475
5,353,739	A	*	10/1994	Chu	119/51.03
D352,136	S	*	11/1994	Thornberg	D30/121
5,363,805	A	*	11/1994	Wing
D353,914	S	*	12/1994	Sahm, Jr.	D30/121
5,404,838	A	*	4/1995	Khan	119/52.1
D358,629	S	*	5/1995	Wefler	D22/122
D359,606	S	*	6/1995	Holland	D34/1
D360,100	S	*	7/1995	Van Den Berghe	D7/306
D364,942	S	*	12/1995	VanSkiver et al.	D30/121
D365,491	S	*	12/1995	Hui	D7/311
D370,151	S	*	5/1996	McLinden et al.	D7/378
D371,643	S	*	7/1996	Lillelund et al.	D30/122
D374,109	S	*	9/1996	Lillelund et al.	D30/121
D374,516	S	*	10/1996	Lillelund et al.	D30/132
D374,959	S	*	10/1996	Mull	D34/39
D378,883	S	*	4/1997	Magnusson	D7/306
D383,797	S	*	9/1997	Finnegan	D30/132
5,687,783	A	*	11/1997	Finnegan	141/364
5,699,753	A	*	12/1997	Aldridge, III	119/52.1
D393,108	S	*	3/1998	Atchley	D30/121
D393,521	S	*	4/1998	Morneau	D34/39
5,738,038	A	*	4/1998	Barton	119/73
5,794,560	A	*	8/1998	Terenzi	119/51.11
5,799,609	A	*	9/1998	Burns et al.	119/74
D400,757	S	*	11/1998	Hippen et al.	D7/378
5,829,386	A	*	11/1998	Wenstrand	119/77
5,845,600	A	*	12/1998	Mendes	119/51.5
D404,247	S	*	1/1999	Spagnolo	D7/378
D406,924	S	*	3/1999	Kolozsvari	D30/121
D406,926	S	*	3/1999	Kolozsvari	D30/132
6,055,932	A	*	5/2000	Weber	119/52.1
6,079,361	A	*	6/2000	Bowell et al.	119/72
6,092,922	A	*	7/2000	Kett et al.	366/205
D430,038	S	*	8/2000	Young et al.	D9/549
6,119,628	A	*	9/2000	Lorenzana et al.	119/77
D432,279	S	*	10/2000	Kim	D30/121
6,135,056	A	*	10/2000	Kuo
6,142,099	A	*	11/2000	Lange, Jr.	119/51.5
D436,282	S	*	1/2001	Kauzlarich et al.	D7/306
D440,813	S	*	4/2001	Gort-Barten	D7/378
D441,998	S	*	5/2001	Kauzlarich et al.	D6/542
D443,780	S	*	6/2001	Kauzlarich et al.	D6/542
D445,001	S	*	7/2001	Lin	D7/510
D450,978	S	*	11/2001	Smith	D7/378
D455,526	S	*	4/2002	Chrisco et al.	D30/121
6,401,657	B1	*	6/2002	Krishnamurthy	119/51.11
6,427,628	B1	*	8/2002	Reece	119/51.11
6,467,428	B1	*	10/2002	Andrisin et al.	119/51.5
6,477,981	B1	*	11/2002	Harper	119/52.4
D473,421	S	*	4/2003	Daniels, Jr.	D7/378
D474,065	S	*	5/2003	Daniels, Jr.	D7/378
D474,067	S	*	5/2003	Daniels, Jr.	D7/386
D474,643	S	*	5/2003	Daniels, Jr.	D7/386
D484,357	S	*	12/2003	Seum et al.	D7/378
6,681,718	B1	*	1/2004	McIlarky	119/53
D488,344	S	*	4/2004	Seum et al.	D7/384
6,739,284	B1	*	5/2004	Olive	119/74
6,748,898	B2	*	6/2004	Ulman et al.	119/57.92
6,789,503	B1	*	9/2004	Gao	119/51.11
D497,041	S	*	10/2004	Plante	D30/130
D497,224	S	*	10/2004	Remy	D30/121
D503,247	S	*	3/2005	Ross	D30/132
6,863,025	B2	*	3/2005	Ness	119/72
6,866,004	B1	*	3/2005	Lush	119/52.1
D504,545	S	*	4/2005	Morosin et al.	D30/122
6,880,484	B1	*	4/2005	Lee	119/74
6,928,954	B2	*	8/2005	Krishnamurthy	119/51.5
6,966,689	B2	*	11/2005	Daniels, Jr.	366/192
D512,595	S	*	12/2005	Claassen	D7/306
6,971,331	B1	*	12/2005	Rohrer	119/77
D513,928	S	*	1/2006	Birdsell et al.	D7/397
D521,192	S	*	5/2006	Morosin et al.	D30/122
7,040,249	B1	*	5/2006	Mushen	119/51.5
D526,827	S	*	8/2006	Allen et al.	D7/306
7,089,881	B2	*	8/2006	Plante	119/74
D529,749	S	*	10/2006	Allen et al.	D7/306
D529,758	S	*	10/2006	Beesley et al.	D7/378
D530,140	S	*	10/2006	Macler et al.	D7/313
D530,565	S	*	10/2006	Grcic	D7/378
D532,251	S	*	11/2006	Kassenaar	D7/378
D534,394	S	*	1/2007	Zhiwen et al.	D7/378
D537,353	S	*	2/2007	Bailey et al.	D9/540
D539,080	S	*	3/2007	Zhiwen et al.	D7/384
D540,492	S	*	4/2007	Gorr	D30/131
D543,072	S	*	5/2007	Ting et al.	D7/378
7,213,965	B2	*	5/2007	Daniels, Jr.	366/192
7,217,028	B2	*	5/2007	Beesley	366/199
7,228,816	B2	*	6/2007	Turner et al.	119/51.02
D547,601	S	*	7/2007	Ting et al.	D7/384
D549,043	S	*	8/2007	Beesley et al.	D7/378
7,270,081	B2	*	9/2007	Park	119/57.92
7,270,082	B2	*	9/2007	Plante	119/74
7,270,156	B2	*	9/2007	Beesley et al.	141/82
D553,904	S	*	10/2007	Romandy	D7/378
7,278,779	B2	*	10/2007	Beesley et al.	366/205
7,284,499	B1	*	10/2007	Kuster	119/51.5
D560,963	S	*	2/2008	Alzheimer et al.	D7/378
D563,605	S	*	3/2008	Morris et al.	D30/122
7,426,901	B2	*	9/2008	Turner et al.	119/51.02
D584,109	S	*	1/2009	Krog	D7/608
D587,064	S	*	2/2009	Mark	D7/384
7,490,739	B2	*	2/2009	Prabucki	222/146.6
D607,625	S	*	1/2010	Landry	D34/5
7,665,885	B2	*	2/2010	Pryor, Jr.	366/197
D612,215	S	*	3/2010	Bergen	D7/636
D612,658	S	*	3/2010	Schenk	D7/307
D622,089	S	*	8/2010	Daniel et al.	D7/313
D628,762	S	*	12/2010	Fischer et al.	D34/39
D632,606	S	*	2/2011	Jalet	D11/144
7,895,973	B1	*	3/2011	Whelan	119/51.02
D637,769	S	*	5/2011	Weber	D30/132
D642,335	S	*	7/2011	Weber	D30/121
7,984,694	B2	*	7/2011	Wu et al.	119/51.02
D643,669	S	*	8/2011	Burgess et al.	D7/313
D645,286	S	*	9/2011	Porebski et al.	D7/306
D645,301	S	*	9/2011	Tse	D7/378
8,074,602	B2	*	12/2011	Laliberte	119/57.92
D655,053	S	*	2/2012	Weber	D30/121
8,161,911	B2	*	4/2012	Jalbert et al.	119/501

(56)

References Cited

U.S. PATENT DOCUMENTS

8,166,922 B2 * 5/2012 Jalbert et al. 119/501
 D664,304 S * 7/2012 Whelan D30/122
 8,245,665 B2 * 8/2012 Willett 119/51.5
 8,272,350 B1 * 9/2012 England 119/52.1
 8,336,493 B1 * 12/2012 Weber 119/52.1
 D674,562 S * 1/2013 Hoysak D30/132
 D678,624 S * 3/2013 Willett D30/121
 8,387,566 B2 * 3/2013 Graves et al. 119/72
 D682,484 S * 5/2013 Selman D30/132
 8,448,603 B2 * 5/2013 Northrop et al. 119/61.54
 D688,911 S * 9/2013 Chiarini D7/384
 8,555,813 B2 * 10/2013 Parks et al. 119/51.5
 8,555,814 B2 * 10/2013 Parks et al. 119/51.5
 2002/0096120 A1 * 7/2002 Busha 119/51.5
 2003/0029867 A1 * 2/2003 Vicknair 220/23.87
 2004/0118356 A1 * 6/2004 Krishnamurthy 119/74
 2004/0134438 A1 * 7/2004 Ticktin 119/65
 2005/0061252 A1 * 3/2005 Meeks et al. 119/51.02
 2005/0217591 A1 * 10/2005 Turner et al. 119/51.02
 2005/0252457 A1 11/2005 Morosin et al.
 2007/0012253 A1 * 1/2007 Zheng 119/51.02

2007/0193524 A1 * 8/2007 Turner et al. 119/51.02
 2007/0251955 A1 * 11/2007 Green 222/185.1
 2008/0054014 A1 * 3/2008 Webster et al. 222/1
 2008/0202436 A1 * 8/2008 Romeu Guardia 119/52.1
 2008/0257272 A1 * 10/2008 Bolda 119/72
 2009/0173282 A1 * 7/2009 Wu et al. 119/51.02
 2010/0050950 A1 * 3/2010 Graves et al. 119/81
 2010/0122660 A1 * 5/2010 Willett 119/51.5
 2010/0263596 A1 * 10/2010 Schumann et al. 119/51.02
 2011/0139076 A1 * 6/2011 Pu et al. 119/51.02
 2011/0197819 A1 * 8/2011 Montgomery 119/51.11

OTHER PUBLICATIONS

http://www.amazon.com/ERGO-Auto-Pet-Feeder-Small/dp/B001OM4WF2/ref=pd_ybh_4; undated.
http://www.amazon.com/Automatic-Feeder-Combo-CSF-3XL-Analog/dp/B000MTK086/ref=pd_ybh_3; undated.
http://www.amazon.com/Auto-Pet-Feeder-Electronic-Mini/dp/B002JPJF1O/ref=pd_ybh_2; undated.
http://www.amazon.com/CSF-3-Super-Feeder-Analog-Timer/dp/B000NOLD18/ref=pd_ybh_1; undated.

* cited by examiner

FIG. 1

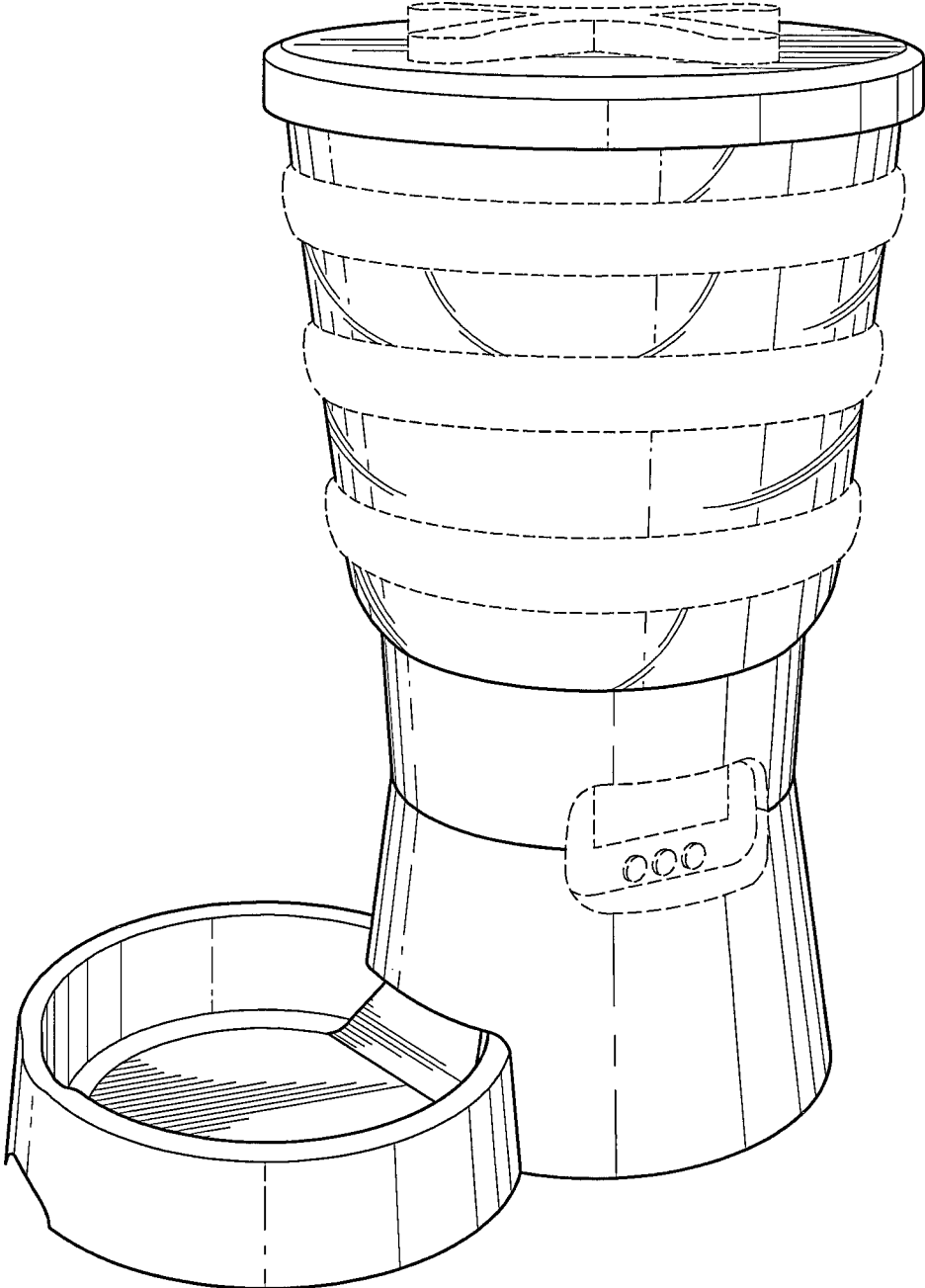


FIG. 2

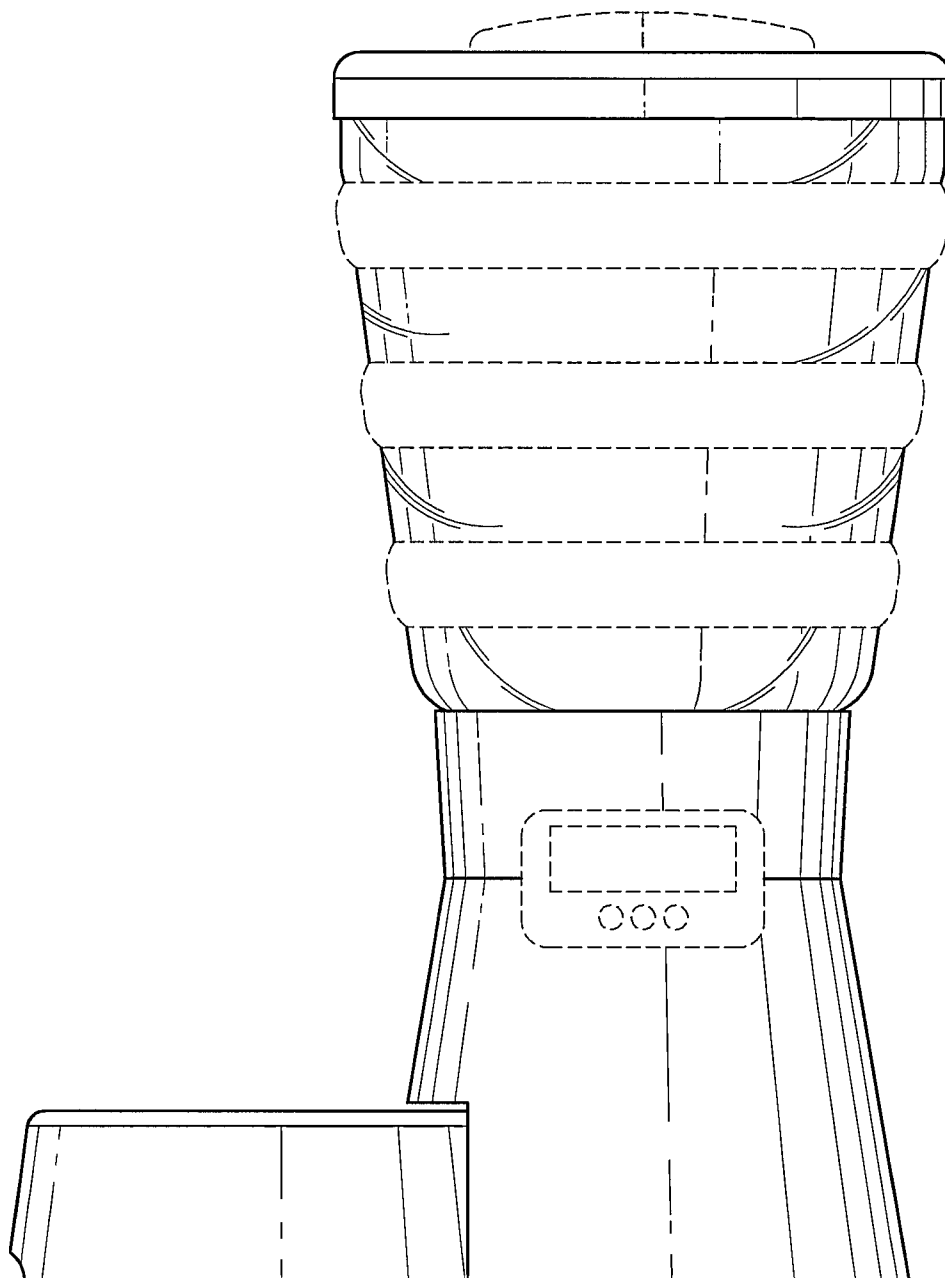


FIG. 3

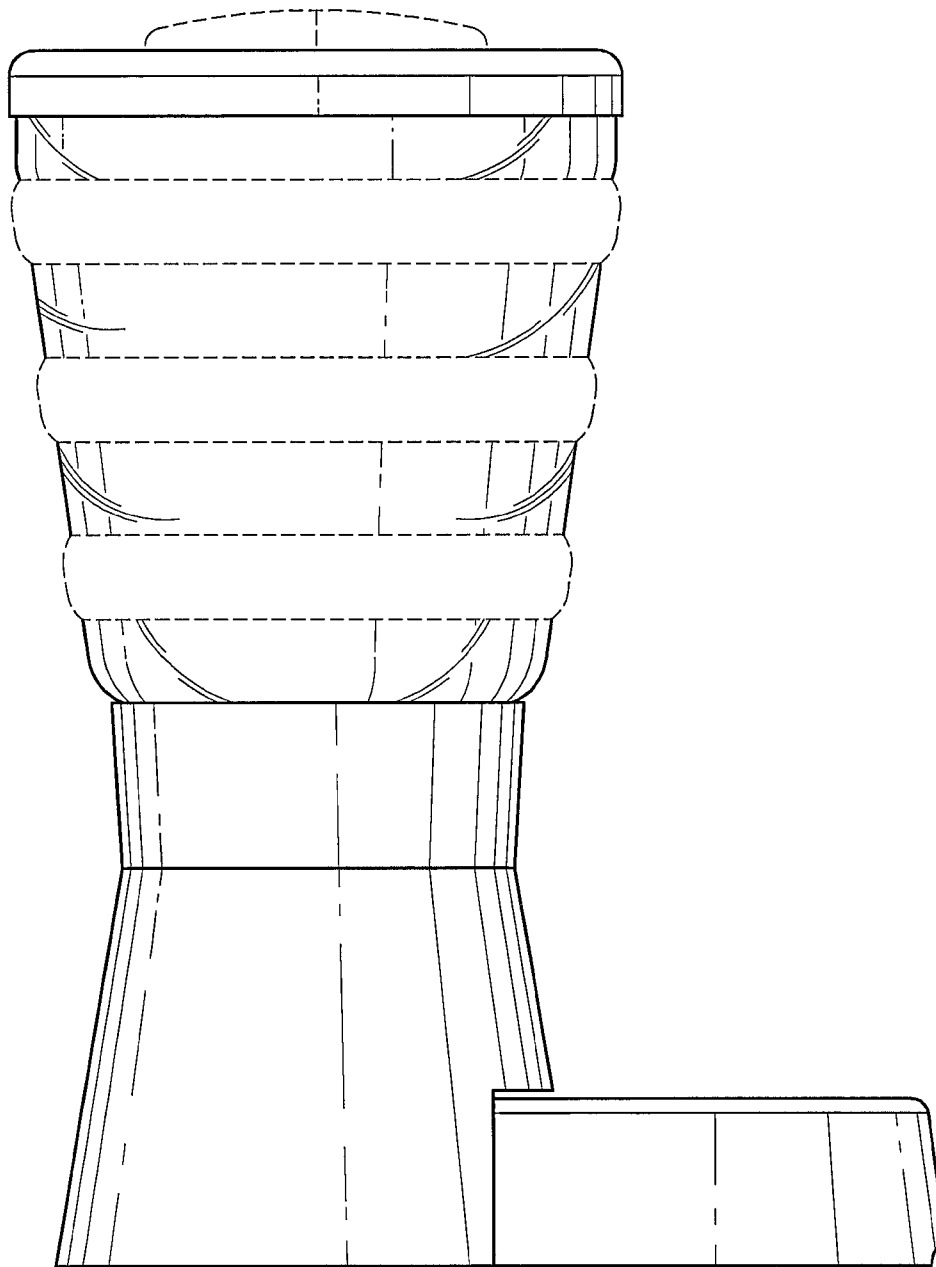


FIG. 4

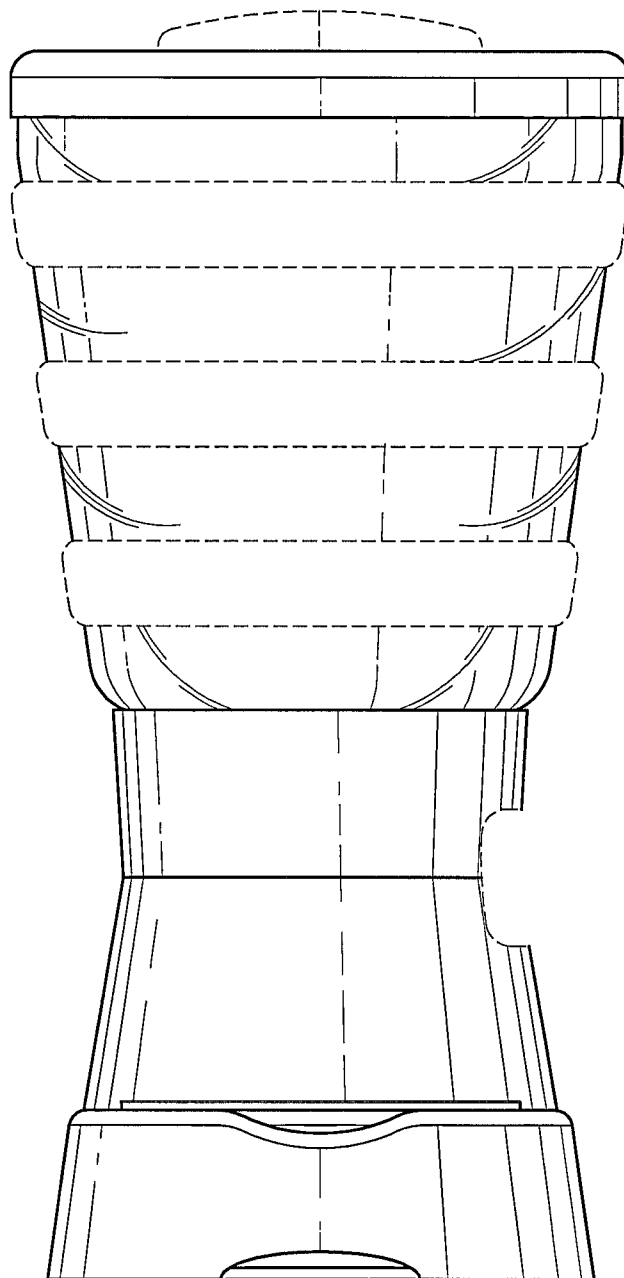


FIG. 5

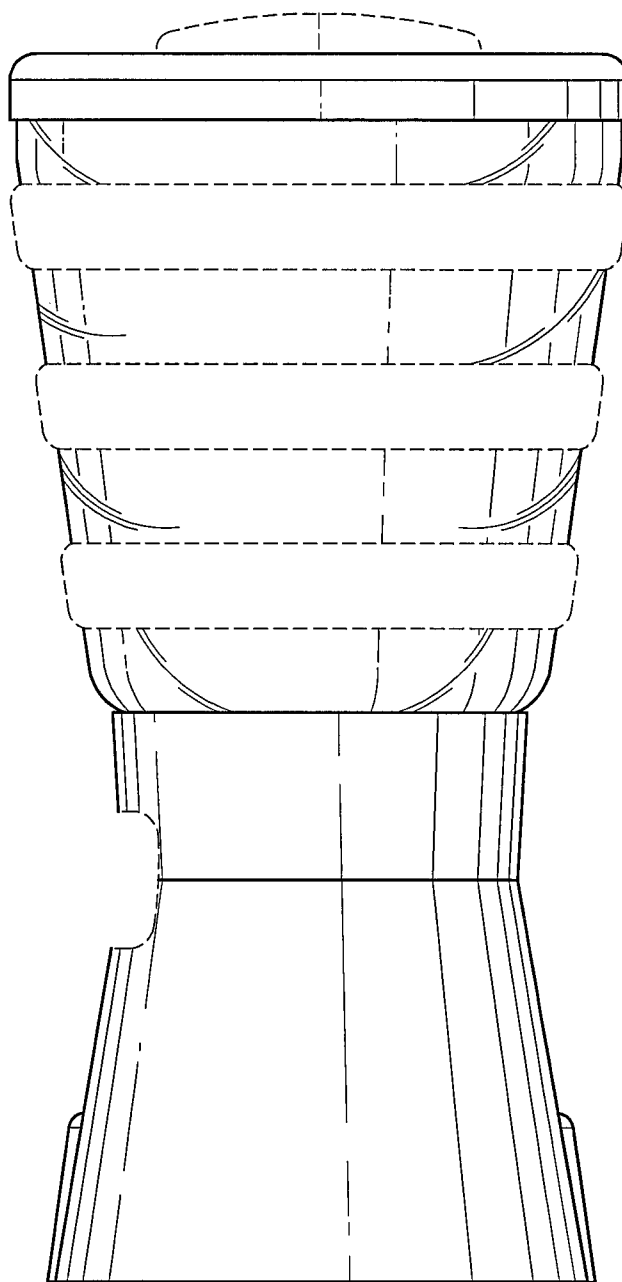


FIG. 6

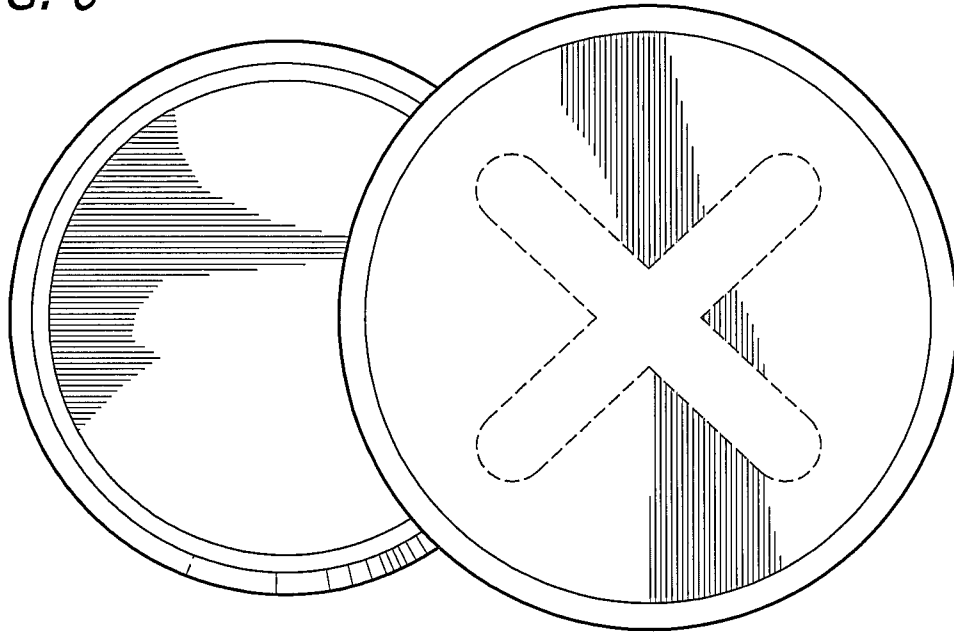


FIG. 7

