



(12) **United States Design Patent**
Yin

(10) **Patent No.:** **US D1,018,631 S**
(45) **Date of Patent:** **** Mar. 19, 2024**

(54) **DASH CAM**

(71) Applicant: **Hui Yin**, Shenzhen (CN)

(72) Inventor: **Hui Yin**, Shenzhen (CN)

(**) Term: **15 Years**

(21) Appl. No.: **29/845,376**

(22) Filed: **Jul. 7, 2022**

(51) **LOC (14) Cl.** **16-01**

(52) **U.S. Cl.**
USPC **D16/208**; D16/202

(58) **Field of Classification Search**

USPC D16/200-203, 208, 214, 218, 221, 230,
D16/232; D10/46, 61, 62, 65, 70, 104.1,
D10/106.6, 109.1; D14/203.1, 204,
D14/203.8, 209.1, 317, 474, 496
CPC G03B 17/02; G03B 21/10; G03B 2217/00;
H04N 23/50; H04N 5/23216; H04N
5/232939

See application file for complete search history.

(56) **References Cited**

U.S. PATENT DOCUMENTS

D854,597	S	*	7/2019	Gao	D16/202
D881,254	S	*	4/2020	Guo	D16/202
D888,126	S	*	6/2020	Lee	D16/202
D925,643	S	*	7/2021	Hsu	D16/208
D966,388	S	*	10/2022	Chen	D16/202
D970,587	S	*	11/2022	Li	D16/208
D975,772	S	*	1/2023	Zhang	D16/208
D978,950	S	*	2/2023	Zhou	D16/208
D982,062	S	*	3/2023	Kishimoto	D16/208
D983,247	S	*	4/2023	Zhang	D16/208
D985,651	S	*	5/2023	Hur	D16/200
D988,388	S	*	6/2023	Feng	D16/202
D1,003,966	S	*	11/2023	Zhang	D16/208

FOREIGN PATENT DOCUMENTS

CN	308124548	*	7/2023
CN	308245609	*	9/2023

OTHER PUBLICATIONS

“Redtiger Car Dash Cam with WiFi & GPS, Dash Camera 4K/2.5K Front+1080P Rear with Night Vision, Dual Dash Cam with 3.18” LCD Screen Display, Loop Recording, Parking Mode,Black” from Walmart.com, first retrieved Nov. 29, 2023 from the internet <https://www.walmart.com/ip/REDTIGER-Car-Dash-Cam-WiFi-GPS-Camera-4K-2-5K-Front-1080P-Rear-Night-Vision-Dual-3-18-LCD-Screen-Display-Loop-Recording-Parking-Mode-Black/712633092> (Year: 2023).*

“Rexing DT2 Dual Channel 1080p Front and Rear Dash Cam” from Target.com, first retrieved Nov. 29, 2023 from the internet <https://www.target.com/p/rexing-dt2-dual-channel-1080p-front-and-rear-dash-cam/-/A-89161562> (Year: 2023).*

* cited by examiner

Primary Examiner — Elizabeth J Oswecki

Assistant Examiner — Lacey Chey Bowman

(74) *Attorney, Agent, or Firm* — Jeenam Park

(57) **CLAIM**

The ornamental design for a dash cam, as shown and described.

DESCRIPTION

FIG. 1 is a front perspective view of a dash cam showing my new design;

FIG. 2 is a rear perspective view thereof;

FIG. 3 is a front view thereof;

FIG. 4 is a rear view thereof;

FIG. 5 is a left side view thereof;

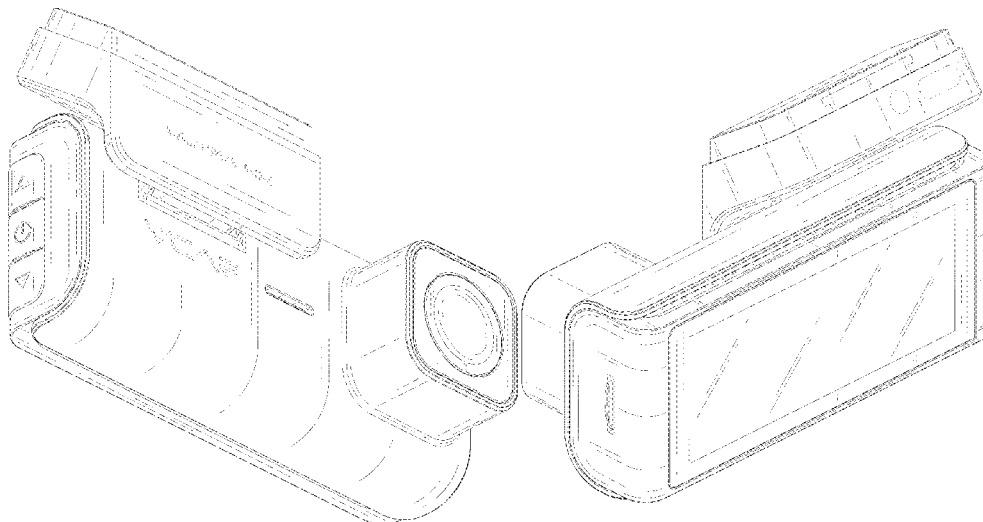
FIG. 6 is a right side view thereof;

FIG. 7 is a top plan view thereof; and,

FIG. 8 is a bottom plan thereof.

The broken lines shown in the drawings represent portions of the dash cam that form no part of the claimed design.

1 Claim, 8 Drawing Sheets



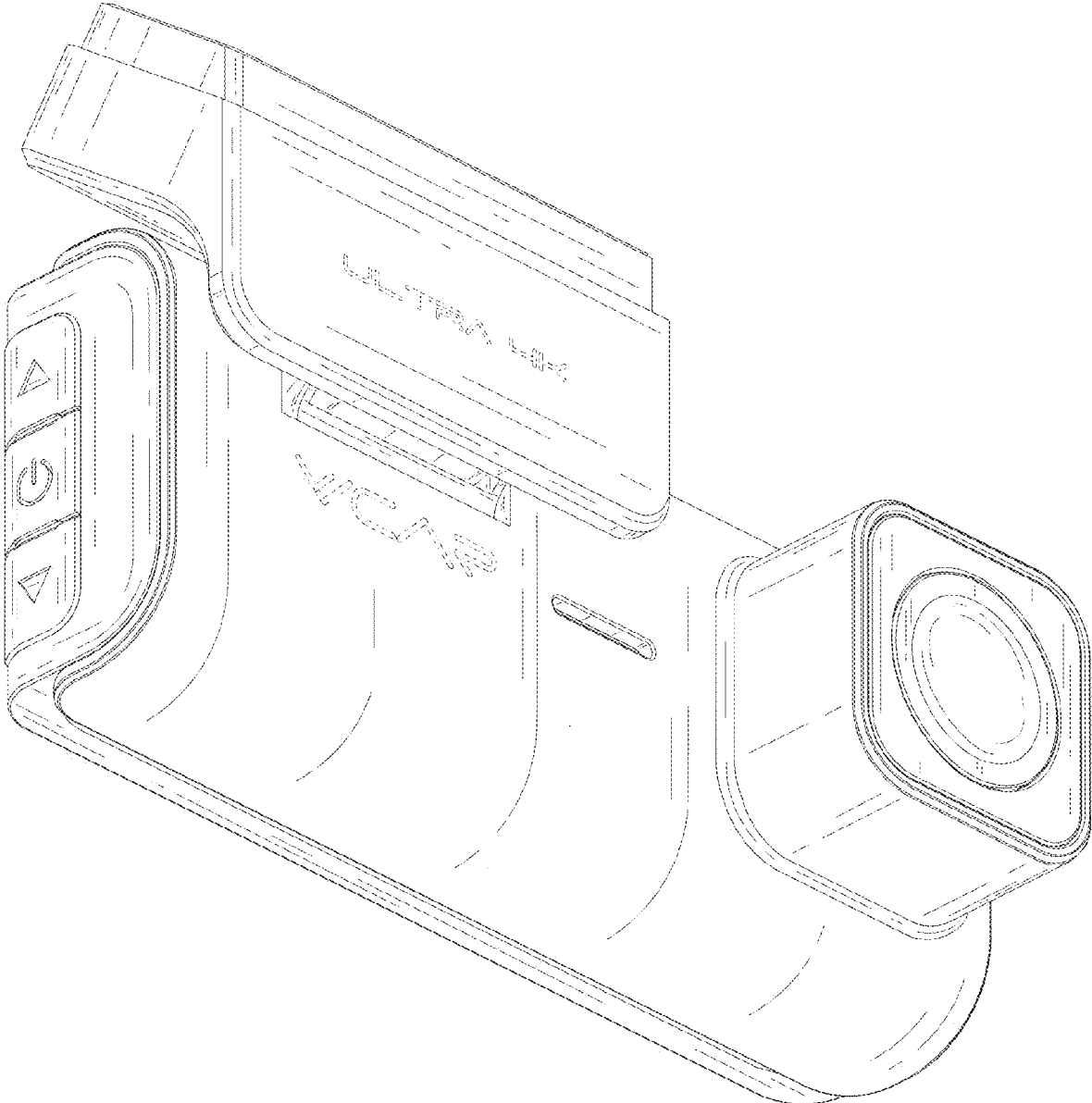


FIG. 1

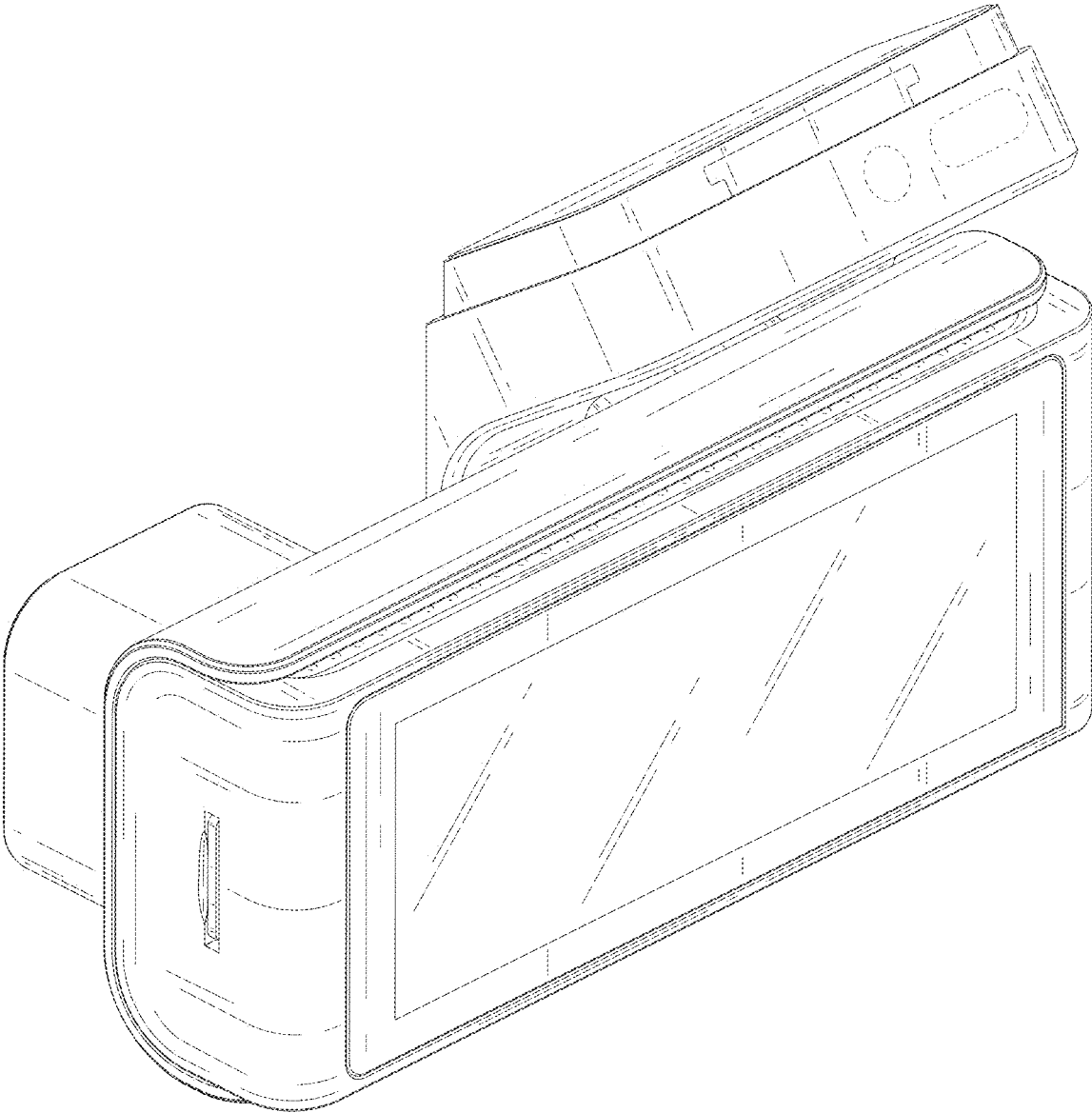


FIG. 2

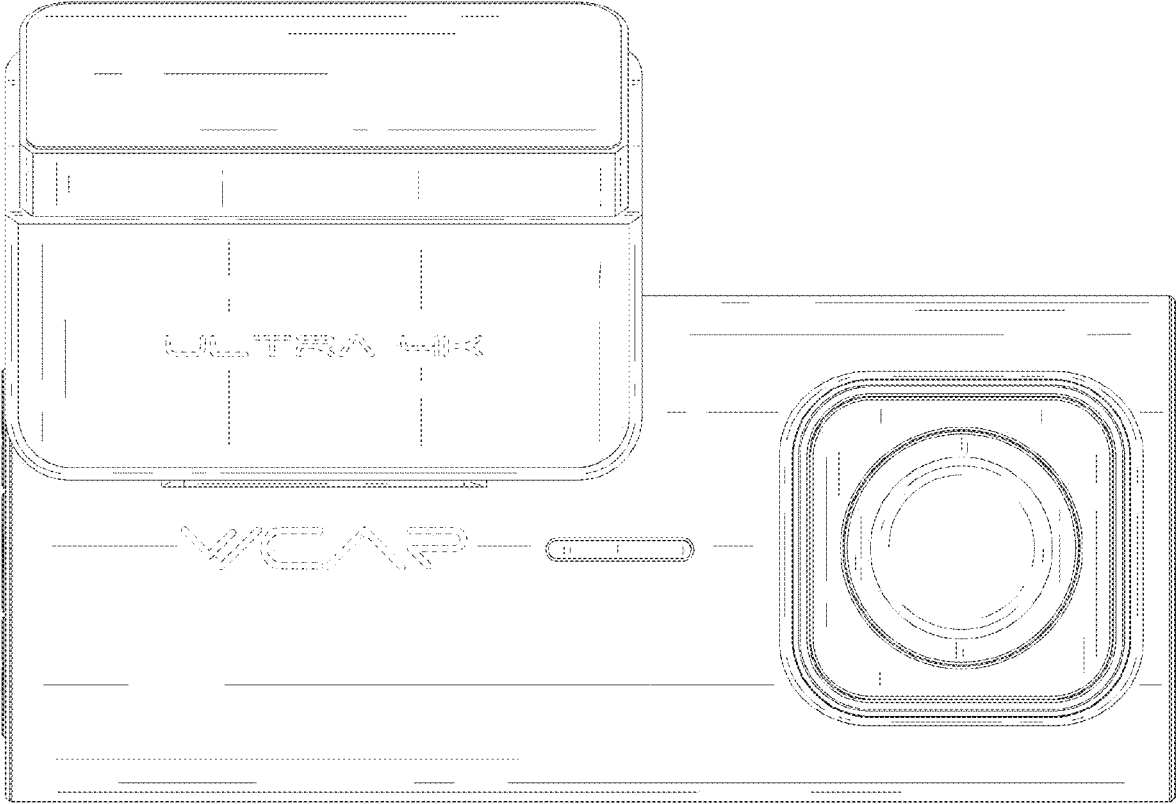


FIG. 3

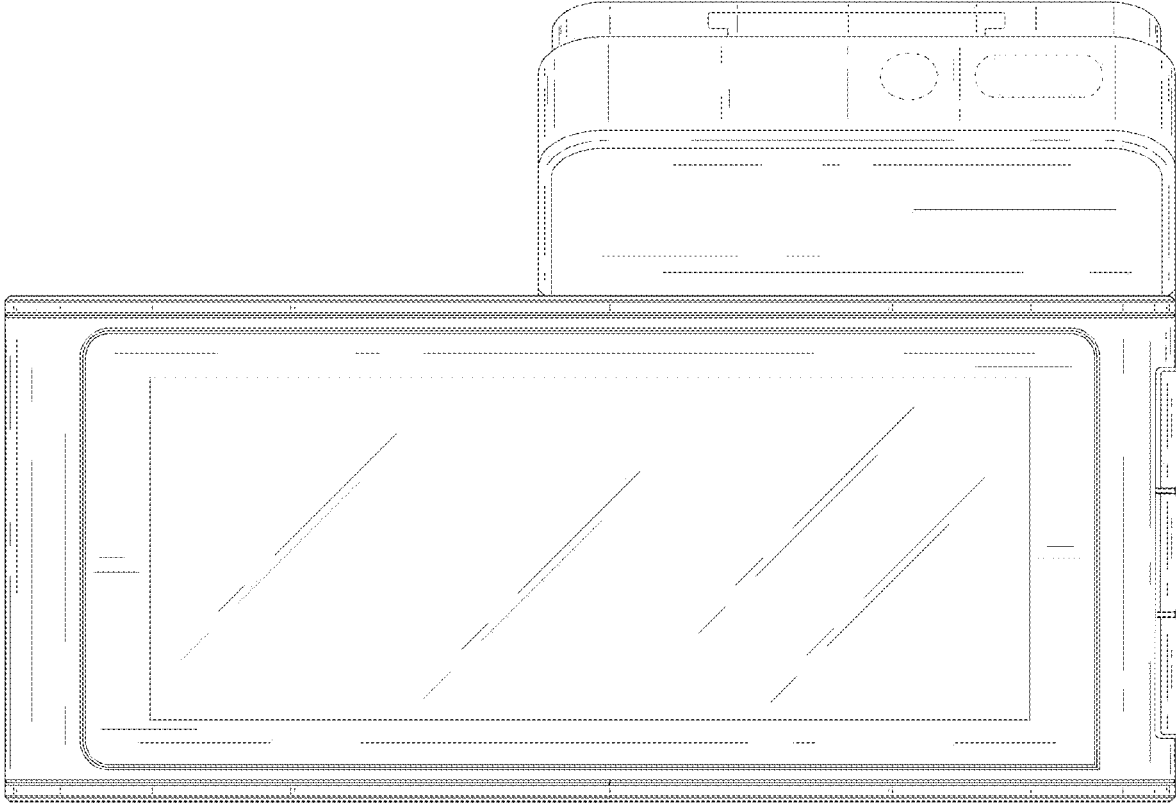


FIG. 4

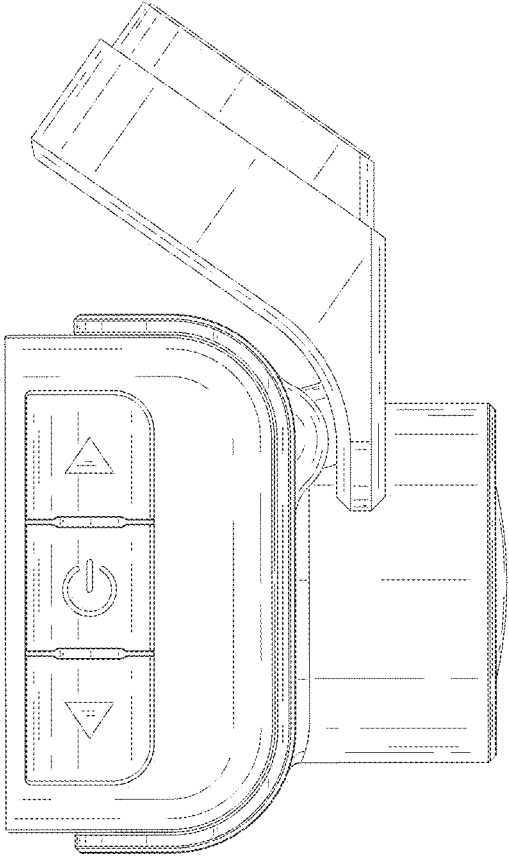


FIG. 5

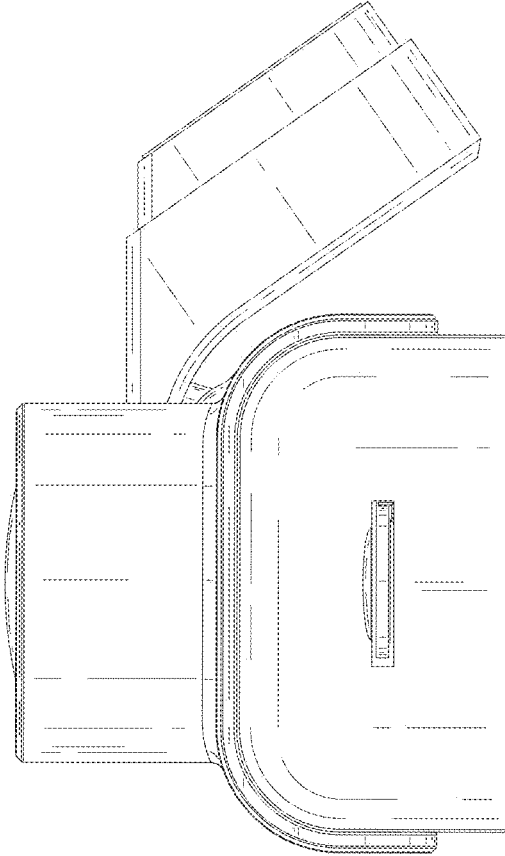


FIG. 6

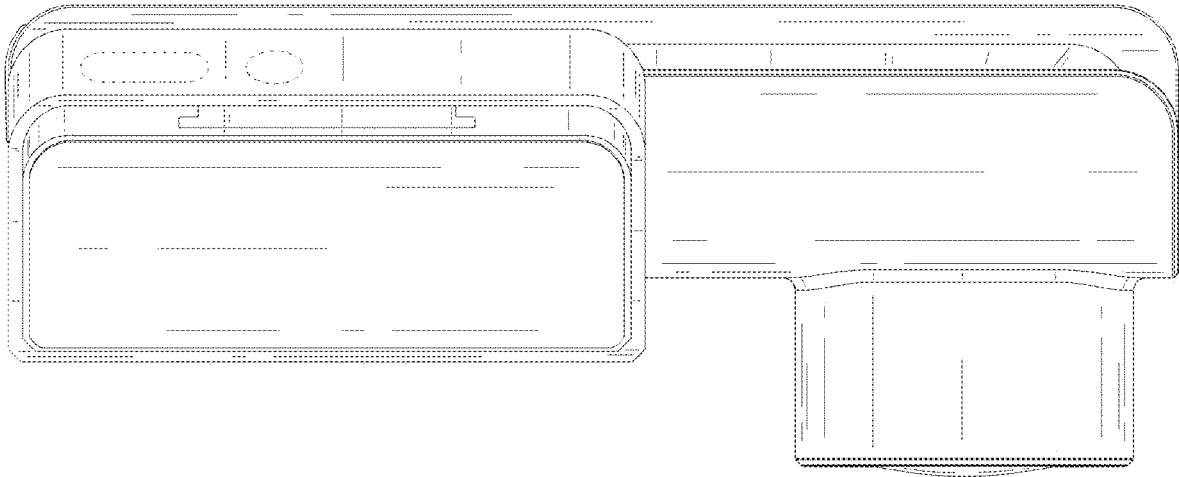


FIG. 7

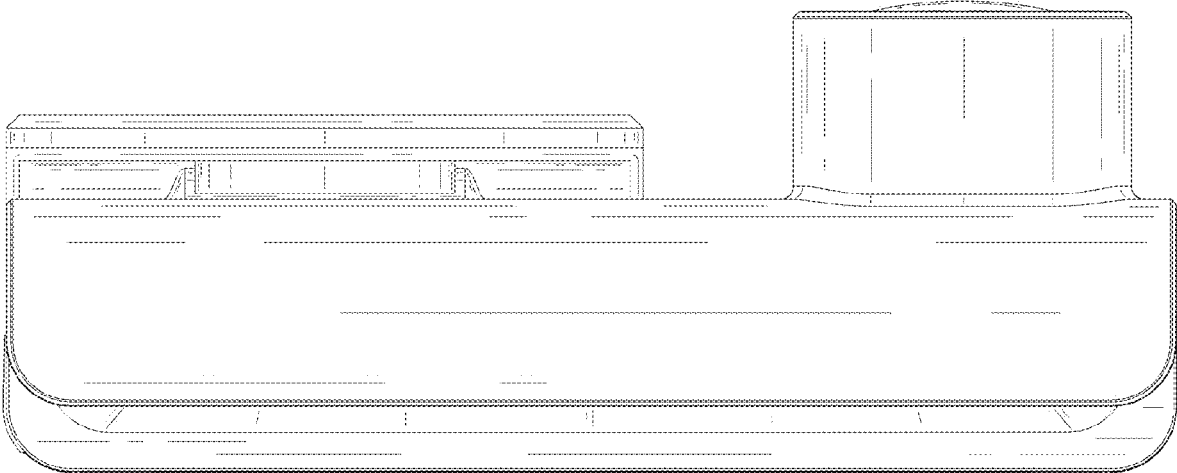


FIG. 8