



US00D758158S

(12) **United States Design Patent**
Beukema et al.

(10) **Patent No.:** **US D758,158 S**

(45) **Date of Patent:** **** Jun. 7, 2016**

(54) **FASTENING TOOL**

(71) Applicant: **BLACK & DECKER INC.**, Newark, DE (US)

(72) Inventors: **Brent Beukema**, Baltimore, MD (US);
James J. Kenney, Baltimore, MD (US);
Daniel L. Krout, Abingdon, MD (US);
Todd A. Hagan, Windsor, PA (US);
Dustin L. DeMarr, Nottingham, MD (US)

(73) Assignee: **Black & Decker Inc.**, New Britain, CT (US)

(**) Term: **14 Years**

(21) Appl. No.: **29/509,694**

(22) Filed: **Nov. 20, 2014**

(51) **LOC (10) Cl.** **08-05**

(52) **U.S. Cl.**
USPC **D8/68; D8/49**

(58) **Field of Classification Search**
USPC D8/61-70; 173/2, 13, 46, 109, 110, 173/114, 170, 178, 198, 214, 217; 227/8, 227/113, 114, 120, 130, 136, 142; 408/20, 408/35, 58, 67, 117, 124, 125, 234, 241 R; 429/92; 318/139; 362/119
CPC B23K 26/382; B23K 37/00; B23K 37/02; B23K 26/1482; B23K 26/20; B23K 26/36; B23K 26/0648; B23K 26/00; B23K 26/0066; B23K 26/043; B23K 26/064; B23K 26/38; B23Q 3/155; G02B 7/14

See application file for complete search history.

(56) **References Cited**

U.S. PATENT DOCUMENTS

5,180,091	A *	1/1993	Ota	B25C 5/1689
					227/120
5,816,468	A *	10/1998	Yang	B25C 1/008
					227/120
D435,769	S *	1/2001	Etter	D8/68
D475,597	S *	6/2003	Arai	D8/68
D478,490	S *	8/2003	Wu	D8/68
D479,110	S *	9/2003	Nolan	D8/68
6,913,180	B2 *	7/2005	Schuster	B25C 1/005
					227/109
6,966,476	B2 *	11/2005	Jalbert	B25C 1/003
					227/137
D512,622	S *	12/2005	Thomas	D8/69
D553,931	S *	10/2007	Buck	D8/68
7,413,103	B1 *	8/2008	Ho	B25C 1/008
					227/120
7,413,105	B1 *	8/2008	Ho	B25C 1/001
					227/120
D717,625	S *	11/2014	Martone	D8/68
2009/0050668	A1 *	2/2009	Jian	B25C 5/16
					227/126
2010/0206933	A1 *	8/2010	Wu	B25C 1/008
					227/8

* cited by examiner

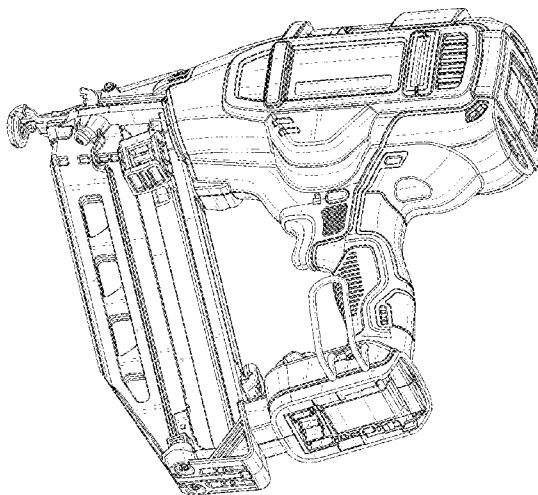
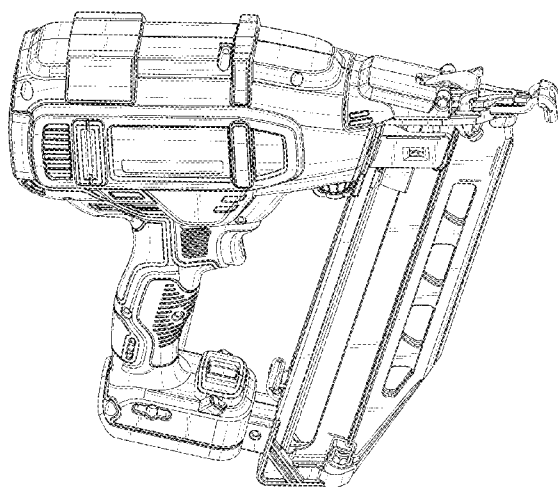
Primary Examiner — Austin Murphy
(74) *Attorney, Agent, or Firm* — Rhonda L. Barton

(57) **CLAIM**
The ornamental design for a fastening tool, as shown and described.

DESCRIPTION

FIG. 1 is a right perspective view of a fastening tool showing my new design;
FIG. 2 is a left perspective view thereof;
FIG. 3 is a front view thereof;
FIG. 4 is a rear view thereof;
FIG. 5 is a right side view thereof;
FIG. 6 is a left side view thereof;
FIG. 7 is a top view thereof; and,
FIG. 8 is a bottom view thereof.

1 Claim, 6 Drawing Sheets



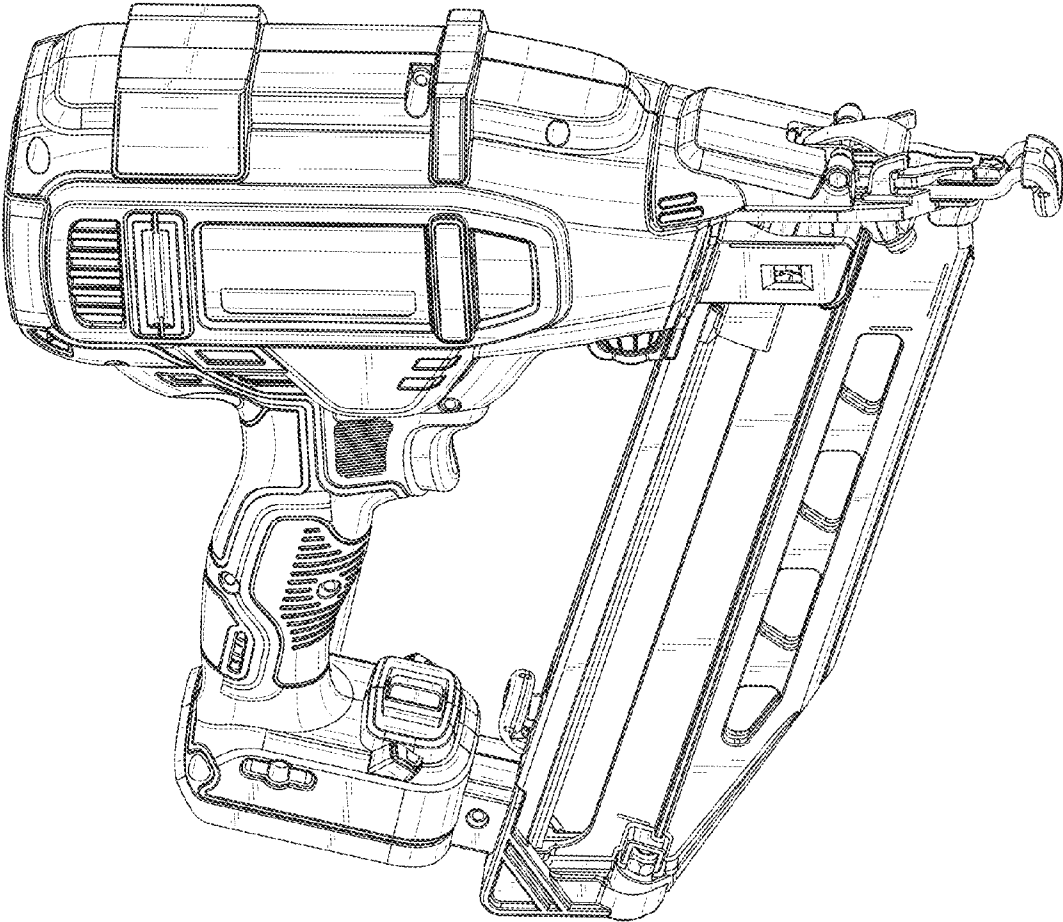


FIG. 1

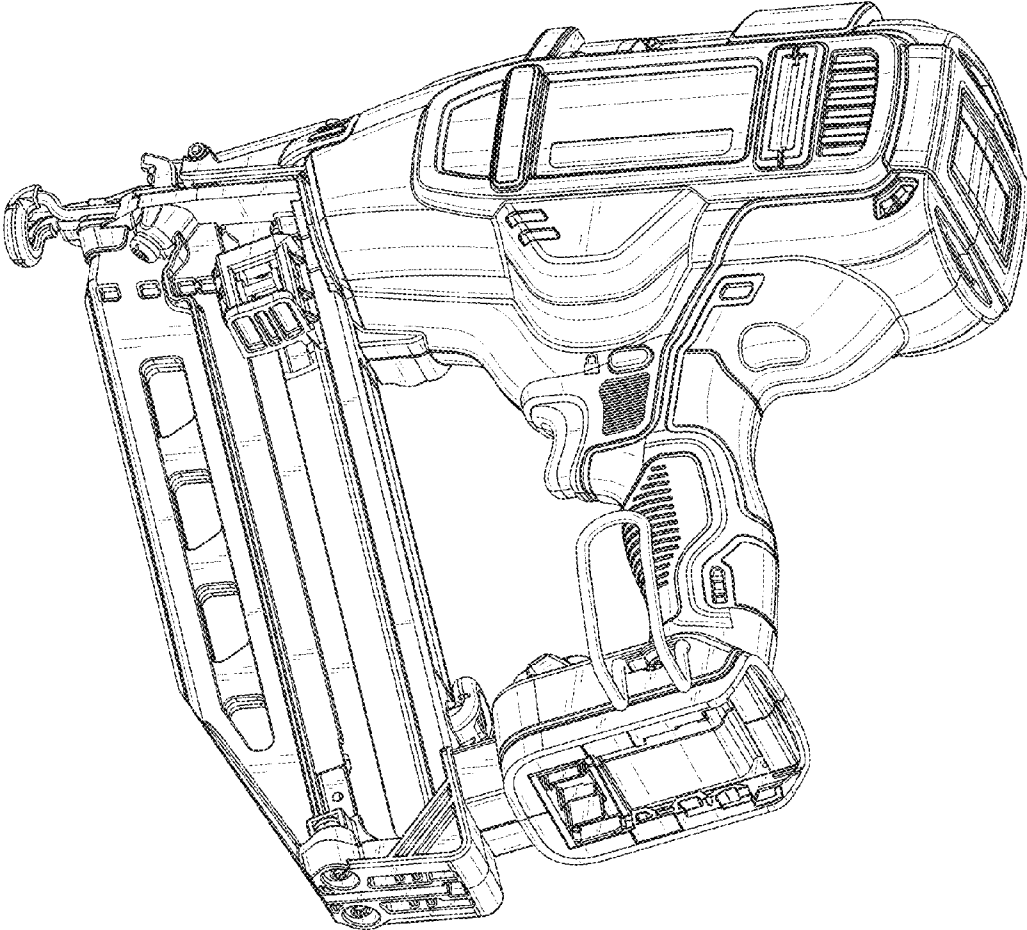


FIG. 2

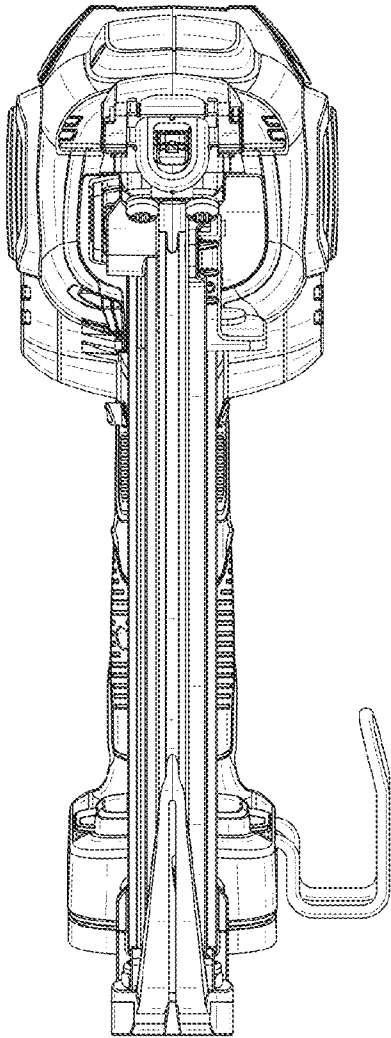


FIG. 3

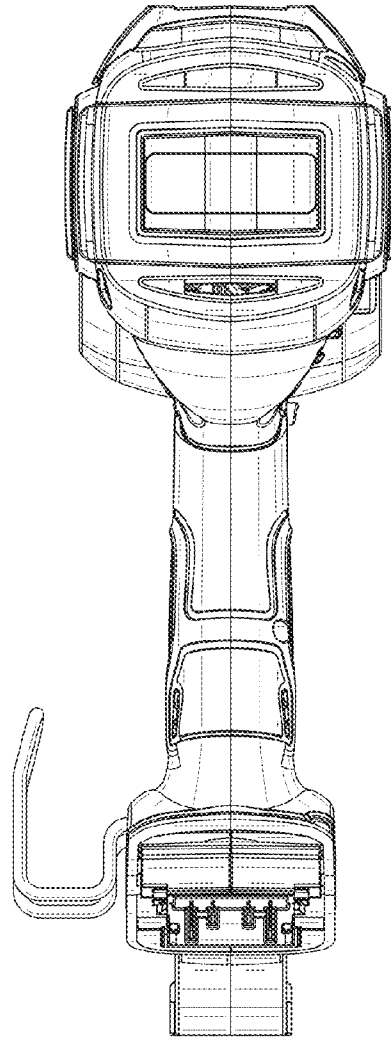


FIG. 4

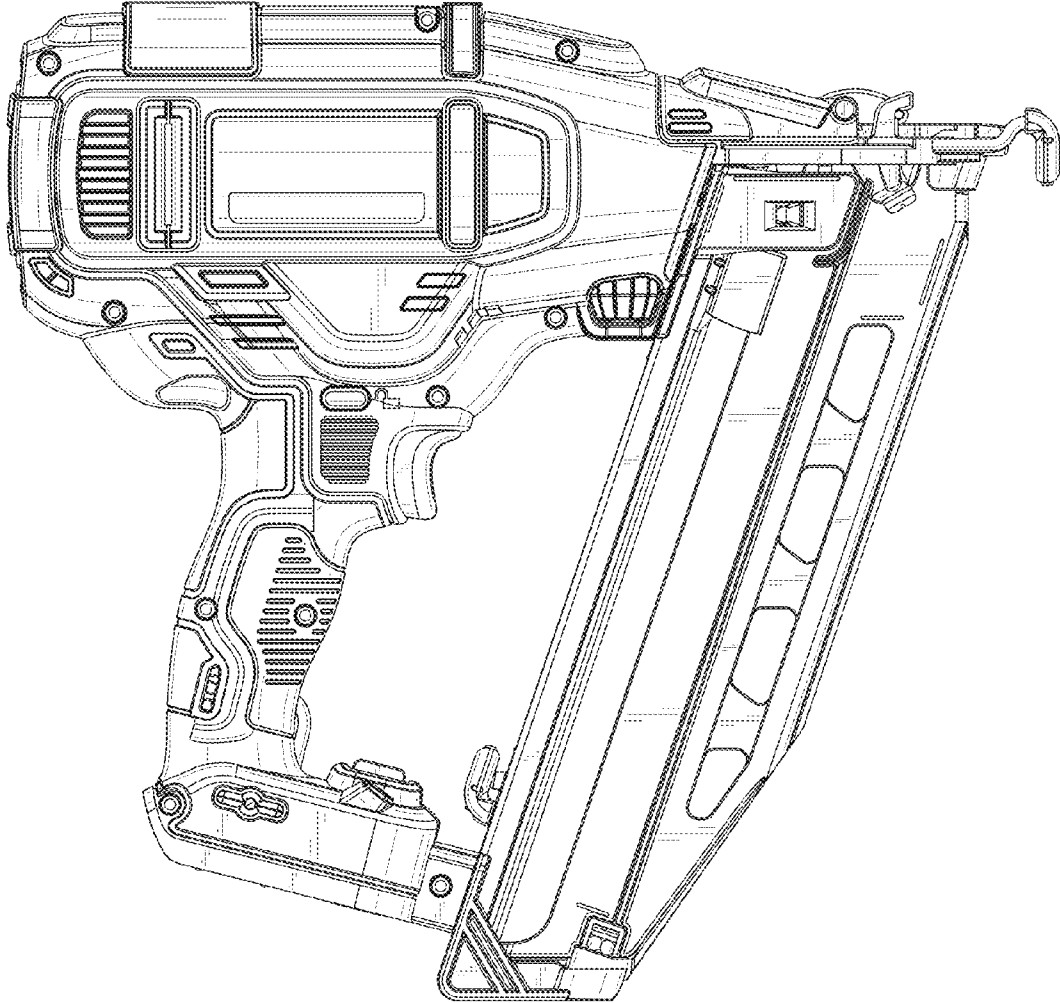


FIG. 5

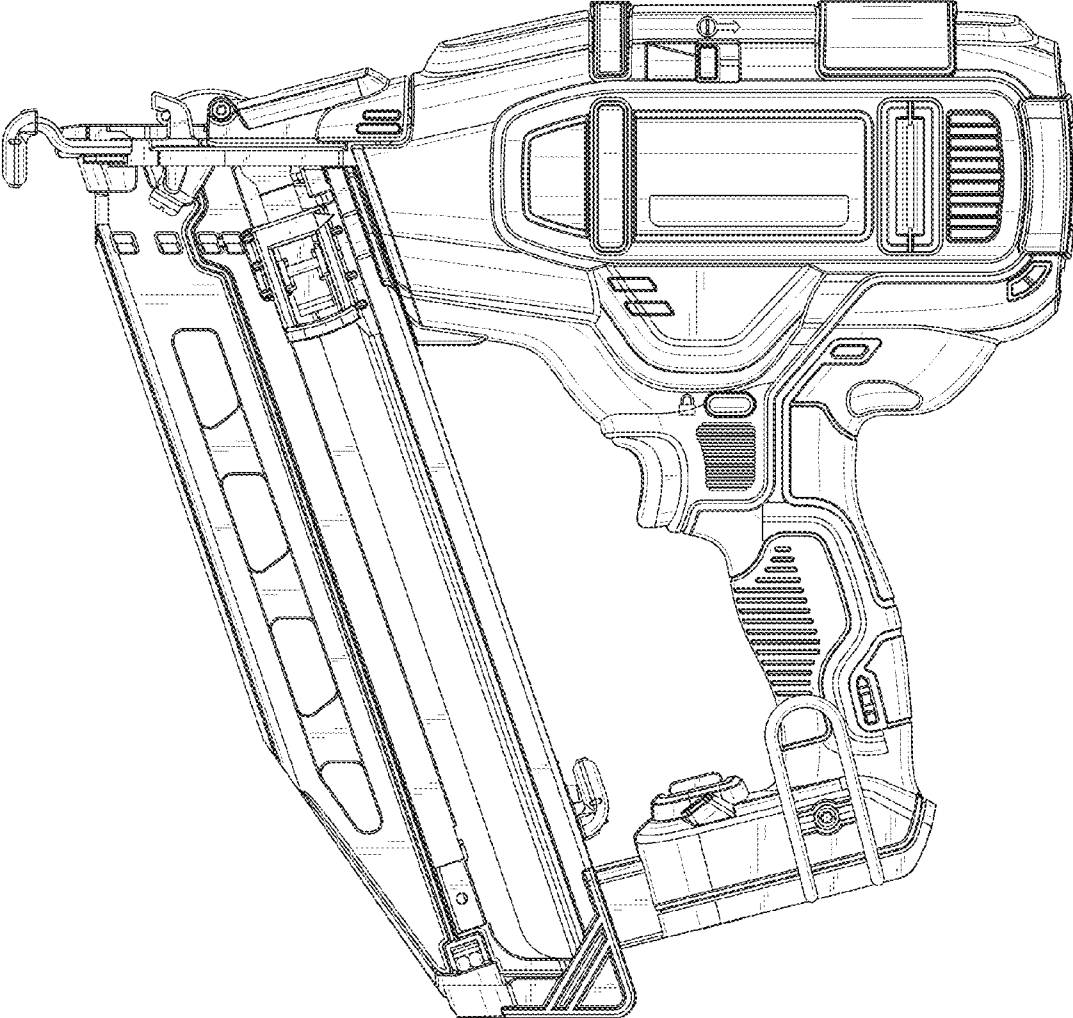


FIG. 6

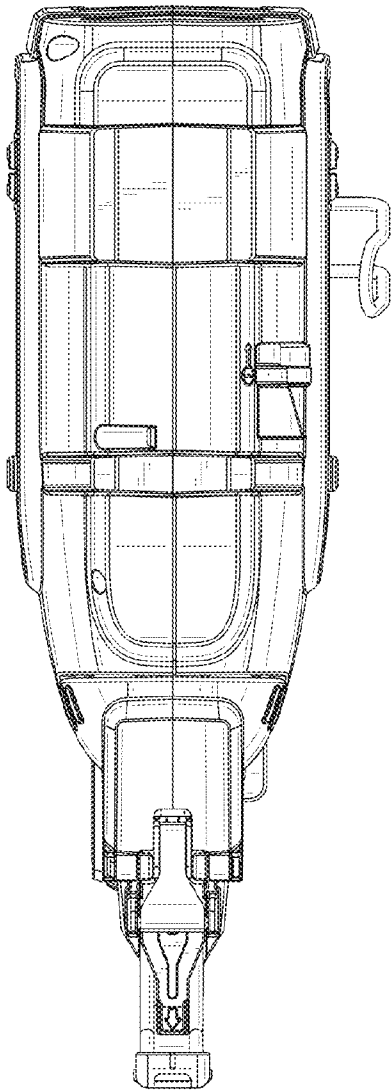


FIG. 7

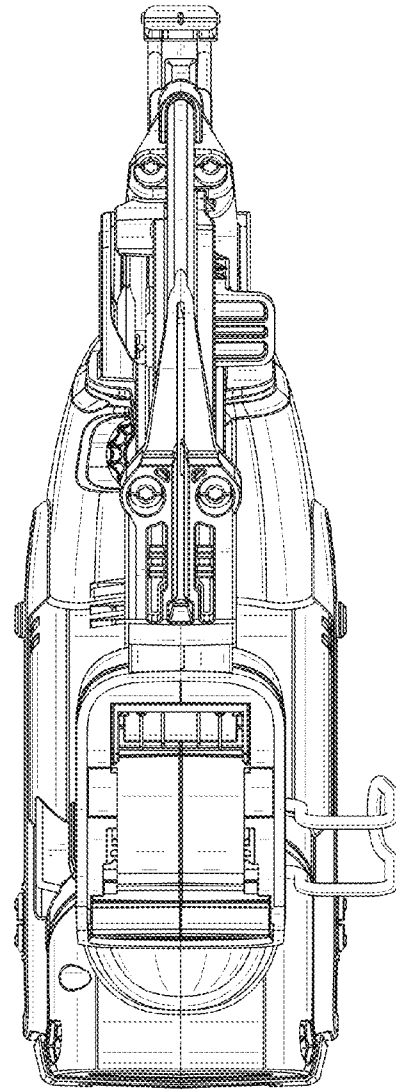


FIG. 8