



(12) **United States Design Patent**
Poulsen et al.

(10) **Patent No.:** **US D874,006 S**
(45) **Date of Patent:** **** Jan. 28, 2020**

(54) **RESPIRATORY EXERCISE DEVICE**

FOREIGN PATENT DOCUMENTS

(71) Applicant: **Aerofit.dk ApS**, Birkerød (DK)

CA 2948137 A1 11/2015
WO WO-2004012577 A2 * 2/2004 A61B 5/083
WO 2015120435 A1 8/2015

(72) Inventors: **Christian Tulberg Poulsen**, Birkerød (DK); **Tue Toft**, København N (DK)

OTHER PUBLICATIONS

(73) Assignee: **Aerofit.dk ApS**, Birkerød (DK)

Hammacher Schlemmer. Link: https://www.hammacher.com/product/respiratory-exerciser?cm_cat=ProductSEM&cm_pla=AdWordsPLA&source=PRODSEM&gclid=EALalQobChMlz9Swsaeb4AlVy4CfCh1pPA64EAQYBCABEglQJPD_BwE. Visited Feb. 1, 2019. The Respiratory Exerciser. (Year: 2019).*

(**) Term: **15 Years**

(21) Appl. No.: **29/629,852**

(22) Filed: **Dec. 15, 2017**

(30) **Foreign Application Priority Data**

(Continued)

Jun. 15, 2017 (EM) 004049260

(51) **LOC (12) Cl.** **24-02**

(52) **U.S. Cl.**
USPC **D24/164**

(58) **Field of Classification Search**
USPC ... D24/164, 165, 186, 185, 231, 234, 110.5,
D24/110.6, 110

CPC A61B 5/0816; A61B 5/083; A61B 5/087;
A61B 5/091; A61M 16/0488; A61M
16/049; A61M 16/0493

See application file for complete search history.

Primary Examiner — Susan Bennett Hattan

Assistant Examiner — Lauren D McVey

(74) *Attorney, Agent, or Firm* — Dinsmore & Shohl LLP

(57) **CLAIM**

The ornamental design for a respiratory exercise device, as shown and described.

(56) **References Cited**

DESCRIPTION

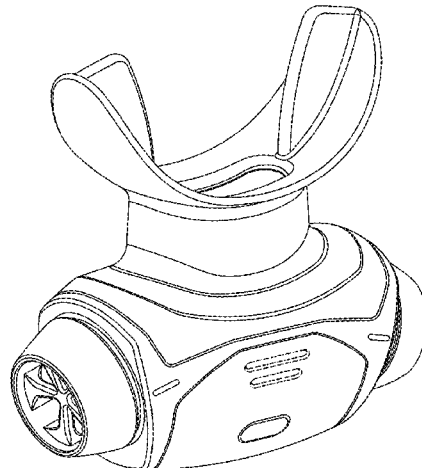
U.S. PATENT DOCUMENTS

D303,440 S * 9/1989 Campbell D24/110.5
7,721,729 B2 * 5/2010 Von Hollen A61M 15/0085
128/200.14
D713,531 S * 9/2014 Way D24/181
D731,050 S * 6/2015 Meyer A61M 16/208
D24/110.5
D760,889 S * 7/2016 Evans D24/110.5
D778,429 S * 2/2017 Engelbreth D24/110
D780,249 S * 2/2017 Ramsthaler D16/242
D795,431 S * 8/2017 Way D24/152
D795,440 S * 8/2017 Way D24/181
2003/0234017 A1 12/2003 Pelerosi et al.
2008/0078383 A1 * 4/2008 Richards A61M 16/08
128/203.12

FIG. 1 is a perspective view of a respiratory exercise device showing our new design;
FIG. 2 is a top plan view thereof;
FIG. 3 is a side elevation view thereof, the opposite side being a mirror image thereof;
FIG. 4 is a front elevation view thereof;
FIG. 5 is a rear elevation view thereof; and,
FIG. 6 is a bottom plan view thereof.
The broken lines that are immediately adjacent to the claimed areas depict the bounds of the claimed design while all other broken lines are directed to environment. The broken lines form no part of the claimed design.

(Continued)

1 Claim, 5 Drawing Sheets



(56)

References Cited

U.S. PATENT DOCUMENTS

2013/0273490 A1* 10/2013 Way A61C 7/008
 433/6
 2014/0150790 A1* 6/2014 Meyer A61M 16/208
 128/204.18
 2016/0038056 A1 2/2016 Johnson et al.
 2016/0150998 A1 6/2016 Shiner et al.
 2018/0228643 A1* 8/2018 Goldstein A61C 5/90

OTHER PUBLICATIONS

Abe Fumito, et al., Histone deacetylase inhibitors inhibit metastasis by restoring tumor suppressive microRNA-150 in advanced cutaneous T-cell lymphoma, *Oncotarget*, vol. 8, No. 5, pp. 7572-7585, 2017.
 Lindahl Lisa M., et al., Prognostic miRNA classifier in early-stage mycosis fungoides: Development and validation in a Danish nation-

wide study, *Blood*, published by the American Society of Hematology, Prepublished online Dec. 5, 2017, DOI: 10.1182/blood-2017-06-788950.

Marosvari Dora., et al., Altered MicroRNA Expression in Folliculotropic and Transformed Mycosis Fungoides, *Springer-Pathol. Oncol. Res.*, 21:821-825, 2015.

Narducci MG., et al., MicroRNA profiling reveals that miR-21, miR486 and miR-214 are upregulated and involved in cell survival in Sezary syndrome, *Cell Death and Disease*, 2, e151; Mcmillan Publishers Limited, 2011.

Ralfkiaer Ulrik., et al., MicroRNA Expression in Early Mycosis Fungoides Is Distinctly Different from Atopic Dermatitis and Advanced Cutaneous T-Cell Lymphoma, *Anticancer Research*, 34:7207-7218, 2014.

Sandoval Juan, et al., MicroRNA Expression Profiling and DNA Methylation Signature for Deregulated MicroRNA in Cutaneous T-Cell Lymphoma, *Journal of Investigative Dermatology*, 2015, 135, 1128-1137, The Society of Investigative Dermatology, 2015.

* cited by examiner

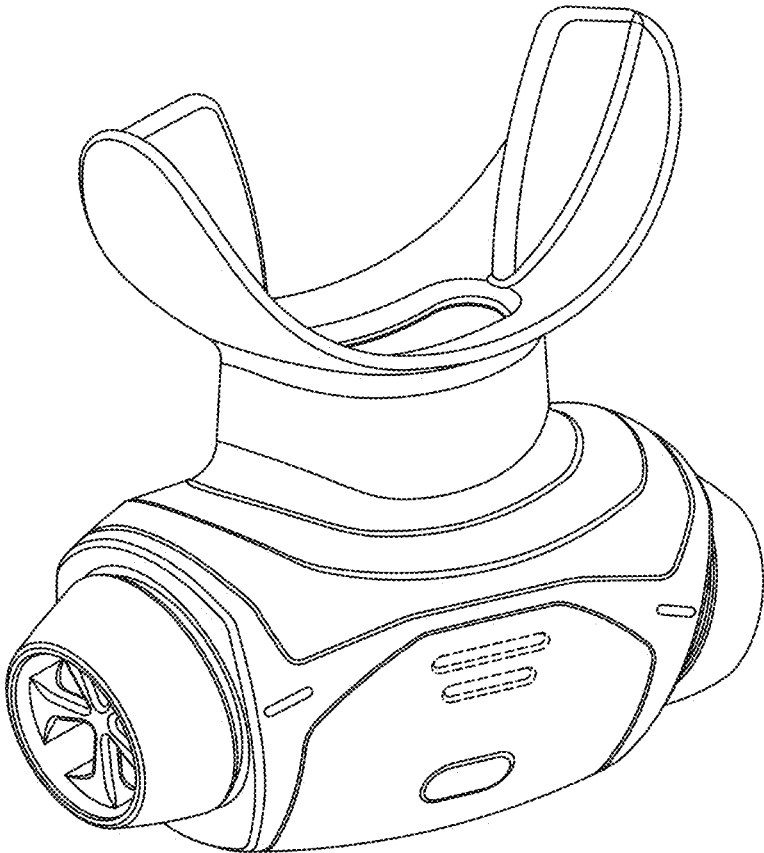


FIG. 1

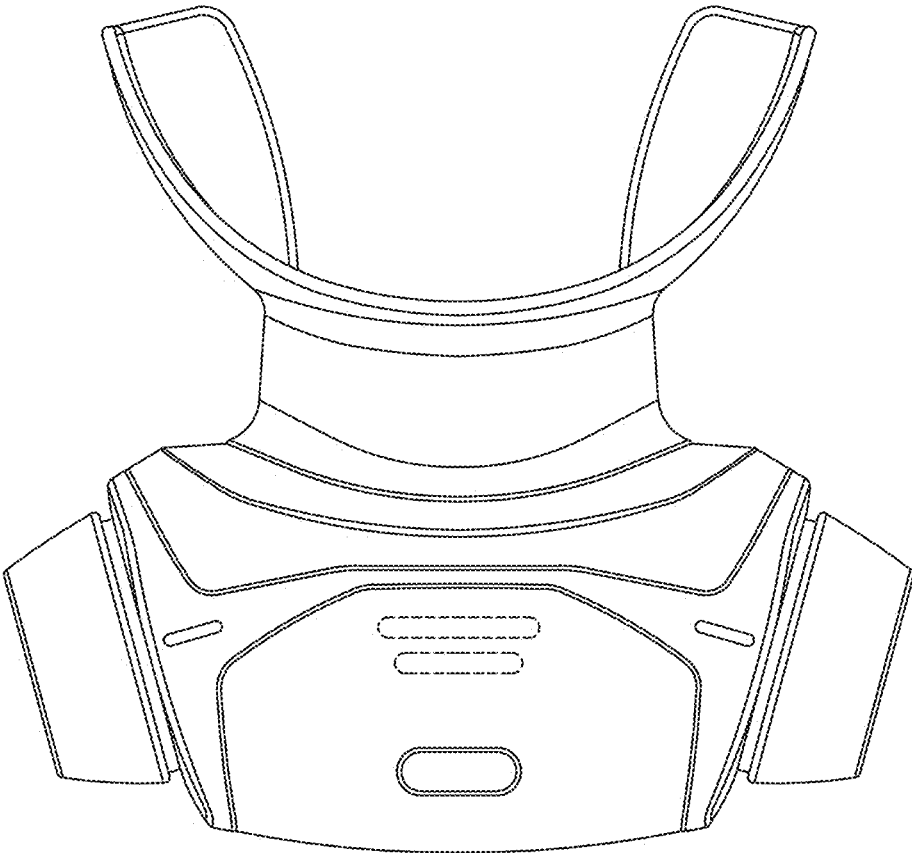


FIG. 2

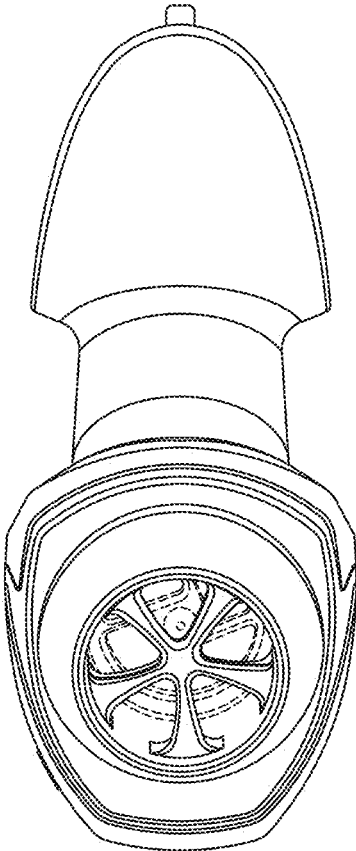


FIG. 3

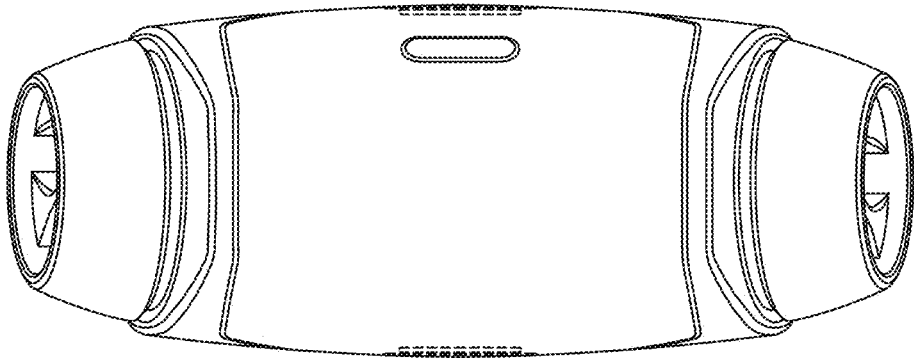


FIG. 4

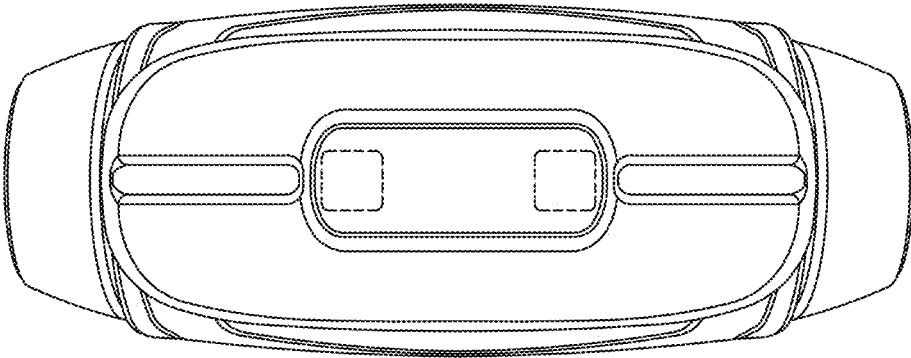


FIG. 5

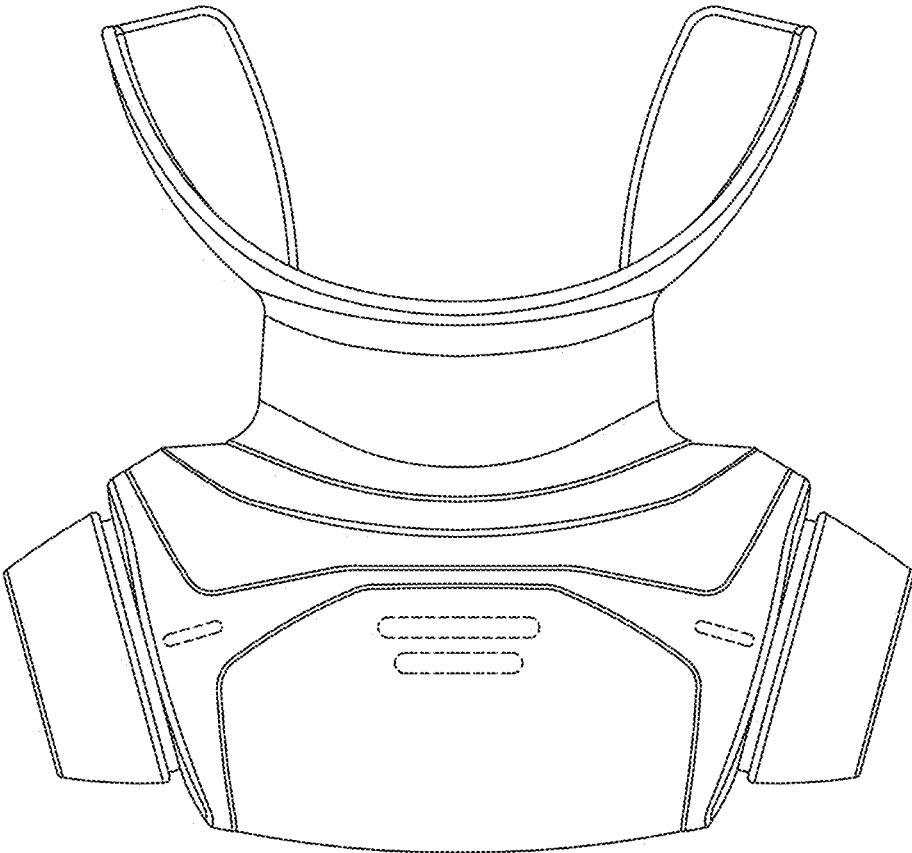


FIG. 6