



US00D853538S

(12) **United States Design Patent**  
**Richter**

(10) **Patent No.:** **US D853,538 S**

(45) **Date of Patent:** **\*\* Jul. 9, 2019**

(54) **TOILET**

(71) Applicant: **Duravit Aktiengesellschaft**, Hornberg (DE)

(72) Inventor: **Frank Richter**, Hornberg (DE)

(73) Assignee: **Duravit Aktiengesellschaft**, Hornberg (DE)

(\*\*) Term: **15 Years**

(21) Appl. No.: **29/613,941**

(22) Filed: **Aug. 15, 2017**

(30) **Foreign Application Priority Data**

Feb. 15, 2017 (WO) ..... DM/095253

(51) **LOC (11) Cl.** ..... **23-02**

(52) **U.S. Cl.**  
USPC ..... **D23/295; D23/300**

(58) **Field of Classification Search**  
USPC ..... D23/295, 300, 301, 303, 309, 313,  
D23/273-274  
See application file for complete search history.

(56) **References Cited**

**U.S. PATENT DOCUMENTS**

D494,667 S \* 8/2004 Kergoet ..... D23/295  
6,986,172 B2 \* 1/2006 Hidetaka ..... E03D 1/28  
4/421

(Continued)

*Primary Examiner* — Robert A Delehanty

(74) *Attorney, Agent, or Firm* — Florek & Endres PLLC

(57) **CLAIM**

I claim the ornamental design for a toilet, as shown and described.

**DESCRIPTION**

FIG. 1 is a perspective view of a first embodiment of a design for a toilet.

FIG. 2 is a top plan view of a first embodiment of a design for a toilet.

FIG. 3 is a bottom plan view of a first embodiment of a design for a toilet.

FIG. 4 is a front elevation view of a first embodiment of a design for a toilet.

FIG. 5 is a rear elevation view of a first embodiment of a design for a toilet.

FIG. 6 is a right side elevation view of a first embodiment of a design for a toilet.

FIG. 7 is a left side elevation view of a first embodiment of a design for a toilet.

FIG. 8 is a perspective view of a second embodiment of a design for a toilet.

FIG. 9 is a top plan view of a second embodiment of a design for a toilet.

FIG. 10 is a bottom plan view of a second embodiment of a design for a toilet.

FIG. 11 is a front elevation view of a second embodiment of a design for a toilet.

FIG. 12 is a rear elevation view of a second embodiment of a design for a toilet.

FIG. 13 is a right side elevation view of a second embodiment of a design for a toilet.

FIG. 14 is a left side elevation view of a second embodiment of a design for a toilet.

FIG. 15 is a perspective view of a third embodiment of a design for a toilet.

FIG. 16 is a top plan view of a third embodiment of a design for a toilet.

FIG. 17 is a bottom plan view of a third embodiment of a design for a toilet.

FIG. 18 is a front elevation view of a third embodiment of a design for a toilet.

FIG. 19 is a rear elevation view of a third embodiment of a design for a toilet.

FIG. 20 is a right side elevation view of a third embodiment of a design for a toilet.

FIG. 21 is a left side elevation view of a third embodiment of a design for a toilet.

FIG. 22 is a perspective view of a fourth embodiment of a design for a toilet.

FIG. 23 is a top plan view of a fourth embodiment of a design for a toilet shown without a toilet seat.

(Continued)

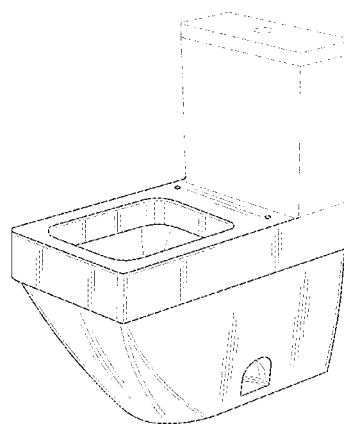
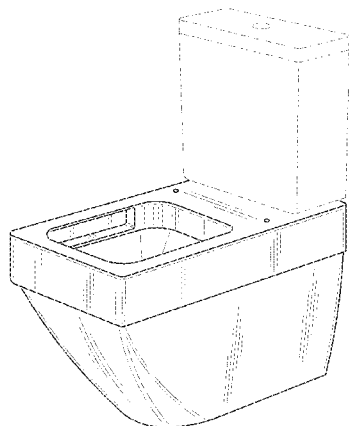


FIG. 24 is a top plan view of a fourth embodiment of a design for a toilet shown with a toilet seat.

FIG. 25 is a bottom plan view of a fourth embodiment of a design for a toilet.

FIG. 26 is a front elevation view of a fourth embodiment of a design for a toilet.

FIG. 27 is a rear elevation view of a fourth embodiment of a design for a toilet.

FIG. 28 is a right side elevation view of a fourth embodiment of a design for a toilet; and,

FIG. 29 is a left side elevation view of a fourth embodiment of a design for a toilet.

The embodiments presented in FIGS. 1-29 are as contemplated by the MPEP Section No. 1504.05. Thus, the multiple embodiments involve a single inventive concept and are a single patentable design.

The broken lines in the drawings are for the purpose of illustration only and form no part of the claimed design.

**1 Claim, 16 Drawing Sheets**

(56)

**References Cited**

U.S. PATENT DOCUMENTS

D532,494	S *	11/2006	Mukai .....	D23/301
D556,870	S *	12/2007	Lin .....	D23/295
D612,026	S *	3/2010	Soulier .....	D23/295
D622,827	S *	8/2010	Soulier .....	D23/295
D663,391	S *	7/2012	Iranyi .....	D23/295
D683,437	S *	5/2013	Newson .....	D23/301
D683,828	S *	6/2013	Newson .....	D23/295
10,060,113	B2 *	8/2018	Luetngen .....	E03D 9/00

\* cited by examiner

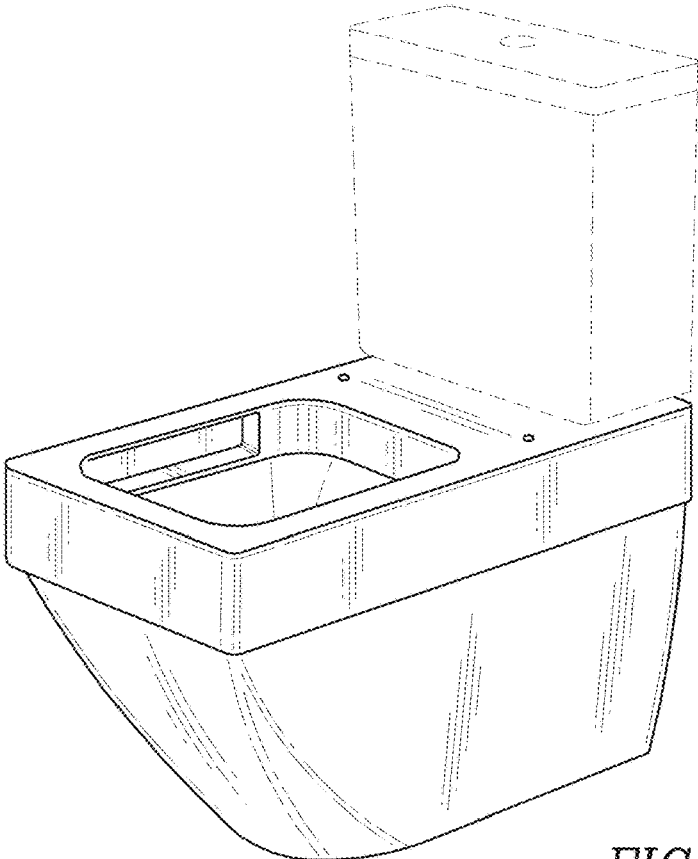


FIG. 1

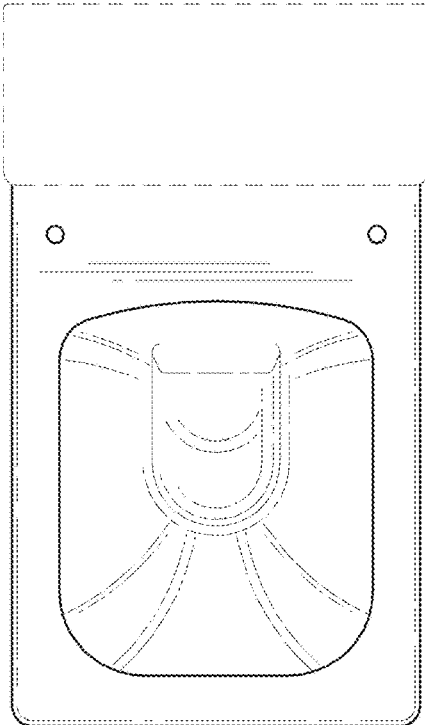


FIG. 2

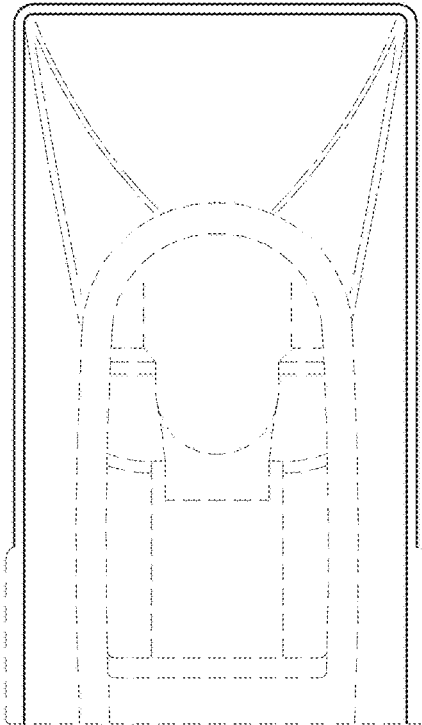


FIG. 3

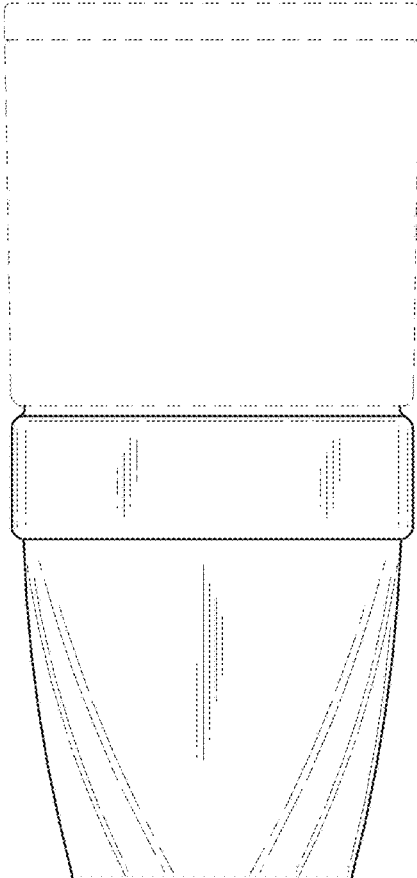


FIG. 4

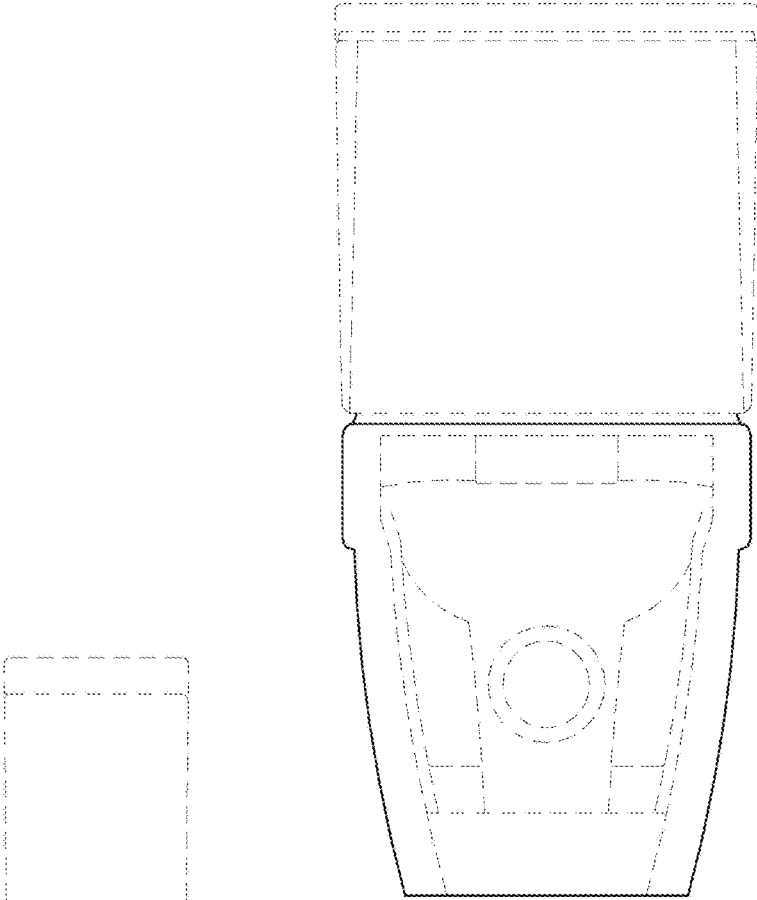


FIG. 5

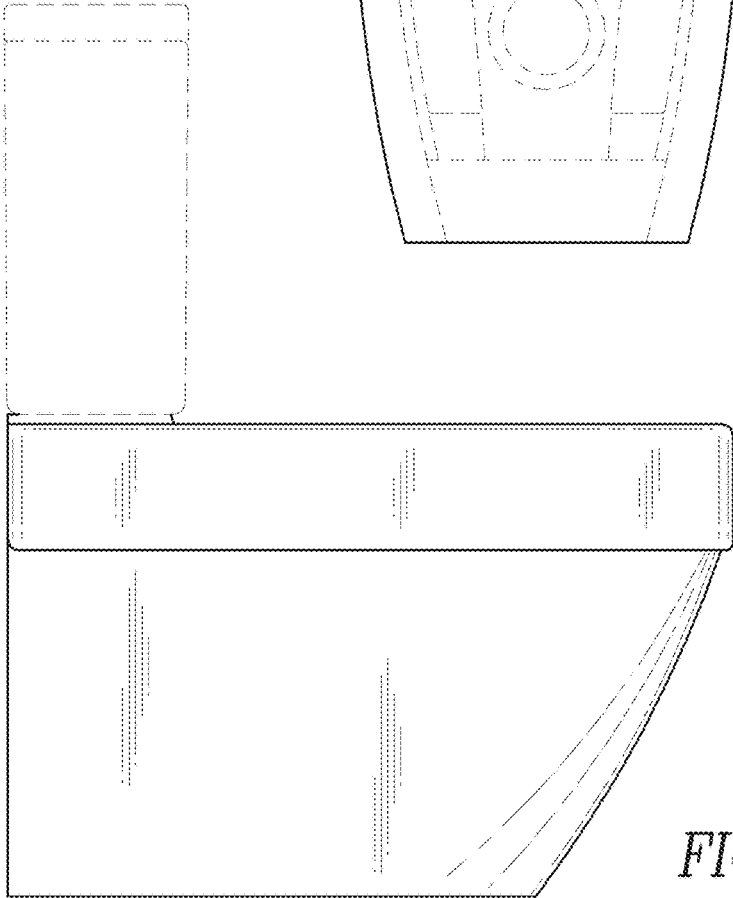


FIG. 6

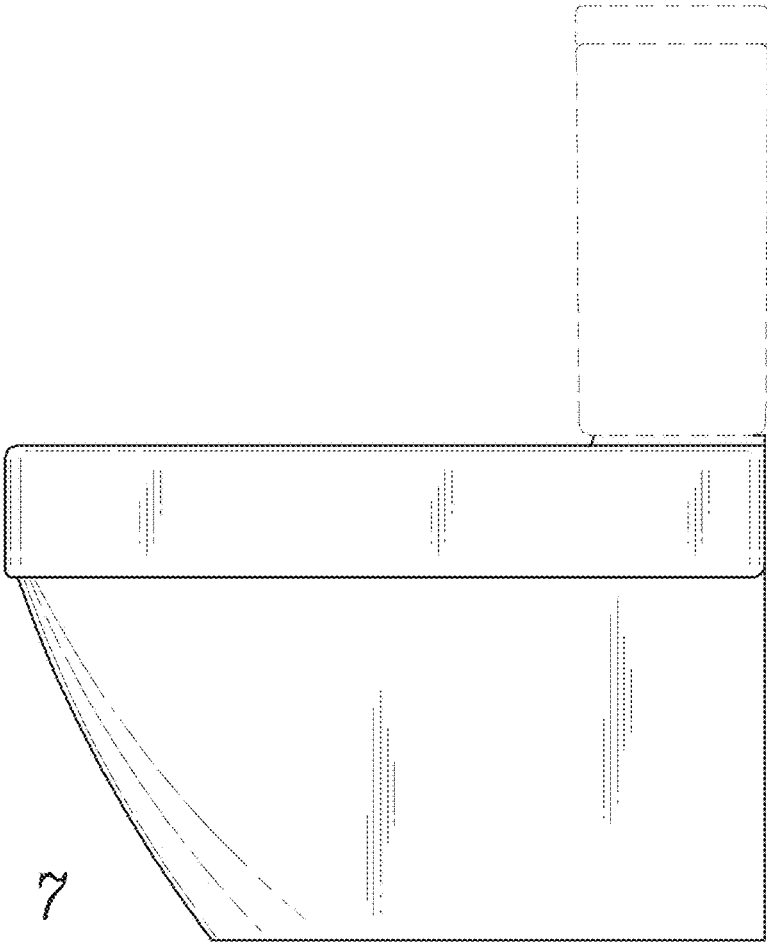


FIG. 7

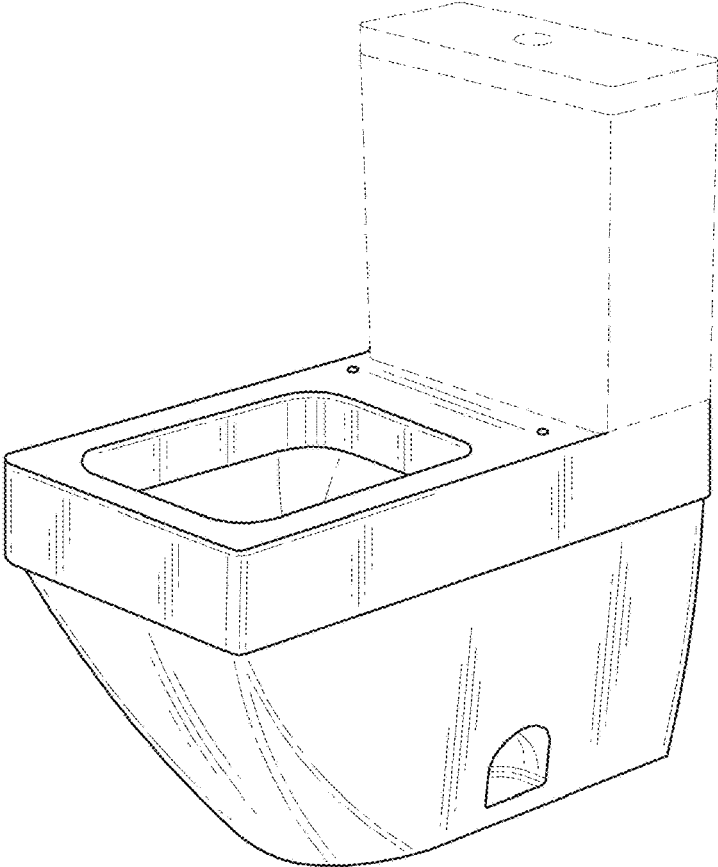


FIG. 8

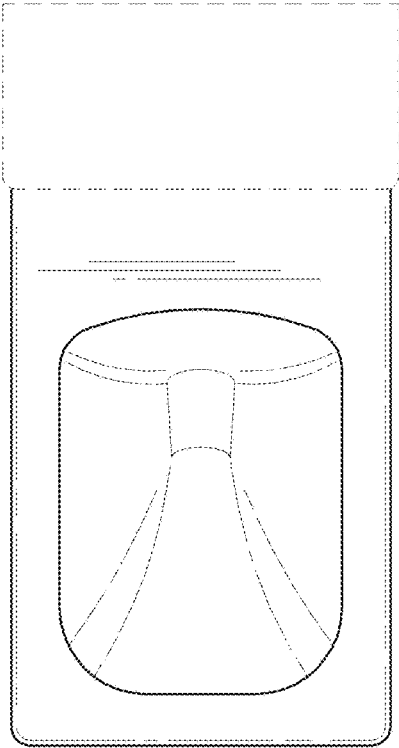


FIG. 9

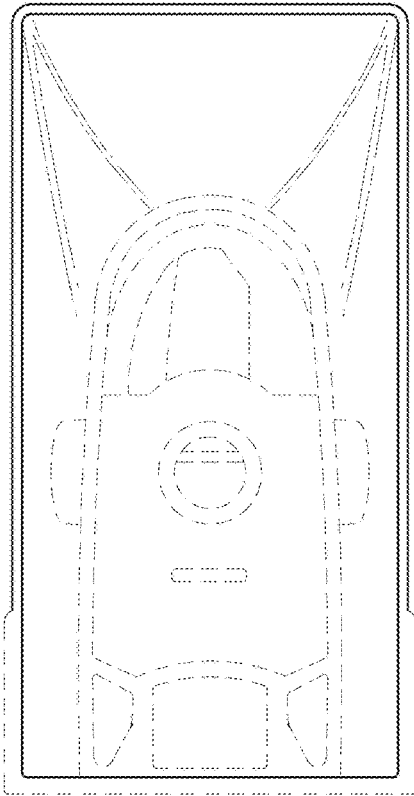


FIG. 10

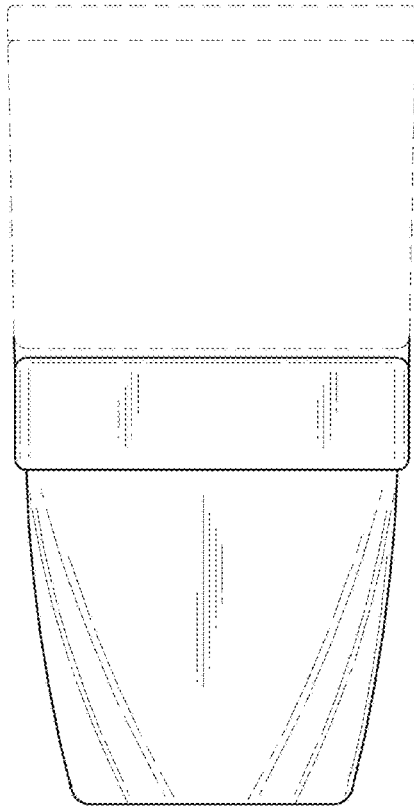


FIG. 11



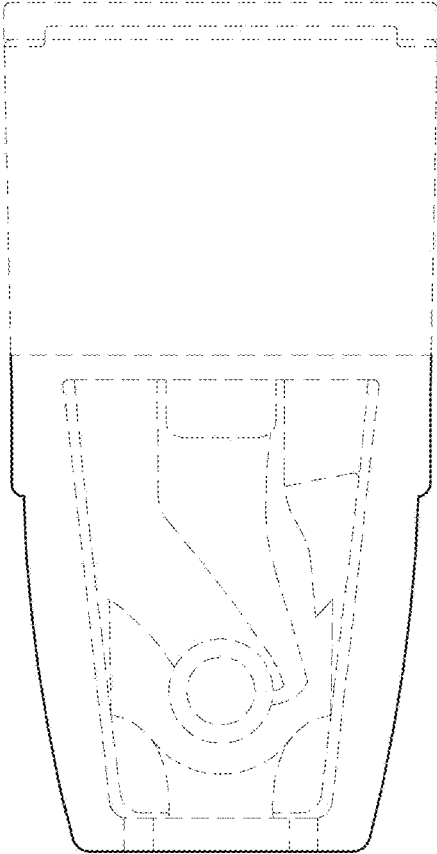


FIG. 12

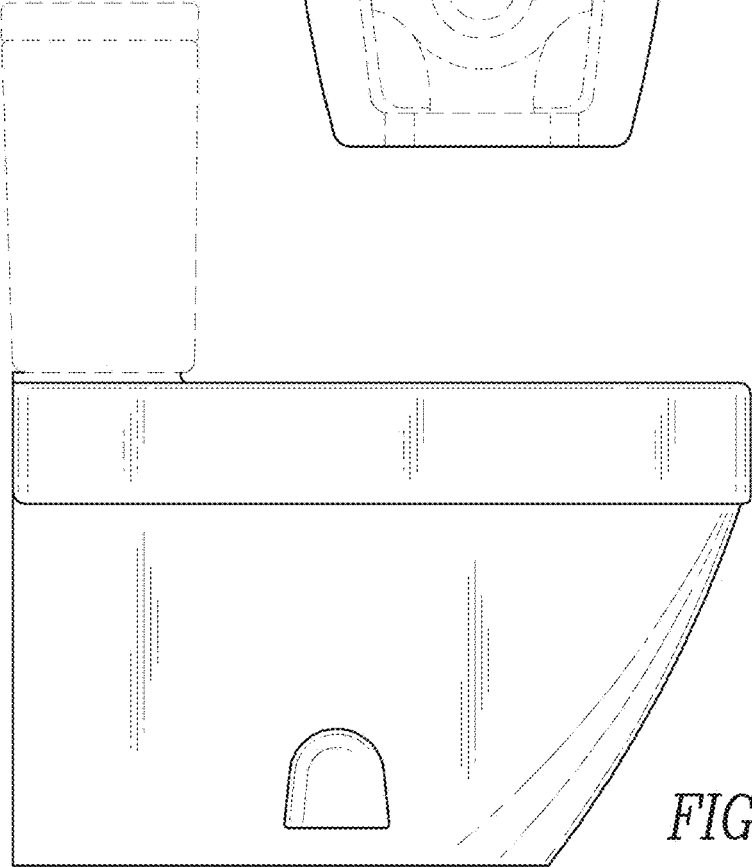


FIG. 13

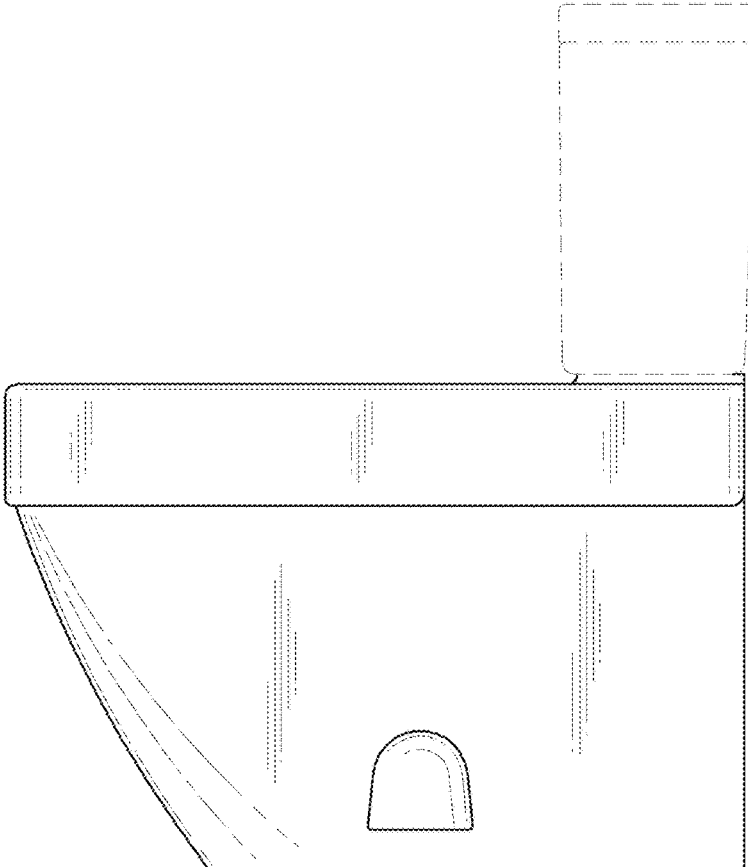


FIG. 14

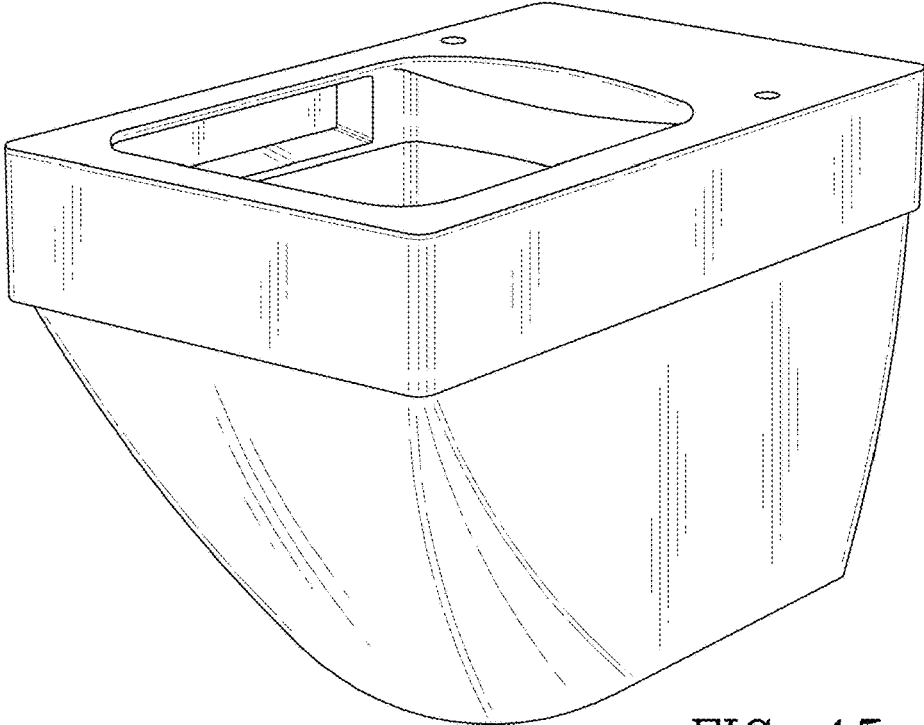


FIG. 15

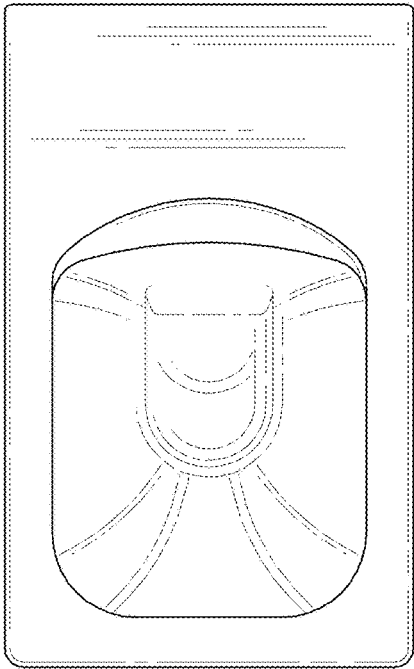


FIG. 16

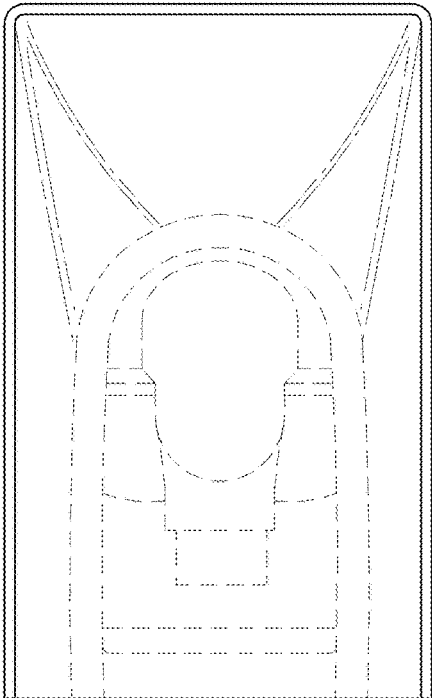


FIG. 17

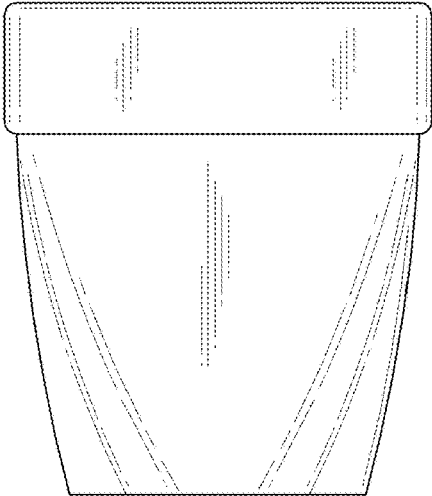


FIG. 18

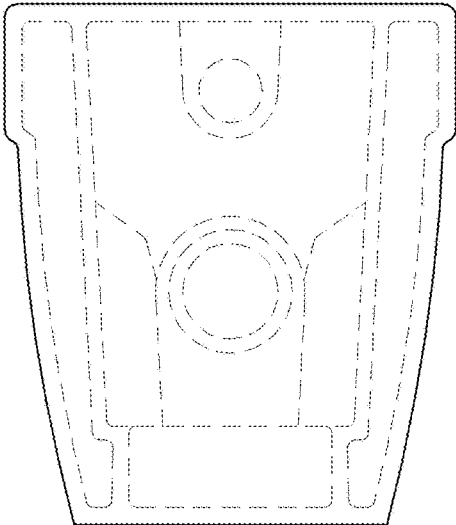


FIG. 19

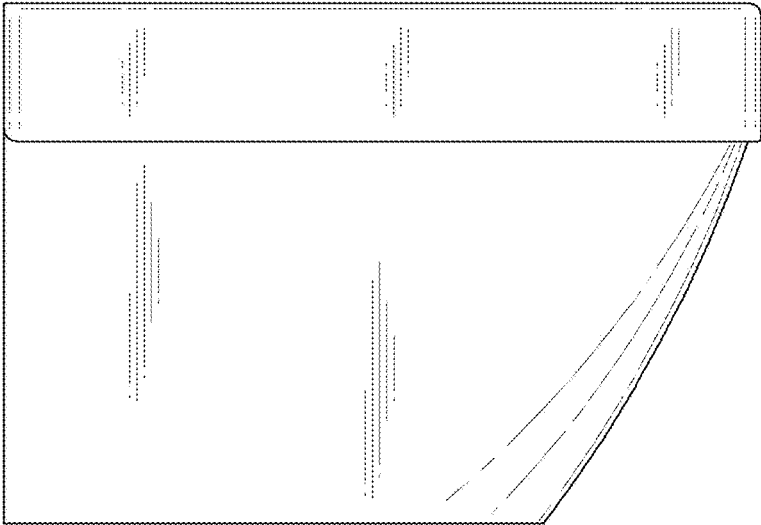


FIG. 20

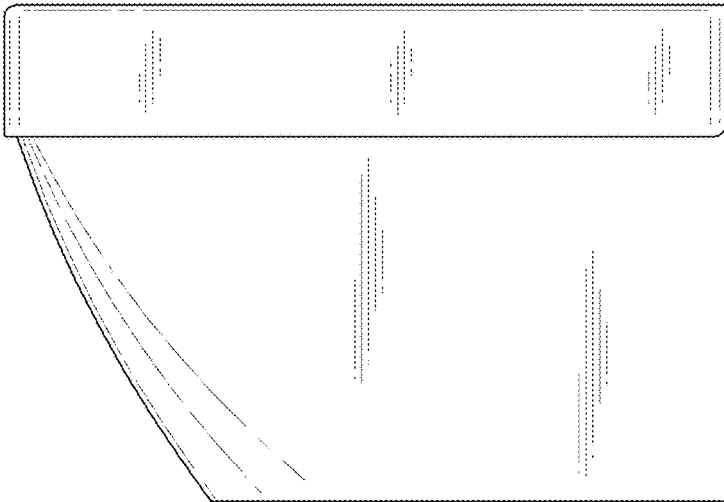


FIG. 21

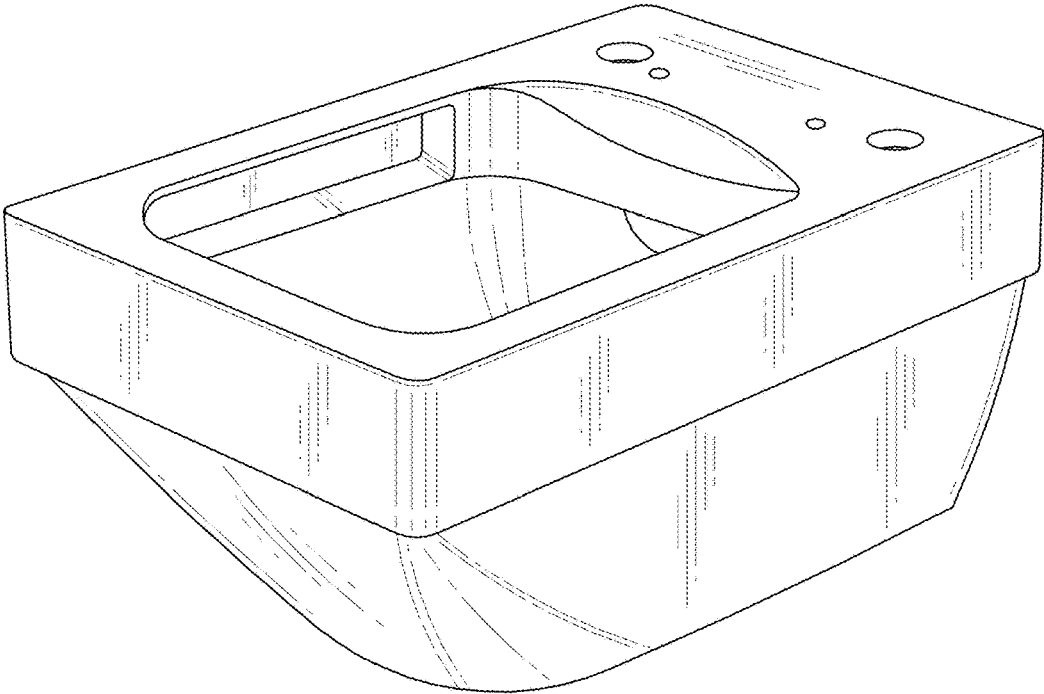


FIG. 22

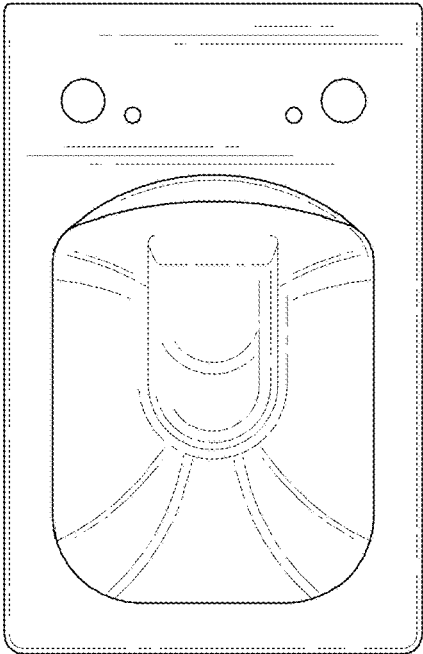


FIG. 23

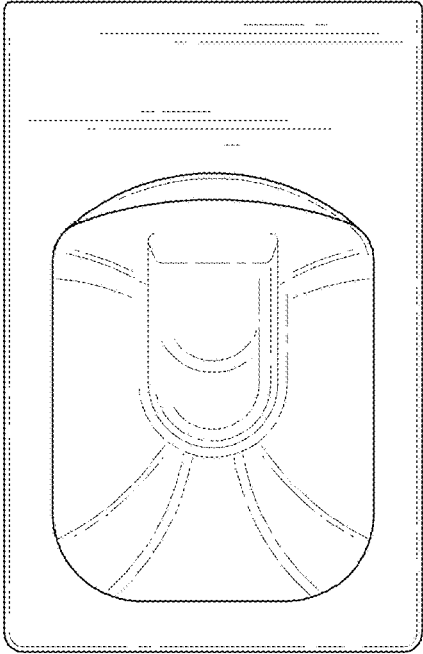


FIG. 24

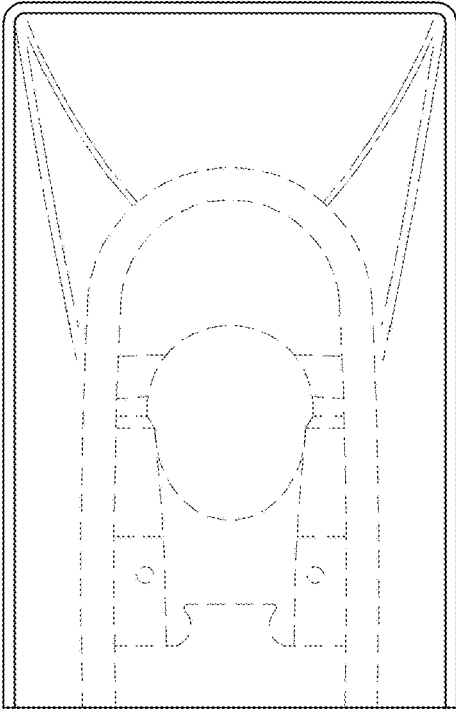


FIG. 25

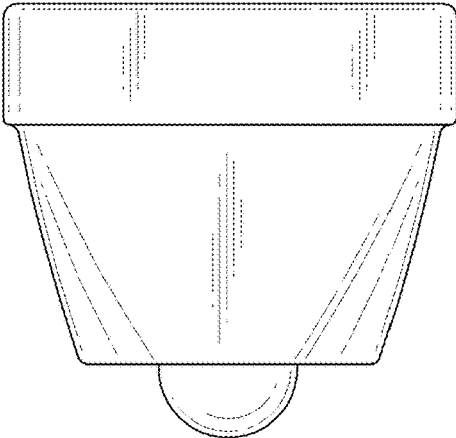


FIG. 26



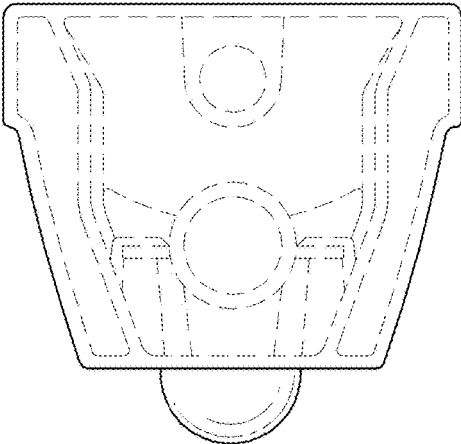


FIG. 27

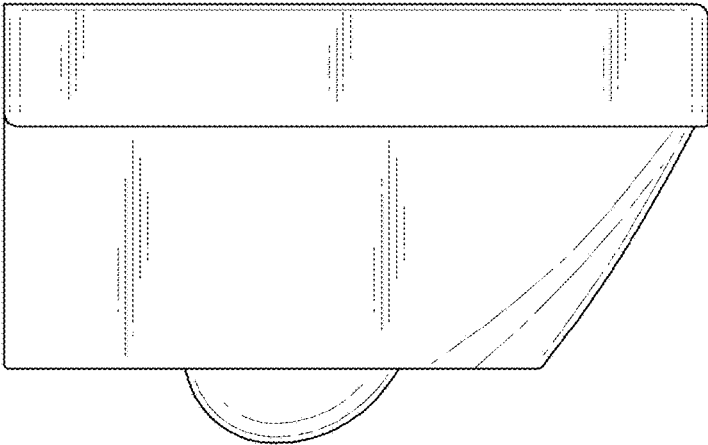


FIG. 28

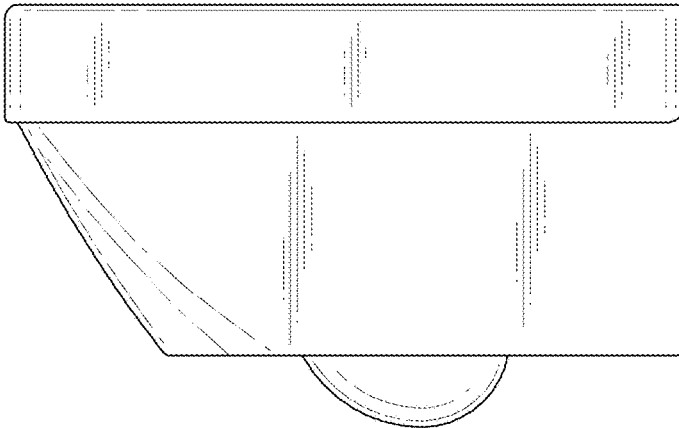


FIG. 29