



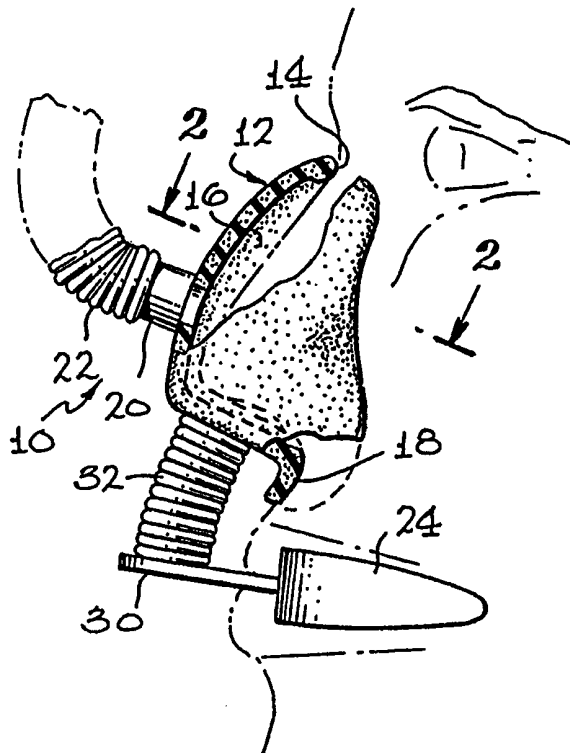
## INTERNATIONAL APPLICATION PUBLISHED UNDER THE PATENT COOPERATION TREATY (PCT)

<p>(51) International Patent Classification<sup>6</sup> : <b>A61M 15/08</b></p>	<p><b>A1</b></p>	<p>(11) International Publication Number: <b>WO 99/58181</b></p> <p>(43) International Publication Date: 18 November 1999 (18.11.99)</p>
<p>(21) International Application Number: PCT/US99/10308</p> <p>(22) International Filing Date: 11 May 1999 (11.05.99)</p> <p>(30) Priority Data: 09/079,116 14 May 1998 (14.05.98) US</p> <p>(71)(72) Applicant and Inventor: GOLDSTEIN, Joseph [US/US]; Suite M, 1515 Palisades Drive, Pacific Palisades, CA 90272 (US).</p> <p>(74) Agents: GALLENSON, Mavis, S. et al.; Ladas &amp; Parry, Suite 2100, 5670 Wilshire Boulevard, Los Angeles, CA 90036-5679 (US).</p>		<p>(81) Designated States: AU, CA, JP, European patent (AT, BE, CH, CY, DE, DK, ES, FI, FR, GB, GR, IE, IT, LU, MC, NL, PT, SE).</p> <p><b>Published</b> <i>With international search report.</i></p>

(54) Title: NASAL AIR DELIVERY APPARATUS

(57) Abstract

The apparatus is configured to deliver breathable air under continuous positive air pressure to a person who requires such treatment. The apparatus includes a dentally stabilized platform (44), a nose mask (12), nose piece or nasal tubes (122, 144) resiliently mounted on the platform and urged toward nasal engagement, and rhinal seal. In the case of configurations including nose masks (160) and nose pieces, the force applied from the dentally stabilized platform (44) is through a resilient connection (46). Various nose masks, nose pieces, and nostril engaging air tubes carrying nasal pads (144) are disclosed. In each case, the resilient mounting on the dentally stabilized platform (44) provides the necessary air seal. Air which is enhanced by medication or added oxygen may be supplied by the apparatus.



**FOR THE PURPOSES OF INFORMATION ONLY**

Codes used to identify States party to the PCT on the front pages of pamphlets publishing international applications under the PCT.

AL	Albania	ES	Spain	LS	Lesotho	SI	Slovenia
AM	Armenia	FI	Finland	LT	Lithuania	SK	Slovakia
AT	Austria	FR	France	LU	Luxembourg	SN	Senegal
AU	Australia	GA	Gabon	LV	Latvia	SZ	Swaziland
AZ	Azerbaijan	GB	United Kingdom	MC	Monaco	TD	Chad
BA	Bosnia and Herzegovina	GE	Georgia	MD	Republic of Moldova	TG	Togo
BB	Barbados	GH	Ghana	MG	Madagascar	TJ	Tajikistan
BE	Belgium	GN	Guinea	MK	The former Yugoslav Republic of Macedonia	TM	Turkmenistan
BF	Burkina Faso	GR	Greece			TR	Turkey
BG	Bulgaria	HU	Hungary	ML	Mali	TT	Trinidad and Tobago
BJ	Benin	IE	Ireland	MN	Mongolia	UA	Ukraine
BR	Brazil	IL	Israel	MR	Mauritania	UG	Uganda
BY	Belarus	IS	Iceland	MW	Malawi	US	United States of America
CA	Canada	IT	Italy	MX	Mexico	UZ	Uzbekistan
CF	Central African Republic	JP	Japan	NE	Niger	VN	Viet Nam
CG	Congo	KE	Kenya	NL	Netherlands	YU	Yugoslavia
CH	Switzerland	KG	Kyrgyzstan	NO	Norway	ZW	Zimbabwe
CI	Côte d'Ivoire	KP	Democratic People's Republic of Korea	NZ	New Zealand		
CM	Cameroon			PL	Poland		
CN	China	KR	Republic of Korea	PT	Portugal		
CU	Cuba	KZ	Kazakstan	RO	Romania		
CZ	Czech Republic	LC	Saint Lucia	RU	Russian Federation		
DE	Germany	LI	Liechtenstein	SD	Sudan		
DK	Denmark	LK	Sri Lanka	SE	Sweden		
EE	Estonia	LR	Liberia	SG	Singapore		

NASAL AIR DELIVERY APPARATUSCROSS REFERENCE

5 This application is a continuation-in-part of my earlier patent application Serial No. 08/749,228, filed November 14, 1996 entitled "Nasal And Oral Air Passageway Delivery Management Apparatus", now Patent No. 5,752,510.

FIELD OF THE INVENTION

10 The present invention is directed to apparatus for directing breathable air to the nasal passages of the patient, particularly while he is sleeping, to alleviate a variety of breathing disorders.

BACKGROUND OF THE INVENTION

15 In the past, a variety of obstructive sleep disorders or conditions, such as sleep apnea, snoring or the like have been endured by persons. These are generally conditions in which the person's airways, either nasal or oral, become blocked or  
20 restricted during sleep. A restricted air supply impairs the flow of oxygen to the person's lungs which, in turn, cuts off the supply of oxygen to the brain. Prior attempts have been made to provide apparatus for alleviating a patient's suffering from such breathing disorders. Modern respiratory therapy provides  
25 continuous positive air pressure to the patient so that the positive air pressure acts to keep the airways open. By providing

a consistent flow of breathable air at positive pressure to the nasal passages, the adverse affects of sleep apnea and other breathing disorders are often reduced.

5 Maintaining the apparatus with respect to the user's head is difficult, especially because of the positive pressure aspect. The position of the apparatus must be properly maintained so that the breathable air supply can be reliably delivered to the user's nose. Some apparatus employs an arrangement of straps which engage around the head of the user. Such straps are uncomfortable for  
10 sleeping, and are particularly difficult when they are sufficiently tight to hold the apparatus in proper nasal proximity. Most prior devices do not provide a stabilizing or mounting system for adequately supporting the apparatus about the facial area of the user. In addition to support, it is necessary to deliver the  
15 stream of breathable air to the nose or adjacent the nostrils. Therefore there is a need to provide an apparatus which can be positioned adjacent the user's nose and sealed with respect to his nose or nostrils so that the supply of breathable air is properly directed and in a reliable relationship with respect to the nose or  
20 nasal passages.

#### SUMMARY OF THE INVENTION

25 In order to aid in the understanding of this invention it can be said in essentially summary form that it is directed to a nasal air delivery apparatus which is supported by a dentally

stabilized platform. An air supply is mounted on the platform and is preferably resiliently urged toward the nose or nasal passages. A nose mask engaging on the face around the nose, a nose piece more closely engaging around the nose or nostril air delivery tubes are contemplated as being supported by the platform.

It is thus a purpose and advantage of this invention to provide a nasal air delivery apparatus which relies upon a dentally stabilized platform and is resiliently urged toward the nose or nasal passages to reliably provide breathable air to the passages, even while the user is sleeping.

It is another purpose and advantage of this invention to provide a nasal air delivery apparatus which relies on a dentally stabilized platform so that it is comfortable and efficient in retaining the nose mask, nose piece or nasal tubes in proper position without the use of straps, head bands or the like.

The features of the present invention which are believed to be novel are set forth with particularity in the appended claims. The present invention, both as to its organization and manner of operation, together with further objects and advantages thereof, may be best understood by reference to the following description, taken in conjunction with the accompanying drawings.

#### BRIEF DESCRIPTION OF THE DRAWINGS

FIGURE 1 is a side elevational view of the first preferred embodiment of the air delivery apparatus in accordance with this invention, with parts broken away and parts taken in

section.

FIGURE 2 is a section of the apparatus as seen generally along line 2-2 of FIGURE 1.

FIGURE 3 is an isometric view thereof.

5           FIGURE 4 is a side elevational view of a second preferred embodiment of the nasal air delivery apparatus according to this invention.

FIGURE 5 is a section taken generally along line 5-5 of FIGURE 4.

10           FIGURE 6 is an isometric view of the apparatus of FIGURE 4.

FIGURE 7 is an isometric view of a liner which can be optionally used within the nose piece shown in FIGURES 4, 5 and 6.

15           FIGURE 8 is a view similar to FIGURE 5, showing the appearance of that section when the liner of FIGURE 7 is in place.

FIGURE 9 is a perspective view of a third preferred embodiment of the nasal air delivery apparatus in accordance with this invention.

FIGURE 10 is an isometric view thereof.

20           FIGURE 11 is a substantially centerline section therethrough with parts broken away and parts taken in section.

FIGURE 12 is a view similar to FIGURE 10, showing the fourth preferred embodiment of the nasal air delivery apparatus in accordance with this invention.

25           FIGURE 13 is a perspective view of a dentally stabilized platform in accordance with this invention with collars thereon for

detachably retaining air supply tubes for delivery of air to a nose mask, a nose piece or to nasal tubes.

FIGURE 14 is a perspective view of a sixth preferred embodiment of the nasal air delivery apparatus in accordance with this invention, showing separate nasal tubes supported on a dentally stabilized platform.

FIGURE 15 is an enlarged view thereof.

FIGURE 16 is a further enlarged detail taken on line 16-16 in FIGURE 15 through one of the nasal tubes with its nasal pad in place.

FIGURE 17 is a view similar to FIGURE 15, showing a seventh preferred embodiment of the apparatus, wherein the nasal tubes are urged apart.

FIGURE 18 is another embodiment of the apparatus, similar to FIGURE 17.

FIGURE 19 is a ninth embodiment of the nasal air delivery apparatus of this invention, showing a dentally stabilized platform and a nose piece resiliently urged to seal across the nose, with the resilient presser member shown in the retracted position.

FIGURE 20 is substantially a center line section of the structure of FIGURE 19, but showing the presser member in active position.

FIGURE 21 is an embodiment of the nasal air delivery apparatus of this invention wherein a nose piece is supported on two flexible air delivery tubes and stressed into position.

FIGURE 22 is a side elevational view of the nasal air delivery apparatus wherein two nasal tubes are mounted on a dentally stabilized platform.

FIGURE 23 is another nasal air delivery apparatus wherein  
5 the two nasal tubes are pivotally mounted on the dentally stabilized platform.

FIGURE 24 is a front view, with parts broken away and parts taken in section of the nasal air delivery apparatus wherein the two nasal tubes are resiliently mounted on the dentally  
10 stabilized platform.

#### DESCRIPTION OF THE PREFERRED EMBODIMENTS

15 The first preferred embodiment of the nasal air delivery apparatus of this invention is generally indicated at 10 in FIGURES 1, 2 and 3. The apparatus comprises a nose mask 12 which is configured to be larger than the user's nose so as to enclose the nose without touching. The edge 14 of the nose mask is continuous  
20 around the nose so that it can engage on the soft tissues of the face around the nose. The nose mask thus defines cavity 16 around the nose, including around the nostrils. Thus, the nose mask 12 is not a tight fit against the nose, but is sealed at its edges against the face around the nose. The nose mask is preferably made  
25 of a fairly stiff but flexible synthetic polymer composition material. It is preferably sufficiently soft so that it can



properly seal around the nose on persons of different facial configurations. The edge includes bottom edge 18 which seals against the person's face below his nose and above his upper lip.

Inlet tube 20 is formed as part of the nose mask. Flexible tube 22 can be attached to the inlet tube 20. The flexible tube comes from an air supply device which supplies breathable air as required. This air supply may be a constant supply of breathable air or may be a pulsed supply. Furthermore, the nasal air delivery apparatus 10 may be used for inhalation therapy in which the supply of air may include enhanced oxygen levels or may include medication. As indicated in FIGURES 1 and 3, the flexible tube which supplies the air is preferably led over the top of the head of the user.

In order to retain the nose mask 12 in place, dental anchor 24 is employed. The dental anchor 24 is sized to be engaged between the teeth in the mouth. It preferably has channels 26 and 28 into which the teeth are engaged. The dental anchor may be retained in place simply by jaw strength, with the jaws clamped thereon. On the other hand, the dental anchor can be individually configured to fit the teeth of the user so that the dental anchor actually grips the teeth and jaw strength is thus not required. Platform 30 is attached to dental anchor 24. Platform 30 is preferably thin so that it extends out between the user's lips without significant lip distortion. Platform 30 is thus a dentally stabilized platform. Connector 32 is a resilient connector. In the preferred embodiment shown in FIGURE 1, connector 32 is a

flexible polymer tube which may have a resilient wire therein so that it can be configured to a neutral position and can be stressed to deflect from the neutral position and provide returning force which urges the nose mask mounted thereon toward the neutral  
5 position. Connector 32 does not provide the air connection but provides the resilient force of the nose mask against the soft tissue surrounding the nose.

The nasal air delivery apparatus 34 shown in FIGURES 4 and 6 is a second preferred embodiment. In this embodiment, nose  
10 piece 36 is configured to closely fit the nose, particularly see FIGURE 5. The nose piece 36 may not exactly fit the nose, as indicated in FIGURE 5, but it has a sealing edge 38 which engages the facial tissue closely around the nose. The sealing edge includes a bottom edge which engages the face beneath the nose and  
15 above the upper lip. The nose piece 36 is held in place over the nose in a similar manner. A dental anchor 42 is engaged by the teeth to provide a secure attachment point. Platform 44 is secured to the dental anchor and serves as a dentally stabilized platform. It is maintained in position either by jaw strength or by gripping  
20 the teeth, depending upon configuration. Platform 44 carries resilient tube 46 thereon. Tube 46 is attached to the bottom of the nose piece and there is an opening 48 in the nose piece to permit communication from the tube to the nose piece. The air supply is upward through supply tube 50. The air supply has the  
25 same options as previously described with respect to the air supply tube 22. Resilient tube 46 may be made of flexible polymer

composition material and is made in such a manner that it can be configured to a desired position and then resiliently displaced therefrom. For example, nose piece 36 is positioned with respect to the platform 44 so that it forcefully engages against the nose and surrounding tissues of the user. The resiliency of the tube 46 provides the stress when the nose piece is in nose engaging position. The elastic character of the resilient tube may rely upon an embedded metallic or non-metallic spring or it may rely upon the structure of the tube 46 itself.

In order to improve the universality of the fit of the nose piece 36 upon the user's nose, a liner 52 may be employed within the nose piece. As seen in FIGURE 7, the liner has an open bottom to avoid closing the air passage at the opening 48 below the nostrils. However, the liner is soft such as low-density synthetic polymer foam so that it can readily accommodate to the nasal shape. In this configuration, the nose piece engages along the bridge and the sides of the nose, as well as below the nose against the upper lip. In this way, the dentally stabilized platform 44 serves as a location from which the nose piece can be supported and resiliently urged against the nose for sealing therearound.

The nasal air delivery apparatus 54 shown in FIGURES 9, 10 and 11 also has a dental anchor in the mouth, not shown, but the same as the previously disclosed dental anchors. Platform 56 is attached to the dental anchor and becomes a dentally stabilized platform. Air supply tube 58 passes through an opening in the platform. Nose mask 60 is mounted on the top of the air supply

tube. The nose mask has a sealing edge 62 which is configured to seal around the nose of the user and across the face below the nose and above the upper lip. The nose mask is made of somewhat flexible material, such as a resilient synthetic polymer composition material and is sufficiently flexible to be able to properly seal over a broad range of different facial configurations. Opening 64 in the bottom of the nose mask permits the flow of breathable air, and/or oxygenated or medicated air into the mask for the user. The air supply tube 58 is fairly flexible and in order to maintain the nose mask in sealing engagement around the nose, spring 66 is mounted on the dentally stabilized platform and resiliently engages against the front of the nose mask, urging the nose mask into proper sealing engagement.

FIGURE 12 is a perspective view of a nasal air delivery apparatus 68 which is very similar to the apparatus 54. It has the same dental anchor and dentally stabilized platform. In this embodiment two air supply tubes 70 and 72 pass through openings in the dentally stabilized platform 74. The tubes extend above the platform and separately enter the bottom wall of nose mask 76. Spring 78 urges the nose mask, on its flexible air supply tubes 70 and 72 toward engagement with the user to seal around his nose. Resiliently urging the nose mask with respect to the dentally stabilized platform assures proper seal.

FIGURE 13 illustrates dental anchor 80 which can be clamped in the jaws of the user. It may be a fitted dental anchor or one which provides an approximate fit. Instead of a flat plate

extending out of the front of the dental anchor, two support pins 82 and 84 are secured to the dental anchor and extend out between the user's lips when the dental anchor is in position. First and second collars 86 and 88 are mounted on the support pins. These  
5 collars receive and hold a pair of air supply tubes, like the air supply tubes 70 and 72. In such a case, the air supply tubes are resilient and are stressed to press the nose mask mounted on the top of the air supply tubes, like nose mask 76, into sealing engagement with the user around his nose. On the other hand, the  
10 air supply tubes grasped by the collars 86 and 88 may be utilized directly as breathable air supply to nose pillows, as shown in FIGURE 14.

FIGURES 14 and 15 show a nasal air delivery apparatus 90. It employs a dental anchor 92 from which extends dentally  
15 stabilized platform 94. Platform 94 has two notches 96 and 98 therein which receive the air supply tubes 100 and 102. The air supply tubes receive air from a supply source 104 which supplies the proper breathable air at positive pressure. As discussed  
20 above, the air supply may be constant or pulsed and it may be employed for inhalation therapy such as by enrichment with oxygen and/or incorporation of medication. The air supply tubes are flexible above the dentally stabilized platform 94. They are flexible so that they can be moved with respect to each other for proper nostril engagement. The upper portions of the air supply  
25 tubes are cylindrical tubes and each respectively carries its own nasal pad 106 and 108. The nasal pads are replaceable and

resiliently engage over the upper end of the air supply tubes. The nasal pads have openings therein which directed upward and slightly toward the nasal septum. Opening 110 is seen in nasal pad 106. The tubes 100 and 102 can be placed at different lengthwise positions with respect to the platform 94 and, in that the way, the engagement distance into the nasal passageway is adjusted. It can be seen how these air supply tubes can be grasped in the same way in the collars 86 and 88 of the structure of FIGURE 13.

The dentally stabilized platform 112 shown in FIGURE 17 is also mounted in a dental anchor, shown in dashed lines. Platform 12 has notches 114 and 116 therein. These notches are configured the same way as the notches 96 and 98 so that first and second air tubes 118 and 120 can be embraced therein, similarly to the structure in FIGURE 15. Spreader 122 is attached to the upper surface of the platform 112 and engages the adjacent sides of the tubes 118 and 120 above the platform. This causes the air supply tubes to divert away from each other in their flexible sections to cause the cylindrical tubular upper outlet portions of the tubes to be stressed away from each other, as seen in FIGURE 17. Nasal pads 124 and 126 are engaged on the upper outlet ends of the air tubes. When inserted into the nostrils, the separating force upon the air tubes causes the nasal pads to push outward, away from the nasal septum. In some cases this causes an opening of the nasal air passages to aid in breathing.

The nasal air delivery apparatus 128 shown in FIGURE 18 is similar to that shown in FIGURE 17. Dental anchor 130, shown in

dashed lines, supports dentally stabilized platform 132. The front edge of the platform 132 has a downwardly directed skirt 134 on which is mounted a pair of clamp jaws 136 which clamp around the air supply tubes 138 and 140. The clamp jaws permit adjustment of the air tubes along their length, within the clamp. Extending from the platform 132 is spreader 142. The spreader 142 lies between the air supply tubes to spread them apart around the spreader 142. This causes the cylindrical upper portions of the air tubes to be laterally divergent. However, the corrugated resilient flexible portion of the air tubes, below the cylindrical upper portions thereof, extend above the spreader so that flexure above the spreader is possible. The cylindrical upper ends of the air tubes are capped with nasal pads 144 and 146, which have air passage openings therethrough, as previously described. The resilient separation of the air tubes at the nasal pads provides a spreading effect when the nasal pads are inserted into the nostrils so that the nasal pads are urged away from the nasal septum, to aid in breathing.

The nasal air delivery apparatus 148 illustrated in FIGURES 19 and 20 comprises a dental anchor, not shown, on which is mounted dentally stabilized platform 150. The platform 150 has a clearance opening 152 therein through which the two air tubes 154 and 156 pass. Nose piece 158 is a soft nose piece which fits around the nostrils and seals around the nose and upper lip close to the nostrils. Air tubes 154 and 156 pass up into nose piece 158 and are in general alignment with the nostrils. Nose piece 158 is

made of soft material, such as polymer foam, so that it can readily seal around the nostrils. Cup 160 is of substantially rigid material and is sized to engage around the nose piece 158, see FIGURE 20. Cup 160 is pivoted on dentally stabilized plate 150 on  
5 pivot pin 162. Spring 164 engages both the plate 150 and the cup and urges the cup in a clockwise direction, as indicated by the arrows in FIGURES 19 and 20. The cup is configured to engage over the nose piece and press it against the nose including upward around the nostrils. In this way, a substantial seal is achieved.  
10 The force of the nose piece 158 against the nose is achieved by the spring-loaded cup 160 which acts against the dentally stabilized plate 150.

Nasal air delivery apparatus 166 shown in FIGURE 21 has a dentally stabilized plate 168 extending from the mouth of the  
15 user. The plate 168 has two air supply tubes 170 and 172 mounted in the plate. Crossbar 174 carries two telescoping air tubes 176 and 178 thereon. There are compression springs 180 and 182 on air tubes 176 and 178, respectively. These springs urge the crossbar upward with respect to the dentally stabilized plate 168. Nose  
20 piece 184 is shaped the same as nose piece 158 which is seen in FIGURES 19 and 20. The nose piece 184 is thrust upwardly against the nose with respect to the dentally stabilized plate to achieve a proper seal.

The nasal air delivery apparatus 186 shown in FIGURE 22  
25 is similar to the apparatus shown in FIGURE 21. There is a dentally stabilized plate 188 which carries first and second air



tubes 190 and 192. The cross piece 194 carries the telescoping air tubes and compression springs which thrust the cross piece 194 upward with respect to the dentally stabilized plate. The top outlet ends at these telescoping air tubes carry first and second nasal pads, with the near nasal pad 196 being seen in FIGURE 22 and obscuring the other nasal pad immediately beyond it. The springs thrust these nasal pads up into the nostrils to achieve proper seal. The nasal pad outlets are turned to be directed posteriorly and toward the nasal septum.

FIGURE 23 illustrates a portion of a nasal air delivery system which is generally indicated at 198. It has a dentally stabilized platform 200 on which is mounted a pair of bosses. The bosses 202 and 204 are shown in FIGURE 23. The tubes 206 and 208 are positioned between the bosses and are pivotally mounted thereon on pivot pin 210. These air tubes are the same as the air tubes 170 and 172 or are the same as the air tubes 190 and 192 because they receive a pair of telescoping air tubes which are spring-urged upwardly and carry the nasal pads or the nose piece thereon. Thus, the structure of FIGURE 23 is a means for pivotally mounting the air tubes on the dentally stabilized plate and are suitable for different means for direct sealing of telescoping air tubes with respect to the nasal configuration.

The nasal air delivery apparatus 212 shown in FIGURE 24 has a dentally stabilized platform 214 through which extend and to which are fixed air tubes 216 and 218. Flexible tubes from the breathable air supply are attached to the bottom of these air

tubes. The top of these air tubes extend above the dentally stabilized plate and telescoping tubes 220 and 222 slide thereover. Cross piece 224 joins these tubes so that they move together. Springs interengaged in the telescoping structure thrust the cross  
5 piece upward with respect to the platform 214. Nasal tubes 216 and 218 are mounted on the top of the cross piece and are in air communication through the cross piece with the telescoping tubes therebelow. The nasal tubes are topped with nasal pads 230 and 232 respectively for engagement in the nasal passages. The nasal tubes  
10 226 and 228 may be directed at an appropriate angle to properly insert the nasal pads and help to spread the nasal passages.

This invention has been described in its presently contemplated best modes and embodiments and it is clear that it is susceptible to numerous modifications, modes and embodiments within  
15 the ability of those skilled in the art and without the exercise of the inventive faculty. Accordingly, the scope of this invention is defined by the scope of the following claims.

20

WHAT IS CLAIMED IS:

1                   1.    A nasal air delivery apparatus comprising:  
2                                means for dental engagement by the patient  
3 being treated, a dentally stabilized platform attached to said  
4 means for dental engagement, said dentally stabilized platform  
5 being for extending outward from the patient's lips when said means  
6 is dentally engaged by the patient;  
7                                means for delivering breathable air to the nose  
8 of the patient, said means for delivering breathable air including  
9 means for rhinal sealing so that substantially all of the  
10 breathable air delivered by said means for delivering breathable  
11 air is delivered to the nasal passages of the patient; and  
12                                resilient means connected to said dentally  
13 stabilized platform and to said means for delivering breathable air  
14 to apply force to said means for delivering breathable air to cause  
15 substantial rhinal sealing.

1                   2.    The nasal air delivery apparatus of Claim 1  
2 wherein said means for delivering breathable air is a nose mask  
3 which seals against the face around the nose.

1                   3.    The nasal air delivery apparatus of Claim 1  
2 wherein said means for delivering breathable air includes an air  
3 delivery tube connected to said nose mask to deliver breathable air  
4 to said nose mask.

1                   4.    The nasal air delivery apparatus of Claim 3  
2 wherein said air delivery tube is connected to said nose mask in a  
3 position so that said air delivery tube can be led over the  
4 patient's head when the nasal air delivery apparatus is in use.

1                   5.    The nasal air delivery apparatus of Claim 3  
2 wherein said air delivery tube is attached to said dentally  
3 stabilized platform.

1                   6.    The nasal air delivery apparatus of Claim 1  
2 wherein said means for delivering breathable air includes a nose  
3 mask mounted on said dentally stabilized platform by means of a  
4 resilient tube.

1                   7.    The nasal air delivery apparatus of Claim 6  
2 wherein said resilient tube urges said nose mask into rhinal  
3 sealing.

1                   8.    The nasal air delivery apparatus of Claim 1  
2 wherein said means for rhinal sealing comprises a nose piece which  
3 fits closely around the nose.

1           9. The nasal air delivery apparatus of Claim 8  
2 wherein an air tube for supplying breathable air is connected to  
3 said nose piece adjacent the patient's nostrils when the apparatus  
4 is use.

1           10. The nasal air delivery apparatus of Claim 9  
2 wherein said air tube is attached to said dentally stabilized  
3 platform and to said means for rhinal sealing so that air is  
4 supplied through said resilient attachment.

1           11. The nasal air delivery apparatus of Claim 10  
2 further including a liner within said nose piece for ensuring  
3 sealing of said nose piece with respect to the patient's nose.

1           12. The nasal air delivery apparatus of Claim 1  
2 wherein said means for delivering breathable air comprises first  
3 and second air tubes and first and second nasal pads respectively  
4 mounted on said air tubes, said air tubes being attached to said  
5 dentally stabilized platform to resiliently urge said nasal pads  
6 with respect to said dentally stabilized platform.

1                   13. A nasal air delivery apparatus comprising:  
2                   means for dental engagement by the patient to  
3 whom nasal air is to be delivered;  
4                   a dentally stabilized platform attached to said  
5 means for dental engagement and being positioned for extending out  
6 between the patient's lips when said means for dental engagement is  
7 dentally engaged by the patient;  
8                   a nose mask for sealing around the patient's  
9 nose;  
10                  an air tube connected to said nose mask to  
11 supply breathable air to said nose mask;  
12                  a spring connected to both said dentally  
13 stabilized platform and said nose mask for urging said nose mask  
14 into rhinal sealing when said dental engagement means is dentally  
15 engaged.

1                   14. The nasal air delivery apparatus of Claim 13  
2 wherein said nose mask engages around the nose and above the upper  
3 lip.

1                   15. The nasal air delivery apparatus of Claim 14  
2 wherein said spring connection between said dentally stabilized  
3 platform and said nose mask is a tubular spring.

1                   16. The nasal air delivery apparatus of Claim 15  
2 wherein said tubes are a spring is a synthetic polymer tubular  
3 spring.

1                   17. The nasal air delivery apparatus of Claim 13  
2 wherein said means for delivery of breathable air is an air tube  
3 and said air tube is connected to said nose mask away from said  
4 spring along the medial line of said nose mask so that said air  
5 tube can be positioned over the head of the patient.

1                   18. A nasal air delivery apparatus comprising:  
2                   means for dental engagement by the patient to  
3 which nasal air is to be delivered;  
4                   a dentally stabilized platform attached to said  
5 means for dental engagement and positioned to extend out of the  
6 patient's mouth between his lips when said means for dental  
7 engagement is dentally engaged;  
8                   a nose piece configured to closely fit around  
9 at least a portion of the patient's nose adjacent his nostrils to  
10 seal said nose piece against the nose, an air opening in said nose  
11 piece adjacent the patient's nostrils;  
12                   an air tube for delivering breathable air, said  
13 air tube being attached to said dentally stabilized platform and  
14 said air tube being attached to said nose piece at said openings in  
15 said nose piece to deliver breathable air adjacent the patient's  
16 nostrils; and  
17                   resilient means engaging both said dentally  
18 stabilized platform and said nose piece for urging said nose piece  
19 into rhinal sealing engagement.

1                   19. The nasal air delivery apparatus of Claim 18  
2 wherein said resilient means urging said nose piece into rhinal  
3 sealing is said air tube.



1                   20. The nasal air delivery apparatus of Claim 19  
2 wherein said air tube is a resilient corrugated air tube.

1                   21. The nasal air delivery apparatus of Claim 20  
2 wherein there is a resilient polymer foam cushion within said nose  
3 piece to aid in sealing of said nose piece around the patient's  
4 nose.

1                   22. The nasal air delivery apparatus of Claim 18  
2 wherein there is a resilient polymer foam cushion within said nose  
3 piece to aid in sealing of said nose piece around the patient's  
4 nose.

1                   23. The nasal air delivery apparatus of Claim 18  
2 wherein said resilient means is a spring secured to said dentally  
3 stabilized platform, said spring being positioned to engage the  
4 exterior of said nose piece and urge said nose piece into sealing  
5 engagement with the patient's nose.

1                   24. A nasal air delivery apparatus comprising:  
2                   first and second air tubes, first and second  
3 nasal pads respectively positioned on said first and second air  
4 tubes, said first and second air tubes being configured for  
5 insertion into the patient's nostrils, means for supplying  
6 breathable air to said first and second air tubes;  
7                   means for dental engagement by the patient  
8 utilizing the nasal air delivery apparatus;  
9                   a dentally stabilized platform secured to said  
10 means for dental engagement, said dentally stabilized platform  
11 being configured to extend out between the lips of the patient when  
12 said means for dental engagement is engaged in the patient's mouth;  
13                   attachment means for attaching both said first  
14 and second air tubes to said dentally stabilized platform so that  
15 said air tubes and said nasal pads are held in nostril engaging  
16 position.

1                   25. The nasal air delivery apparatus of Claim 24  
2 wherein there are means on said platform for engaging said air  
3 tubes to urge said nasal pads into nostril engagement.

1                   26. The nasal air delivery apparatus of Claim 25  
2 wherein said means on said platform comprises a spreader for  
3 spreading said air tubes.

1                   27. The nasal air delivery apparatus of Claim 24  
2 wherein there are separate nostril tubes telescopically positioned  
3 with respect to said air tubes, said nostril tubes carrying said  
4 nasal pads and a spring between said nostril tubes and said air  
5 tubes to urge said nostril tubes away from said dentally stabilized  
6 platform toward nostril engagement.

1                   28. The nasal air delivery apparatus of Claim 27  
2 wherein said nostril tubes are secured together.

1                   29. A nasal air delivery apparatus comprising:  
2                   means for dental engagement by the patient  
3 utilizing the nasal air delivery apparatus, a dentally stabilized  
4 platform attached to said means for dental engagement, said  
5 platform being configured to extend out between the lips of the  
6 patient when said dental engagement means is dentally engaged;  
7                   a resilient nose piece configured to closely  
8 engage around the nose of the user especially around the nostrils,  
9 first and second air tubes connected to said nose piece to be in  
10 alignment with the patient's nostrils when said nose piece is in  
11 rhinal sealing engagement; and  
12                   resilient means engaging between said nose  
13 piece and said dentally stabilized platform to resiliently urge  
14 said nose piece into rhinal sealing engagement.

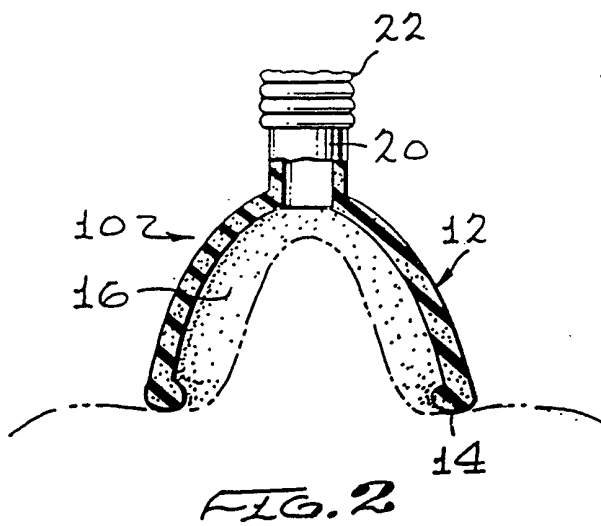
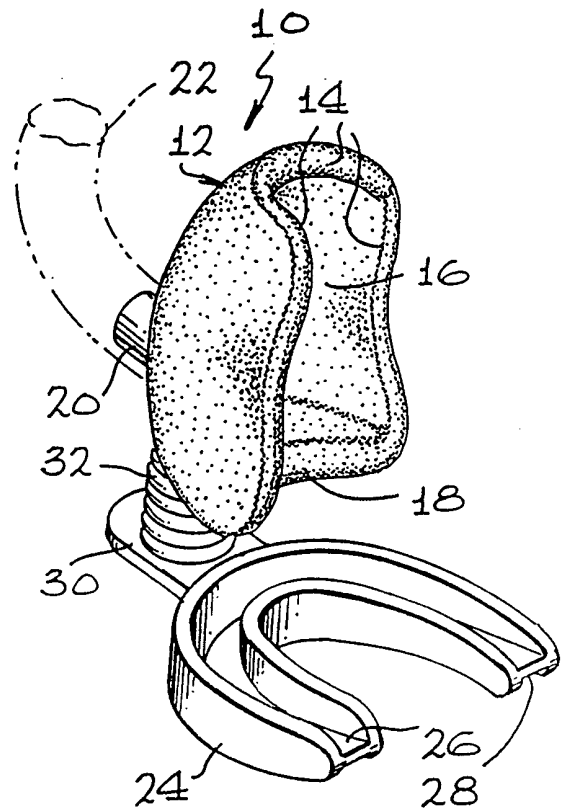
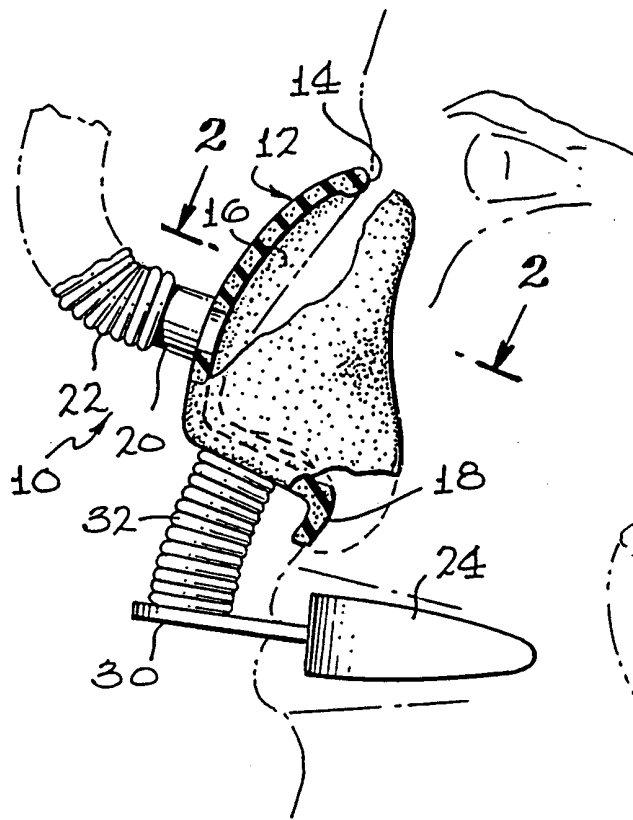
1                   30. The nasal air delivery apparatus of Claim 29  
2 wherein said resilient means is a cup configured to engage  
3 partially around said nose piece, said cup being resiliently  
4 mounted on said dentally stabilized platform.

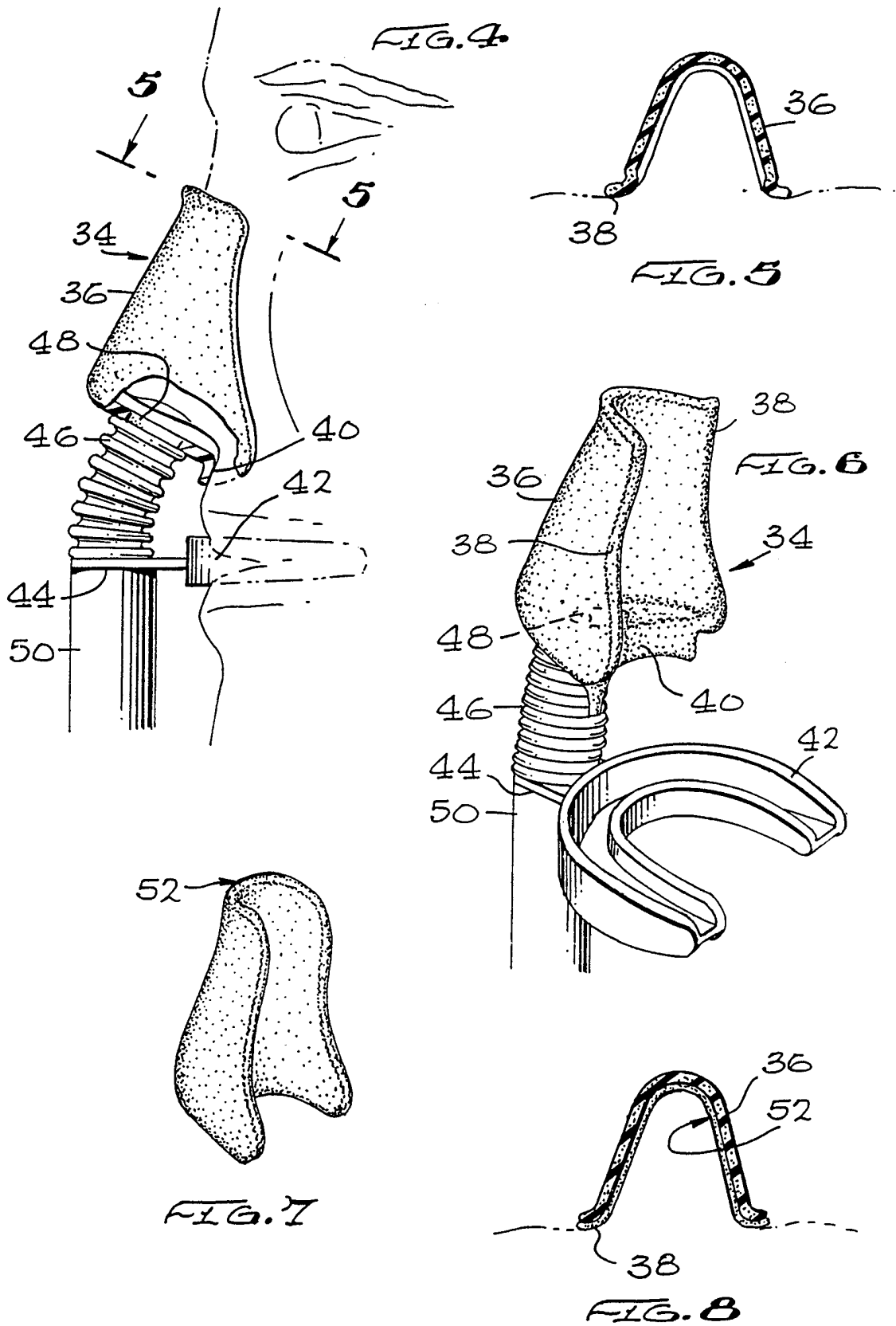
1                   31. The nasal air delivery apparatus of Claim 30  
2 wherein said cup is pivotally mounted on said platform and there is  
3 a spring interengaging between said cup and said platform to urge  
4 said cup into nose piece engagement to urge said nose piece into  
5 rhinal sealing engagement.

1                   32. The nasal air delivery apparatus of Claim 31  
2 wherein said air tubes are free from said dentally stabilized  
3 platform.

1                   33. The nasal air delivery apparatus of Claim 29  
2 wherein said nose piece is mounted on telescoping tubes, said air  
3 tubes being attached to said dentally stabilized platform and said  
4 telescoping tubes telescoping with respect thereto, and further  
5 including at least one spring urging said nose piece into rhinal  
6 sealing engagement.

1                   34. The nasal air delivery apparatus of Claim 33  
2 wherein said first and second telescoping tubes are attached  
3 together and there are first and second springs urging said nose  
4 piece into rhinal sealing engagement.





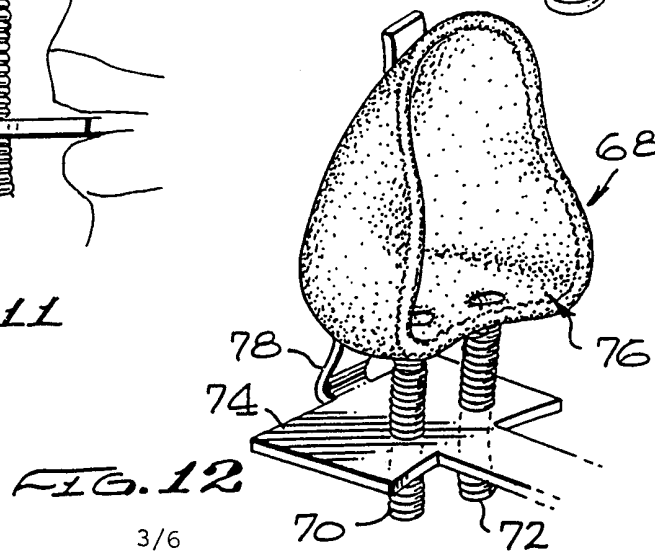
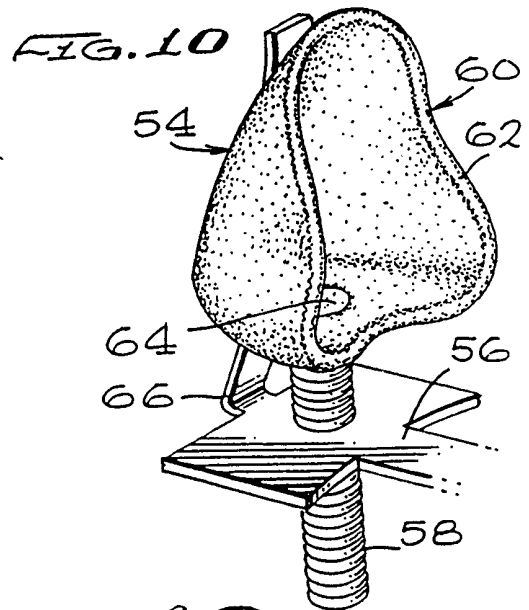
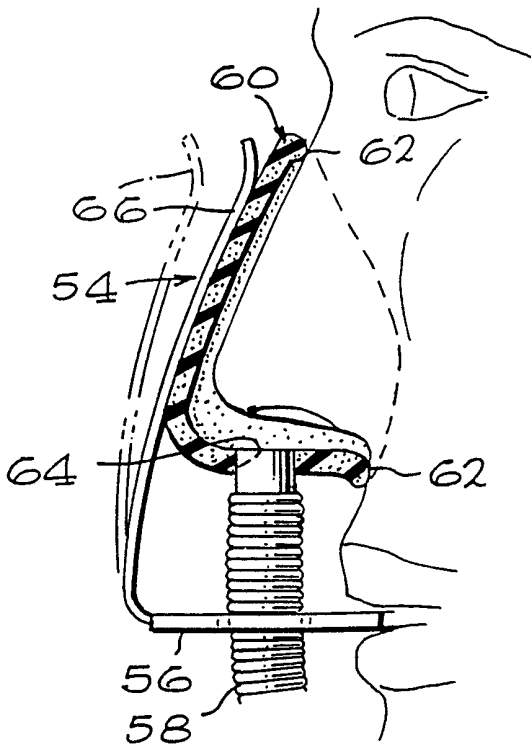
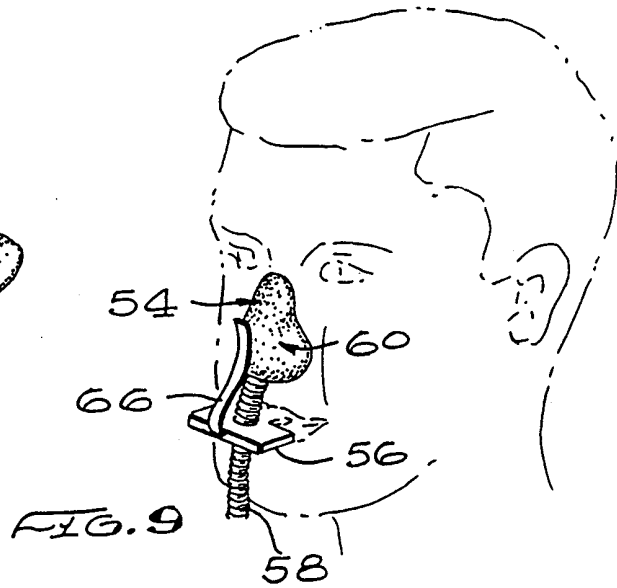
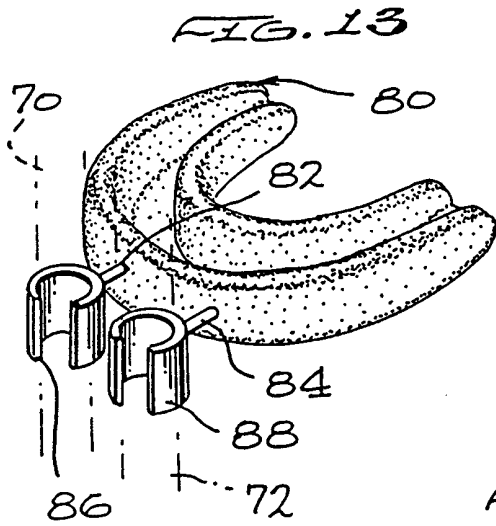


FIG. 14

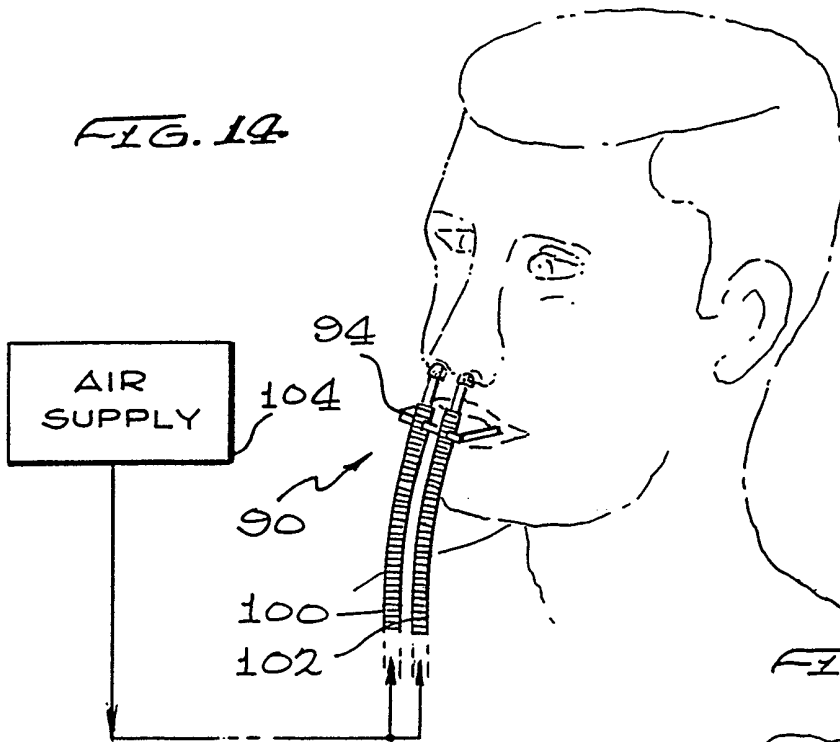


FIG. 16

FIG. 15

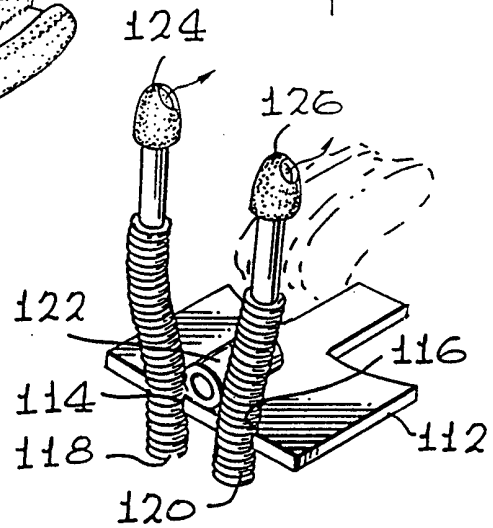
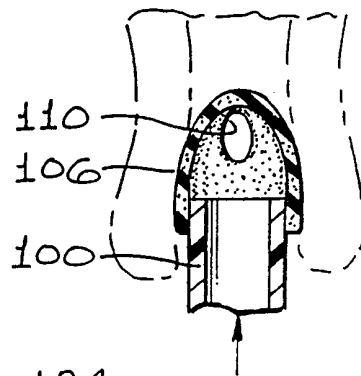
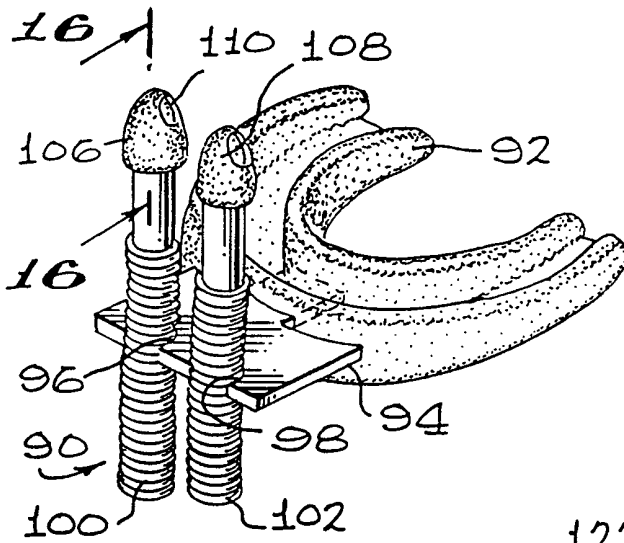


FIG. 17



FIG. 19

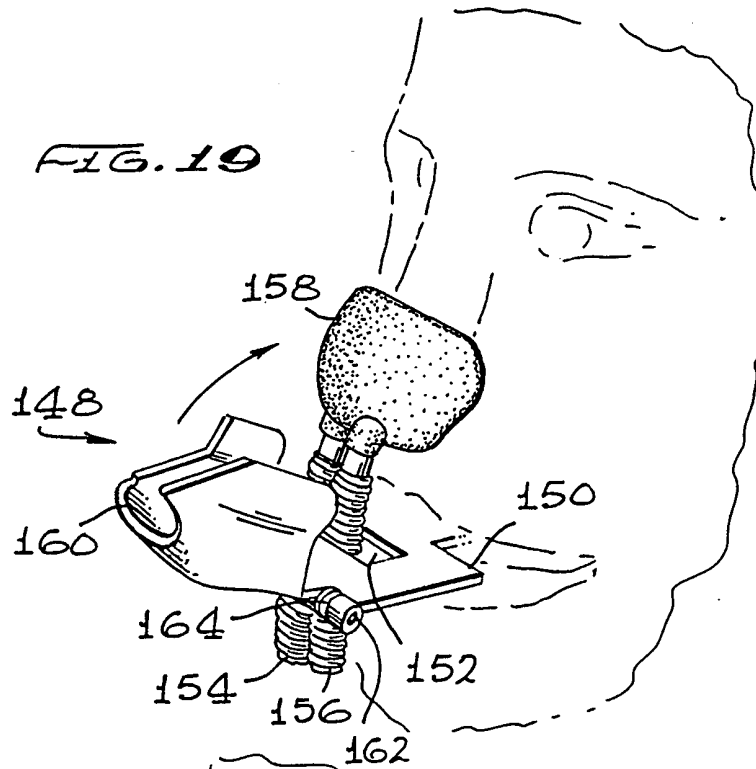


FIG. 20

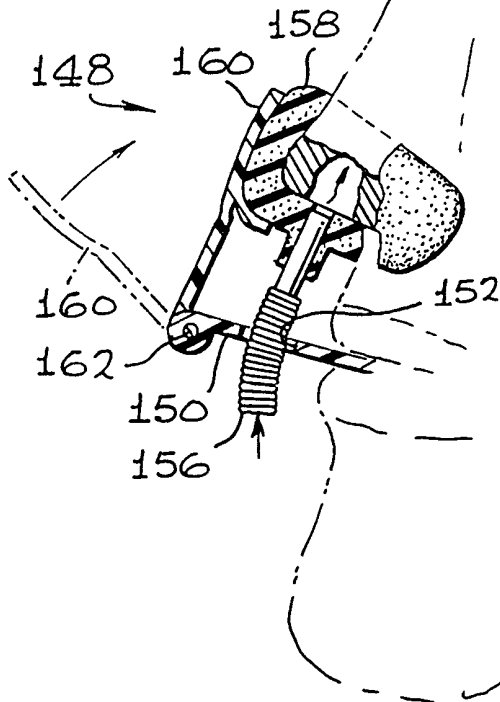


FIG. 18

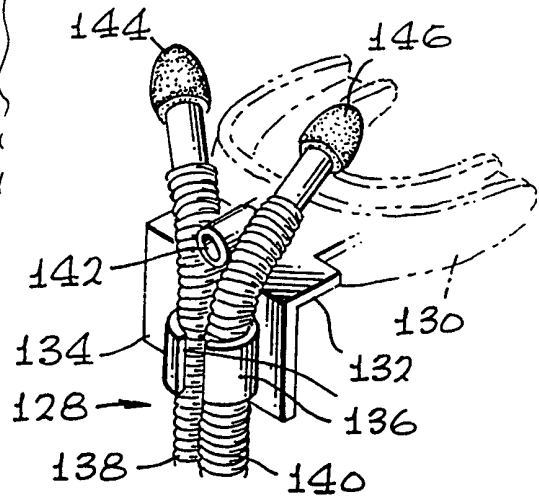


FIG. 21

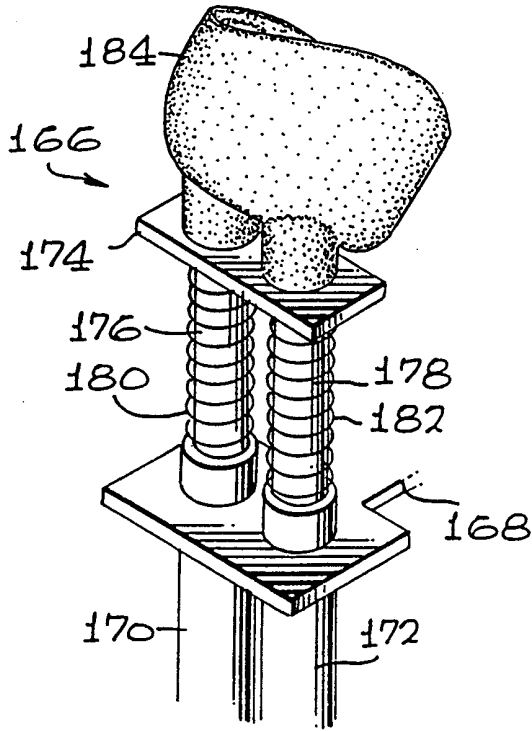


FIG. 22

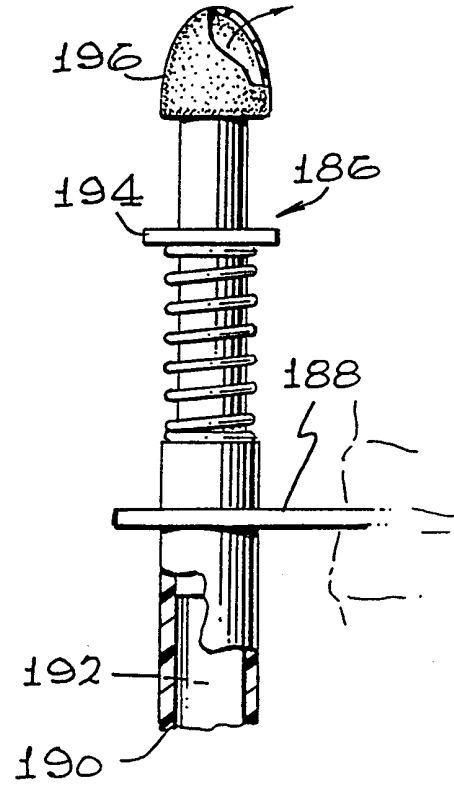


FIG. 23

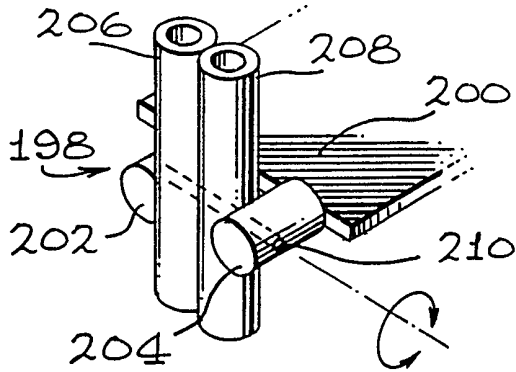
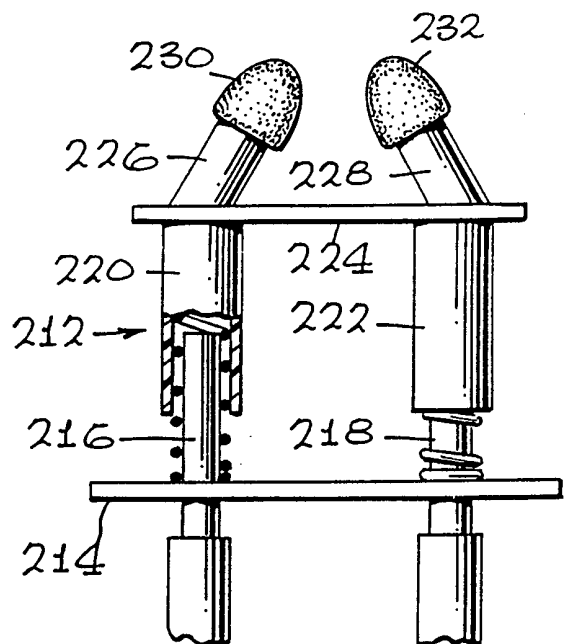


FIG. 24



# INTERNATIONAL SEARCH REPORT

International application No.  
PCT/US99/10308

## A. CLASSIFICATION OF SUBJECT MATTER

IPC(6) : A61M 15/08  
US CL : 128/207.18

According to International Patent Classification (IPC) or to both national classification and IPC

## B. FIELDS SEARCHED

Minimum documentation searched (classification system followed by classification symbols)

U.S. : 128/200.24, 204.18, 206.26, 207.14, 207.18

Documentation searched other than minimum documentation to the extent that such documents are included in the fields searched

Electronic data base consulted during the international search (name of data base and, where practicable, search terms used)

## C. DOCUMENTS CONSIDERED TO BE RELEVANT

Category*	Citation of document, with indication, where appropriate, of the relevant passages	Relevant to claim No.
Y	US 5,537,994 A (THORNTON) 23 July 1996, entire document.	1-34
Y	US 5,117,816 A (SHAPIRO et al.) 02 June 1992, entire document.	1-34
A	US 5,638,811 A (DAVID) 17 June 1997.	1-34

Further documents are listed in the continuation of Box C.

See patent family annex.

* Special categories of cited documents:	"T" later document published after the international filing date or priority date and not in conflict with the application but cited to understand the principle or theory underlying the invention
"A" document defining the general state of the art which is not considered to be of particular relevance	"X" document of particular relevance; the claimed invention cannot be considered novel or cannot be considered to involve an inventive step when the document is taken alone
"E" earlier document published on or after the international filing date	"Y" document of particular relevance; the claimed invention cannot be considered to involve an inventive step when the document is combined with one or more other such documents, such combination being obvious to a person skilled in the art
"L" document which may throw doubts on priority claim(s) or which is cited to establish the publication date of another citation or other special reason (as specified)	"&" document member of the same patent family
"O" document referring to an oral disclosure, use, exhibition or other means	
"P" document published prior to the international filing date but later than the priority date claimed	

Date of the actual completion of the international search

03 JULY 1999

Date of mailing of the international search report

22 JUL 1999

Name and mailing address of the ISA/US  
Commissioner of Patents and Trademarks  
Box PCT  
Washington, D.C. 20231

Facsimile No. (703) 305-3230

Authorized officer

CHARLES ANDERSON

Telephone No. (703) 305-3473