



US00D895138S

(12) **United States Design Patent**
Ohmura et al.

(10) **Patent No.:** **US D895,138 S**

(45) **Date of Patent:** **** *Sep. 1, 2020**

(54) **SAMPLE HOLDER FOR IONIZED SAMPLE ANALYSIS**

URL: https://www.hsn.com/products/lorac-hollywood-glamour-golden-eyes-mini-eye-shadow-pal/9207578.*

(Continued)

(71) Applicant: **HAMAMATSU PHOTONICS K.K.**,
Hamamatsu-shi, Shizuoka (JP)

Primary Examiner — Susan Bennett Hattan

Assistant Examiner — Omeed Agilee

(72) Inventors: **Takayuki Ohmura**, Hamamatsu (JP);
Masahiro Kotani, Hamamatsu (JP)

(74) *Attorney, Agent, or Firm* — Faegre Drinker Biddle & Reath LLP

(73) Assignee: **HAMAMATSU PHOTONICS K.K.**,
Hamamatsu-shi, Shizuoka (JP)

(57) **CLAIM**

(*) Notice: This patent is subject to a terminal disclaimer.

The ornamental design for a sample holder for ionized sample analysis, as shown and described.

(**) Term: **15 Years**

(21) Appl. No.: **29/656,966**

DESCRIPTION

(22) Filed: **Jul. 18, 2018**

(30) **Foreign Application Priority Data**

Jan. 19, 2018 (JP) 2018-000968

(51) **LOC (12) Cl.** **24-02**

(52) **U.S. Cl.**
USPC **D24/224; D24/225**

(58) **Field of Classification Search**
USPC D24/216, 223–227, 229–232; D9/537,
D9/545, 549, 756–760, 761; D3/203.1,
D3/203.2; D10/81; D28/8

(Continued)

(56) **References Cited**

U.S. PATENT DOCUMENTS

D218,514 S * 8/1970 Fossella D9/761
D218,819 S 9/1970 Rubin et al.

(Continued)

OTHER PUBLICATIONS

Lorac Hollywood Glamour Golden Eyes Mini Eye Shadow Palette.
Online, published date unknown. Retrieved on Oct. 27, 2019 from

FIG. 1 is a front view of a sample holder for ionized sample analysis including a main body and a separator of the present invention;

FIG. 2 is a rear view thereof;

FIG. 3 is a top plan view thereof;

FIG. 4 is a bottom plan view thereof;

FIG. 5 is a right side view thereof;

FIG. 6 is a left side view thereof;

FIG. 7 is a front perspective view thereof;

FIG. 8 is a rear perspective view thereof;

FIG. 9 is an enlarged view showing a portion of FIG. 7 defined by lines 9-9 and 9'-9';

FIG. 10 is an enlarged view showing a portion of FIG. 7 defined by lines 10-10 and 10'-10';

FIG. 11 is an enlarged view showing a portion of FIG. 7 defined by lines 11-11 and 11'-11';

FIG. 12 is a rear side elevation view of the main body, the separator is shown removed from the sample holder for ionized sample analysis to show details not otherwise discernible from the drawings;

FIG. 13 is a top plan view of the main body, the separator is shown removed from the sample holder for ionized sample analysis to show details not otherwise discernible from the drawings;

(Continued)

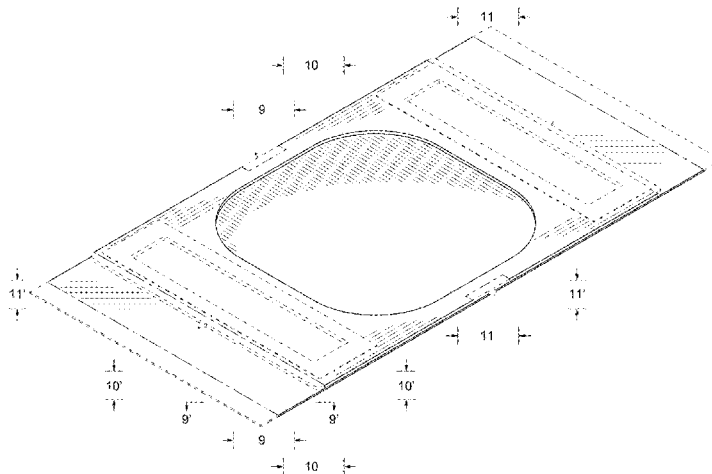


FIG. 14 is a rear side elevation view of the separator, the main body is shown removed from the sample holder for ionized sample analysis to show details not otherwise discernible from the drawings;

FIG. 15 is a top plan view of the separator, the main body is shown removed from the sample holder for ionized sample analysis to show details not otherwise discernible from the drawings;

FIG. 16 is an enlarged cross-sectional view along the line 16-16 in FIG. 1, in the area designated by 16'-16' in FIG. 1;

FIG. 17 is an enlarged cross-sectional view along the line 17-17 in FIG. 1, in the area designated by 17'-17' in FIG. 1;

FIG. 18 is an enlarged cross-sectional view along the line 18-18 in FIG. 1, in the area designated by 18'-18' in FIG. 1;

FIG. 19 is an enlarged cross-sectional view along the line 19-19 in FIG. 1, in the area designated by 19'-19' in FIG. 1; and,

FIG. 20 is an enlarged cross-sectional view along the line 20-20 in FIG. 1, in the area designated by 20'-20' in FIG. 1.

The features shown in evenly-dashed broken lines depict portions of the sample holder for ionized sample analysis that form no part of the claimed design. The dot-dash-dot broken lines depict the boundaries of the claim and form no part thereof. The dash-dot-dot-dash broken lines depict indicators for sectional views and enlarged views and depict boundaries in the enlarged sectional views and enlarged views, the dash-dot-dot-dash broken lines form no part of the claimed design.

1 Claim, 20 Drawing Sheets

(58) Field of Classification Search

CPC ... C12M 23/10; C12M 23/12; G01N 23/0033;
G01N 23/0041; G01N 23/20025
See application file for complete search history.

(56) References Cited

U.S. PATENT DOCUMENTS

D227,744	S	7/1973	Mitchko	
D239,548	S	4/1976	Schiff et al.	
D273,898	S	5/1984	Valencia	
D274,261	S	6/1984	Valencia	
D277,699	S	2/1985	Valencia	
D290,042	S	5/1987	Ford	
5,349,436	A	9/1994	Fisch	
D351,475	S	10/1994	Gerber	
5,425,451	A	6/1995	Blase	
D376,685	S	12/1996	Weller et al.	
D397,831	S *	9/1998	Stoecker	D28/78
D418,228	S *	12/1999	Fisch	D24/225
D420,745	S	2/2000	Cardy	
D431,300	S *	9/2000	Fisch	D24/225
D431,301	S *	9/2000	Fisch	D24/225
D473,318	S	4/2003	Barbera-Guillem	
D491,276	S	6/2004	Langille	
D500,142	S	12/2004	Crisanti et al.	
D503,274	S	3/2005	Roche et al.	
D510,883	S	10/2005	George	
D530,826	S	10/2006	Rich et al.	
D540,953	S	4/2007	Ramel et al.	
7,217,520	B2	5/2007	Tsinberg et al.	
D569,990	S	5/2008	Fisch	
7,409,698	B2	8/2008	Tjensvold et al.	
D596,753	S	7/2009	LaStella	
D596,758	S	7/2009	Constable	
D672,050	S	12/2012	Lee et al.	
D673,295	S	12/2012	Motadel	

D680,227	S *	4/2013	Berg	D24/223
D699,369	S *	2/2014	Fonseca	D24/224
D702,364	S *	4/2014	Iqbal	D24/225
D722,385	S	2/2015	Fonseca	
9,034,634	B2	5/2015	Miller	
D733,313	S *	6/2015	Kouge	D24/225
D733,912	S *	7/2015	Ito	D24/225
D734,482	S	7/2015	Peterman et al.	
D736,403	S	8/2015	Hudson et al.	
D758,608	S	6/2016	Behar et al.	
D767,163	S *	9/2016	Schimmel	D24/226
D786,448	S	5/2017	Ohsaka et al.	
D787,356	S	5/2017	Johnston	
D792,735	S	7/2017	Henry	
D800,184	S	10/2017	Suess et al.	
D800,336	S *	10/2017	Chang	D24/224
D806,890	S	1/2018	Williams et al.	
D806,892	S *	1/2018	Walden, II	D24/225
D812,767	S *	3/2018	Osmus	D24/225
D825,076	S	8/2018	Librach et al.	
D827,857	S *	9/2018	Buschtez	D24/225
D838,001	S	1/2019	Ito et al.	
D840,049	S *	2/2019	Schulz	D24/224
D841,183	S *	2/2019	Walden, II	D24/224
D843,013	S *	3/2019	Ito	D24/225
D854,184	S *	7/2019	Ito	D24/225
D855,203	S *	7/2019	Katsumata	D24/224
D855,206	S *	7/2019	Ito	D24/225
D855,207	S	7/2019	Ito et al.	
D855,208	S	7/2019	Ito et al.	
D855,209	S *	7/2019	Ito	D24/225
D855,210	S *	7/2019	Ito	D24/225
D867,612	S	11/2019	Ohmura et al.	
D867,613	S	11/2019	Ohmura et al.	
2005/0237607	A1	10/2005	Tenney	
2008/0056948	A1 *	3/2008	Dale	B01F 5/0647 422/68.1
2009/0253582	A1	10/2009	Pena et al.	
2012/0045792	A1	2/2012	Cohen et al.	
2012/0142026	A1	6/2012	Miller et al.	
2015/0118739	A1 *	4/2015	Kobayashi	B01L 3/5027 435/287.2
2015/0330776	A1	11/2015	Hayashi et al.	
2016/0175840	A1	6/2016	Ingber et al.	

OTHER PUBLICATIONS

Office Action dated Oct. 4, 2019 in Design U.S. Appl. No. 29/656,971.
Office Action dated Oct. 4, 2019 in Design U.S. Appl. No. 29/656,978.
Office Action dated Oct. 15, 2019 in Design U.S. Appl. No. 29/656,965.
Office Action dated Nov. 15, 2019 in Design U.S. Appl. No. 29/656,974.
Makeup Tool Kit 33 in 1 Make up Cosmetics Including Eyeshadow Blush Powder Lip gloss With Makeup Box Makeup Set for Gift. Online, published date unknown. Retrieved on Oct. 10, 2019 from URL: <https://kozeez.com/products/makup-tool-kit-33-in-1-make-up-cosmetics-including-eyeshadow-blush-powder-lip-gloss-with-makeup-box>.
"Custom 6 Color Highlighter Makeup Packaging Eyeshadow Palette Container With Mirror," Nov. 10, 2019.
Office Action dated Nov. 15, 2019 in Design U.S. Appl. No. 29/656,973.
Office Action dated Oct. 3, 2019 in Design U.S. Appl. No. 29/656,960.
Office Action dated Nov. 21, 2019 in U.S. Design Appl. No. 29/656,983.
Office Action dated Nov. 25, 2019 in Design U.S. Appl. No. 29/656,989.
Office Action dated Dec. 9, 2019 in U.S. Appl. No. 29/657,001.
Office Action dated Dec. 10, 2019 in U.S. Appl. No. 29/656,985.
Makeup palette. Online, published date unknown. Retrieved on Dec. 5, 2019 from URL: <https://www.wallpaperflare.com/search?wallpaper=makeup+palette>.

* cited by examiner

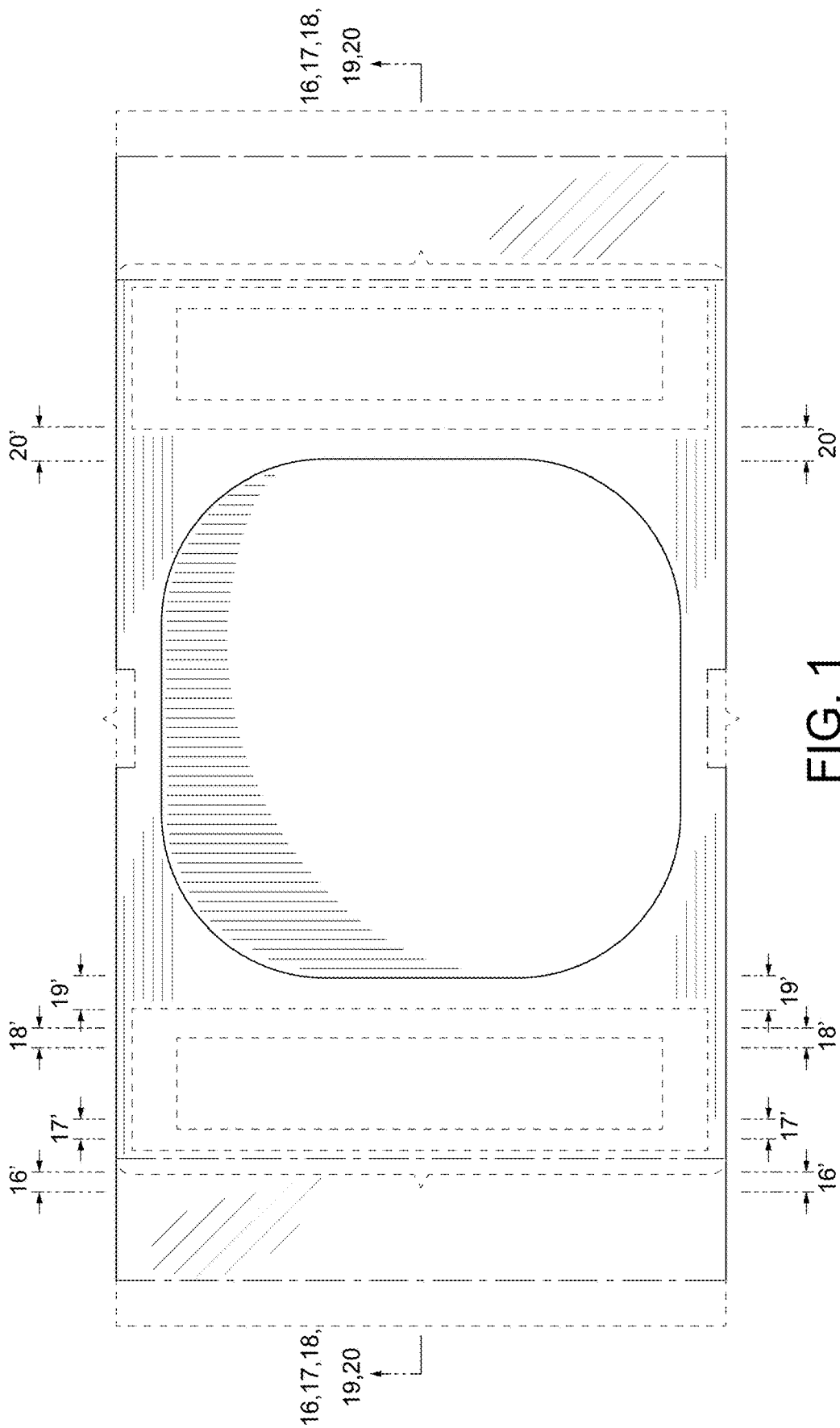


FIG. 1

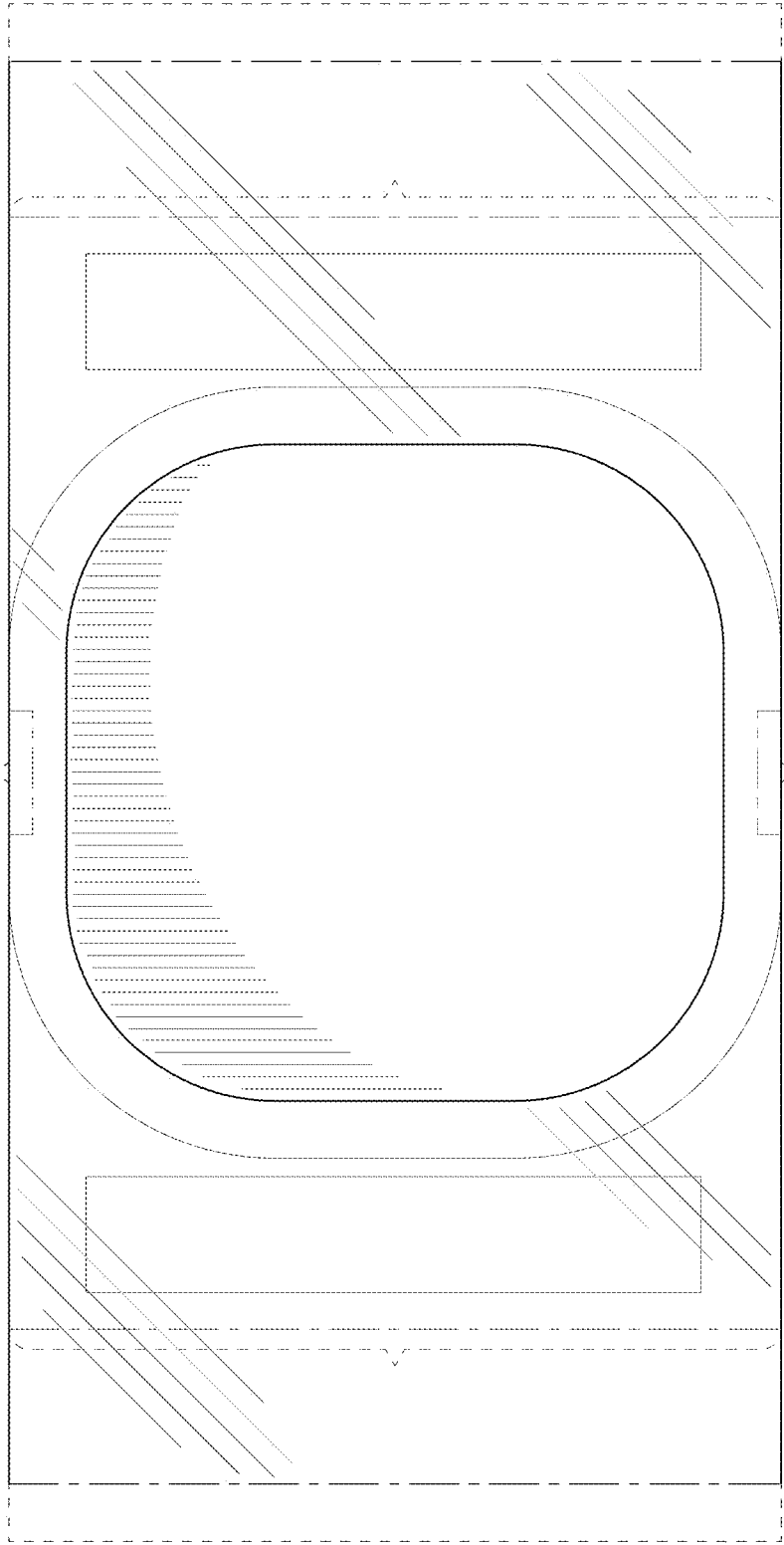


FIG. 2



FIG. 3



FIG. 4



FIG. 5

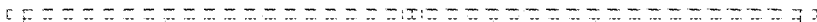


FIG. 6

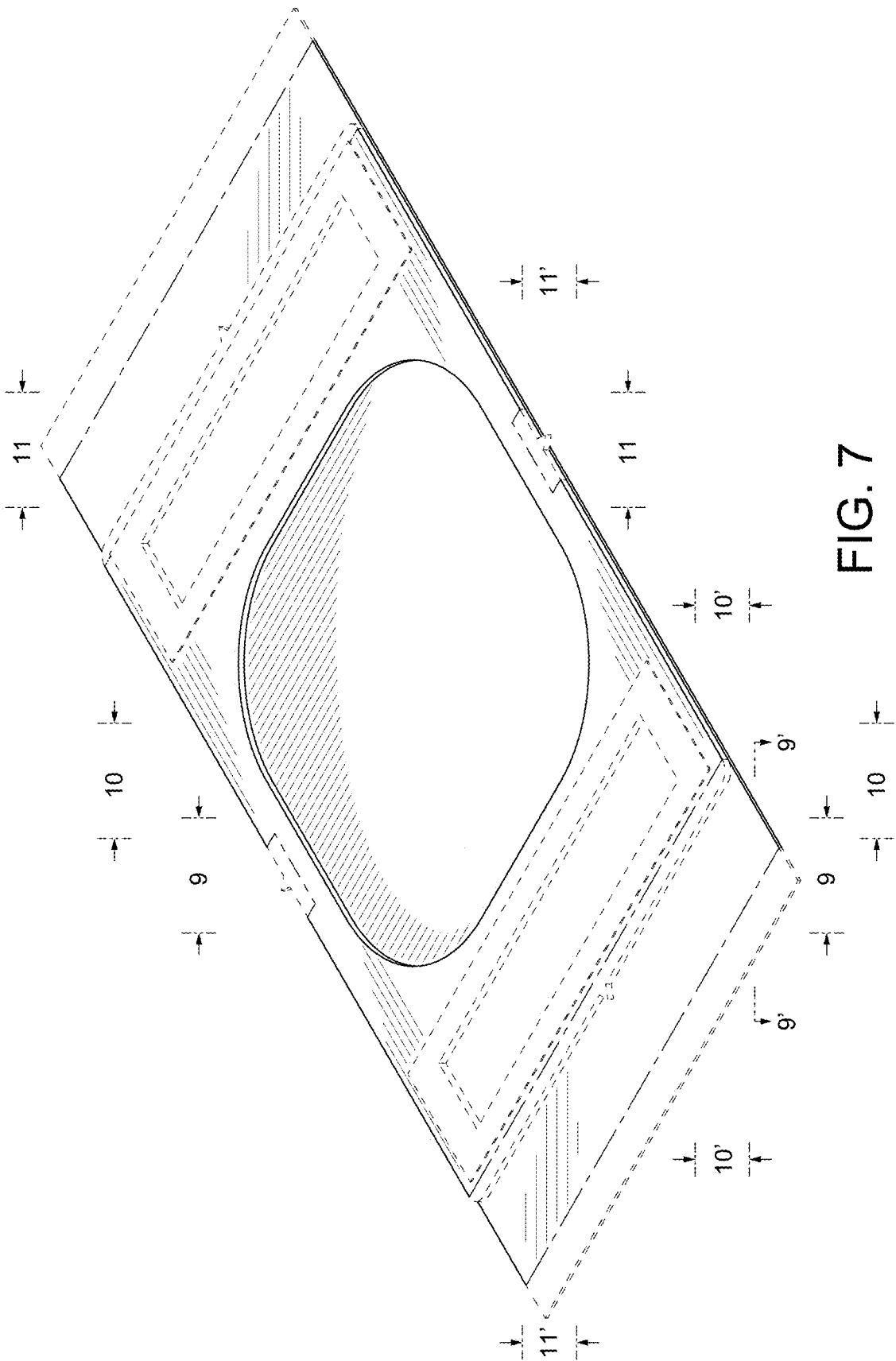


FIG. 7

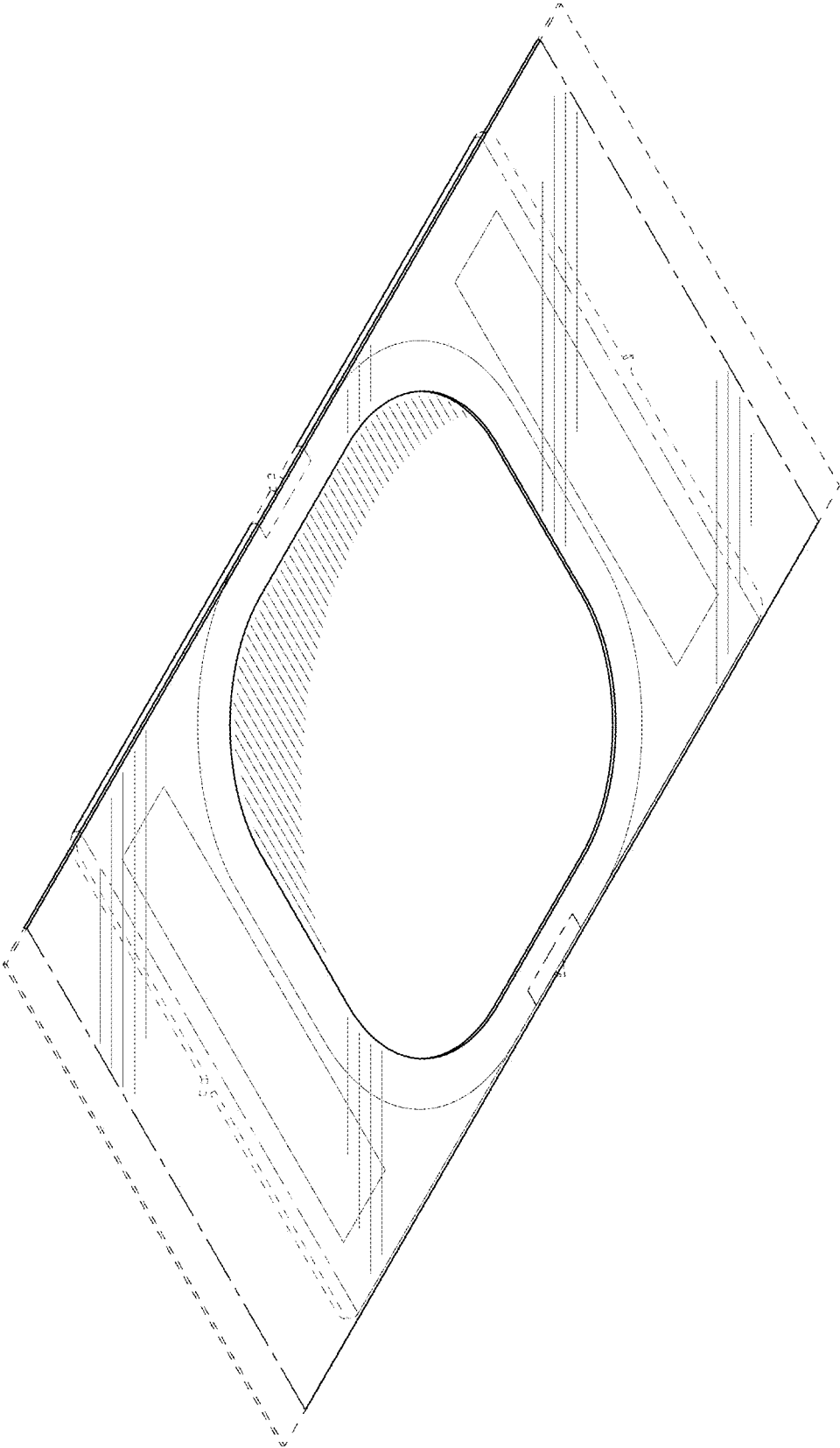


FIG. 8

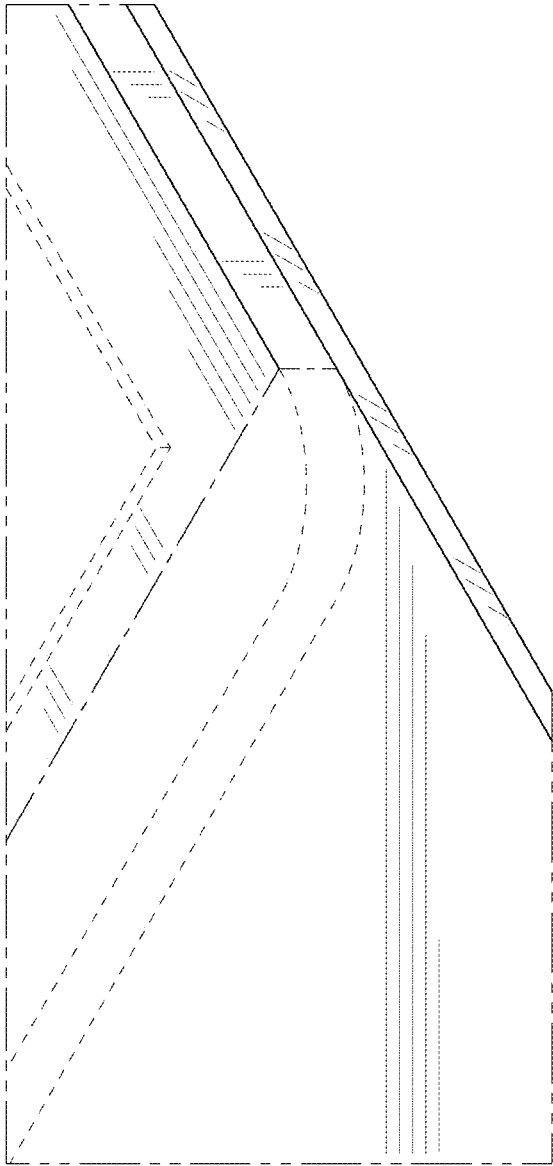


FIG. 10

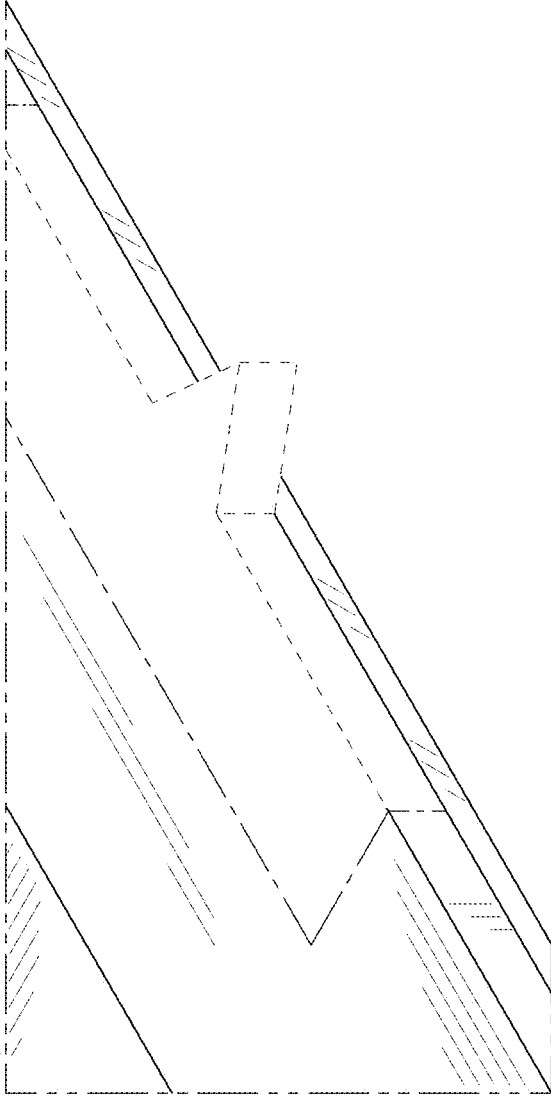


FIG. 11

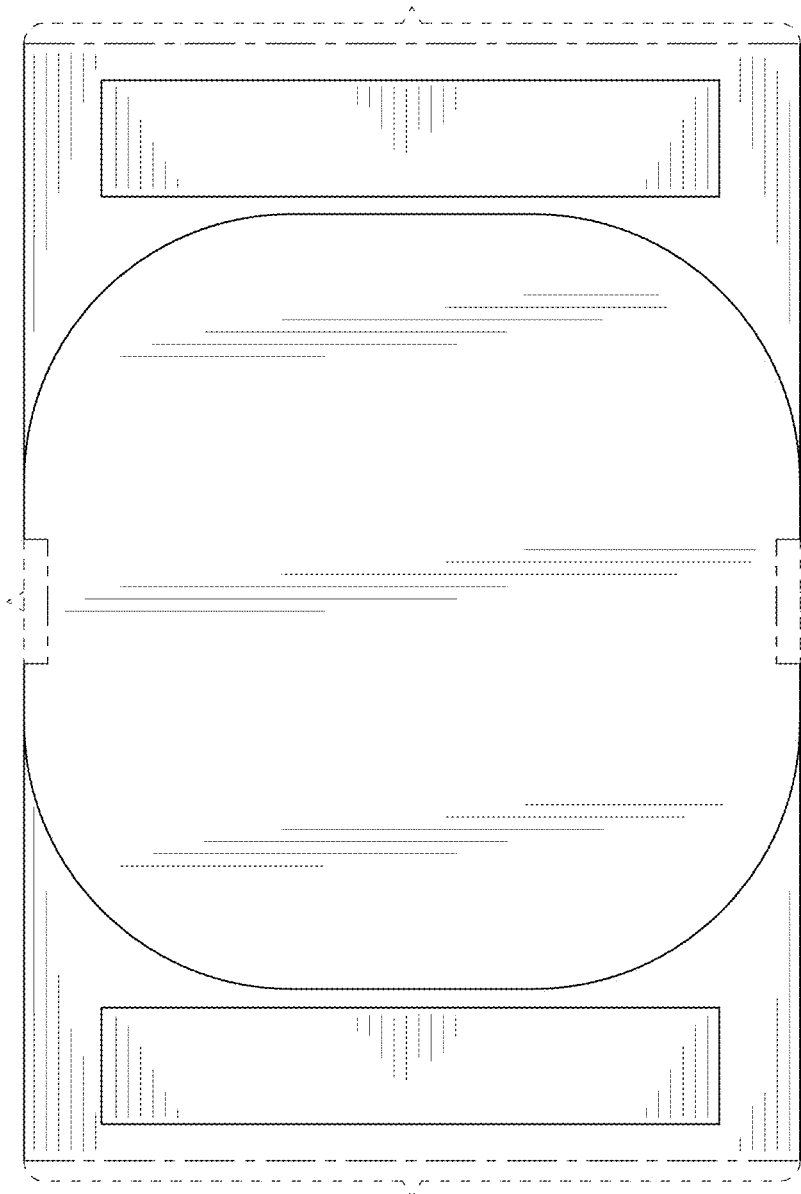


FIG. 12

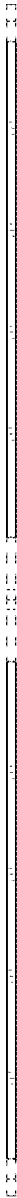


FIG. 13

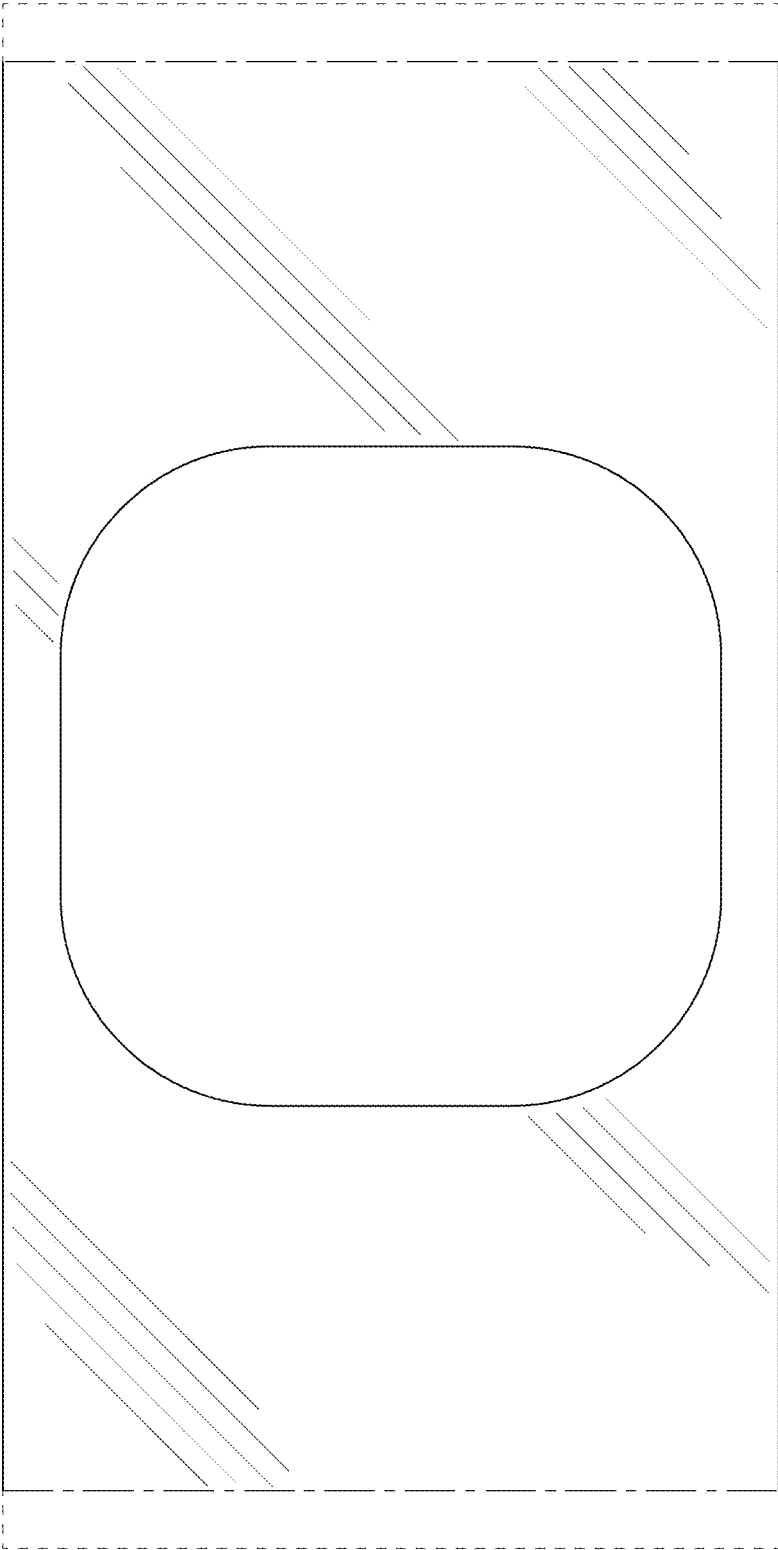


FIG. 14



FIG. 15

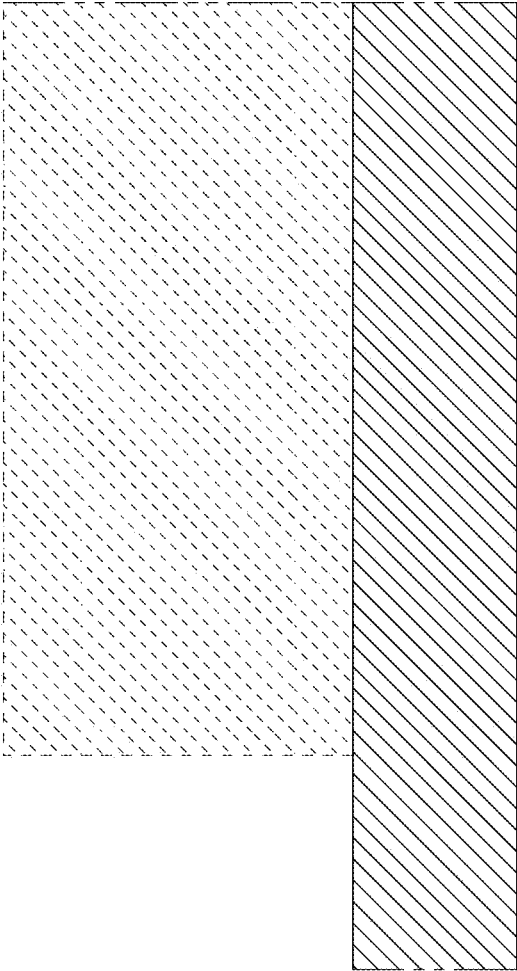


FIG. 16

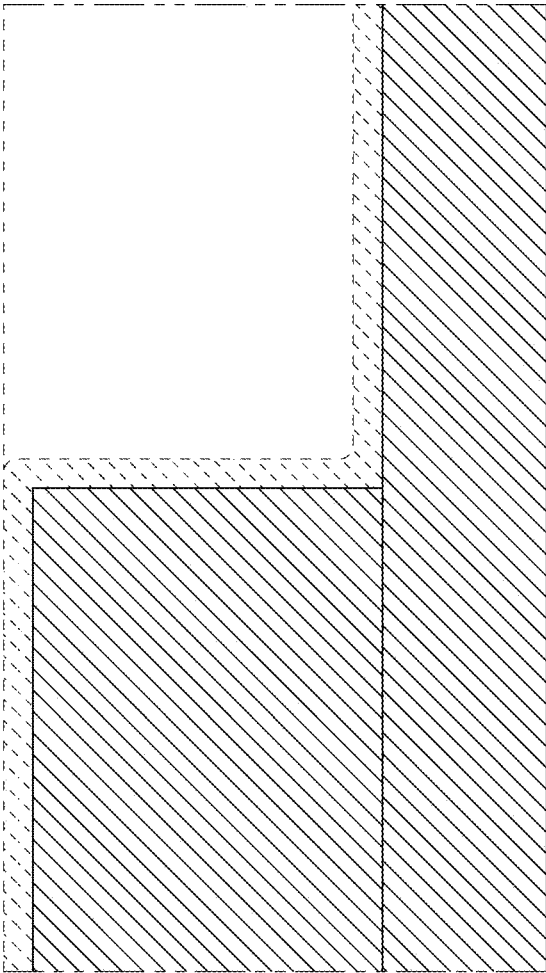


FIG. 17

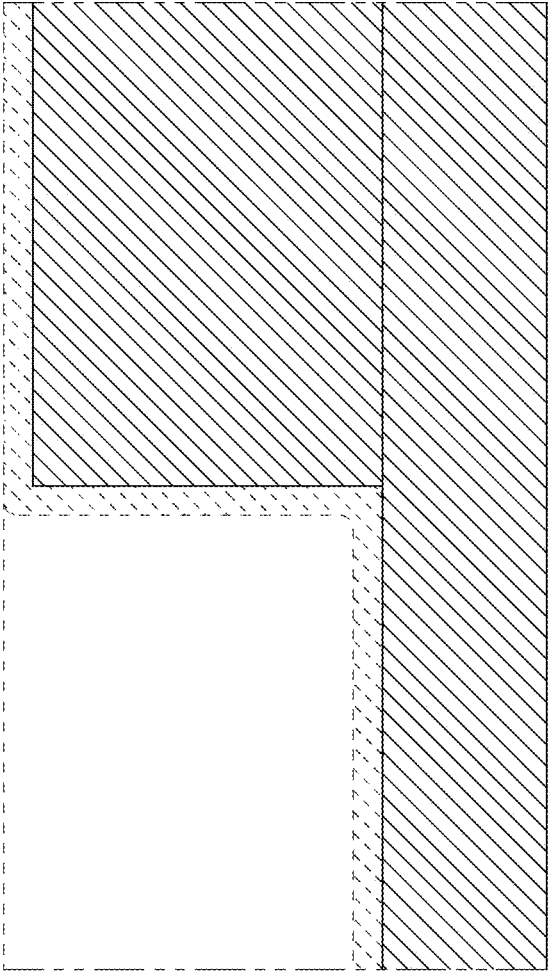


FIG. 18

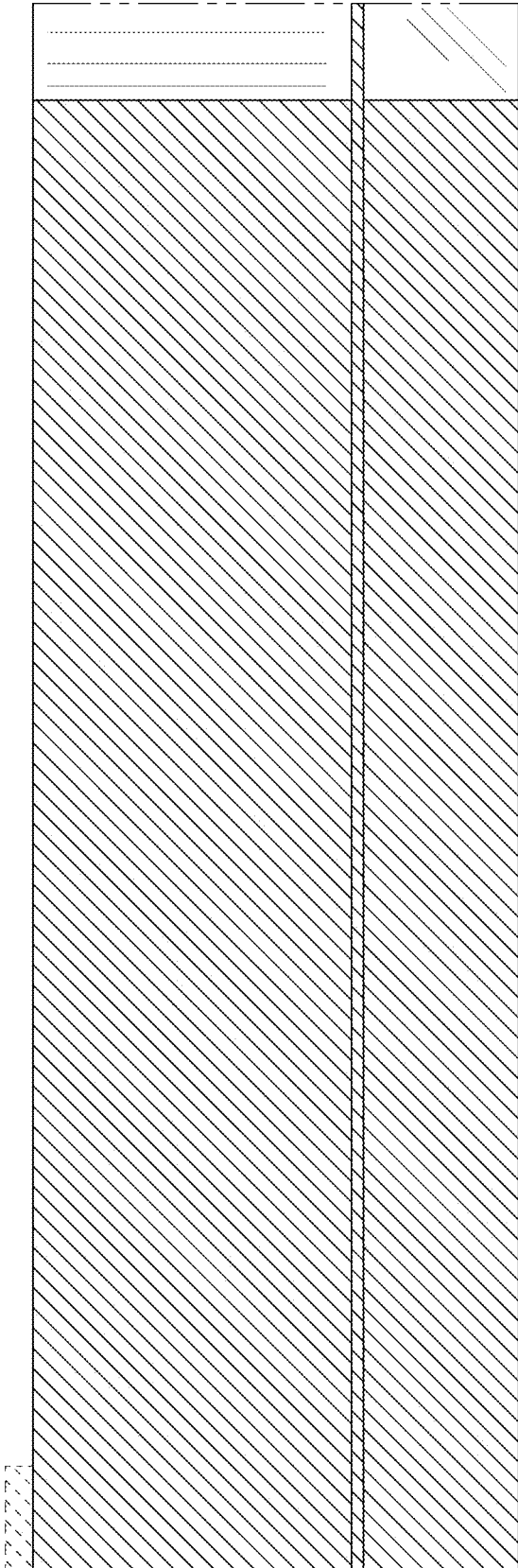


FIG. 19

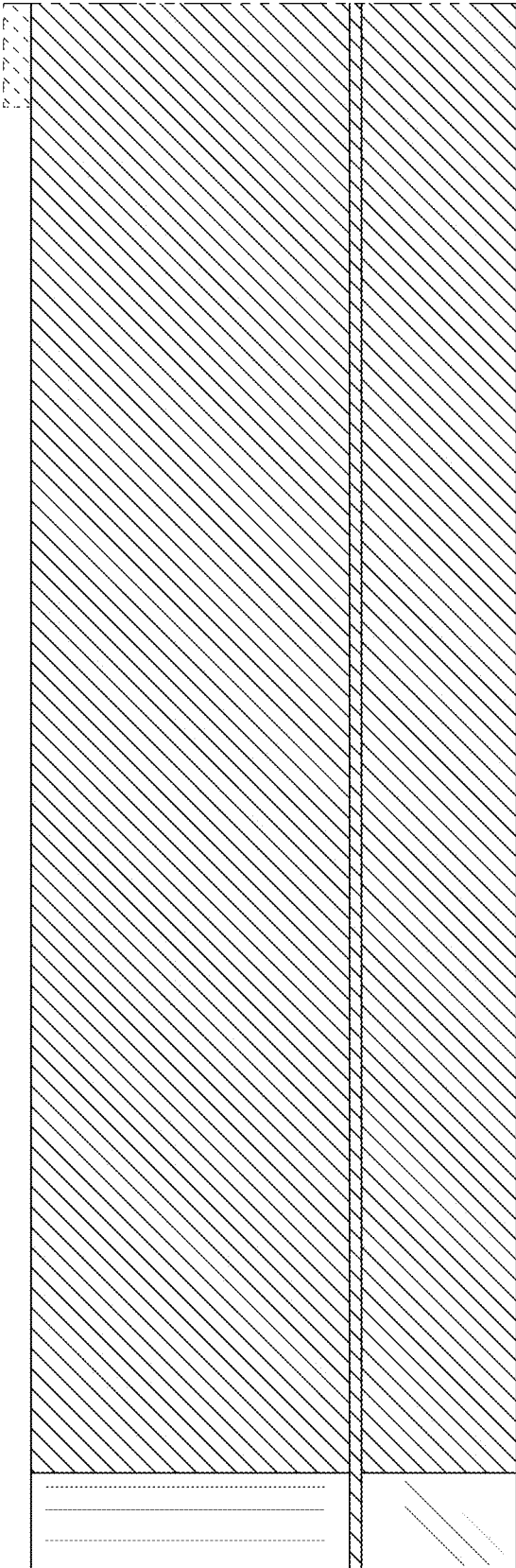


FIG. 20