



US00D522011S

(12) **United States Design Patent**
Hayes et al.

(10) **Patent No.:** **US D522,011 S**

(45) **Date of Patent:** **** May 30, 2006**

(54) **PORTION OF A GAME CONTROLLER**

(75) Inventors: **Jonathan A. Hayes**, Seattle, WA (US);
Michael Baseflug, Duvall, WA (US);
Gregory A. Martinez, Seattle, WA (US)

(73) Assignee: **Microsoft Corporation**, Redmond, WA (US)

(**) Term: **14 Years**

(21) Appl. No.: **29/227,638**

(22) Filed: **Apr. 14, 2005**

(51) **LOC (8) Cl.** **14-02**

(52) **U.S. Cl.** **D14/454**; D14/401; D21/333

(58) **Field of Classification Search** D14/400,
D14/401, 412-416, 432, 433, 454, 457, 356;
D21/324, 333; 273/148 B; 463/1, 29-35,
463/38-47; 345/156, 161, 163, 167; 200/1 R,
200/5 R, 5 A

See application file for complete search history.

(56) **References Cited**

U.S. PATENT DOCUMENTS

D348,083 S	*	6/1994	Smith et al.	D14/401
5,501,458 A	*	3/1996	Mallory	273/148 B
D416,588 S	*	11/1999	Goto	D14/454
D424,047 S	*	5/2000	Chan	D14/401
D430,223 S	*	8/2000	Goto	D21/333
D432,180 S	*	10/2000	Hayes	D21/333

6,232,959 B1	*	5/2001	Pedersen	345/161
6,342,009 B1	*	1/2002	Soma	463/38
D470,854 S	*	2/2003	Jones et al.	D14/456
D471,201 S	*	3/2003	Tsukuda	D14/455
6,659,870 B1	*	12/2003	Sobota	463/37
D487,466 S	*	3/2004	Yokota	D14/454
6,923,443 B1	*	8/2005	Hughes, IV	273/148 B

* cited by examiner

Primary Examiner—Prabhakar Deshmukh

(74) *Attorney, Agent, or Firm*—Banner & Witcoff, Ltd.

(57) **CLAIM**

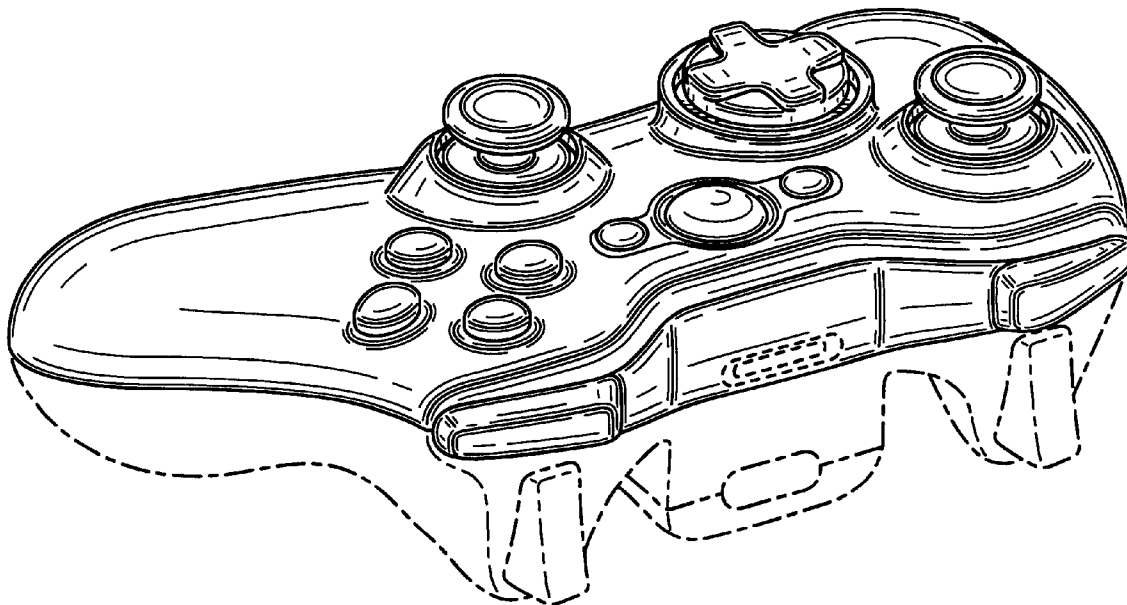
The ornamental design for a portion of a game controller, as shown and described.

DESCRIPTION

FIG. 1 is a front perspective view of a portion of a game controller showing our new design; FIG. 2 is a top view thereof; FIG. 3 is a left side view thereof; FIG. 4 is a right side view thereof; FIG. 5 is a front view thereof; FIG. 6 is a rear view thereof; and, FIG. 7 is a bottom view thereof.

The unshaded broken line showing of the connector region in FIGS. 1 and 5 forms no part of the claimed design. The unshown portion forms no part of the claimed design. The broken line showing of the remainder of the game controller is for illustrative purposes and forms no part of the claimed design.

1 Claim, 4 Drawing Sheets



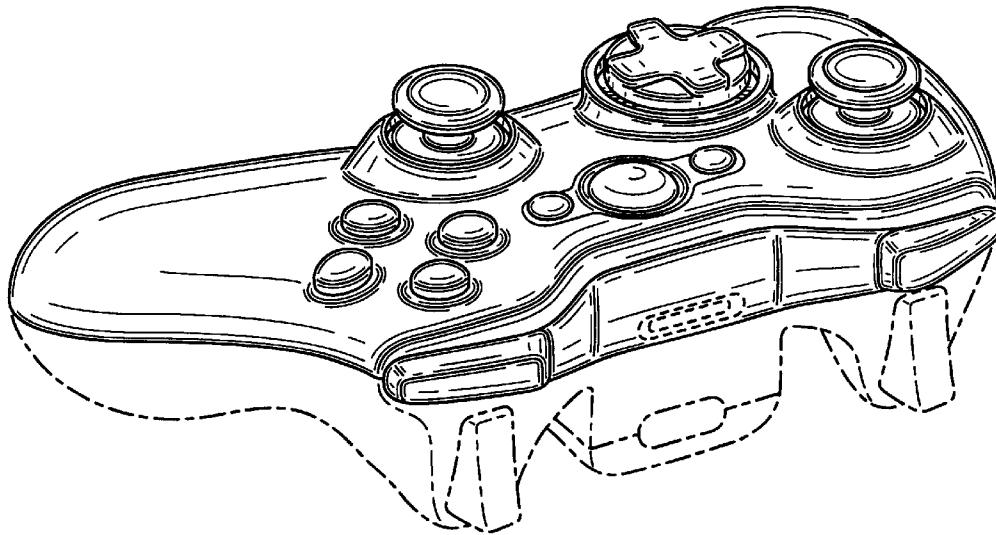


FIG. 1

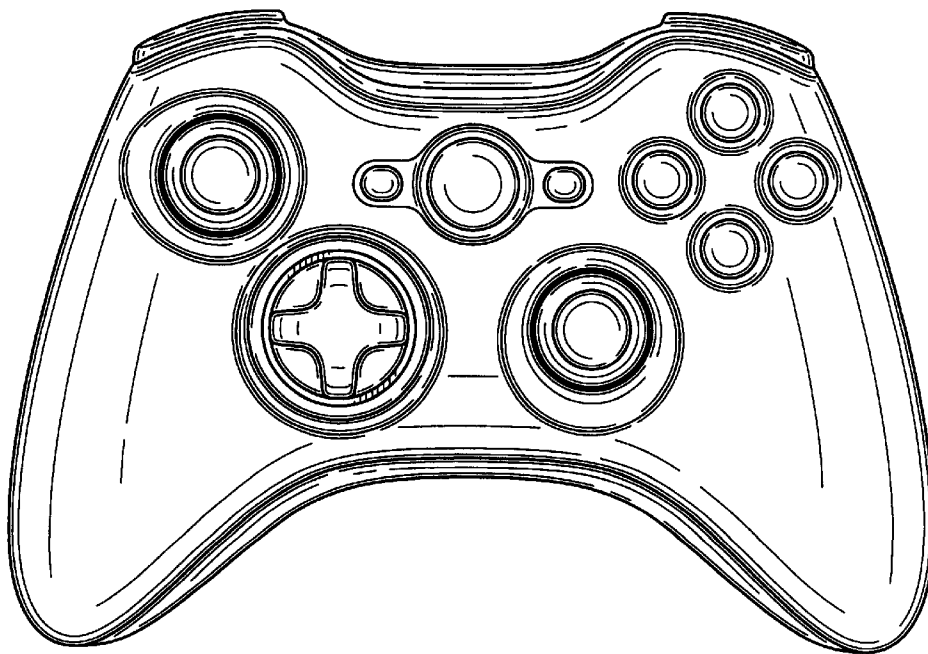


FIG. 2

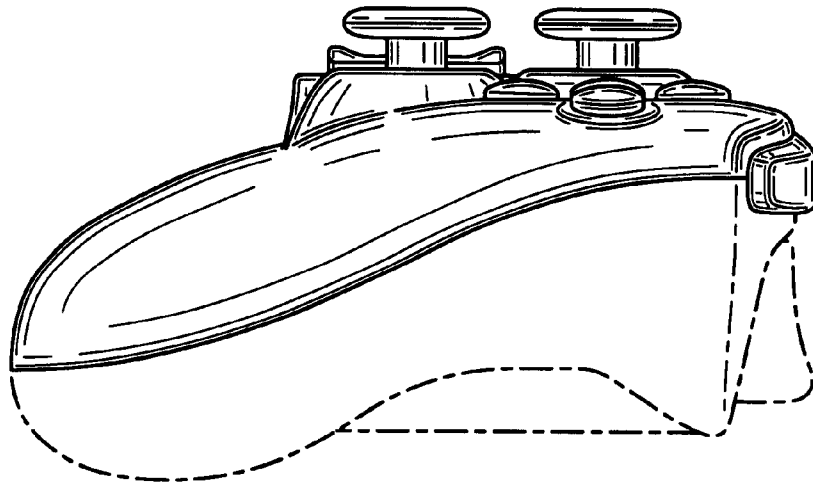


FIG. 3

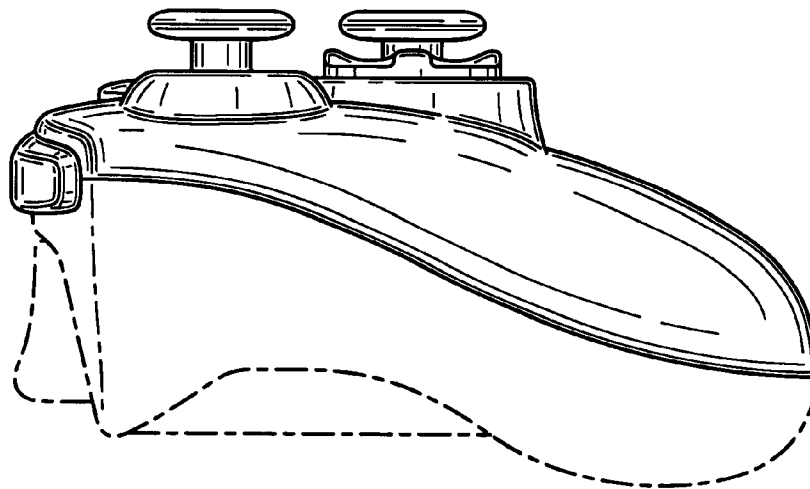


FIG. 4

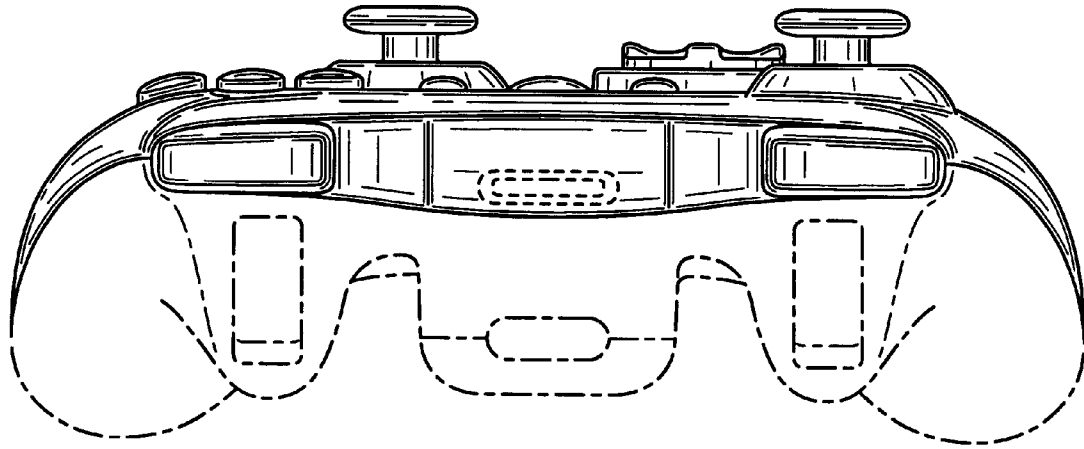


FIG. 5

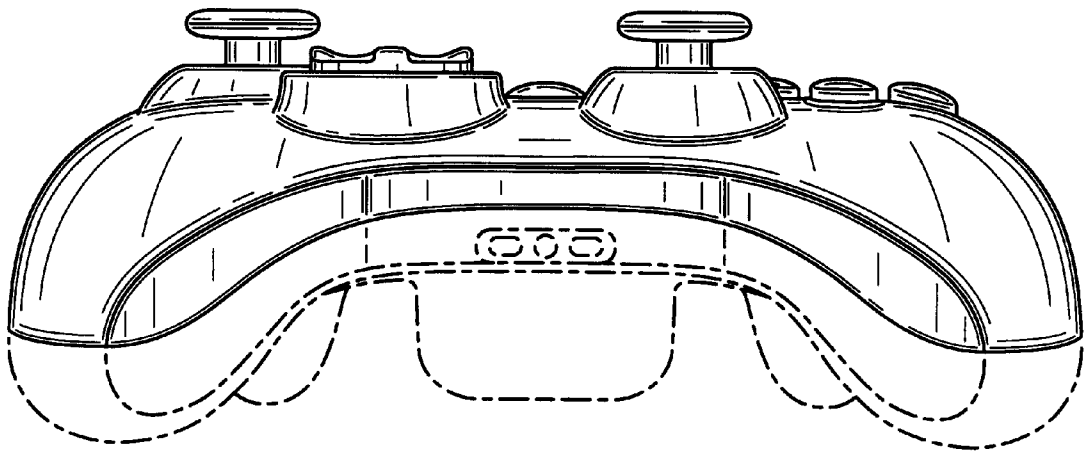


FIG. 6

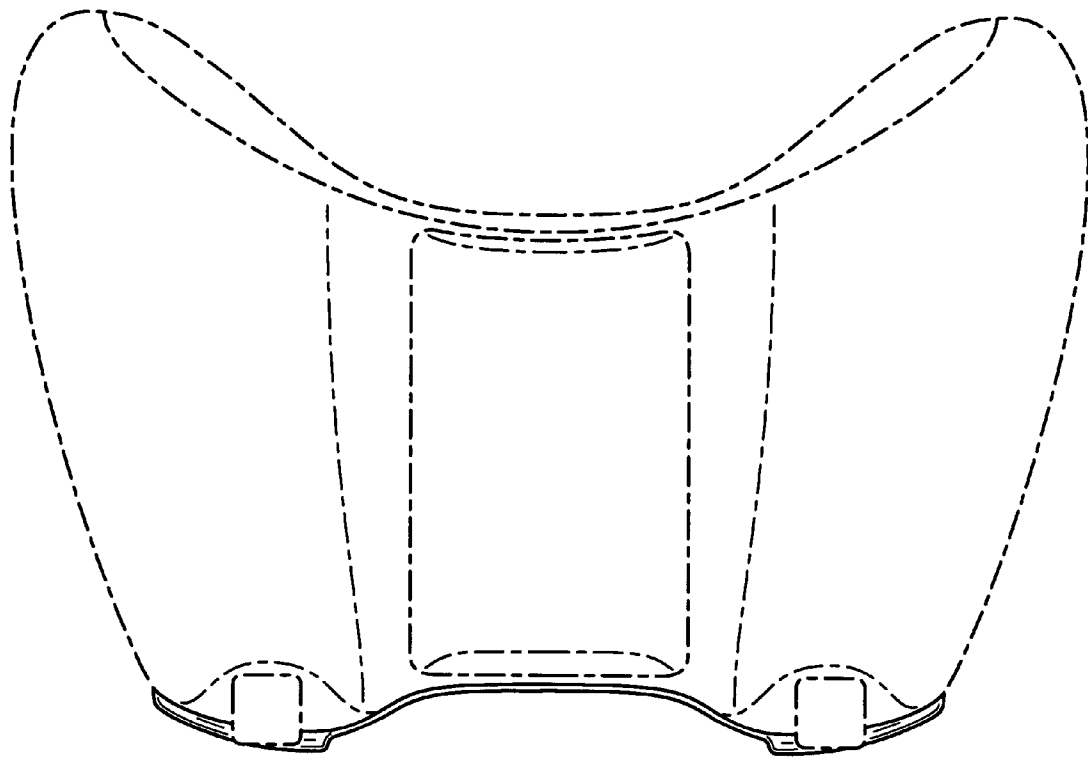


FIG. 7

UNITED STATES PATENT AND TRADEMARK OFFICE
CERTIFICATE OF CORRECTION

PATENT NO. : Des. 522,011 S
APPLICATION NO. : 29/227638
DATED : May 30, 2006
INVENTOR(S) : Jonathan A. Hayes et al.

Page 1 of 1

It is certified that error appears in the above-identified patent and that said Letters Patent is hereby corrected as shown below:

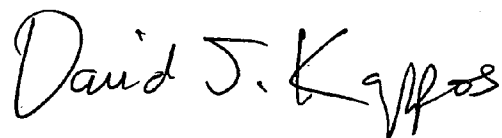
Title Page, Item (56) References Cited, U.S. Patent Documents, please insert:

-- D451,513 12-2001 Stewart et al.....D14/413

D453,932 02-2002 Han et al.....D14/401 --

Signed and Sealed this

Twenty-third Day of March, 2010



David J. Kappos
Director of the United States Patent and Trademark Office