



US00D387040S

United States Patent [19]

Iino

[11] Patent Number: Des. 387,040

[45] Date of Patent: **Dec. 2, 1997

[54] DISPLAY WITH A TELEVISION CAMERA FOR ELECTRONIC COMPUTERS

D. 354,949 1/1995 Yao D14/100
D. 363,730 10/1995 Flohr et al. D14/107 X
D. 364,857 12/1995 Chou D14/113

[75] Inventor: Masaaki Iino, Saitama-ken, Japan

FOREIGN PATENT DOCUMENTS

[73] Assignee: Kabushiki Kaisha Toshiba, Kanagawa-ken, Japan

883652 11/1993 Japan .

[**] Term: 14 Years

Primary Examiner—Freda Nunn

[21] Appl. No.: 59,219

[57] CLAIM

[22] Filed: Sep. 5, 1996

The ornamental design for a display with a television camera for electronic computers, as shown and described.

[30] Foreign Application Priority Data

DESCRIPTION

Mar. 8, 1996 [JP] Japan 8-6145

[51] LOC (6) CL 14-02

[52] U.S. CL D14/113; D14/126

[58] Field of Search D14/100, 106, 113, 101, 124-129; 345/104, 133, 156, 168, 173; 248/917-924; D16/202, 200, 201, 203, 204, 205, 230; 348/12, 15; 379/53

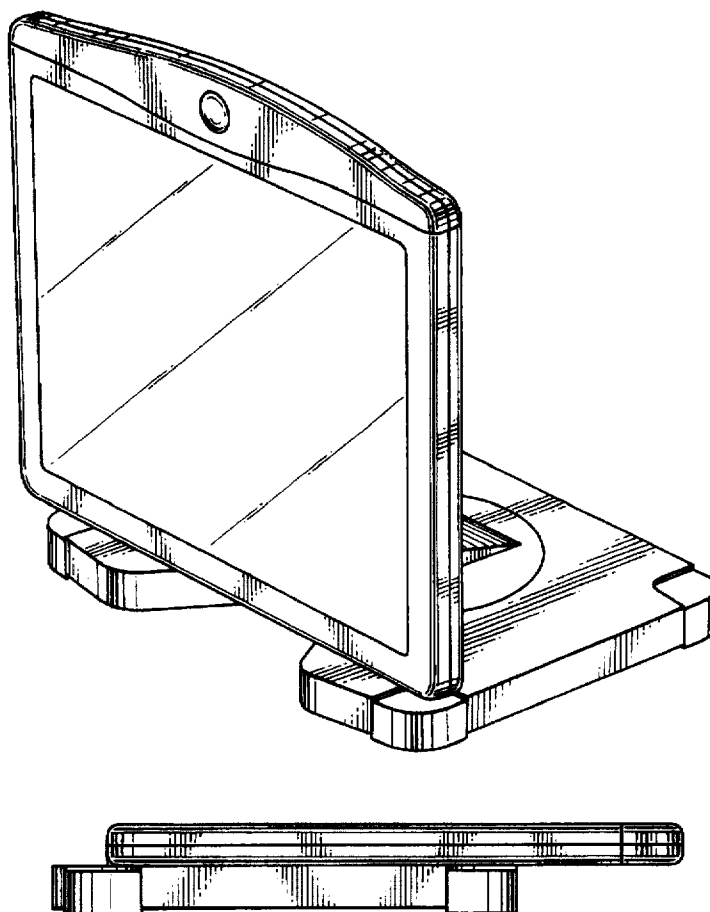
FIG. 1 is a top, front and right side perspective view of a display with a television camera for electronic computers showing my new design; FIG. 2 is a front elevational view thereof; FIG. 3 is a rear elevational view thereof; FIG. 4 is a right side elevational view thereof, the left side elevational view being a mirror image; FIG. 5 is a top plan view thereof; FIG. 6 is a bottom plan view thereof; and FIG. 7 is a right side elevational view thereof in a closed position.

[56] References Cited

U.S. PATENT DOCUMENTS

D. 290,702 7/1987 Stern et al. D14/113

1 Claim, 3 Drawing Sheets



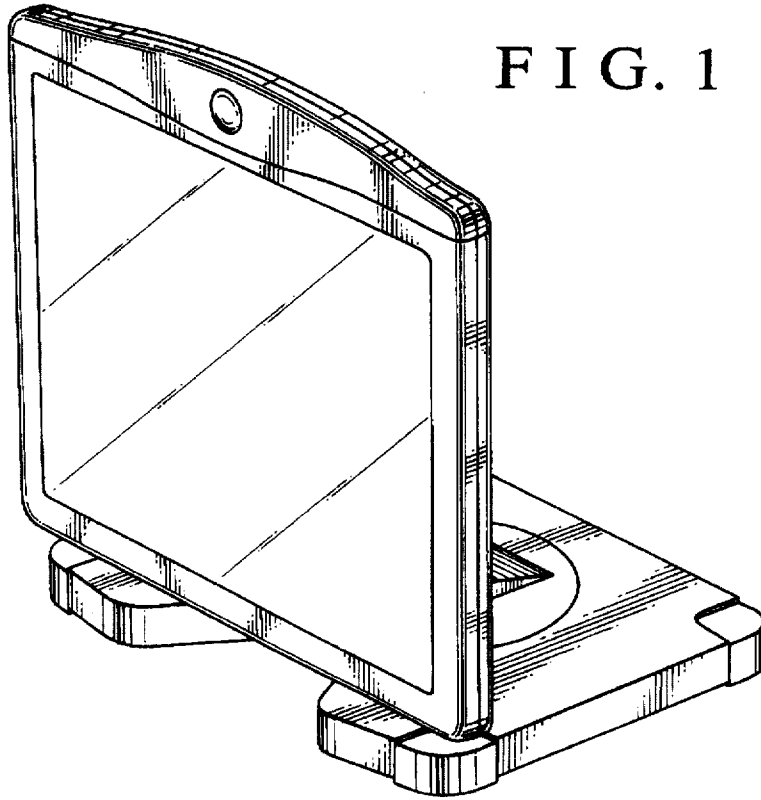


FIG. 1

FIG. 2

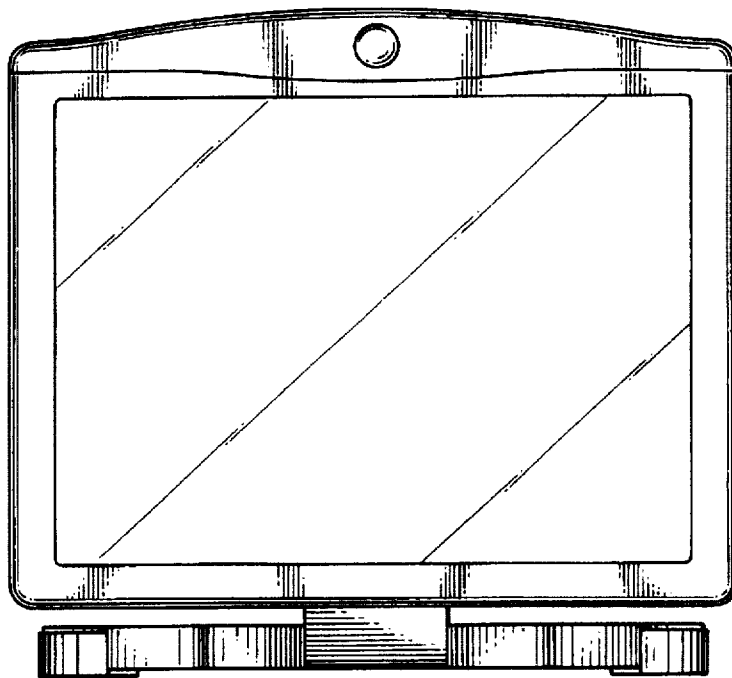


FIG. 3

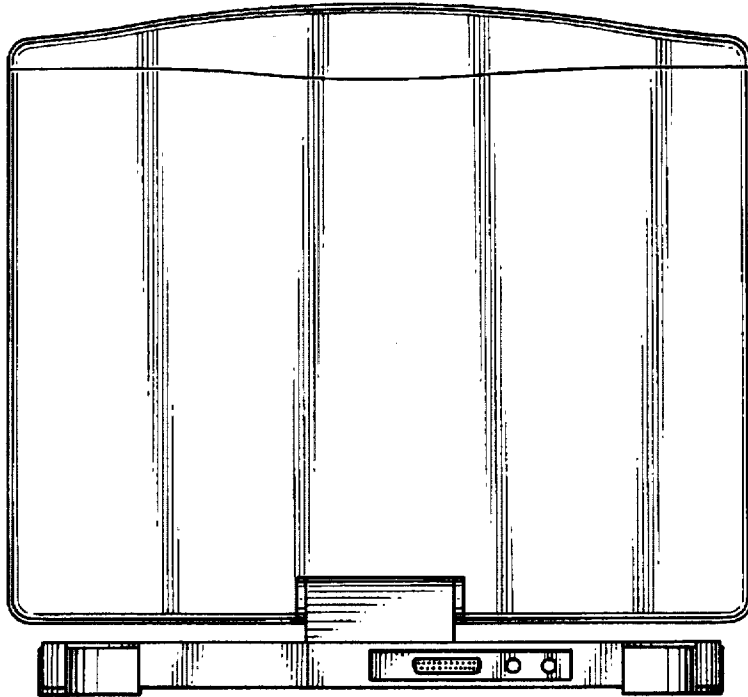


FIG. 4

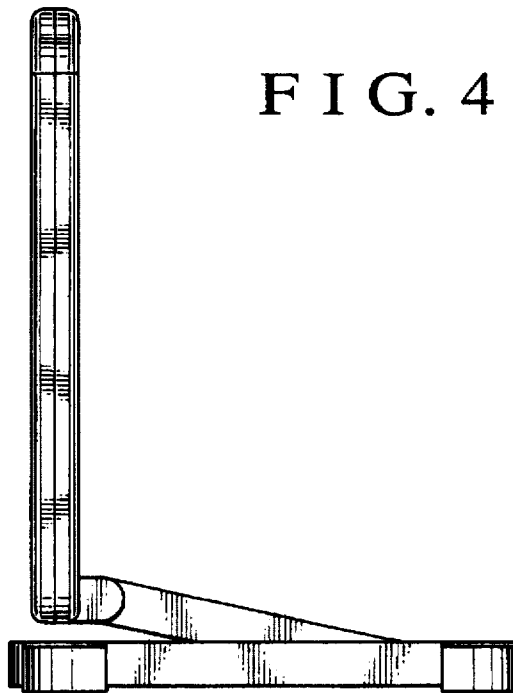


FIG. 5

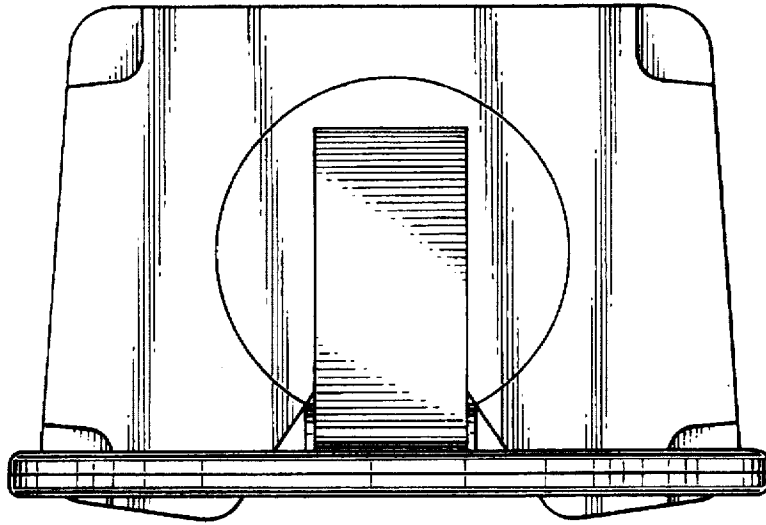


FIG. 6

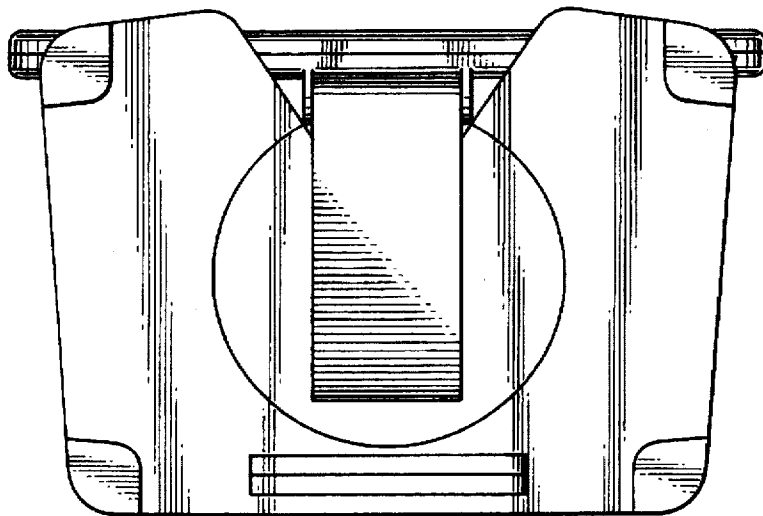


FIG. 7

