

(19) World Intellectual Property Organization
International Bureau



(43) International Publication Date
7 April 2005 (07.04.2005)

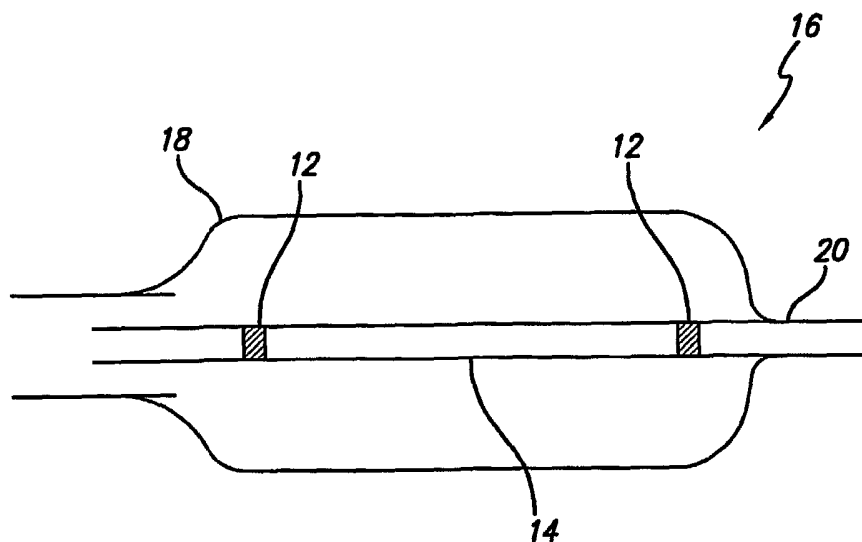
PCT

(10) International Publication Number
WO 2005/030284 A3

- (51) International Patent Classification⁷: A61L 29/18, 31/18, A61B 5/107, 19/00
 - (21) International Application Number: PCT/US2004/030526
 - (22) International Filing Date: 21 September 2004 (21.09.2004)
 - (25) Filing Language: English
 - (26) Publication Language: English
 - (30) Priority Data: 10/667,710 22 September 2003 (22.09.2003) US
 - (71) Applicant (for all designated States except US): ADVANCED CARDIOVASCULAR SYSTEMS, INC [US/US]; 3200 Lakeside Drive, Santa Clara, CA 95054-2807 (US).
 - (72) Inventors: BAVARO, Vincent, Peter; 42952 Via Alhama, Temecula, CA 92592 (US). SIMPSON, John, Arthur; 7647 Primavera Way, Carlsbad, CA 92009 (US). D'AQUANNI, Peter; 40597 Symphony Park, Murrieta, CA 92562 (US). BALDWIN, Aaron; 42214 Stonewood Road, Apartment A, Temecula, CA 92591 (US).
 - (74) Agents: HANKE, Gunther, O. et al.; Fulwider Patton Lee & Utecht, LLP, Howard Hughes Center, 6060 Center Drive, Tenth Floor, Los Angeles, CA 90045 (US).
 - (81) Designated States (unless otherwise indicated, for every kind of national protection available): AE, AG, AL, AM, AT, AU, AZ, BA, BB, BG, BR, BW, BY, BZ, CA, CH, CN, CO, CR, CU, CZ, DE, DK, DM, DZ, EC, EE, EG, ES, FI, GB, GD, GE, GH, GM, HR, HU, ID, IL, IN, IS, JP, KE, KG, KP, KR, KZ, LC, LK, LR, LS, LT, LU, LV, MA, MD, MG, MK, MN, MW, MX, MZ, NA, NI, NO, NZ, OM, PG, PH, PL, PT, RO, RU, SC, SD, SE, SG, SK, SL, SY, TJ, TM, TN, TR, TT, TZ, UA, UG, US, UZ, VC, VN, YU, ZA, ZM, ZW.
 - (84) Designated States (unless otherwise indicated, for every kind of regional protection available): ARIPO (BW, GH, GM, KE, LS, MW, MZ, NA, SD, SL, SZ, TZ, UG, ZM, ZW), Eurasian (AM, AZ, BY, KG, KZ, MD, RU, TJ, TM), European (AT, BE, BG, CH, CY, CZ, DE, DK, EE, ES, FI, FR, GB, GR, HU, IE, IT, LU, MC, NL, PL, PT, RO, SE, SI, SK, TR), OAPI (BF, BJ, CF, CG, CI, CM, GA, GN, GQ, GW, ML, MR, NE, SN, TD, TG).
- Published:
— with international search report

[Continued on next page]

(54) Title: POLYMERIC MARKER WITH HIGH RADIOCAPACITY FOR USE IN MEDICAL DEVICES



(57) Abstract: High radiopacity is achieved in a polymeric marker by combining a polymeric resin, a powdered radiopaque agent having uniformly shaped. Particles of a specific particle size distribution and a wetting agent. The method to produce the marker calls for the blending and pelletization of these materials followed by extrusion onto support beading. The resulting supported tubing is subsequently cut to length with the beading still in place. After ejection of the beading remnant the marker is slipped into place on the device to be marked and attached by melt bonding. Marking of a guidewire allows lesions to be measured while the marking of balloon catheters allow the balloon to be properly positioned relative to a lesion.

WO 2005/030284 A3



— *before the expiration of the time limit for amending the claims and to be republished in the event of receipt of amendments*

For two-letter codes and other abbreviations, refer to the "Guidance Notes on Codes and Abbreviations" appearing at the beginning of each regular issue of the PCT Gazette.

(88) Date of publication of the international search report:
7 July 2005

INTERNATIONAL SEARCH REPORT

International Application No
PCT/US2004/030526

| | | |
|-----------------------------------------------------------------------------------------------------------------------------------------------------------------------------------------------------------------------------------------------------------------------------------------------------------------------------------------------------------------------------------------------------------------------------------------------------------------------------------------------------------------------------------------------------------------------------------------------------------------------------------------------------------------------------------------------------------------------------------------------------------------------------------------------------------------------------------------------------------------------------------------------------------------------------------------------------------------------------------------------------------------------------------------------------------------------------------------------------------------------------------------------------------------------------------------------------------------------------------------------------------------------------------------------------------------------------------------------------------------------------------------------------------------------|---------------------------------------------------------------------------------------------------------------------------------------------------------------------------------------------------------------------------------------------------------------------------------------------------------|----------------------------------------------------------------------|
| <p>A. CLASSIFICATION OF SUBJECT MATTER IPC 7 A61L29/18 A61L31/18 A61B5/107 A61B19/00</p> | | |
| <p>According to International Patent Classification (IPC) or to both national classification and IPC</p> | | |
| <p>B. FIELDS SEARCHED</p> | | |
| <p>Minimum documentation searched (classification system followed by classification symbols) IPC 7 A61M A61B C25D A61L</p> | | |
| <p>Documentation searched other than minimum documentation to the extent that such documents are included in the fields searched</p> | | |
| <p>Electronic data base consulted during the international search (name of data base and, where practical, search terms used) EPO-Internal, WPI Data, PAJ</p> | | |
| <p>C. DOCUMENTS CONSIDERED TO BE RELEVANT</p> | | |
| Category ° | Citation of document, with indication, where appropriate, of the relevant passages | Relevant to claim No. |
| X | WO 02/096474 A (TECRES S.P.A; SOFFIATI, RENZO; ROBOTTI, PIERFRANCESCO) 5 December 2002 (2002-12-05) page 3 - page 4 page 7, paragraphs 1,3 page 9, paragraphs 2,3 page 11, paragraph 2 page 13, lines 4,5,19,20 page 14, lines 18-23 page 15 - page 17 ----- -/-- | 1-3,6,7, 10,18, 35-37, 40-42,44 |
| <p><input checked="" type="checkbox"/> Further documents are listed in the continuation of box C. <input checked="" type="checkbox"/> Patent family members are listed in annex.</p> | | |
| <p>° Special categories of cited documents :</p> | | |
| <p>*A* document defining the general state of the art which is not considered to be of particular relevance *E* earlier document but published on or after the international filing date *L* document which may throw doubts on priority claim(s) or which is cited to establish the publication date of another citation or other special reason (as specified) *O* document referring to an oral disclosure, use, exhibition or other means *P* document published prior to the international filing date but later than the priority date claimed *T* later document published after the international filing date or priority date and not in conflict with the application but cited to understand the principle or theory underlying the invention *X* document of particular relevance; the claimed invention cannot be considered novel or cannot be considered to involve an inventive step when the document is taken alone *Y* document of particular relevance; the claimed invention cannot be considered to involve an inventive step when the document is combined with one or more other such documents, such combination being obvious to a person skilled in the art. *&* document member of the same patent family</p> | | |
| Date of the actual completion of the international search 19 April 2005 | | Date of mailing of the international search report 09/05/2005 |
| Name and mailing address of the ISA European Patent Office, P.B. 5818 Patentlaan 2 NL - 2280 HV Rijswijk Tel. (+31-70) 340-2040, Tx. 31 651 epo nl, Fax: (+31-70) 340-3016 | | Authorized officer Böhm, I |

INTERNATIONAL SEARCH REPORT

International Application No
PCT/US2004/030526

| C.(Continuation) DOCUMENTS CONSIDERED TO BE RELEVANT | | |
|------------------------------------------------------|----------------------------------------------------------------------------------------------------------------------------------------------------------------------------------------------------------------------------|------------------------------------------|
| Category ° | Citation of document, with indication, where appropriate, of the relevant passages | Relevant to claim No. |
| A | US 6 540 721 B1 (VOYLES CAROLYN ET AL) 1 April 2003 (2003-04-01) cited in the application column 1, lines 50-61 column 2, lines 13-22 column 5, lines 45-51 claims; figures | 1-46 |
| X | US 4 935 019 A (PAPP, JR. ET AL) 19 June 1990 (1990-06-19) column 1, lines 10-14,30-36 column 2, lines 8-39 column 3, lines 2-6 claims 1,3,7 | 1-3,6,7, 10,18, 35-37, 40-42,44 |
| X | US 2001/021873 A1 (STINSON JONATHAN S) 13 September 2001 (2001-09-13) claims 3,5,9,23,26,27 | 1,35,46 |
| X,P | WO 03/089012 A (SEORX, INC) 30 October 2003 (2003-10-30) page 9, lines 14-20,22 page 10, lines 2,8,11,27-29 page 11, lines 12,13 page 14, lines 1-4,32-35 page 16, lines 25,26 page 18, lines 3-5 | 1-3,6,7, 10,18, 35-37, 40-42,44 |
| A | US 6 436 056 B1 (WANG JAMES C ET AL) 20 August 2002 (2002-08-20) column 2, lines 64,65 column 7, lines 49,50 column 8, lines 23-49 | 27-34 |
| A | US 6 428 512 B1 (ANDERSON DAVID M ET AL) 6 August 2002 (2002-08-06) the whole document | 27-34 |
| A | US 2003/088195 A1 (VARDI GIL M ET AL) 8 May 2003 (2003-05-08) paragraphs '0001!, '0012!, '0030!, '0041! | 27-34 |
| A | US 2001/012968 A1 (PREISSMAN HOWARD) 9 August 2001 (2001-08-09) paragraph '0011! | 1 |
| A,P | WO 03/101343 A (SCIMED LIFE SYSTEMS, INC) 11 December 2003 (2003-12-11) paragraphs '0044!, '0046!, '0076!, '0077! | 46 |

INTERNATIONAL SEARCH REPORT

International Application No
PCT/US2004/030526

| Patent document cited in search report | | Publication date | Patent family member(s) | Publication date |
|----------------------------------------|----|------------------|-------------------------|------------------|
| WO 02096474 | A | 05-12-2002 | IT VI20010126 A1 | 02-12-2002 |
| | | | CA 2447046 A1 | 05-12-2002 |
| | | | CN 1512898 A | 14-07-2004 |
| | | | EP 1409032 A1 | 21-04-2004 |
| | | | WO 02096474 A1 | 05-12-2002 |
| | | | JP 2004534575 T | 18-11-2004 |
| | | | US 2004157952 A1 | 12-08-2004 |
| | | | ----- | |
| US 6540721 | B1 | 01-04-2003 | NONE | |
| ----- | | | | |
| US 4935019 | A | 19-06-1990 | US 5045080 A | 03-09-1991 |
| | | | AT 82141 T | 15-11-1992 |
| | | | AU 8289287 A | 23-06-1988 |
| | | | BR 8706967 A | 26-07-1988 |
| | | | CA 1293601 C | 31-12-1991 |
| | | | DE 3782633 D1 | 17-12-1992 |
| | | | DE 3782633 T2 | 05-12-1996 |
| | | | EP 0272901 A2 | 29-06-1988 |
| | | | ES 2035868 T3 | 01-05-1993 |
| | | | GR 871952 A1 | 19-04-1988 |
| | | | HK 63893 A | 09-07-1993 |
| | | | IE 60978 B1 | 07-09-1994 |
| | | | JP 63189150 A | 04-08-1988 |
| | | | NZ 222842 A | 27-09-1989 |
| | | | PT 86454 A , B | 17-01-1989 |
| | | | SG 39593 G | 11-06-1993 |
| | | | ZA 8709581 A | 30-08-1989 |
| ----- | | | | |
| US 2001021873 | A1 | 13-09-2001 | US 6174330 B1 | 16-01-2001 |
| | | | US 2004111149 A1 | 10-06-2004 |
| | | | CA 2238784 A1 | 01-02-1999 |
| | | | EP 0894503 A2 | 03-02-1999 |
| | | | JP 11057020 A | 02-03-1999 |
| | | | ----- | |
| WO 03089012 | A | 30-10-2003 | US 2002188196 A1 | 12-12-2002 |
| | | | AU 2003225002 A1 | 03-11-2003 |
| | | | CA 2482305 A1 | 30-10-2003 |
| | | | EP 1494721 A2 | 12-01-2005 |
| | | | WO 03089012 A2 | 30-10-2003 |
| | | | ----- | |
| US 6436056 | B1 | 20-08-2002 | US 5951494 A | 14-09-1999 |
| | | | EP 0827383 A1 | 11-03-1998 |
| | | | JP 11502131 T | 23-02-1999 |
| ----- | | | | |
| US 6428512 | B1 | 06-08-2002 | NONE | |
| ----- | | | | |
| US 2003088195 | A1 | 08-05-2003 | US 2004064070 A1 | 01-04-2004 |
| ----- | | | | |
| US 2001012968 | A1 | 09-08-2001 | US 6231615 B1 | 15-05-2001 |
| | | | US 6309420 B1 | 30-10-2001 |
| | | | AU 1081999 A | 03-05-1999 |
| | | | WO 9918894 A1 | 22-04-1999 |
| | | | ----- | |
| WO 03101343 | A | 11-12-2003 | US 2003225448 A1 | 04-12-2003 |
| | | | AU 2003234430 A1 | 19-12-2003 |
| | | | CA 2482619 A1 | 11-12-2003 |
| | | | EP 1515663 A1 | 23-03-2005 |
| | | | WO 03101343 A1 | 11-12-2003 |
| | | | ----- | |