



(12) **United States Design Patent**  
**Yan**

(10) **Patent No.:** **US D996,736 S**  
(45) **Date of Patent:** **\*\* Aug. 22, 2023**

(54) **PET FEEDER**

(71) Applicant: **SHENZHEN HAOBANG  
BIOLOGICAL MEDICINE CO.,  
LTD.,** Shenzhen (CN)

(72) Inventor: **Baoheng Yan,** Shenzhen (CN)

(73) Assignee: **SHENZHEN HAOBANG  
BIOLOGICAL MEDICINE CO.,  
LTD.,** Shenzhen (CN)

(\*\*) Term: **15 Years**

(21) Appl. No.: **29/807,946**

(22) Filed: **Sep. 16, 2021**

(51) **LOC (14) Cl.** ..... **30-07**

(52) **U.S. Cl.**  
USPC ..... **D30/122**

(58) **Field of Classification Search**  
USPC ..... D30/121, 122, 129-133, 120; 119/61.5,  
119/51.01, 61.56, 51.03, 59, 62, 63, 51.5,  
119/57.8, 74, 61.54, 61.55, 53, 53.5, 75,  
119/56.2, 51.02, 51.11, 51.12, 57.1, 52.1,  
119/515; 312/204; 248/151, 188;  
108/156, 153.1-157; 220/23.87, 630,  
220/737, 743, 9.4, 495.01, 574, 212, 255,  
220/23.83; 206/515; D7/586, 543,  
D7/550.1, 587, 505, 584, 545, 500,  
D7/553.1-553.8, 546, 555, 556, 504, 565,  
D7/562, 602, 605, 312, 313, 320, 307,  
D7/306, 309, 354, 311, 399, 397, 323,  
D7/332, 331, 347, 346, 322, 318, 317,  
D7/316, 619.1; D9/429; 43/109;  
D22/122; 99/430, DIG. 15, 280, 285,  
99/312; 222/209, 131, 363, 349, 517,  
222/153.13, 401, 1, 146.5, 23, 54, 64, 51,  
222/156, 399, 400.8; 219/438, 439, 441,  
219/385, 386, 402, 407; 210/94, 184,  
210/474, 477

CPC ..... A01K 5/02; A01K 5/0225; A01K 5/0114;  
A01K 5/025; A01K 5/0266; A01K  
5/0275; A01K 5/0283; A01K 5/0291;

A01K 5/0258; A01K 5/0142; A01K  
5/0233; A01K 29/00; A01K 7/00; G01F  
11/24; G01F 23/02; B67D 1/0425; B67D  
1/04; B67D 1/00; B67D 1/02; B67D  
1/0871; B67D 1/0802; A47J 41/0033;  
A47J 41/005; A47J 41/0088; A47J  
41/0094; A47J 31/04; A47J 31/053;  
(Continued)

(56) **References Cited**

U.S. PATENT DOCUMENTS

D432,279 S \* 10/2000 Kim ..... D30/121  
D884,985 S \* 5/2020 Chen ..... D30/122  
(Continued)

*Primary Examiner* — Susan Moon Lee

(74) *Attorney, Agent, or Firm* — Daniel M. Cohn;  
Howard M. Cohn

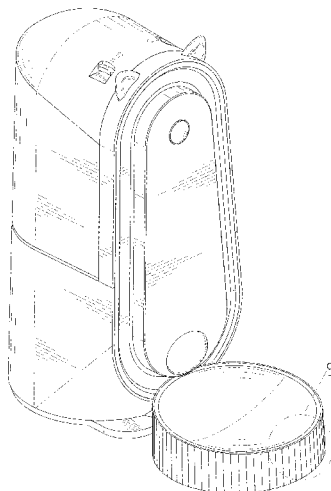
(57) **CLAIM**

The ornamental design for a pet feeder, as shown and  
described.

**DESCRIPTION**

FIG. 1 is a perspective view of a pet feeder showing my new  
design;  
FIG. 2 is another perspective view thereof;  
FIG. 3 is a front elevational view thereof;  
FIG. 4 is a rear elevational view thereof;  
FIG. 5 is a left side elevational view thereof;  
FIG. 6 is a right side elevational view thereof;  
FIG. 7 is a top plan view thereof;  
FIG. 8 is a bottom plan view thereof; and,  
FIG. 9 is an enlarged view of portion 9 shown in FIG. 1.  
The dash-dash broken lines in the drawings depict portions  
of the pet feeder that form no part of the claimed design. The  
dot-dash broken lines represent boundaries of the enlarged  
portion and form no part of the claimed design.

**1 Claim, 9 Drawing Sheets**



(58) **Field of Classification Search**

CPC . B05B 11/00; B05B 11/0002; B05B 11/0005;  
B05B 11/001; C02F 1/003; C02F 1/283;  
C02F 2307/02

See application file for complete search history.

(56) **References Cited**

U.S. PATENT DOCUMENTS

D885,685	S *	5/2020	Chen	.....	D30/122
D885,686	S *	5/2020	Chen	.....	D30/122
D935,703	S *	11/2021	Zheng	.....	D30/122
D950,858	S *	5/2022	Gong	.....	D30/122
D965,232	S *	9/2022	Chen	.....	D30/122
D985,857	S *	5/2023	Oxley	.....	D30/132
2016/0235035	A1 *	8/2016	Ma	.....	A01K 5/0275
2020/0100459	A1 *	4/2020	Chen	.....	A01K 5/0225
2020/0100460	A1 *	4/2020	Chen	.....	A01K 5/0225

\* cited by examiner

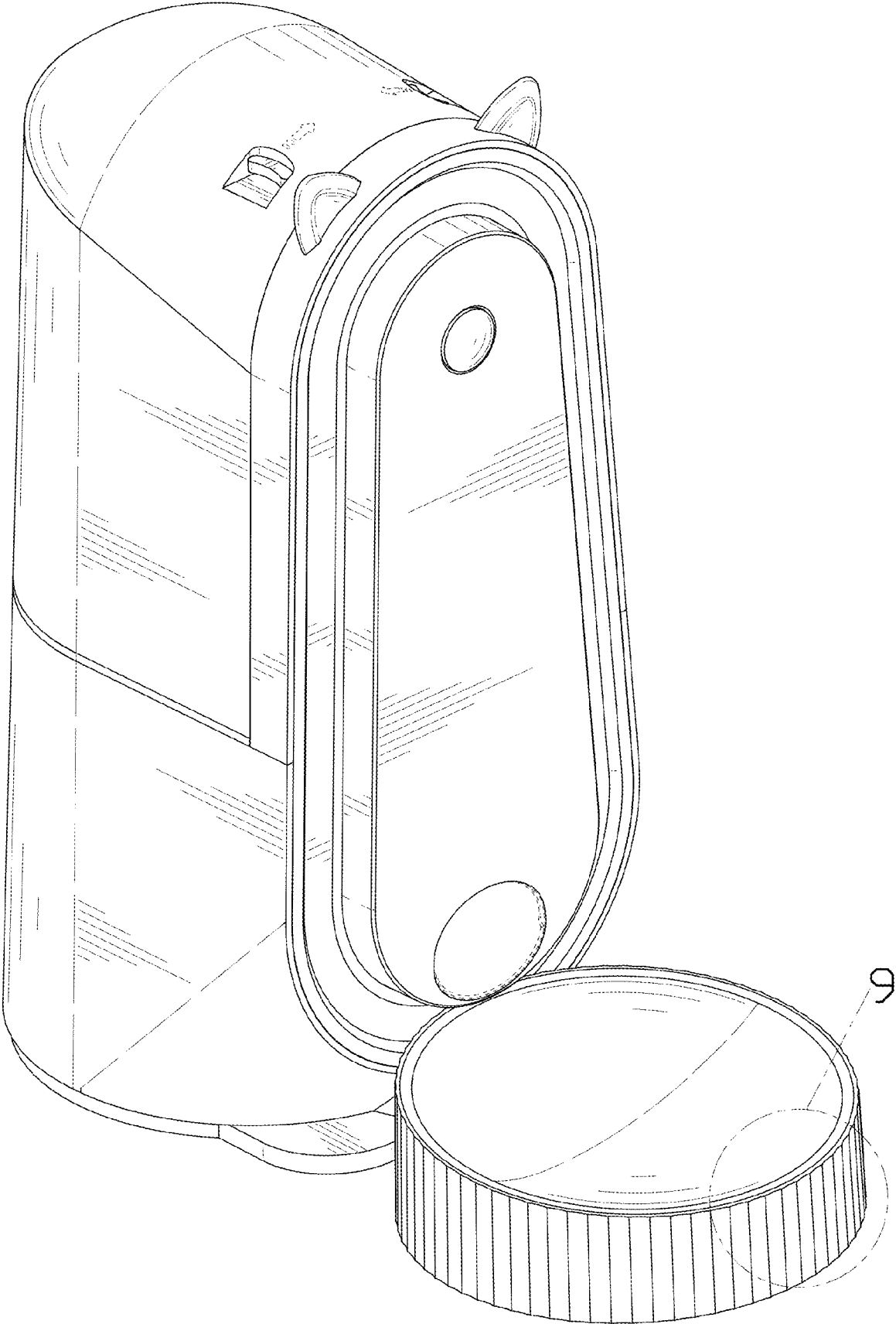


FIG. 1

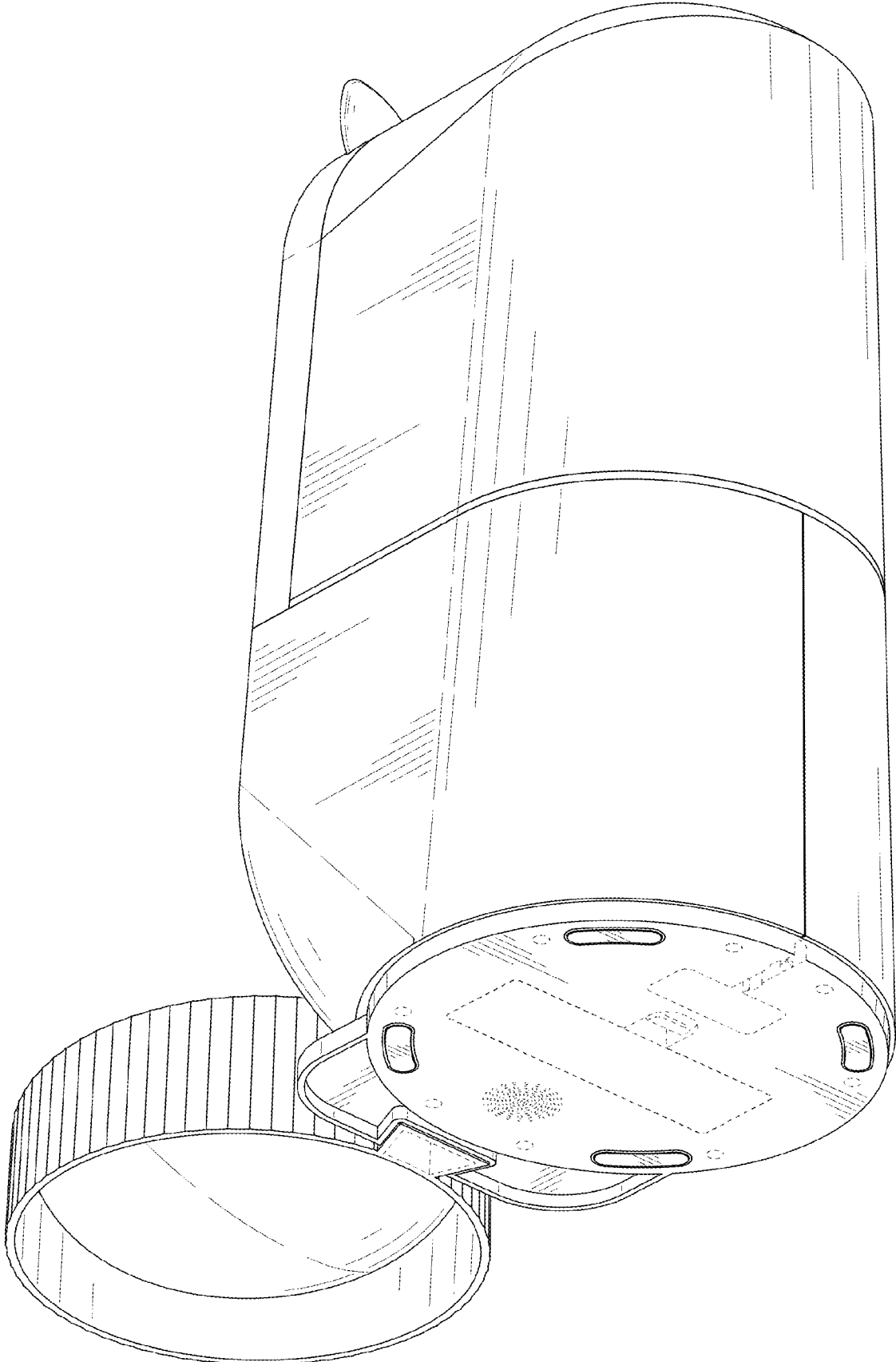


FIG. 2

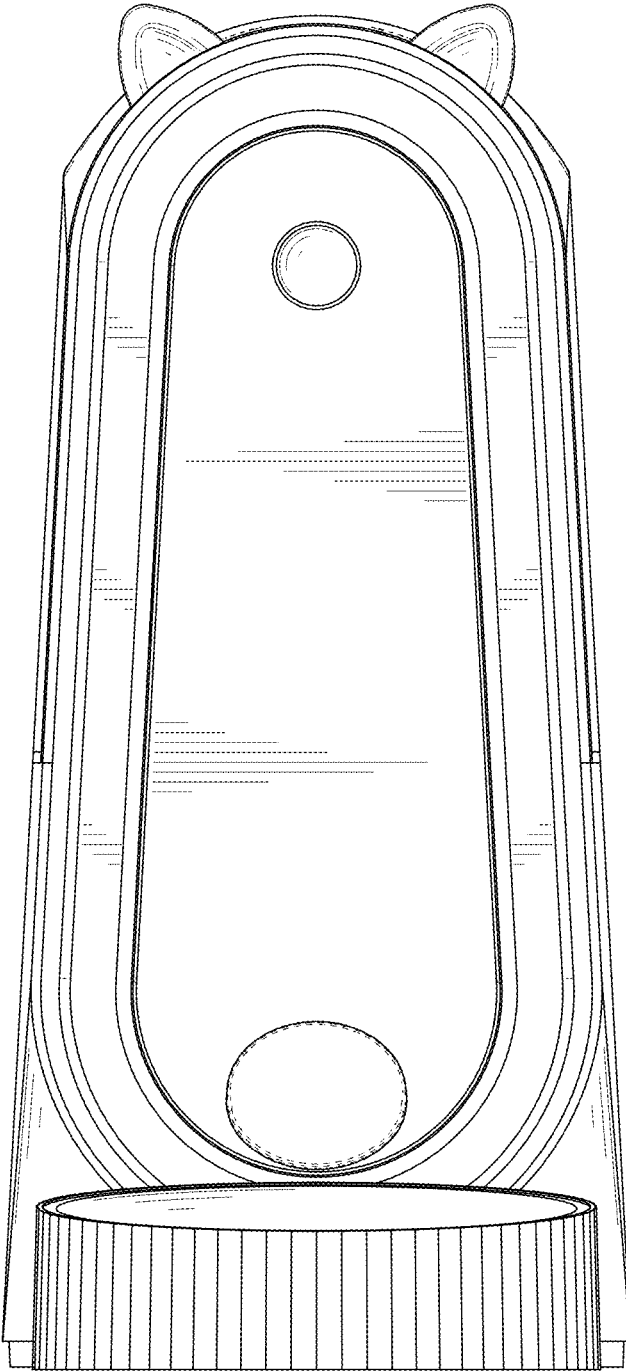


FIG. 3

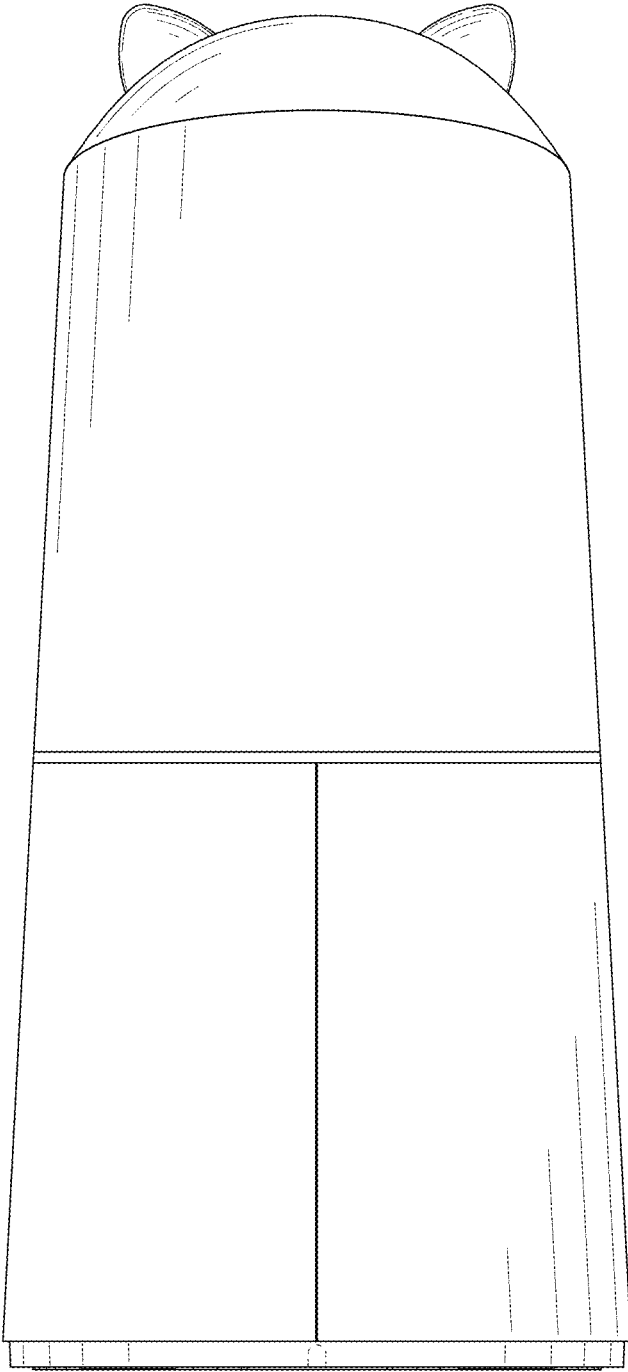


FIG. 4

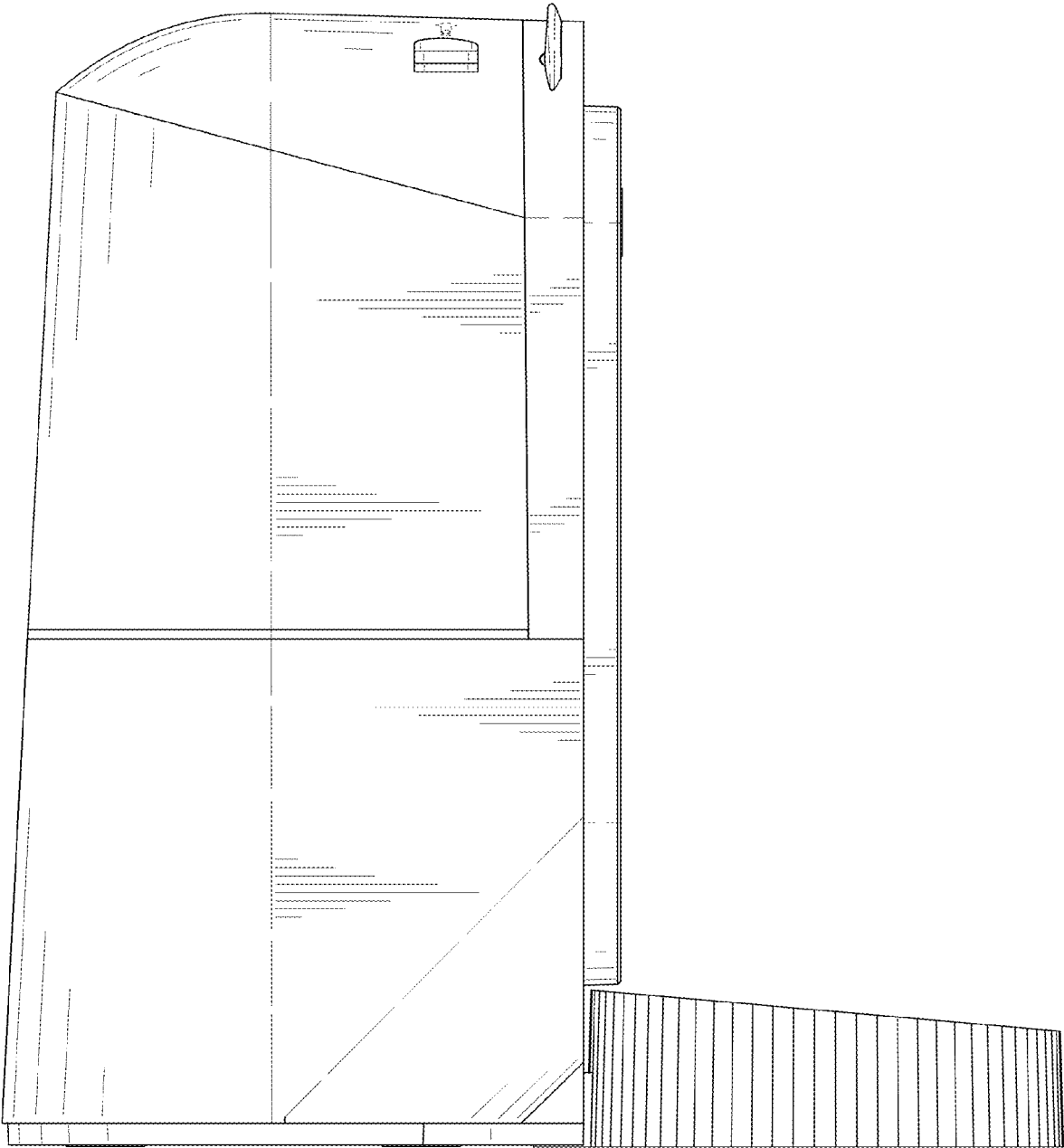


FIG. 5

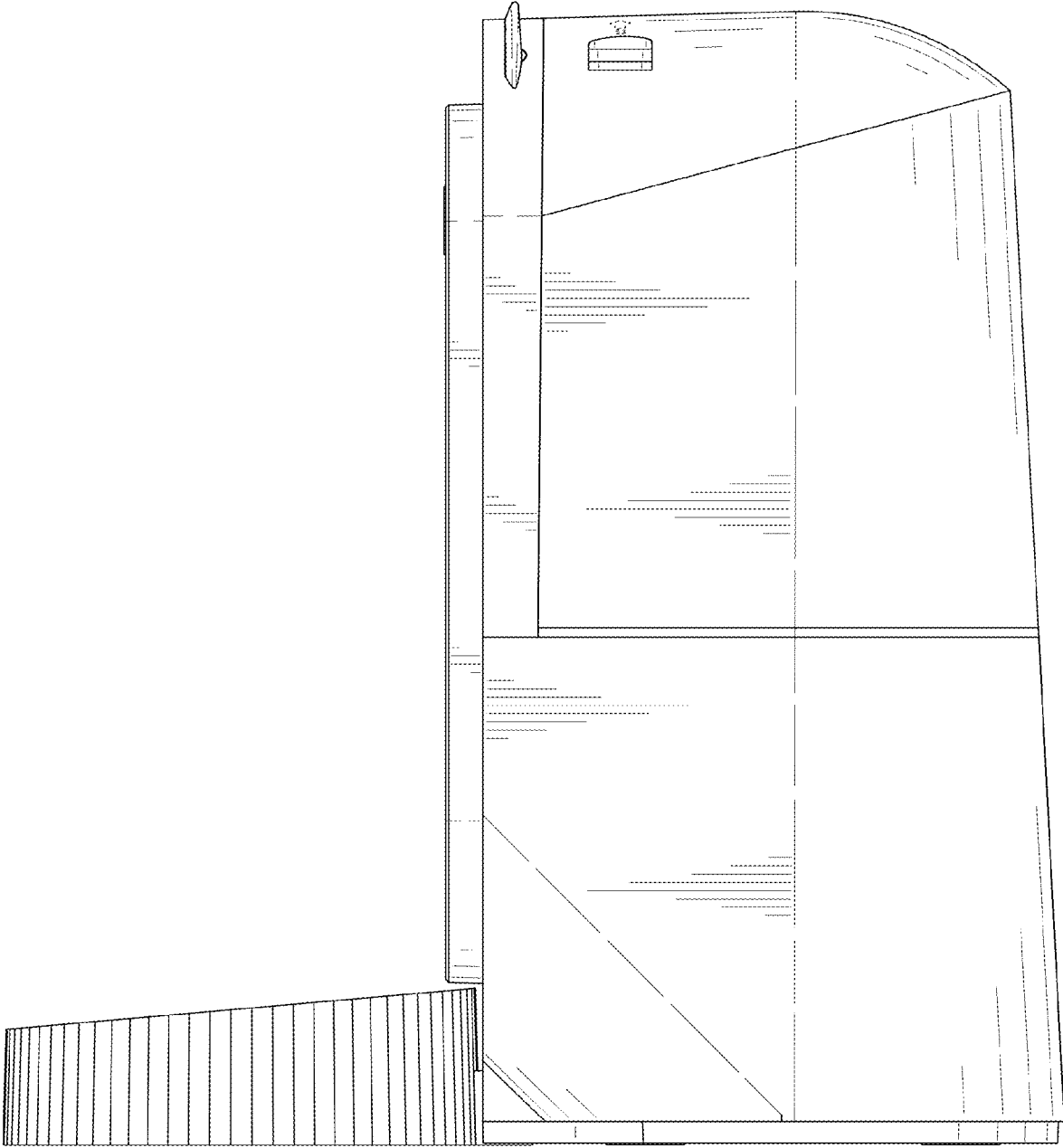


FIG. 6



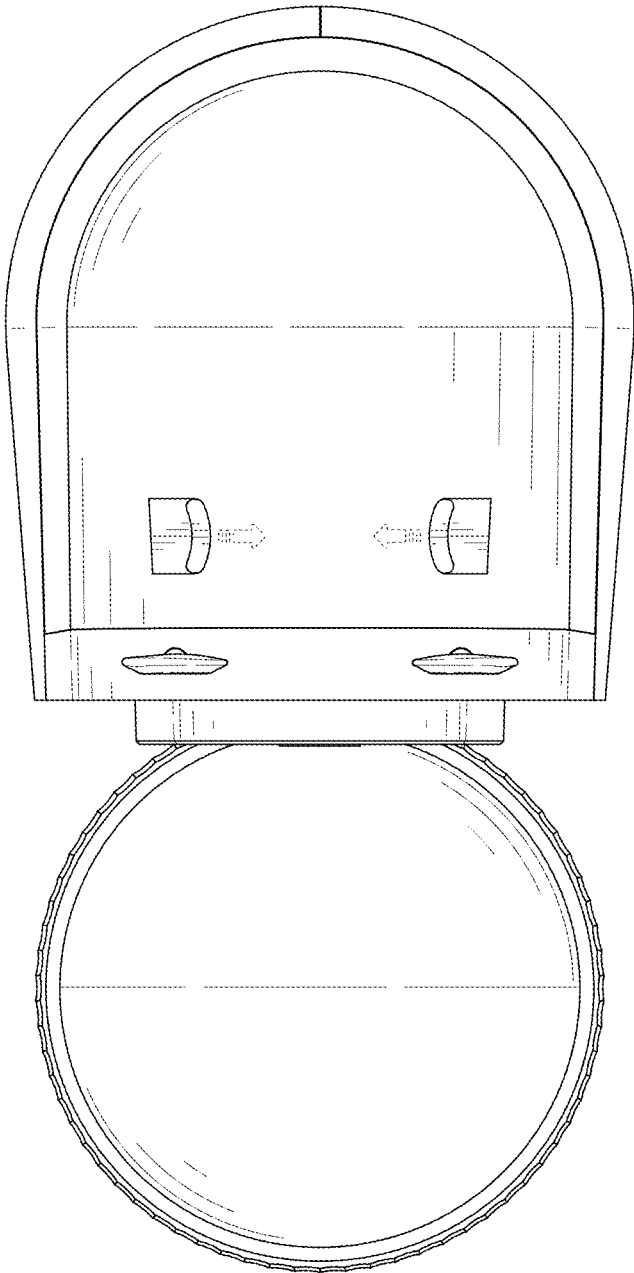


FIG. 7

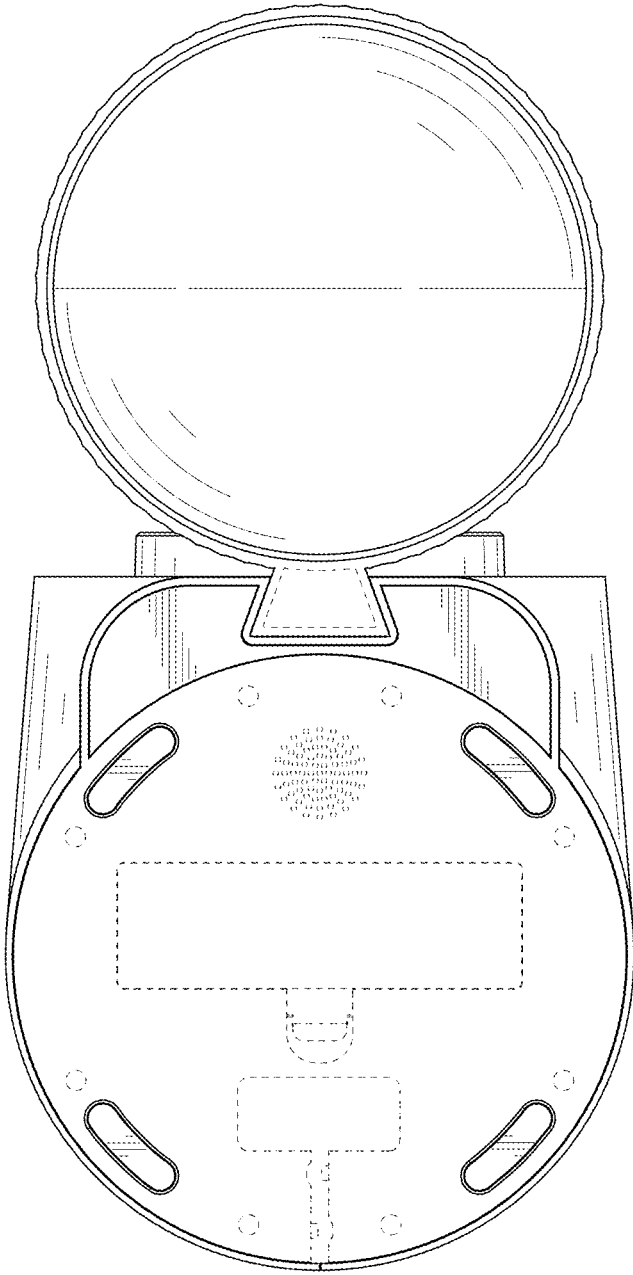


FIG. 8

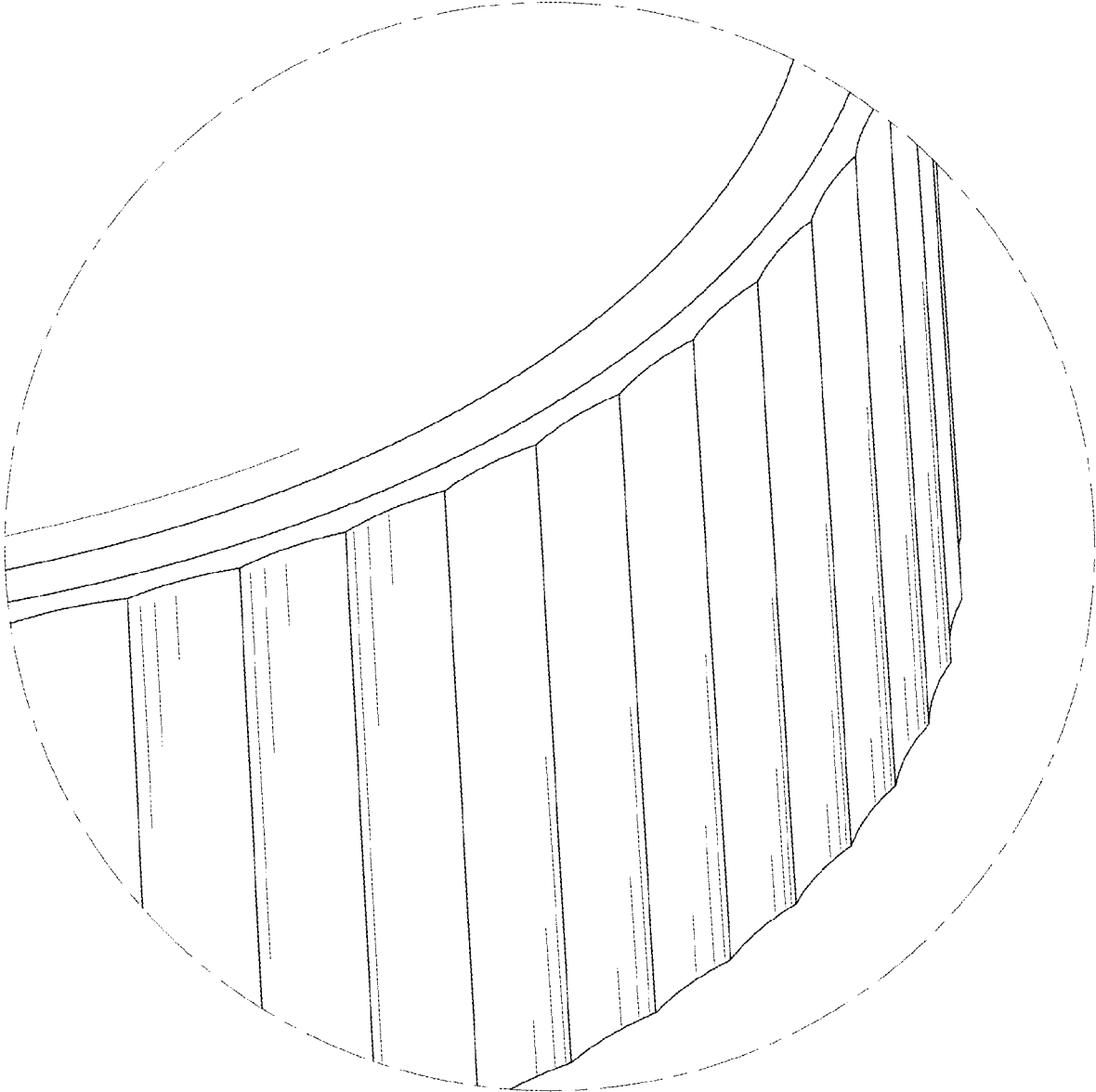


FIG. 9