



US00D917877S

(12) **United States Design Patent**  
**Frazier**

(10) **Patent No.:** **US D917,877 S**

(45) **Date of Patent:** **\*\* May 4, 2021**

(54) **HOLSTER**

(71) Applicant: **Ryan James Frazier**, Rydal, GA (US)

(72) Inventor: **Ryan James Frazier**, Rydal, GA (US)

(\*\*) Term: **15 Years**

(21) Appl. No.: **29/721,928**

(22) Filed: **Jan. 24, 2020**

(51) **LOC (13) Cl.** ..... **03-01**

(52) **U.S. Cl.**  
USPC ..... **D3/222**

(58) **Field of Classification Search**

USPC ..... D3/222, 215, 218, 226; 224/163, 197,  
224/665, 682, 901.4, 191-193, 238, 198,  
224/243-244, 911-912, 669, 672, 661,  
224/587, 576

CPC ..... A45F 2200/0591; F41C 33/0236; F41C  
33/0281; F41C 33/0227; F41C 33/048

See application file for complete search history.

(56) **References Cited**

**U.S. PATENT DOCUMENTS**

4,378,082 A \* 3/1983 Chica ..... F41C 33/0227  
224/193  
7,314,152 B1 \* 1/2008 Garrett ..... F41C 33/0236  
224/192

D773,806 S \* 12/2016 Laemmlen ..... F41C 33/048  
D3/222  
D798,585 S \* 10/2017 Laemmlen ..... D3/222  
D831,338 S \* 10/2018 Laemmlen ..... D3/222  
D874,818 S \* 2/2020 Schlang ..... D3/226  
2014/0117064 A1 \* 5/2014 Evans ..... F41C 33/048  
224/587

\* cited by examiner

*Primary Examiner* — Catherine R Oliver-Garcia

(57) **CLAIM**

The ornamental design for a holster, as shown and described.

**DESCRIPTION**

FIG. 1 is a front-top perspective view of a holster showing my new design;

FIG. 2 is a front-bottom perspective view thereof;

FIG. 3 is a rear-top perspective view thereof;

FIG. 4 is a rear-bottom perspective view thereof;

FIG. 5 is a front elevational view thereof;

FIG. 6 is a rear elevational view thereof;

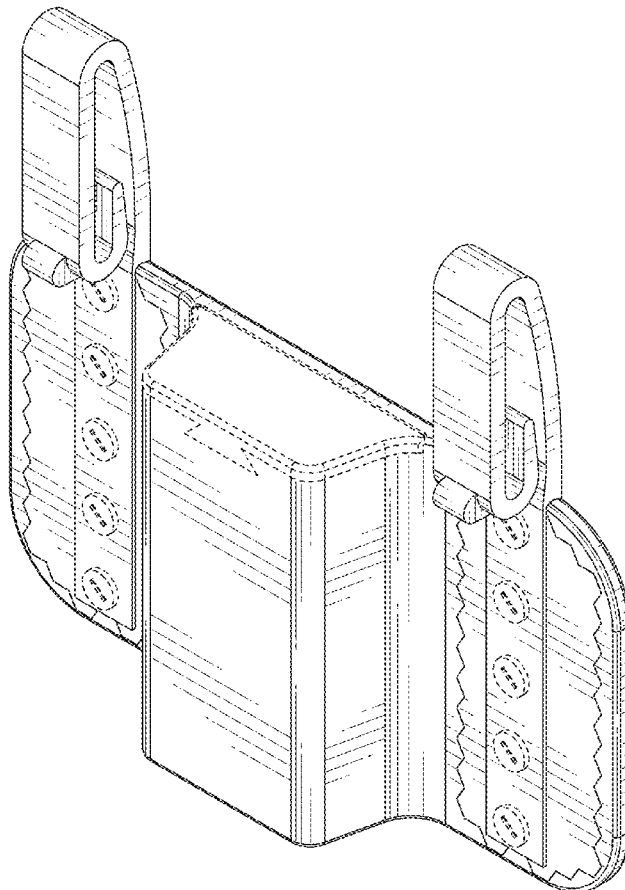
FIG. 7 is a right elevational view thereof where the left elevational view is mirrored thereto;

FIG. 8 is a top plan view thereof; and,

FIG. 9 is a bottom plan view thereof.

The broken lines shown are for illustrative purposes only and form no part of the claimed design.

**1 Claim, 9 Drawing Sheets**



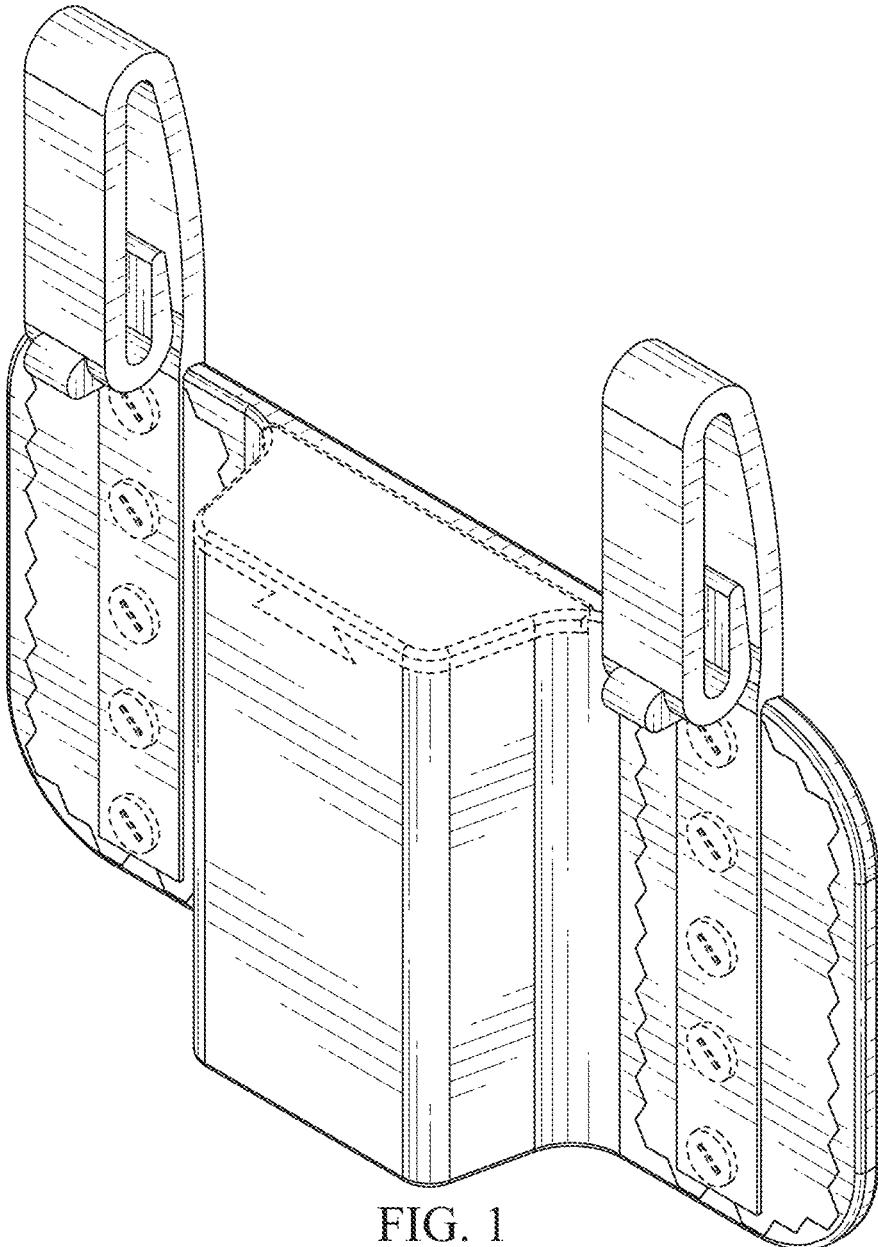


FIG. 1

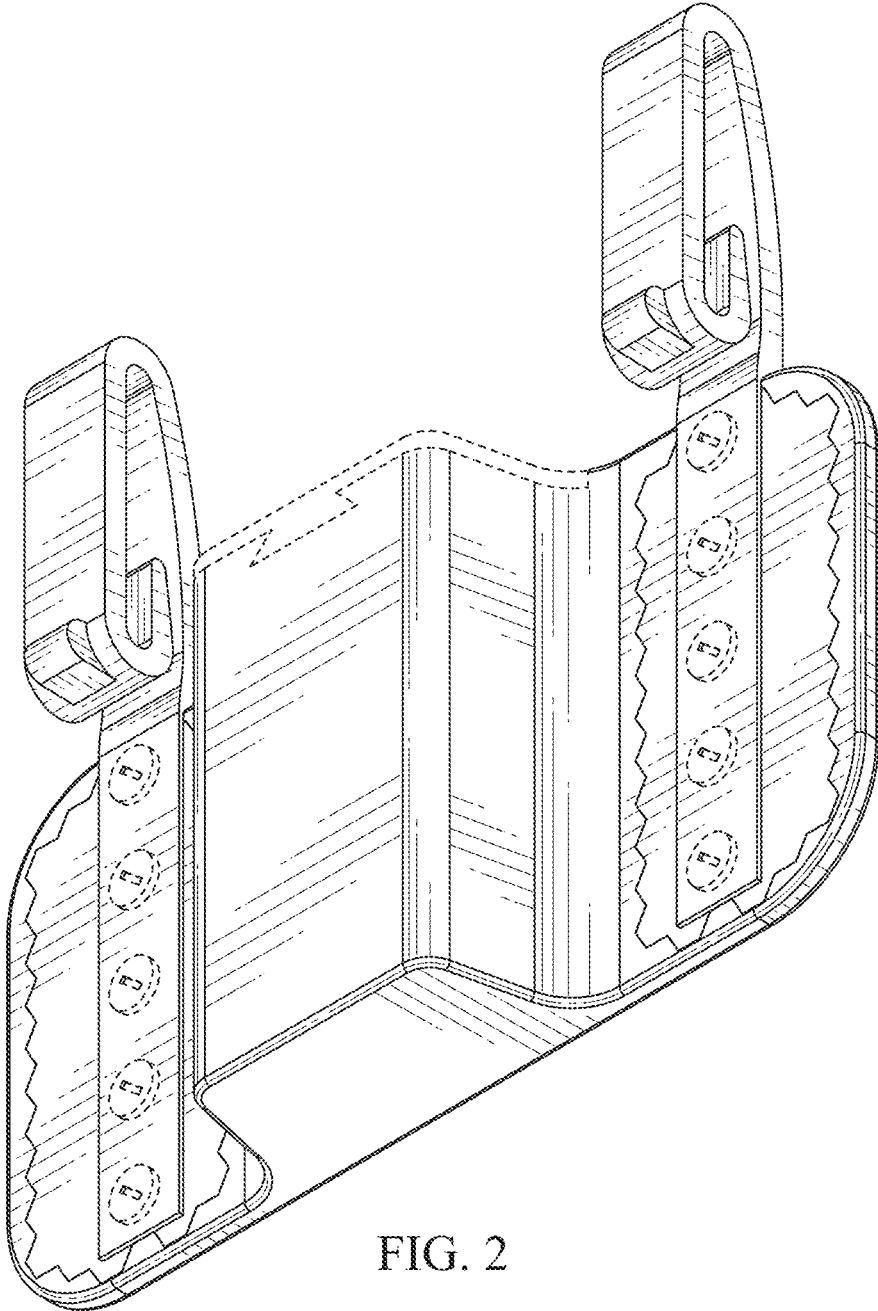


FIG. 2

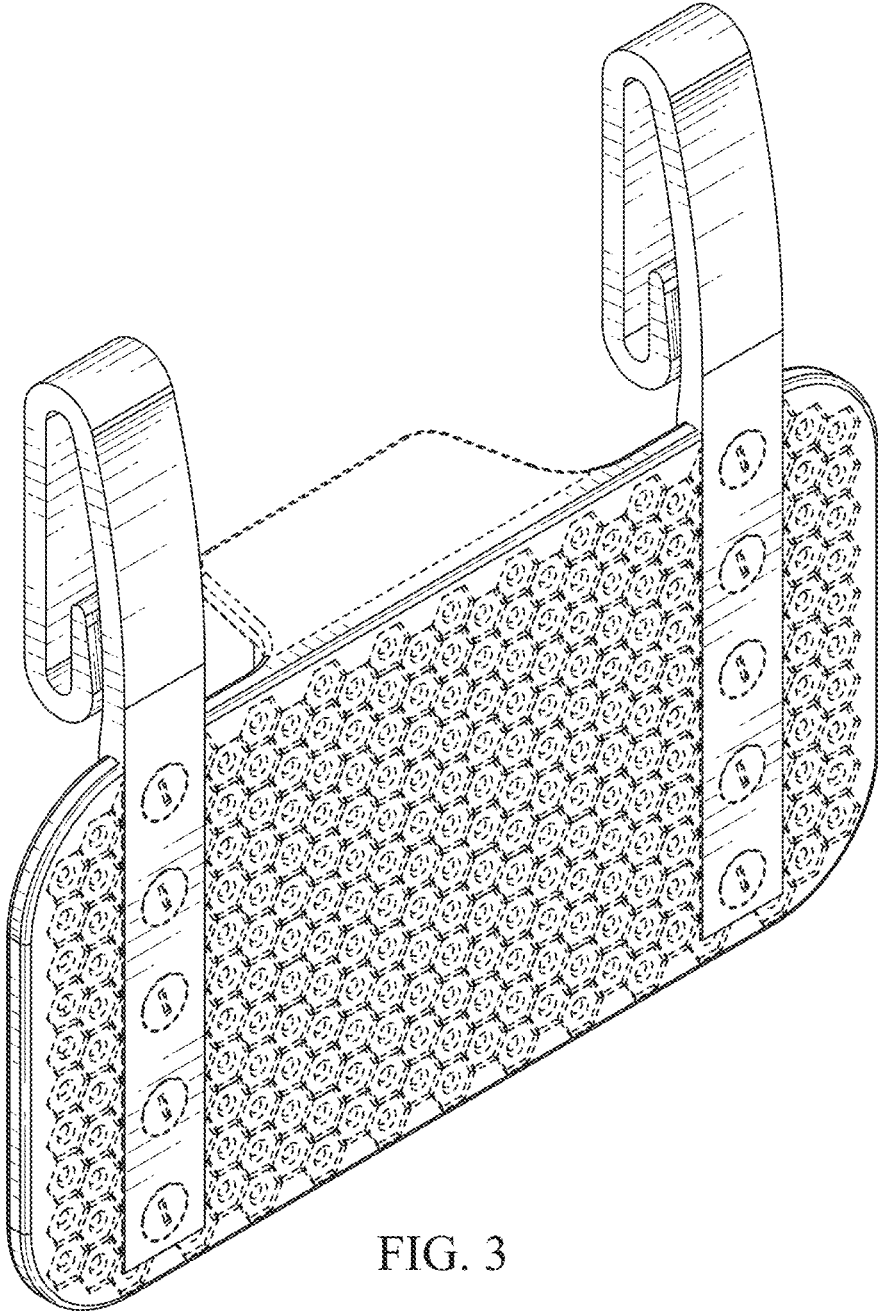


FIG. 3

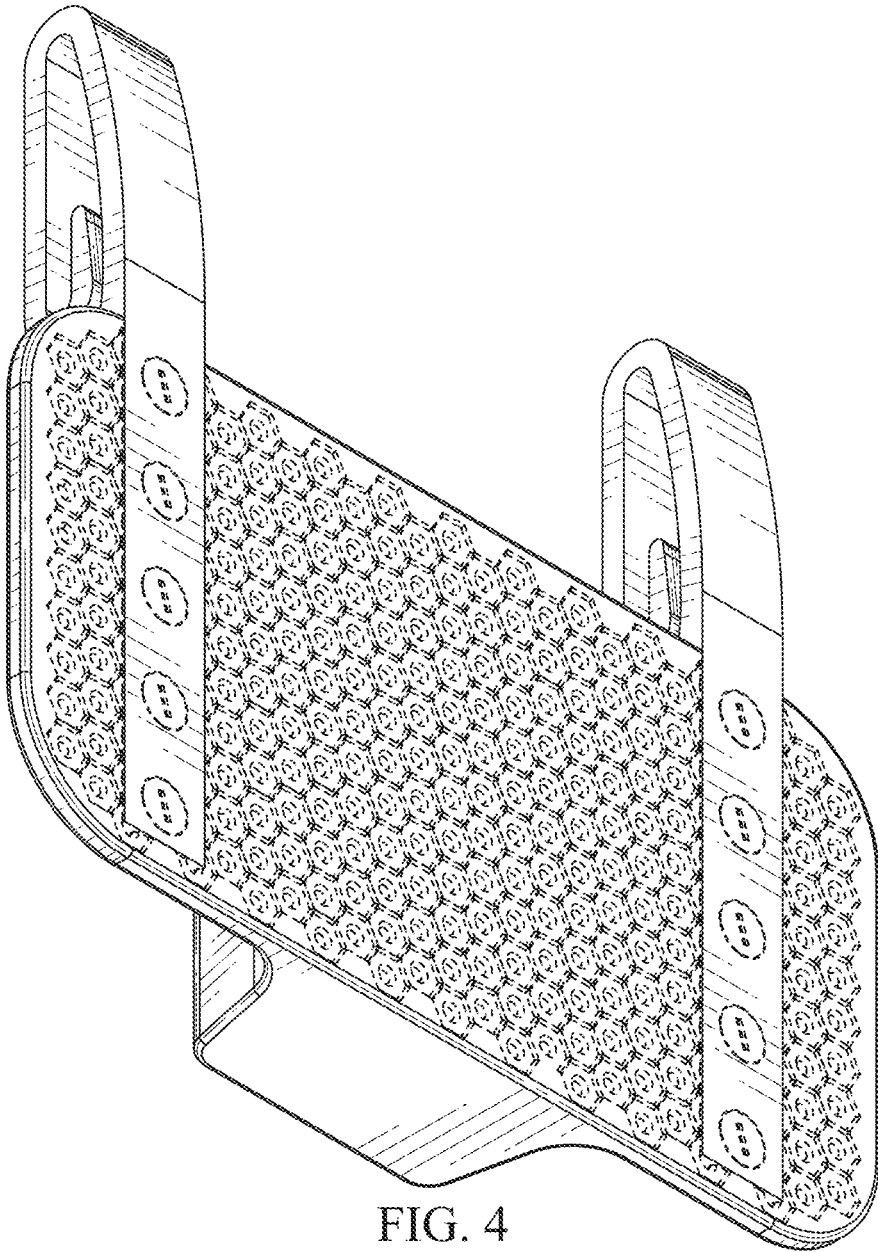


FIG. 4

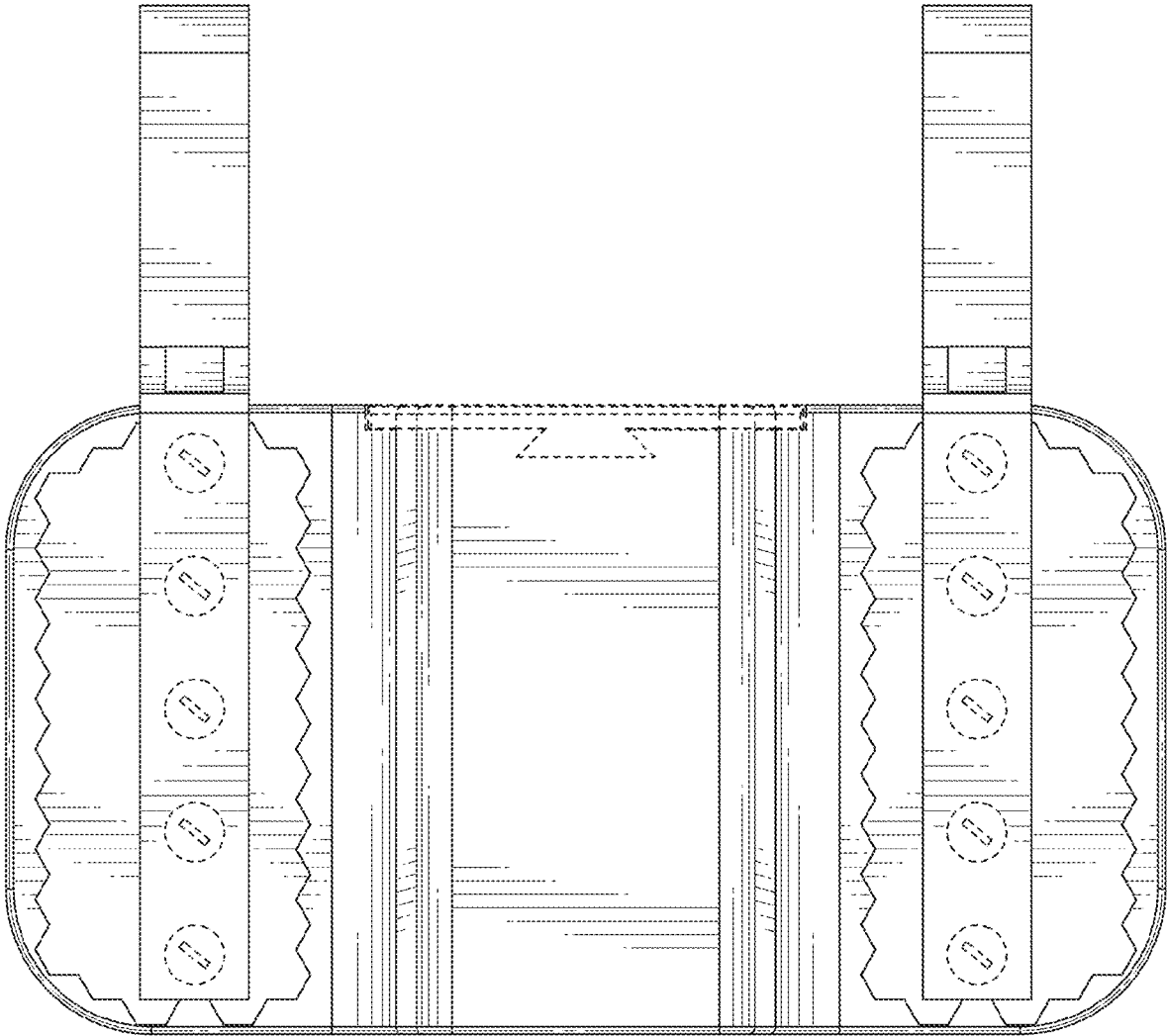


FIG. 5

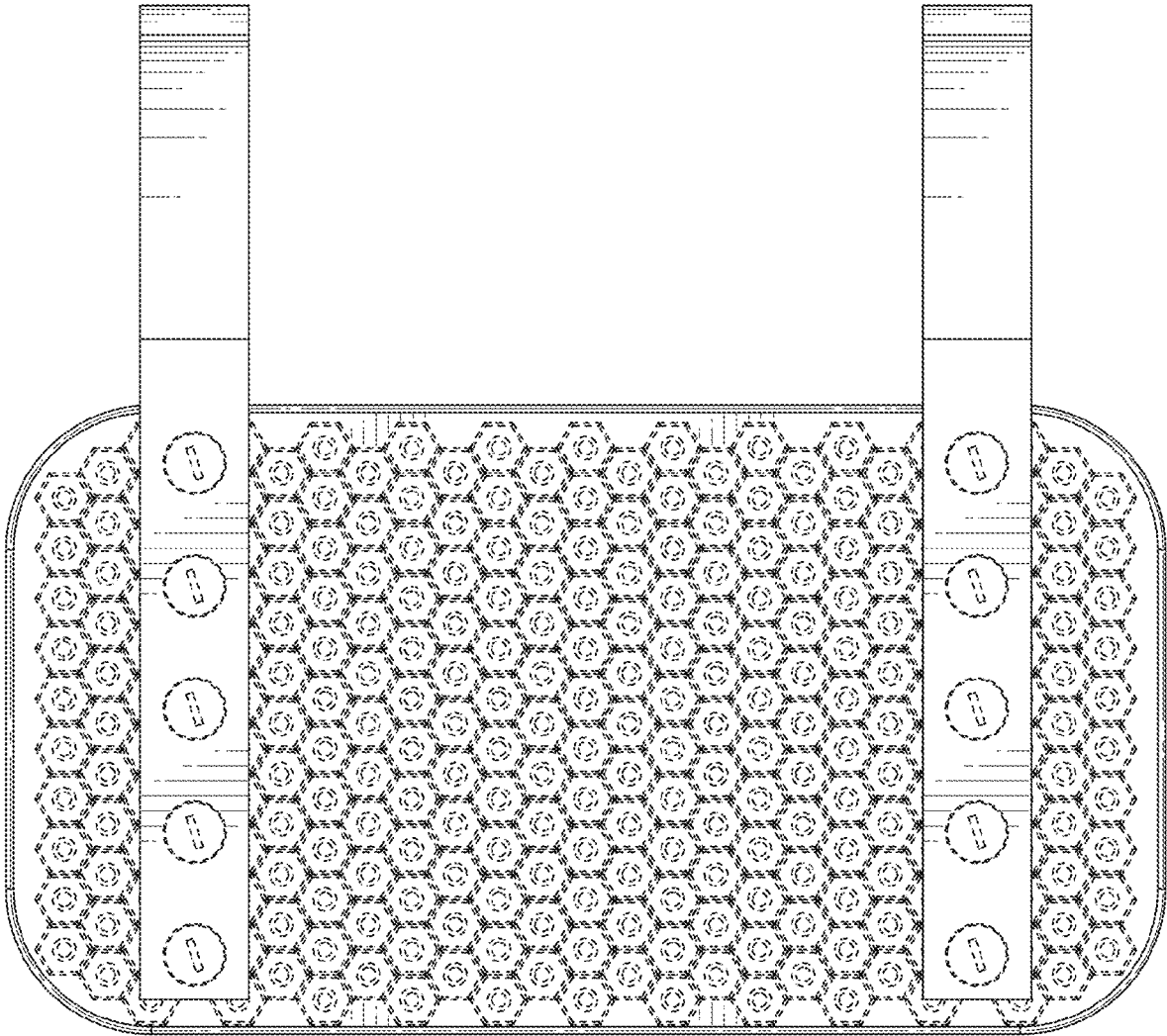


FIG. 6

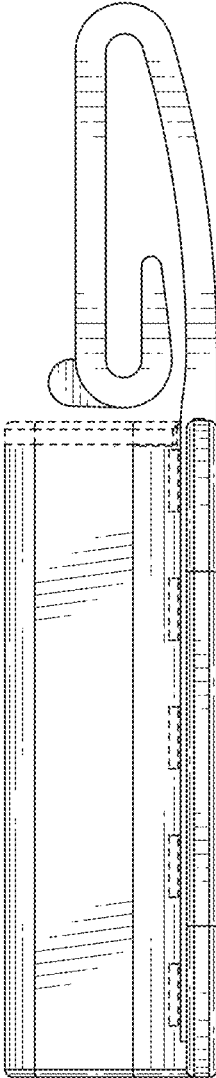


FIG. 7



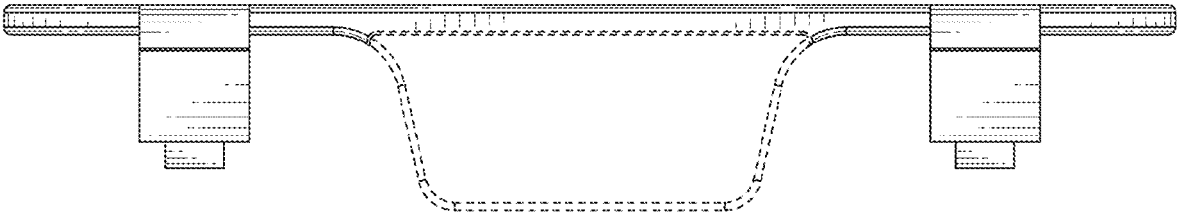


FIG. 8

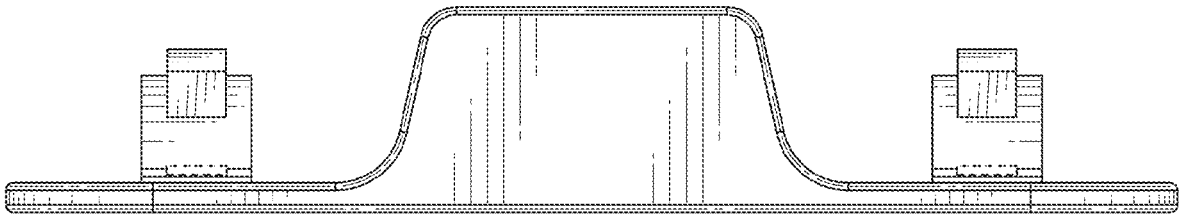


FIG. 9