

[54] TOY ROBOT

[75] Inventor: Tomotoshi Matsui, Tokyo, Japan

[73] Assignee: Tomy Kogyo, Inc., Tokyo, Japan

[**] Term: 14 Years

[21] Appl. No.: 637,170

[22] Filed: Aug. 2, 1984

[30] Foreign Application Priority Data

Feb. 7, 1984 [JP] Japan 59-3833

[52] U.S. Cl. D21/150

[58] Field of Search D21/150; 446/290, 291,
446/94, 97, 99, 100, 376, 487

[56] References Cited

U.S. PATENT DOCUMENTS

D. 258,900 4/1981 Lanusse D21/150

OTHER PUBLICATIONS

Hong Kong Toys, 1982, p. 144, lower right, Toy Robot. Toys, Hobbies & Crafts, Feb. 1984, p. 59, Ideal Robots.

Primary Examiner—Melvin B. Feifer
Attorney, Agent, or Firm—Herb Boswell

[57] CLAIM

The ornamental design for a toy robot, substantially as shown and described.

DESCRIPTION

FIG. 1 is an isometric view of a toy robot embodying my new design;
FIG. 2 is a right side elevational view thereof;
FIG. 3 is a front elevational view thereof;
FIG. 4 is a back elevational view thereof;
FIG. 5 is a left side elevational view thereof;
FIG. 6 is a top plan view thereof; and
FIG. 7 is a bottom plan view thereof.

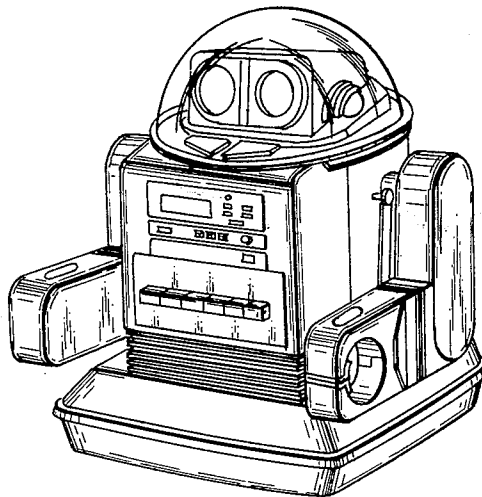


Fig. 1

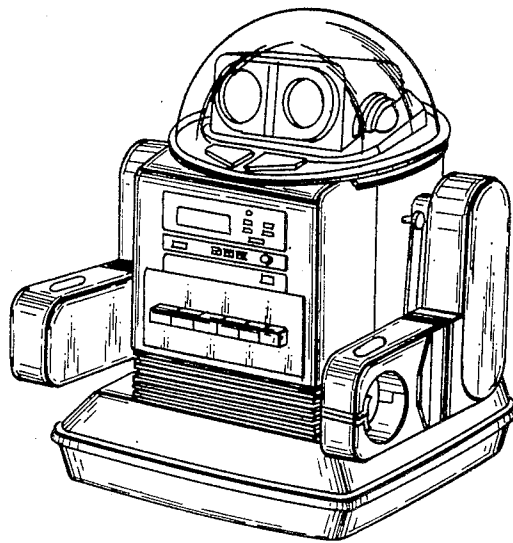


Fig. 2

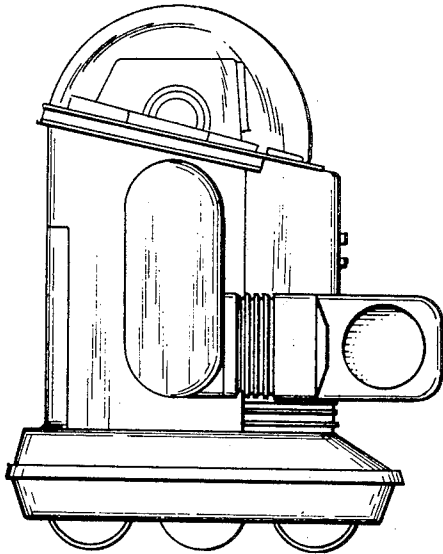


Fig. 3

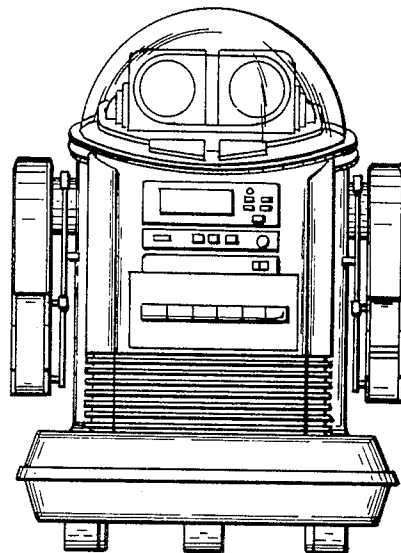


FIG. 4

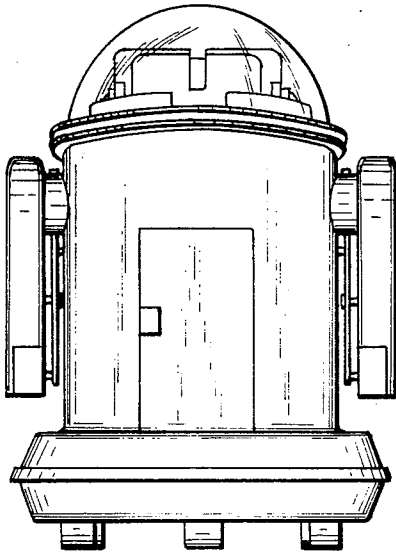


FIG. 5

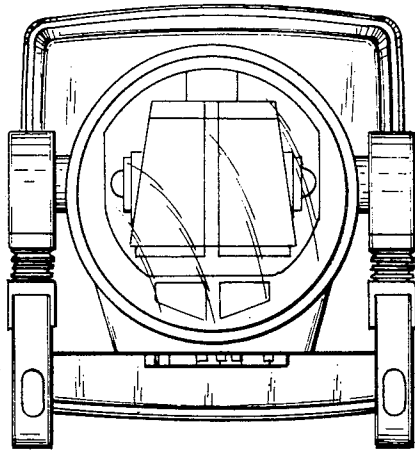
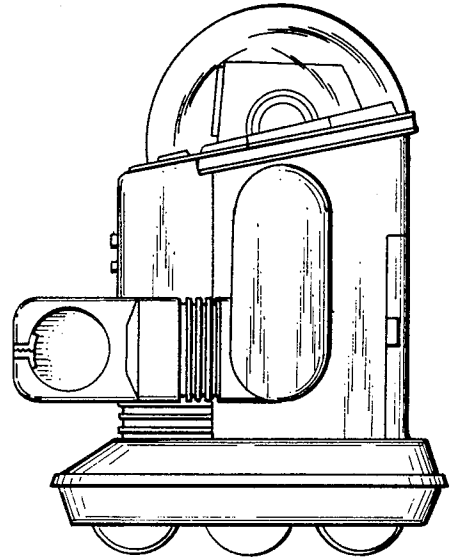


FIG. 6

FIG. 7

