



US00D772008S

(12) **United States Design Patent** (10) **Patent No.:** **US D772,008 S**
McConnell et al. (45) **Date of Patent:** **** Nov. 22, 2016**

(54) **BLENDER**
(71) Applicant: **Whirlpool Corporation**, Benton Harbor, MI (US)
(72) Inventors: **John W. McConnell**, St. Joseph, MI (US); **Brandon T. Mock**, St. Joseph, MI (US); **ZhaoYi Yin**, Benton Harbor, MI (US)
(73) Assignee: **Whirlpool Corporation**, Benton Harbor, MI (US)

D181,541 S * 11/1957 Madl D7/378
D187,684 S * 4/1960 Hauser D7/378
D200,494 S * 3/1965 Bezark D7/378
5,323,973 A 6/1994 Ferrara, Jr.
5,655,834 A 8/1997 Dickson
5,957,577 A 9/1999 Dickson et al.
D424,865 S 5/2000 Crescenzi et al.
D484,357 S * 12/2003 Seum D7/378
7,520,663 B1 4/2009 Kolar et al.
D594,697 S * 6/2009 Lavy D7/386
D595,087 S 6/2009 Metaxatos et al.

(Continued)

(**) Term: **14 Years**

FOREIGN PATENT DOCUMENTS

(21) Appl. No.: **29/519,320**

WO 2005051149 6/2005

(22) Filed: **Mar. 4, 2015**

Primary Examiner — Ricky Pham

(51) **LOC (10) Cl.** **31-00**

(52) **U.S. Cl.**
USPC **D7/412; D7/376; D7/378; D7/386; D7/413**

(57) **CLAIM**
We claim the ornamental design for a blender, as shown and described.

(58) **Field of Classification Search**
USPC D7/372, 376–386, 412–413, 602, 629, D7/665–666, 669, 679, 693–694
CPC A21C 1/02; A21C 1/04; A23N 1/00; A23N 1/02; A47J 43/04; A47J 43/25; A47J 43/27; A47J 43/042; A47J 43/044; A47J 43/046; A47J 43/075; A47J 43/0722; A47J 43/0727; B01F 3/00; B01F 3/0807; B01F 3/0853; B01F 13/0059; B01F 13/0064; B02C 1/08; B02C 2/04; B02C 4/42; B02C 4/142; B02C 4/143; B02C 4/423; B02C 13/1835; B28C 5/10; B28C 5/12; B28C 5/14; B28C 5/16

DESCRIPTION

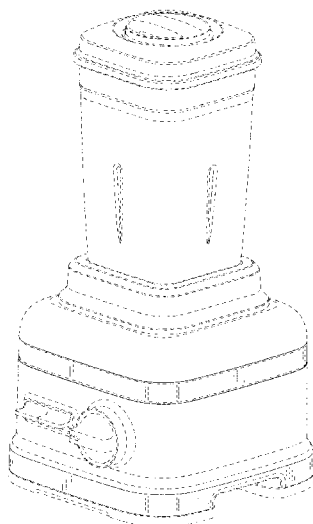
See application file for complete search history.

FIG. 1 is a front perspective view of the blender of the present invention;
FIG. 2 is a rear perspective view of the blender of FIG. 1;
FIG. 3 is a front elevation view of the blender of FIG. 1;
FIG. 4 is a rear elevation view of the blender of FIG. 1;
FIG. 5 is a first-side elevation view of the blender of FIG. 1;
FIG. 6 is a second-side elevation view of the blender of FIG. 1;
FIG. 7 is a top plan view of the blender of FIG. 1; and,
FIG. 8 is a bottom plan view of the blender of FIG. 1.
The broken lines shown in the drawings are for illustrative purposes only and form no part of the claimed design.

(56) **References Cited**
U.S. PATENT DOCUMENTS

2,304,476 A 12/1942 Poplawski
D176,257 S * 12/1955 Hill D7/378

1 Claim, 7 Drawing Sheets



(56)

References Cited

U.S. PATENT DOCUMENTS

D616,244	S *	5/2010	Thai	D7/378	8,287,180	B2	10/2012	Kolar et al.	
7,712,951	B2	5/2010	Bohannon, Jr. et al.		8,360,480	B2	1/2013	Athey et al.	
D631,282	S *	1/2011	Ferraby	D7/384	D711,682	S *	8/2014	Norland	D7/376
7,871,195	B2	1/2011	Larsen et al.		D731,234	S *	6/2015	Weaden	D7/376
D642,858	S *	8/2011	Lazzer	D7/376	D747,135	S *	1/2016	Ha	D7/376
8,087,603	B2	1/2012	Kolar et al.		D755,004	S *	5/2016	Bock	D7/376
					2005/0152215	A1	7/2005	Stuart et al.	
					2008/0089170	A1	4/2008	Larsen et al.	
					2009/0260523	A1	10/2009	Peng	

* cited by examiner

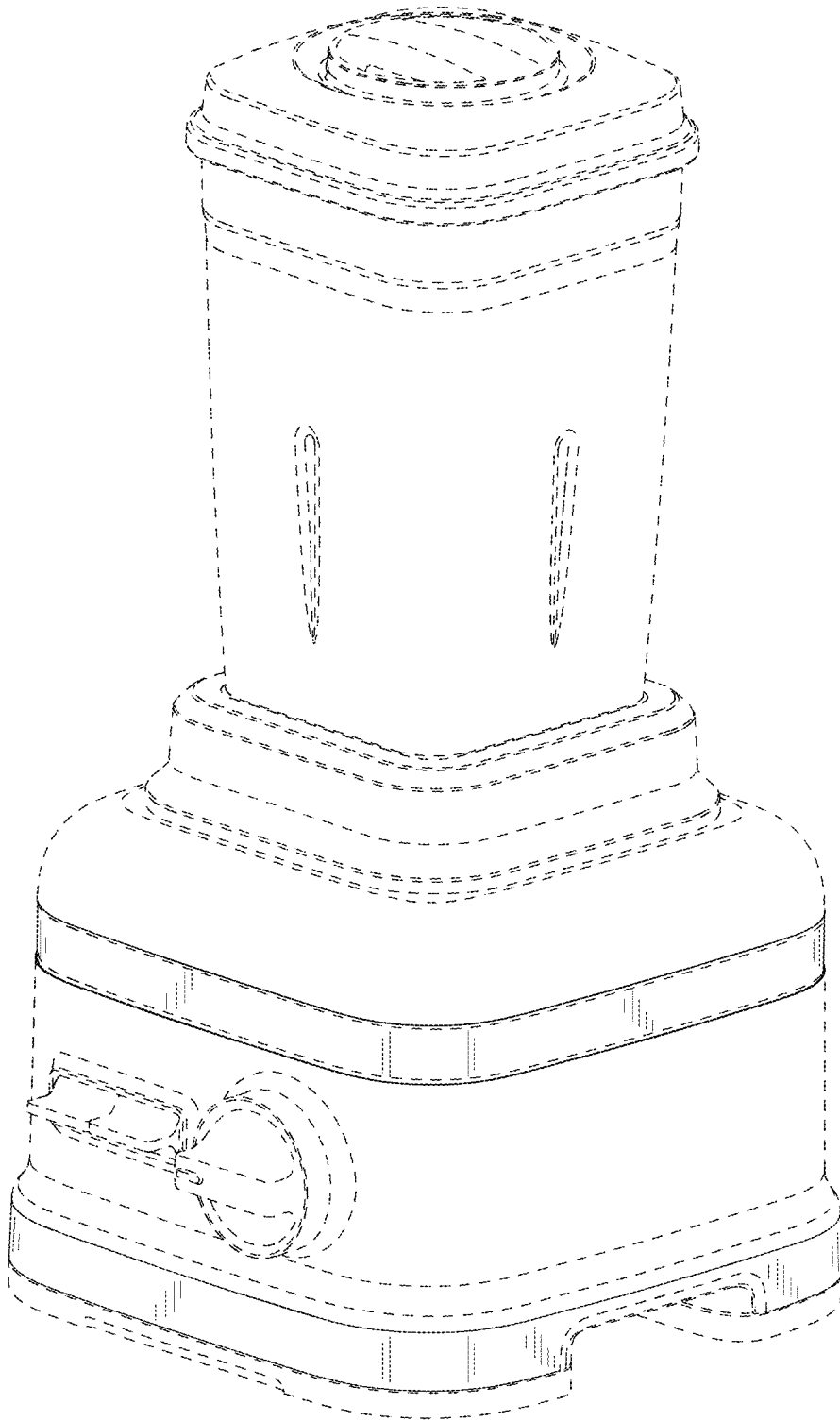


FIG. 1

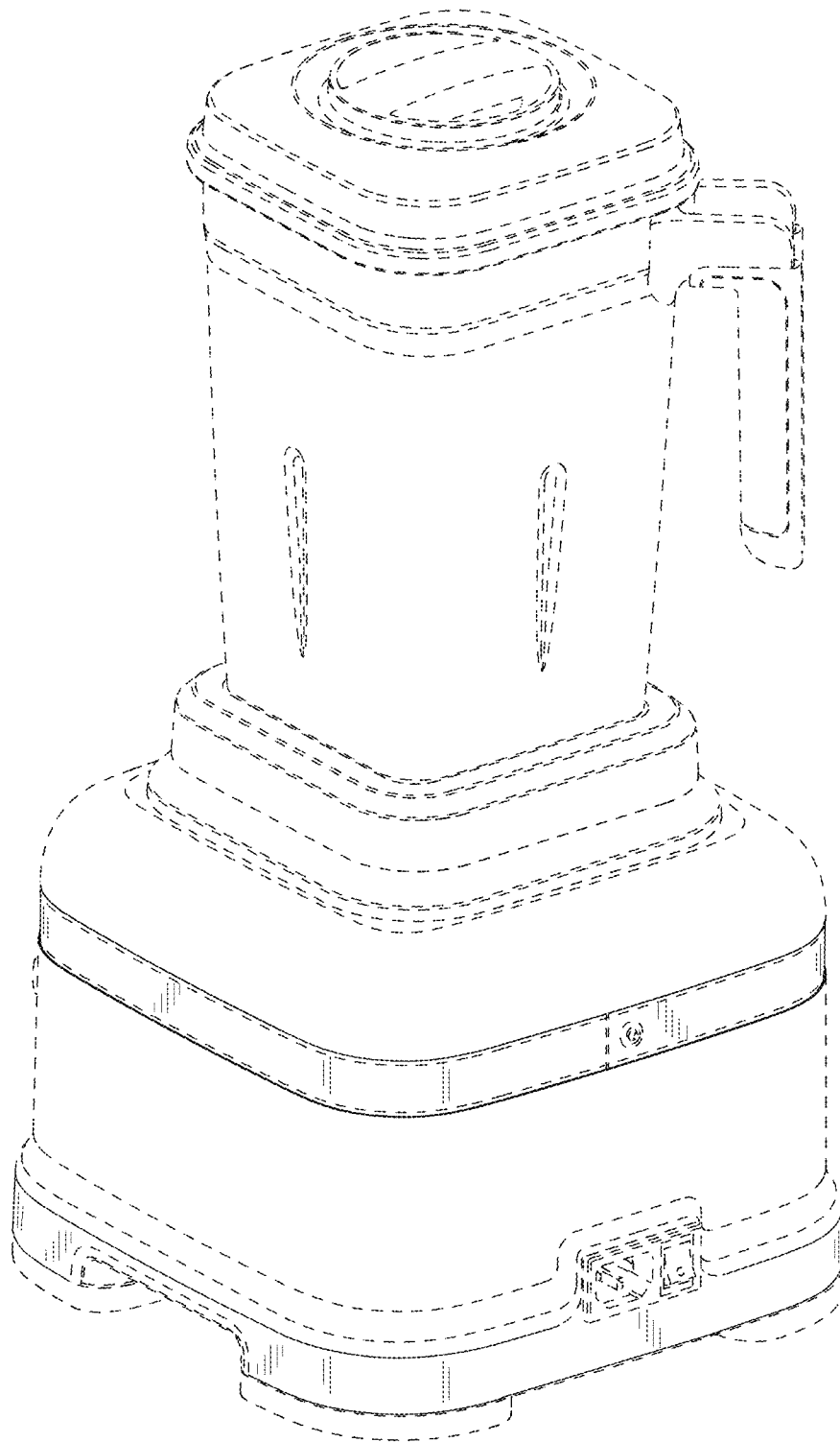


FIG. 2

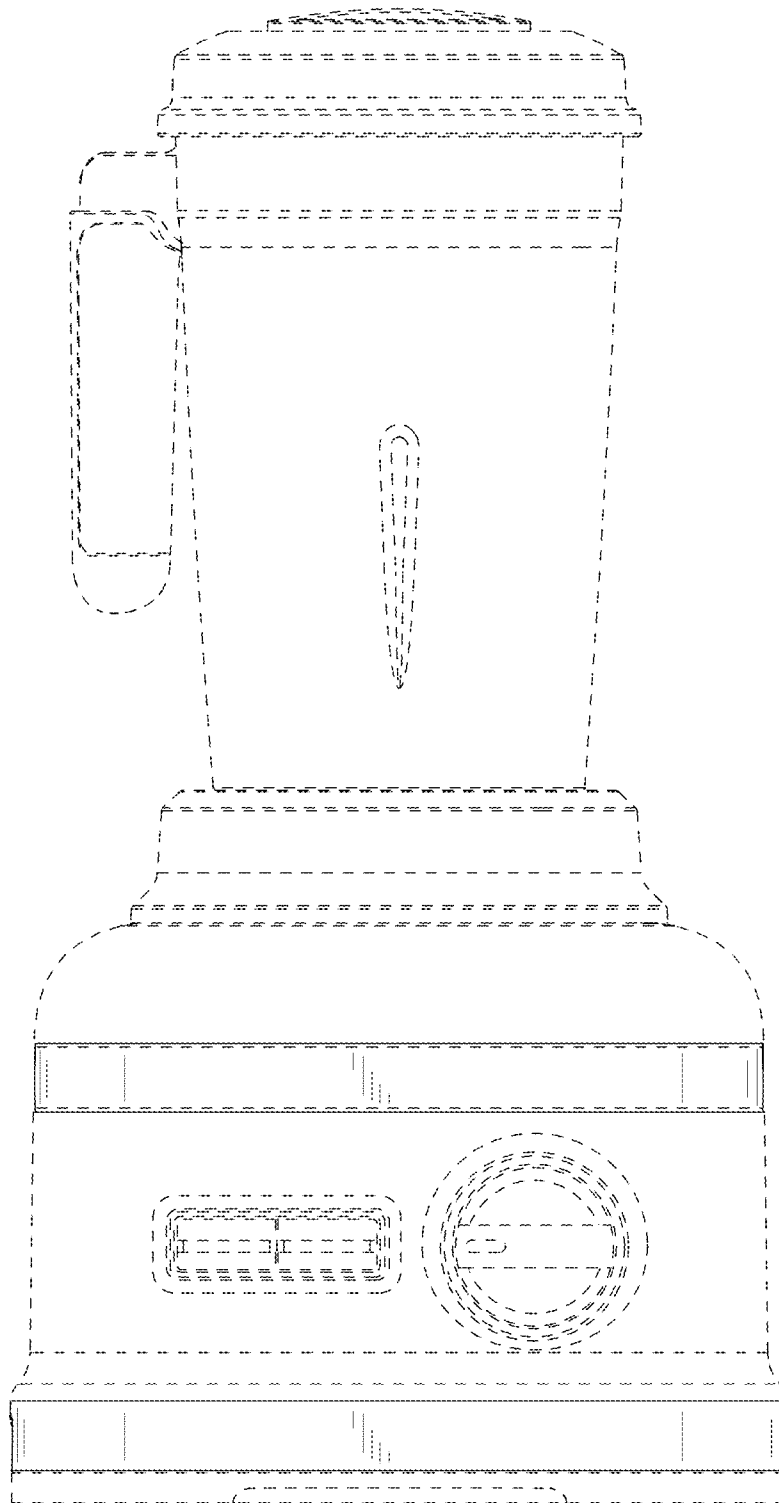


FIG. 3

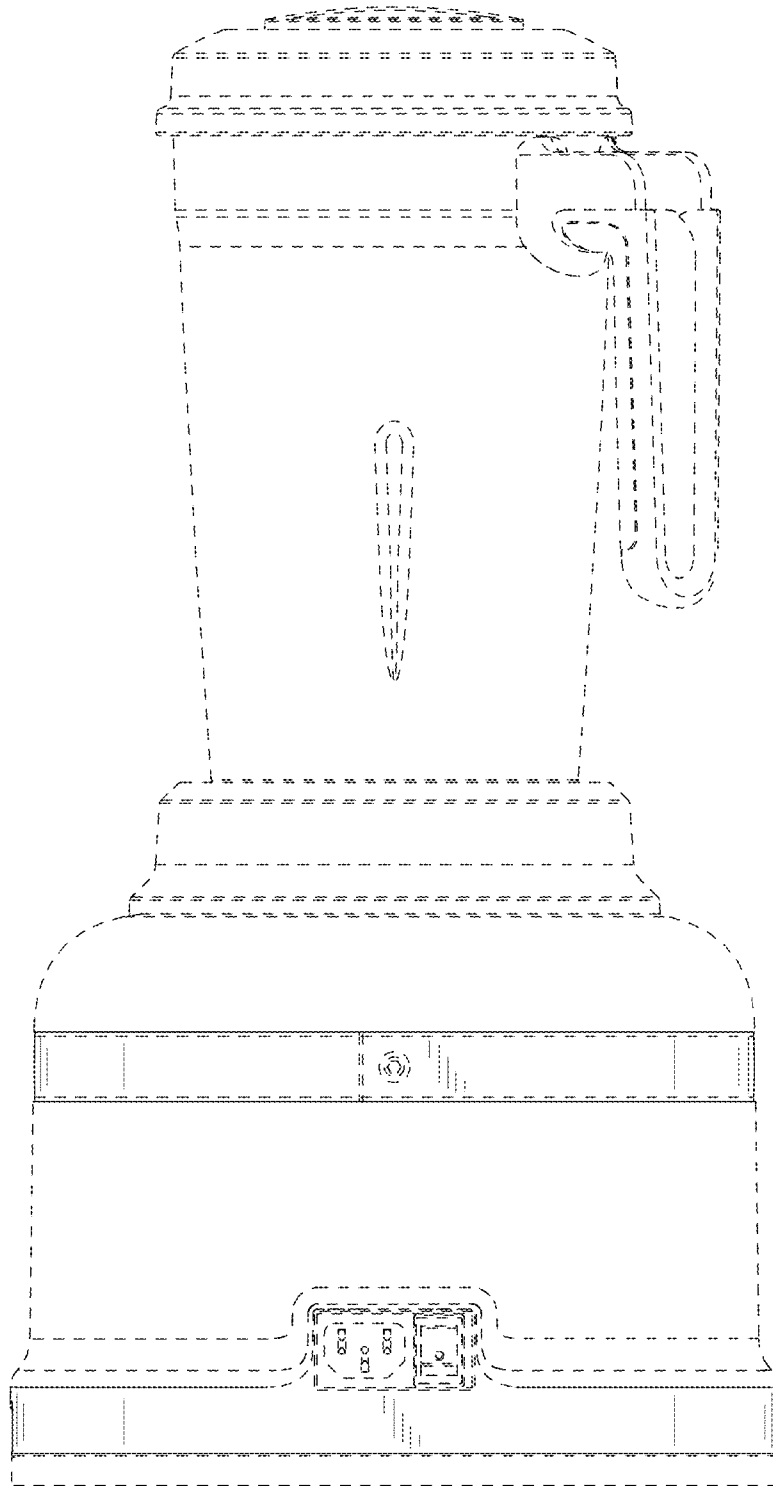


FIG. 4

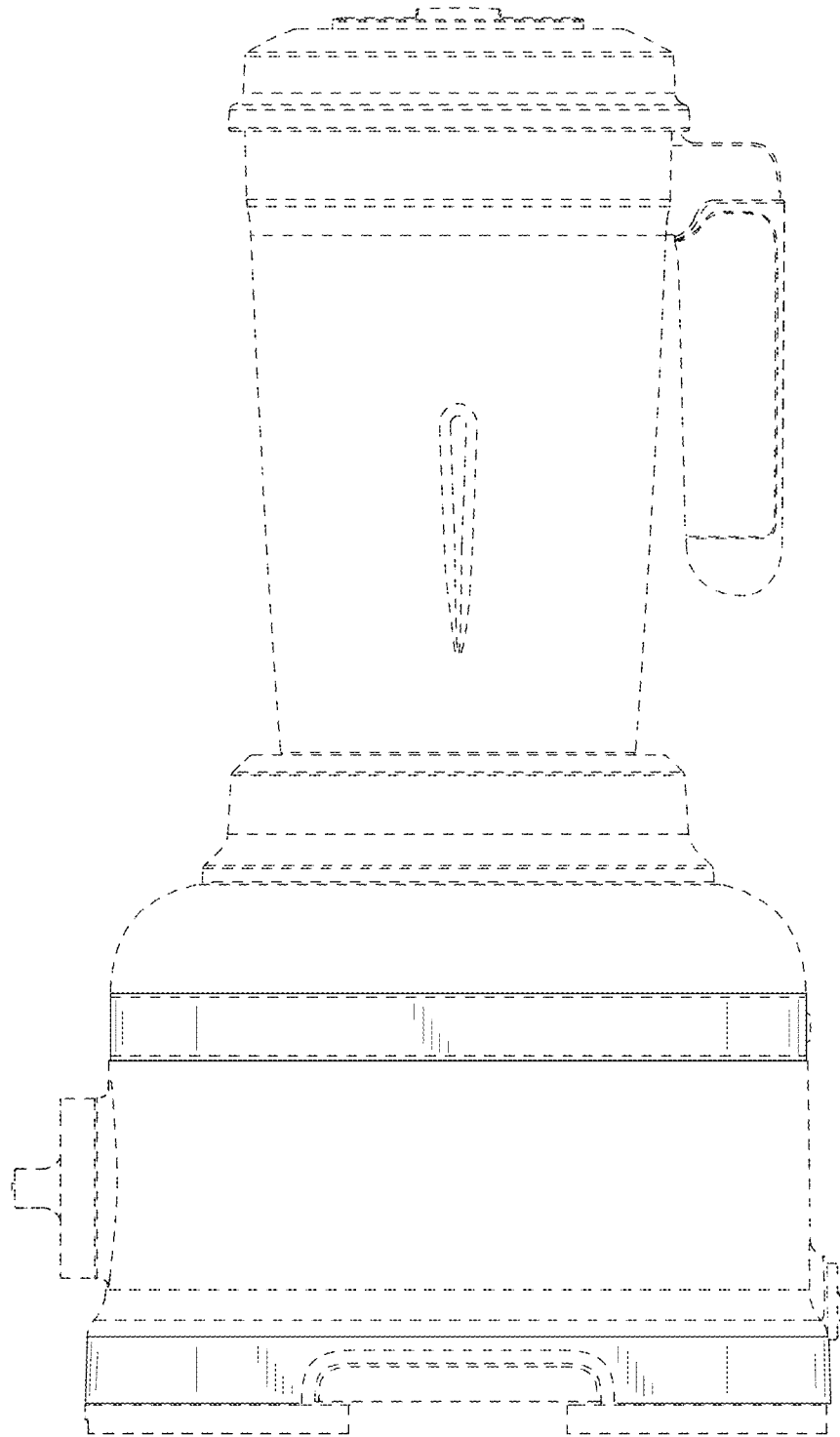


FIG. 5

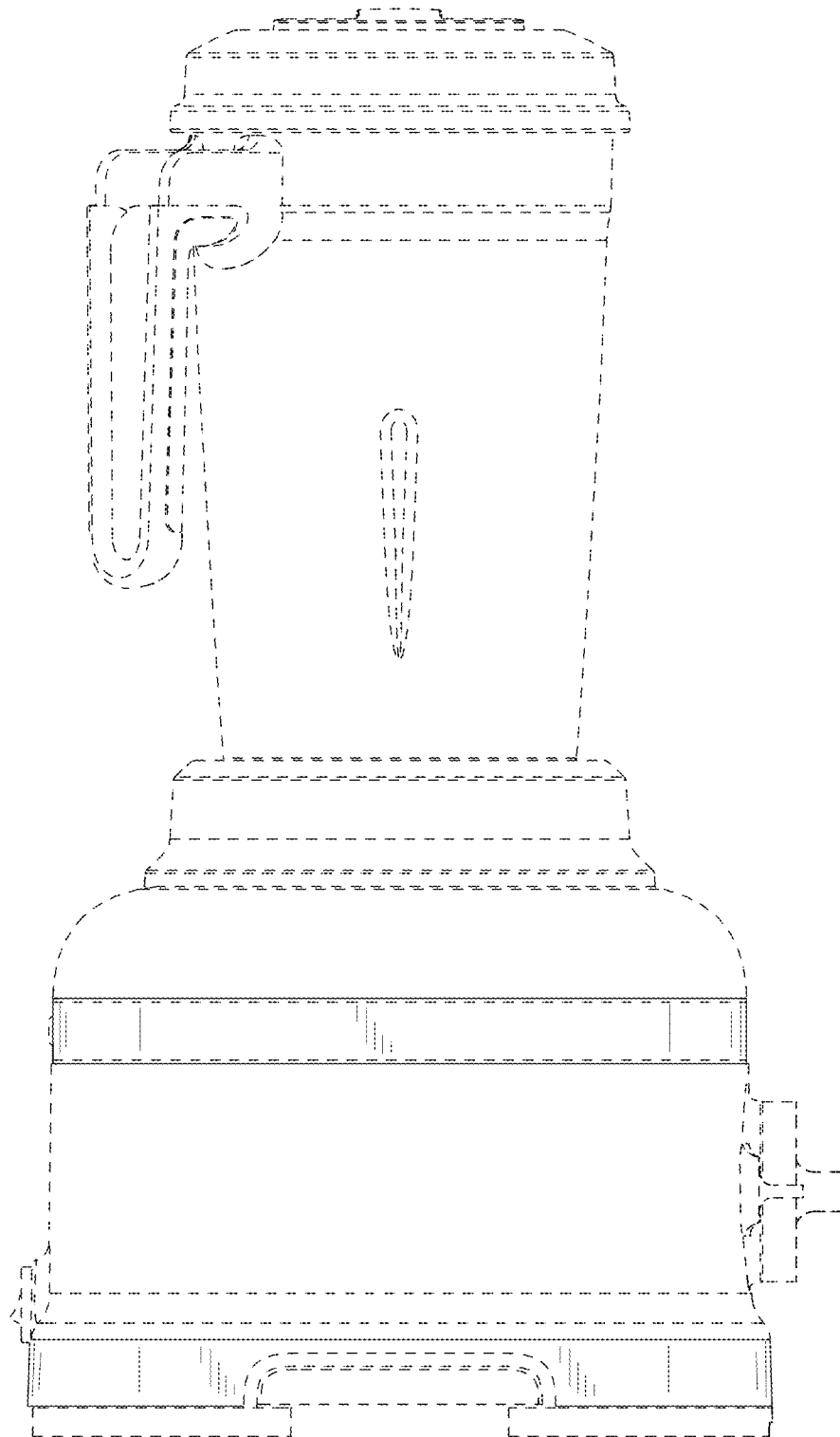


FIG. 6

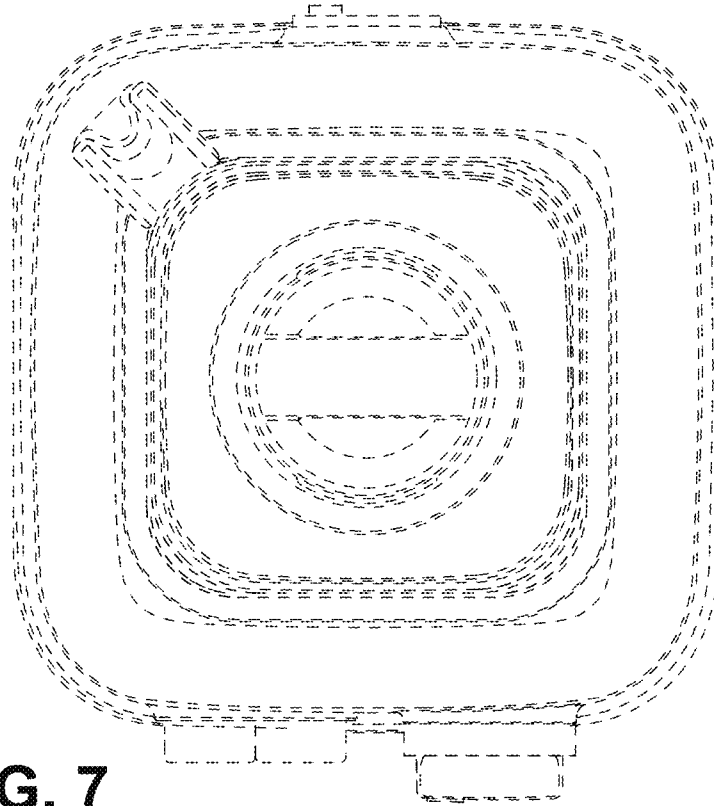


FIG. 7

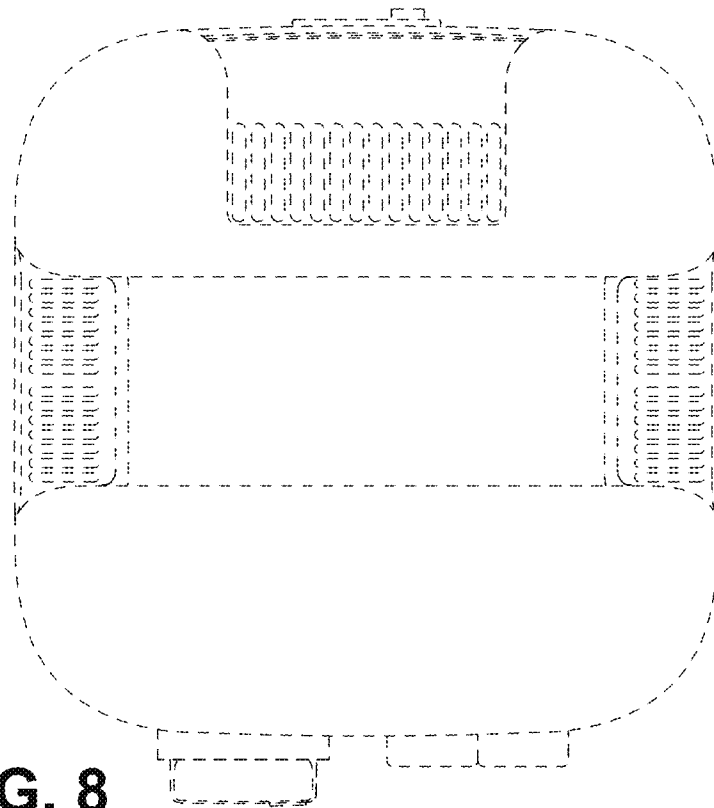


FIG. 8