



US0D1030312S

(12) **United States Design Patent**
Kane et al.

(10) **Patent No.:** **US D1,030,312 S**
(45) **Date of Patent:** **** Jun. 11, 2024**

(54) **WALLET-MOUNTED WIRELESS DEVICE HOLDER**

FOREIGN PATENT DOCUMENTS

(71) Applicant: **The Ridge Wallet LLC**, Santa Monica, CA (US)

CN 304692057 S 6/2018
CN 306789903 8/2021

(Continued)

(72) Inventors: **Daniel Kane**, Santa Monica, CA (US);
Yi Hong, Ladera Ranch, CA (US)

OTHER PUBLICATIONS

(**) Term: **15 Years**

Amazon.com, Site visited Nov. 15, 2023, TenCloud Clip Holder for Airtags, Date first available, Nov. 15, 2018, <https://www.amazon.com/TenCloud-Anti-Slip-Silicone-Protector-Portable/dp/B07D6Q49LZ> (Year: 2018).*

(Continued)

(21) Appl. No.: **29/811,291**

(22) Filed: **Oct. 13, 2021**

(51) **LOC (14) Cl.** **03-01**

Primary Examiner — Brett Miller

(52) **U.S. Cl.**

Assistant Examiner — Jessica M Gebhart

USPC **D3/249**

(74) *Attorney, Agent, or Firm* — K&L Gates LLP; Brian J. Novak; Giorgios N. Kefallinos

(58) **Field of Classification Search**

USPC D3/201, 247, 248, 249, 250, 302, 318, D3/303, 218, 208; D6/300; D9/418, D9/426; D20/22, 43; D19/26, 86; D14/250, 251, 440, 218, 344, 432; D8/105, 395; D10/103, 106.9, 121, 126
CPC B65D 75/22; B65D 81/02; B65D 83/12; G02B 25/005; G02B 6/0081; G09F 23/0066; G09F 1/10; G09F 3/18; G03B 21/64; A47G 1/065; A47G 1/12; A45C 11/182; A45C 1/06; A45C 15/00; A45C 11/00; A45C 13/185; G07B 3/12; G06K 19/02; G06K 19/07345; A45F 5/00

See application file for complete search history.

(57) **CLAIM**

The ornamental design of a wallet-mounted wireless device holder, as shown and described.

DESCRIPTION

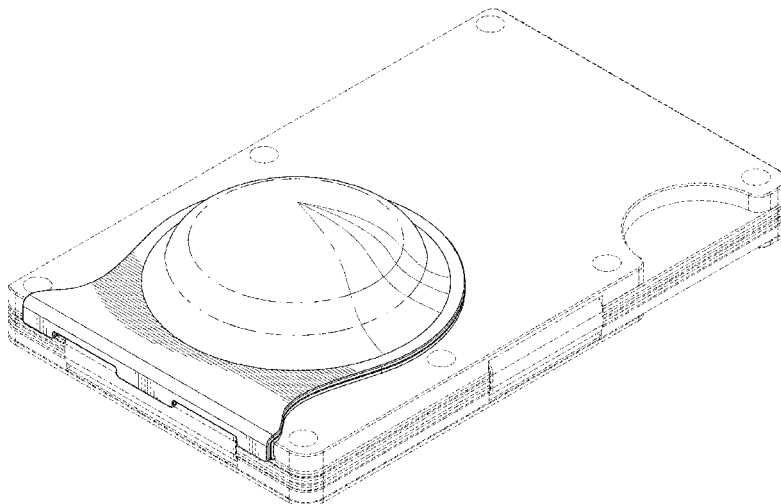
FIG. 1 is a back, top, and right side perspective view of a wallet-mounted wireless device holder; FIG. 2 is a back, bottom, and left side perspective view thereof; FIG. 3 is a front plan view thereof; FIG. 4 is a back plan view thereof; FIG. 5 is a right plan view thereof; FIG. 6 is a left plan view thereof; FIG. 7 is a top plan view thereof; and, FIG. 8 is a bottom plan view thereof. The dashed broken lines in the drawings show portions of the wallet-mounted wireless device holder that form no part of the claimed design.

(56) **References Cited**

U.S. PATENT DOCUMENTS

11,348 A 7/1854 Andrews
1,525,745 A 2/1925 Keefer
2,322,461 A 6/1943 Mariano
2,409,019 A 10/1946 Cree
D168,398 S 12/1952 Gazan
3,139,977 A * 7/1964 Burdick A45C 15/00
4,477,928 A 10/1984 Graff 206/0.81
(Continued)

1 Claim, 6 Drawing Sheets



(56)

References Cited

U.S. PATENT DOCUMENTS

4,675,953	A	6/1987	Higgs	D844,322	S	4/2019	Bo
D301,017	S	5/1989	Norman	D851,928	S	6/2019	Moore
4,918,299	A	4/1990	Ohmori	D860,645	S	9/2019	Wu
5,038,985	A	8/1991	Chapin	D866,962	S	11/2019	Parsons
5,077,869	A	1/1992	Haase	D866,964	S	11/2019	Tran et al.
5,103,884	A	4/1992	Roman	D867,757	S	11/2019	Justiss
5,249,437	A	10/1993	Cole	D868,463	S	12/2019	Tran et al.
5,328,026	A	7/1994	Newman	10,529,258	B1	1/2020	Brown et al.
5,540,367	A	7/1996	Kauker	D878,039	S	3/2020	Cantoli-Alves et al.
D372,358	S	8/1996	Mathison	D884,338	S	5/2020	Liu
5,617,751	A	4/1997	Song	D887,132	S	* 6/2020	Puglisi D3/249
D383,701	S	9/1997	Fletcher	D895,963	S	9/2020	Anderson
D385,417	S	10/1997	White et al.	D896,506	S	9/2020	Anderson
D390,493	S	2/1998	Fletcher	10,791,808	B2	10/2020	Kane
D393,813	S	4/1998	Herd	D902,194	S	11/2020	Gluck
D400,466	S	11/1998	Gleason	D903,312	S	12/2020	Bauer et al.
5,944,080	A	8/1999	Podwika	D904,386	S	* 12/2020	Luo D3/218
5,952,637	A	9/1999	Strunk	D934,560	S	11/2021	Tran et al.
6,044,967	A	4/2000	Painsith	D936,505	S	11/2021	Umair
6,094,747	A	8/2000	Malick	D938,165	S	12/2021	Schillings
D431,341	S	* 9/2000	DiPaolo D3/208	D940,689	S	1/2022	Feng
D435,340	S	12/2000	Kojoori	D951,632	S	5/2022	Tran et al.
D461,427	S	8/2002	Braner	D954,435	S	6/2022	Yang
D463,055	S	9/2002	Layne	D956,415	S	7/2022	Tran et al.
D505,337	S	5/2005	Cooper	D960,017	S	8/2022	Wu
6,962,253	B1	11/2005	McZeek	D961,252	S	8/2022	Ying
D512,835	S	* 12/2005	Hunter, Jr. D3/249	11,399,608	B2	8/2022	Huang et al.
6,971,147	B2	12/2005	Halstead	11,420,316	B2	8/2022	Liang et al.
D534,584	S	1/2007	Goldberg	D964,735	S	9/2022	Zeng
D537,752	S	3/2007	Goldberg	D970,887	S	11/2022	Kalbach
D538,704	S	3/2007	Kaminski	D972,841	S	12/2022	Tran et al.
D561,469	S	2/2008	Jensen et al.	D974,346	S	1/2023	Xie
7,334,616	B2	2/2008	Kaminski	D974,945	S	1/2023	Deng
D576,912	S	9/2008	Yuengling	D975,998	S	1/2023	Yang
D591,044	S	4/2009	Lakhiani	D976,576	S	1/2023	Sirichai
7,527,081	B2	5/2009	Coates	D976,582	S	1/2023	Del Moral et al.
D596,508	S	7/2009	Warren	D976,583	S	1/2023	Wu
D620,785	S	* 8/2010	St. Germaine D8/395	D977,831	S	2/2023	Zeng
7,810,683	B2	10/2010	Chan	D978,530	S	2/2023	Lu
D628,795	S	12/2010	Sanders	D979,936	S	3/2023	Zeng
D632,695	S	2/2011	Berntsen	11,596,212	B2	3/2023	Kane
D647,810	S	* 11/2011	Bohrer D10/106.9	D983,520	S	4/2023	Zeng
D653,967	S	2/2012	Blake	D990,563	S	6/2023	Kane
8,255,018	B2	8/2012	Plaster	D991,346	S	7/2023	Kane
D676,618	S	2/2013	Kalbach	D1,000,830	S	10/2023	Wang
8,381,360	B2	2/2013	Preston-Hall	D1,002,192	S	10/2023	Wang
D677,193	S	3/2013	MacDonald	11,793,283	B1	10/2023	Zhang
D679,618	S	4/2013	Dumas	D1,003,599	S	11/2023	Sande et al.
D690,931	S	10/2013	Minn et al.	D1,007,146	S	12/2023	Lin
8,567,460	B1	10/2013	Lentsch	11,839,277	B1	12/2023	Peng
D695,013	S	12/2013	Minn et al.	2004/0103500	A1	6/2004	Ward
D703,267	S	* 4/2014	Harvey Pennaz D19/86	2005/0023157	A1	2/2005	Logan
8,726,952	B2	5/2014	Jambunathan et al.	2008/0083829	A1	4/2008	Lowe
D707,584	S	6/2014	Webb	2009/0094795	A1	4/2009	Lazarus
D716,043	S	10/2014	Wilk	2009/0211062	A1	8/2009	Preston-Hall
D717,197	S	11/2014	Kinsky	2010/0139049	A1	6/2010	Glickfield
8,914,949	B2	12/2014	Thomson et al.	2011/0308972	A1	12/2011	Streem
D721,610	S	1/2015	Tavone	2012/0180917	A1	7/2012	Armstrong
D730,225	S	* 5/2015	Behar D10/103	2013/0206055	A1	8/2013	Moran Wexler
D739,778	S	* 9/2015	Vu D10/126	2013/0276943	A1	10/2013	Minn
9,125,464	B2	9/2015	Minn et al.	2014/0233181	A1	8/2014	Harms
D740,155	S	10/2015	Vang	2015/0059936	A1	3/2015	Singer
D751,889	S	3/2016	Thitges	2015/0059937	A1	3/2015	Singer
9,314,074	B2	4/2016	Johnson et al.	2015/0083289	A1	3/2015	Johnson
9,404,291	B1	8/2016	White	2015/0335113	A1	11/2015	Minn et al.
D768,114	S	* 10/2016	Hou D14/218	2015/0342314	A1	12/2015	Christy
D768,383	S	10/2016	Wu	2016/0022000	A1	1/2016	Tucker-Skow et al.
D768,635	S	* 10/2016	Due D14/432	2016/0324283	A1	11/2016	Kane
D769,143	S	10/2016	Warren	2017/0065047	A1	3/2017	Van Der Laan
D770,775	S	11/2016	Robertson, III	2018/0027935	A1	2/2018	Laatz
D795,252	S	* 8/2017	Chung D14/344	2019/0208046	A1	7/2019	Gluck
D811,730	S	3/2018	Pullum	2019/0380458	A1	12/2019	Muldowney, Jr.
9,907,371	B2	3/2018	Ross	2020/0337426	A1	10/2020	Huang et al.
D814,184	S	4/2018	Parsons	2021/0337945	A1	11/2021	Popoff
D835,410	S	12/2018	Chan et al.	2022/0240635	A1	8/2022	Timpson et al.
				2023/0109615	A1	4/2023	Kane
				2023/0189949	A1	6/2023	Kane
				2023/0210232	A1	7/2023	Kane
				2023/0225470	A1	7/2023	Kane

(56)

References Cited

U.S. PATENT DOCUMENTS

2023/0232947 A1 7/2023 Kane
 2023/0284758 A1 9/2023 Espartero
 2023/0413962 A1 12/2023 Kane

FOREIGN PATENT DOCUMENTS

CN	306806204	*	9/2021
CN	307103944		2/2022
CN	307863259		2/2023
DM	219325		3/2022
EM	008644611-0001		8/2021
EM	008934491-0001		4/2022
EM	008934491-0002		4/2022
EM	0089441777-0003		4/2022
EM	015001951-0001		11/2022
EM	015001951-0002		11/2022
EM	015001953-0001		11/2022
EM	015001953-0002		11/2022
EP	0251900 B1		7/1990
EP	4070683 A1		10/2022
EP	4079183 A1		10/2022
GB	6198997		3/2022
HK	2219606-0002		7/2022
JP	D1736723		2/2023
JP	D1736774		2/2023
KR	3011929580002		11/2022
KR	3011929580003		11/2022
KR	3011929580004		11/2022
KR	3011929580005		11/2022
WO	2016/179586 A1		11/2016

OTHER PUBLICATIONS

Amazon.com, Site visited Nov. 15, 2023, JETech Silicone Case for AirTag, Date first available, Jun. 30, 2021, <https://www.amazon.com/JETech-Silicone-Compatible-Protective-Portable/dp/B0989XH127> (Year: 2021).*

“Smart Wallet,” archived by WayBack Machine on Aug. 28, 2016, www.storus.com, site visited Nov. 22, 2023: <https://web.archive.org/web/20160828215330/http://www.storus.com/> (Year: 2016).

Delila Minimalist Slim Wallet for Men, available to the public no later than Jun. 20, 2021 based on customer photo review, [amazon.com](https://www.amazon.com) [online], [site visited Dec. 13, 2023], Available at URL: <https://www.amazon.com/dp/B0CFPYJXL5/?t1> (Year:2021).

Design U.S. Appl. No. 29/919,214, filed Dec. 1, 2023.

Design U.S. Appl. No. 29/919,216, filed Dec. 1, 2023.

Design U.S. Appl. No. 29/919,218, filed Dec. 1, 2023.

Shenzhen Pincan Technology Co., Ltd.—Petition for Inter Partes Review of U.S. Pat. No. 10,791,808, dated Jan. 2, 2024, IPR2024-00340, United States Patent Trial and Appeal Board, and exhibits thereto (2024).

Kimberly K. Cameron Ph.D.—Expert Report of Dr. Kimberly K. Cameron Ph.D. Regarding Invalidity of U.S. Pat. No. 10,791,808, Dated Aug. 25, 2023, Served and Stricken in ITC Case No. 337-TA-1355, Washington DC, USA.

Dr. Thomas R. Kurfess—Rebuttal Expert Report of Dr. Thomas R. Kurfess Regarding Alleged Invalidity and Materiality, Dated Sep. 19, 2023, Served and Mooted in ITC Case No. 337-TA-1355, Washington DC, USA.

Third-Party Submission under 37 CFR 1.290, filed in Design U.S. Appl. No. 29/812,273, filed Apr. 17, 2023.

The Ridge: Front Pocket Wallet (Kickstarter), Published May 23, 2013, URL: <https://www.kickstarter.com/projects/124039987/the-bridge-front-pocket-wallet>, archived by the Wayback Machine, URL: <https://web.archive.org/web/20130523102304/https://www.kickstarter.com/projects/124039987/the-bridge-front-pocket-wallet>.

Smart Money Clip (Storus), Published Sep. 26, 2016, URL: <https://www.storus.com>, archived by the Wayback Machine, URL: <https://web.archive.org/web/20160926120005/http://www.storus.com/>.

URL: <https://www.grid-wallet.com/>, Published Jan. 29, 2018, archived by the Wayback Machine, URL: <https://web.archive.org/web/20180129191446/https://www.grid-wallet.com/>.

URL: <https://www.grid-wallet.com/>, Published Aug. 26, 2018, archived by the Wayback Machine, URL: <https://web.archive.org/web/20180826165157/https://www.grid-wallet.com/>.

Third-Party Submission under 37 CFR 1.290, filed in Design U.S. Appl. No. 29/812,274, filed Apr. 17, 2023.

Third-Party Submission under 37 CFR 1.290, filed in Design U.S. Appl. No. 29/813,522, filed Apr. 17, 2023.

Third-Party Submission under 37 CFR 1.290, filed in Design U.S. Appl. No. 29/813,523, filed Apr. 17, 2023.

Third-Party Submission under 37 CFR 1.290, filed in Design U.S. Appl. No. 29/813,524, filed Apr. 17, 2023.

Third-Party Submission under 37 CFR 1.290, filed in Design U.S. Appl. No. 29/813,525, filed Apr. 17, 2023.

Third-Party Submission under 37 CFR 1.290, filed in Design U.S. Appl. No. 29/813,527, filed Apr. 17, 2023.

Third-Party Submission under 37 CFR 1.290, filed in Design U.S. Appl. No. 29/813,529, filed Apr. 17, 2023.

Third-Party Submission under 37 CFR 1.290, filed in Design U.S. Appl. No. 29/813,530, filed Apr. 17, 2023.

Third-Party Submission under 37 CFR 1.290, filed in Design U.S. Appl. No. 29/813,531, filed Apr. 17, 2023.

Third-Party Submission under 37 CFR 1.290, filed in Design U.S. Appl. No. 29/813,532, filed Apr. 17, 2023.

Third-Party Submission under 37 CFR 1.290, filed in Design U.S. Appl. No. 29/813,533, filed Apr. 17, 2023.

Third-Party Submission under 37 CFR 1.290, filed in Design U.S. Appl. No. 29/813,537, filed Apr. 17, 2023.

Third-Party Submission under 37 CFR 1.290, filed in Design U.S. Appl. No. 29/813,615, filed Apr. 17, 2023.

Third-Party Submission under 37 CFR 1.290, filed in Design U.S. Appl. No. 29/813,617, filed Apr. 17, 2023.

Third-Party Submission under 37 CFR 1.290, filed in Design U.S. Appl. No. 29/813,624, filed Apr. 17, 2023.

Third-Party Submission under 37 CFR 1.290, filed in Design U.S. Appl. No. 29/813,625, filed Apr. 17, 2023.

Third-Party Submission under 37 CFR 1.290, filed in Design U.S. Appl. No. 29/813,626, filed Apr. 17, 2023.

Third-Party Submission under 37 CFR 1.290, filed in Design U.S. Appl. No. 29/813,628, filed Apr. 17, 2023.

Third-Party Submission under 37 CFR 1.290, filed in Design U.S. Appl. No. 29/812,250, filed Apr. 17, 2023.

Third-Party Submission under 37 CFR 1.290, filed in Design U.S. Appl. No. 29/812,251, filed Apr. 17, 2023.

Third-Party Submission under 37 CFR 1.290, filed in Design U.S. Appl. No. 29/812,253, filed Apr. 17, 2023.

Third-Party Submission under 37 CFR 1.290, filed in Design U.S. Appl. No. 29/812,255, filed Apr. 17, 2023.

Third-Party Submission under 37 CFR 1.290, filed in Design U.S. Appl. No. 29/812,258, filed Apr. 17, 2023.

Third-Party Submission under 37 CFR 1.290, filed in Design U.S. Appl. No. 29/812,260, filed Apr. 17, 2023.

Third-Party Submission under 37 CFR 1.290, filed in Design U.S. Appl. No. 29/812,263, filed Apr. 17, 2023.

Third-Party Submission under 37 CFR 1.290, filed in Design U.S. Appl. No. 29/812,268, filed Apr. 17, 2023.

Third-Party Submission under 37 CFR 1.290, filed in Design U.S. Appl. No. 29/812,269, filed Apr. 17, 2023.

Third-Party Submission under 37 CFR 1.290, filed in Design U.S. Appl. No. 29/822,078, filed Apr. 17, 2023.

Design U.S. Appl. No. 29/896,575, filed Jul. 5, 2023, Titled “Wallet”.

Design U.S. Appl. No. 29/898,357, filed Jul. 26, 2023, Titled “Wallet”.

Design U.S. Appl. No. 29/898,360, filed Jul. 26, 2023, Titled “Wallet”.

Design U.S. Appl. No. 29/898,361, filed Jul. 26, 2023, Titled “Wallet”.

Design U.S. Appl. No. 29/898,352, filed Jul. 26, 2023, Titled “Wallet”.

(56)

References Cited

OTHER PUBLICATIONS

Design U.S. Appl. No. 29/898,353, filed Jul. 26, 2023, Titled “Wallet”.

Design U.S. Appl. No. 29/898,354, filed Jul. 26, 2023, Titled “Wallet”.

“Ridge Wallet Review” (Kickstarter) Jul. 21, 2014, Retrieved from the Internet on Jul. 8, 2016, URL: <<http://kickstarter.reviews/ridge-wallet-2/>>.

“3m Bonding Tapes” (3M) Oct. 30, 2014. Retrieved from the Internet on Jul. 11, 2016, URL:<<https://web.archive.org/web/20141030183241/http://www.ameyagroup.co.in/pdf/product%>>.

Ridge Wallet Kickstarter Campaign found at <https://www.kickstarter.com/projects/124039987/the-bridge-front-pocket-wallet>, Jan. 2013. The Ridge Wallet 2.0, <https://www.kickstarter.com/projects/124039987/the-ridge-wallet-20>, 36 pages (2013).

Design U.S. Appl. No. 29/813,614, filed Oct. 29, 2021.

Design U.S. Appl. No. 29/813,624, filed Oct. 29, 2021.

Design U.S. Appl. No. 29/813,628, filed Oct. 29, 2021.

Design U.S. Appl. No. 29/822,078, filed Jan. 5, 2022.

Design U.S. Appl. No. 29/813,617, filed Oct. 29, 2021.

International Search Report and Written Opinion, mailed Aug. 19, 2016, for International Application No. PCT/2016/031472.

Mosaic Brands, Inc. v. The Ridge Wallet LLC Appeal Index, Case No. 2:20-cv-04556-AB-JC (1703 pp.); appeal regarding, inter alia, finding of anticipation for U.S. Pat. No. 10,791,808 (2020). U.S. Appl. No. 17/490,201, filed Sep. 30, 2021.

Design U.S. Appl. No. 29/894,477, filed Jun. 9, 2023.

Mosaic Brands, Inc. v. The Ridge Wallet LLC. Opinion of Federal Circuit Reversing Summary Judgment of Invalidity. Decided: Dec. 20, 2022.

Design U.S. Appl. No. 29/813,523, filed Oct. 29, 2021.

Design U.S. Appl. No. 29/813,524, filed Oct. 29, 2021.

Design U.S. Appl. No. 29/813,615, filed Oct. 29, 2021.

Design U.S. Appl. No. 29/813,620, filed Oct. 29, 2021.

Design U.S. Appl. No. 29/813,625, filed Oct. 29, 2021.

Design U.S. Appl. No. 29/812,520, filed Oct. 20, 2021.

Design U.S. Appl. No. 29/812,251, filed Oct. 20, 2021.

Design U.S. Appl. No. 29/812,273, filed Oct. 20, 2021.

Design U.S. Appl. No. 29/812,274, filed Oct. 20, 2021.

Design U.S. Appl. No. 29/813,522, filed Oct. 29, 2021.

Design U.S. Appl. No. 29/813,525, filed Oct. 29, 2021.

Design U.S. Appl. No. 29/813,527, filed Oct. 29, 2021.

Design U.S. Appl. No. 29/813,529, filed Oct. 29, 2021.

Design U.S. Appl. No. 29/813,530, filed Oct. 29, 2021.

Design U.S. Appl. No. 29/813,531, filed Oct. 29, 2021.

Design U.S. Appl. No. 29/813,532, filed Oct. 29, 2021.

Design U.S. Appl. No. 29/813,533, filed Oct. 29, 2021.

Design U.S. Appl. No. 29/813,537, filed Oct. 29, 2021.

Design U.S. Appl. No. 29/812,253, filed Oct. 20, 2021.

Design U.S. Appl. No. 29/812,255, filed Oct. 20, 2021.

Design U.S. Appl. No. 29/812,258, filed Oct. 20, 2021.

Design U.S. Appl. No. 29/812,260, filed Oct. 20, 2021.

Design U.S. Appl. No. 29/812,263, filed Oct. 20, 2021.

Design U.S. Appl. No. 29/812,264, filed Oct. 20, 2021.

Design U.S. Appl. No. 29/812,268, filed Oct. 20, 2021.

Design U.S. Appl. No. 29/812,269, filed Oct. 20, 2021.

Design U.S. Appl. No. 29/857,719, filed Oct. 25, 2022.

The Ridge Wallet 2.0, youtube, <https://www.youtube.com/watch?v=IjwHouB9cGY&t=21s>, Oct. 10, 2013 (U.S. Appl. No. 17/035,261).

Design U.S. Appl. No. 29/894,998, filed Jun. 15, 2023.

Design U.S. Appl. No. 29/896,573, filed Jul. 5, 2023.

Design U.S. Appl. No. 29/813,626, filed Oct. 29, 2021.

Design U.S. Appl. No. 29/882,878, filed Jan. 19, 2023.

Declaration of Dr. Kimberly K. Cameron regarding Claim Construction of the ’808 Patent, dated May 16, 2023. In the Matter of: Certain Compact Wallets and Components Thereof. Investigation No. 337-TA-1355 (Enforcement Proceeding). United States International Trade Commission, Washington, D.C. (2023).

Rebuttal Declaration of Dr. Thomas R. Kurfess regarding Claim Construction of the ’808 Patent, dated May 31, 2023. In the Matter

of: Certain Compact Wallets and Components Thereof. Investigation No. 337-TA-1355 (Enforcement Proceeding). United States International Trade Commission, Washington, D.C. (2023).

3D Printed Airtag Cash Clip—Aviator Wallet website: <https://aviatorwallet.com/products/airtag-3d-printed-cashclip—5> pages (date of retrieval Nov. 11, 2022).

Design U.S. Appl. No. 29/895,097, filed Jun. 16, 2023.

Design U.S. Appl. No. 29/896,574, filed Jul. 5, 2023.

Airtag Carbon Case—The Ridge website: <https://ridge.com/products/carbon-case-for-airtag—6> pages (date of retrieval Nov. 14, 2022).

Airtag Cash Strap—The Ridge website: <https://ridge.com/products/airtag-cash-strap—8> pages (date of retrieval Nov. 13, 2022).

Airtag Dog Collar Case—Case-Mate website: <https://case-mate.com/products/airtag-dog-collar-case-black—7> pages (date of retrieval Nov. 14, 2022).

Airtag Dog Collar Holder—Cyrill website: <https://www.amazon.com/CYRILL-Airtag-Collar-Leather-Accessory/dp/B08C9MY9JV—9> pages (date of retrieval Nov. 2022).

Airtag Holder—Fantom X website: <https://store.fantomwallet.com/fantom-x-airtag-holder/—7> pages (date of retrieval Nov. 14, 2022).

Airtag Money Clip—The Ridge website: <https://ridge.com/products/airtag-money-clip—6> pages (date of retrieval Nov. 11, 2022).

Airtag Wallet Minimalist Holder—Borgasets Store website: <https://www.amazon.com/Airtag-Wallet-Minimalist-Holder-Wallets/dp/B09TZTD2HY—6> pages (date of retrieval Nov. 14, 2022).

Donword Minimalist Wallet for Men RFID Blocking Aluminum Wallet Carbon Fiber Card Case Metal Wallet Minimalist Front Pocket Card Holder Cash Strap Mens Wallet (Black), photo reviewed on Jun. 13, 2021, Amazon.com, site visited Mar. 21, 2023: https://www.amazon.com/Minimalist-Wallet-Blocking-Aluminum-Carbon/dp/B08YXDVL5D/ref=cm_cr_ar_p_d_product_top?ie=UTF8&th=1 (Year: 2021).

Hayvenhurst Slim Wallet for Men—Front Pocket RFID Blocking Minimalist Wallet for Men—Metal Wallet With Money Clip for Men (Carbon Fiber), photo reviewed on Jun. 8, 2021, Amazon.com, site visited Mar. 22, 2023: https://www.amazon.com/RFID-Blocking-Slim-Wallet-Moneyclip-Metal-Wallet/dp/B091JH8P34/ref=cm_cr_ar_p_d_product_top?ie=UTF8&th=1 (Year: 2021).

Metal Airtag Holder—Aviator Wallet website: <https://aviatorwallet.com/collections/aviator-wallet-accessoires/products/metal-airtag-cash-clips—4> pages (date of retrieval Nov. 14, 2022).

Metal Wallets for men with Money Clip—Slim Minimalist Aluminum Wallet Credit Card Holder RFID Blocking (Cd Raised Grain, Black), photo review Jun. 20, 2019, Amazon.com, site visited Mar. 23, 2023: <https://www.amazon.com/Metal-Minimalist-Wallet-Money-Clip/dp/B07JPHBLD1?th=1> (Year: 2019).

My Favorite Minimalist Aluminum Wallet, first available Sep. 14, 2019, youtube.com, site visited Mar. 22, 2023: <https://www.youtube.com/watch?v=u12aKtwXfk> (Year: 2019).

Notification of Reasons for Rejection, dated Jan. 17, 2023, for related Japanese Design Application No. 2022-007271.

Notification of Reasons for Rejection, dated Jan. 17, 2023, for related Japanese Design Application No. 2022-008280.

Notification of Reasons for Rejection, dated Jan. 17, 2023, for related Japanese Design Application No. 2022-008281.

Notification of Reasons for Rejection, dated Jan. 17, 2023, for related Japanese Design Application No. 2022-008282.

Notification of Reasons for Rejection, dated Jan. 17, 2023, for related Japanese Design Application No. 2022-008283.

Pet Collar Airtag Holder—Wasserstein website: <https://wasserstein-home.com/products/wasserstein-pet-collar-airtag-holder-compatible-with-apple-airtag-protective-silicone-case-for-gps-tracker-2-pack-black-and-white—4> pages (date of retrieval Nov. 14, 2022).

Pluska Carbon Fiber Wallet, RFID Blocking Minimalist Aluminum Metal Money Clip Wallet, Easy Access Minimalist Wallet for Men, Front Pocket Card Holder, Slim Wallet, Preferred Gift, reviewed on Oct. 25, 2021, Amazon.com, site visited Mar. 21, 2023: https://www.amazon.com/PLUSKA-Wallet%EF%BC%8CRFID-Minimalist-Men%EF%BC%8CFront-Preferred/dp/B09FXFSZK8/ref=cm_cr_ar_p_d_product_top?ie=UTF8 (Year: 2021).

Pop-Up Card Holder—Slashare website: <https://slashare.com/products/mens-pop-up-card-holder-rfid-wallet-airtag-holder-pu-leather-wallet—12> pages (date of retrieval Nov. 2022).

(56)

References Cited

OTHER PUBLICATIONS

RFID Blocking Front Pocket—Aluminum Slim Wallet/Travel Money Clip Credit Card Holder, first available Jan. 9, 2018, Amazon.com, site visited Mar. 22, 2023: https://www.amazon.com/RFID-Blocking-Front-Pocket-Aluminum/dp/B078X7HMC2/ref=cm_cr_ar_p_d_product_top?ie=UTF8 (Year: 2018).

Ridge Wallet Review, first available May 14, 2015, the-gadgeteer.com, site visited Mar. 23, 2023: <https://the-gadgeteer.com/2015/05/14/ridge-wallet-review/> (Year: 2015).

Screw Heads Explained—With Kyle, first available Apr. 26, 2016, YouTube.com, site visited Mar. 23, 2023: <https://www.youtube.com/watch?v=RF0EIIYesVE> (Year: 2016).

The Ridge Minimalist Slim Wallet for Men—RFID Blocking Front Pocket Credit Card Holder—Aluminum Metal Small Mens Wallets with Cash Strap (Gunmetal), photo reviewed on Oct. 25, 2018, Amazon.com, site visited Mar. 21, 2023: https://www.amazon.com/Ridge-Authentic-Minimalist-Blocking-Wallet/dp/B01M5J3NB1/ref=cm_cr_ar_p_d_product_top?ie=UTF8&th=1 (Year: 2018).

The Ridge Wallet—Getting Started, first available Sep. 15, 2016, YouTube.com, site visited Mar. 22, 2023: https://www.youtube.com/watch?v=EBChreo_jdc (Year: 2016).

The Ridge Wallet—Removing/Installing the Money Clip, first available Sep. 22, 2016, The Ridge on YouTube.com, site visited Mar. 30, 2023: <https://www.youtube.com/watch?v=iTLzs-jNFJ8> (Year: 2016).

The Ridge Wallet 2.0, last updated Jan. 27, 2014, kickstarter.com, site visited Mar. 23, 2023: <https://www.kickstarter.com/projects/124039987/the-ridge-wallet-20?ref=discovery&term=ridge%20wallet> (Year: 2014).

Tribe Ultralight Wallet Unboxing and Review—Slim Wallet Junkie, accessed, URL: <https://www.youtube.com/watch?v=Ias3zqULdBk>, Jun. 27, 2015.

Design U.S. Appl. No. 29/875,909, filed May 12, 2023.

Design U.S. Appl. No. 29/875,910, filed May 12, 2023.

Design U.S. Appl. No. 29/883,115, filed Jan. 24, 2023.

Design U.S. Appl. No. 29/883,116, filed Jan. 24, 2023.

Design U.S. Appl. No. 29/888,639, filed Apr. 3, 2023.

Design U.S. Appl. No. 29/888,734, filed Apr. 4, 2023.

* cited by examiner

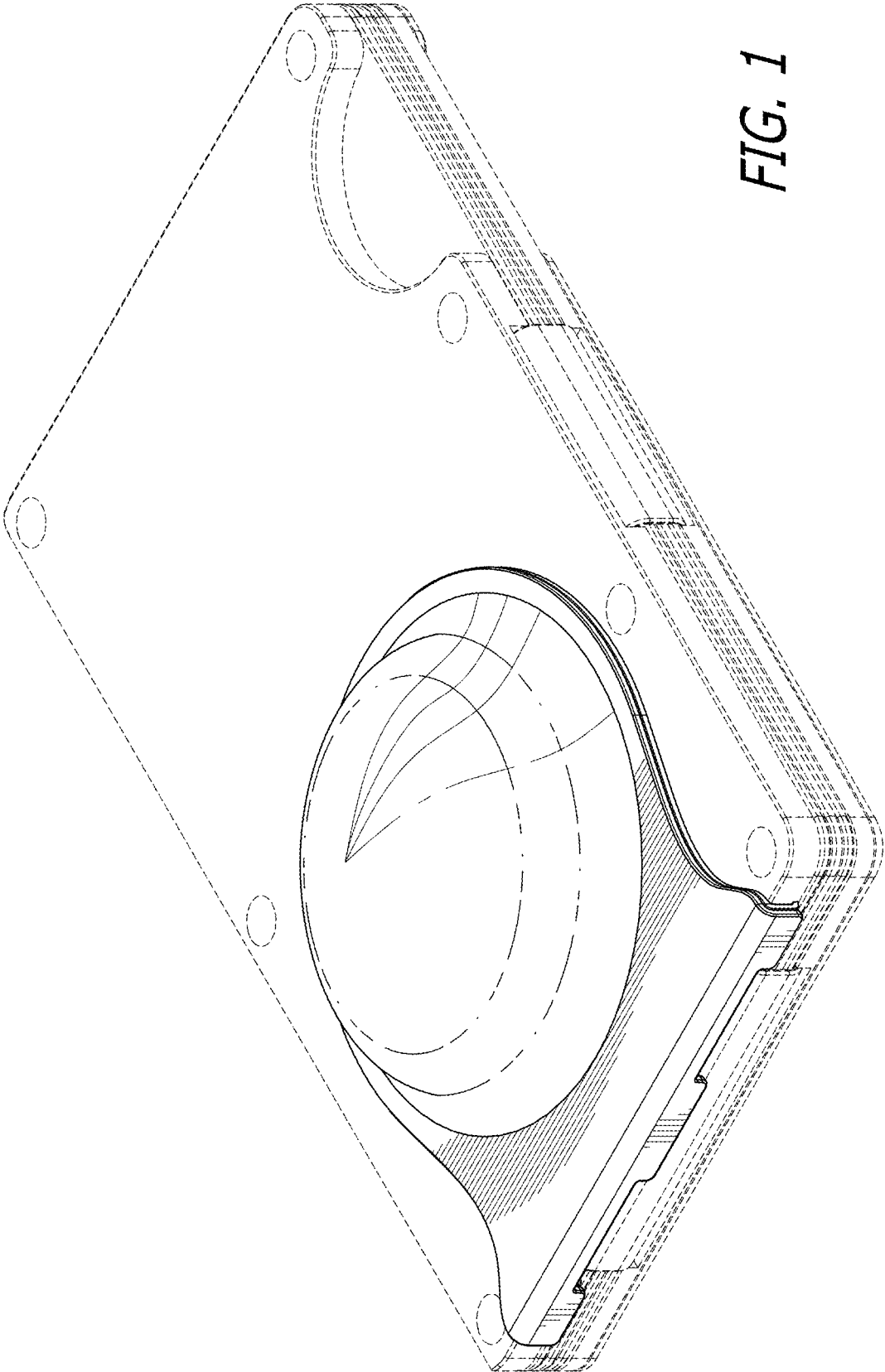


FIG. 1

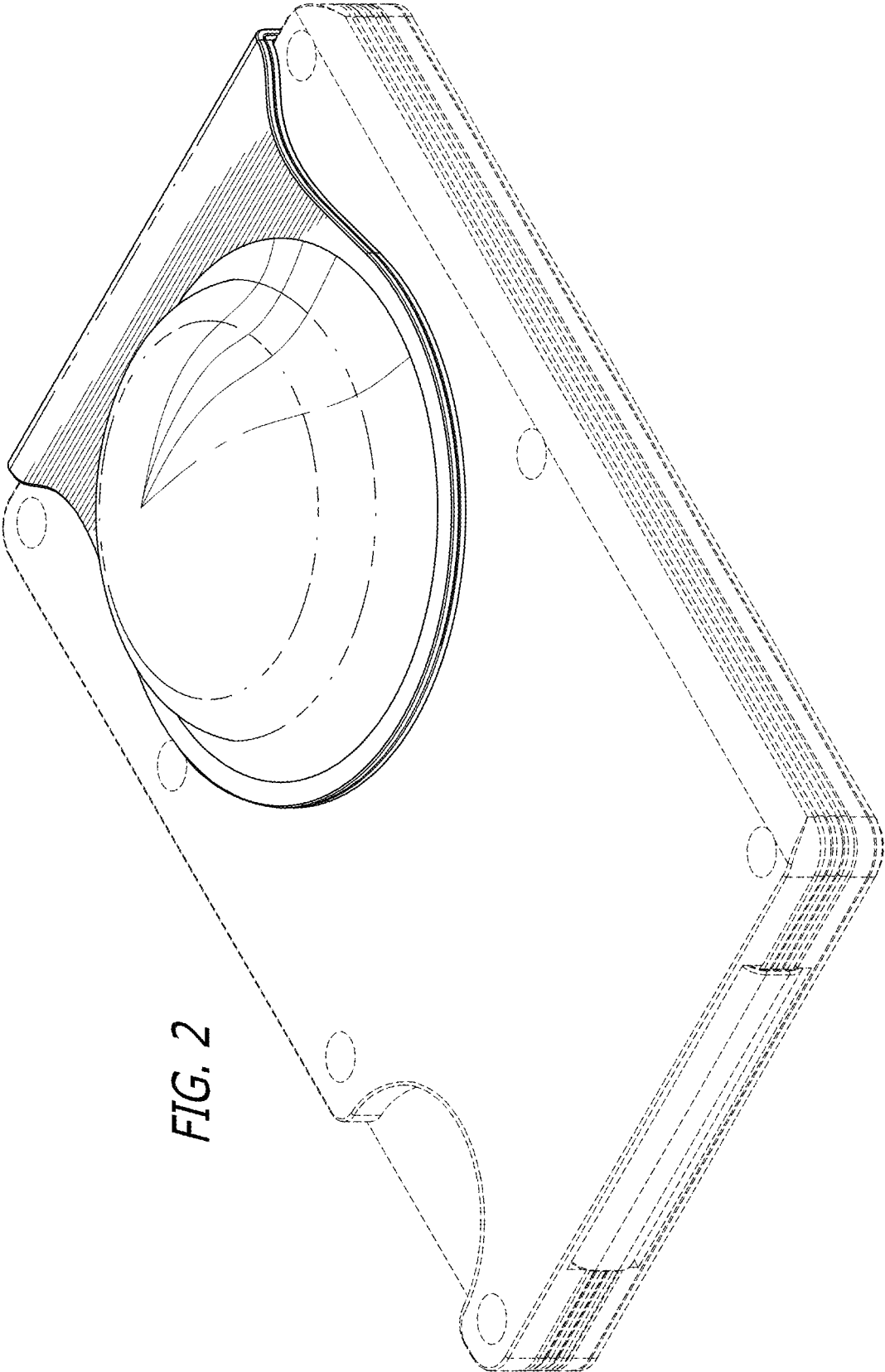


FIG. 2

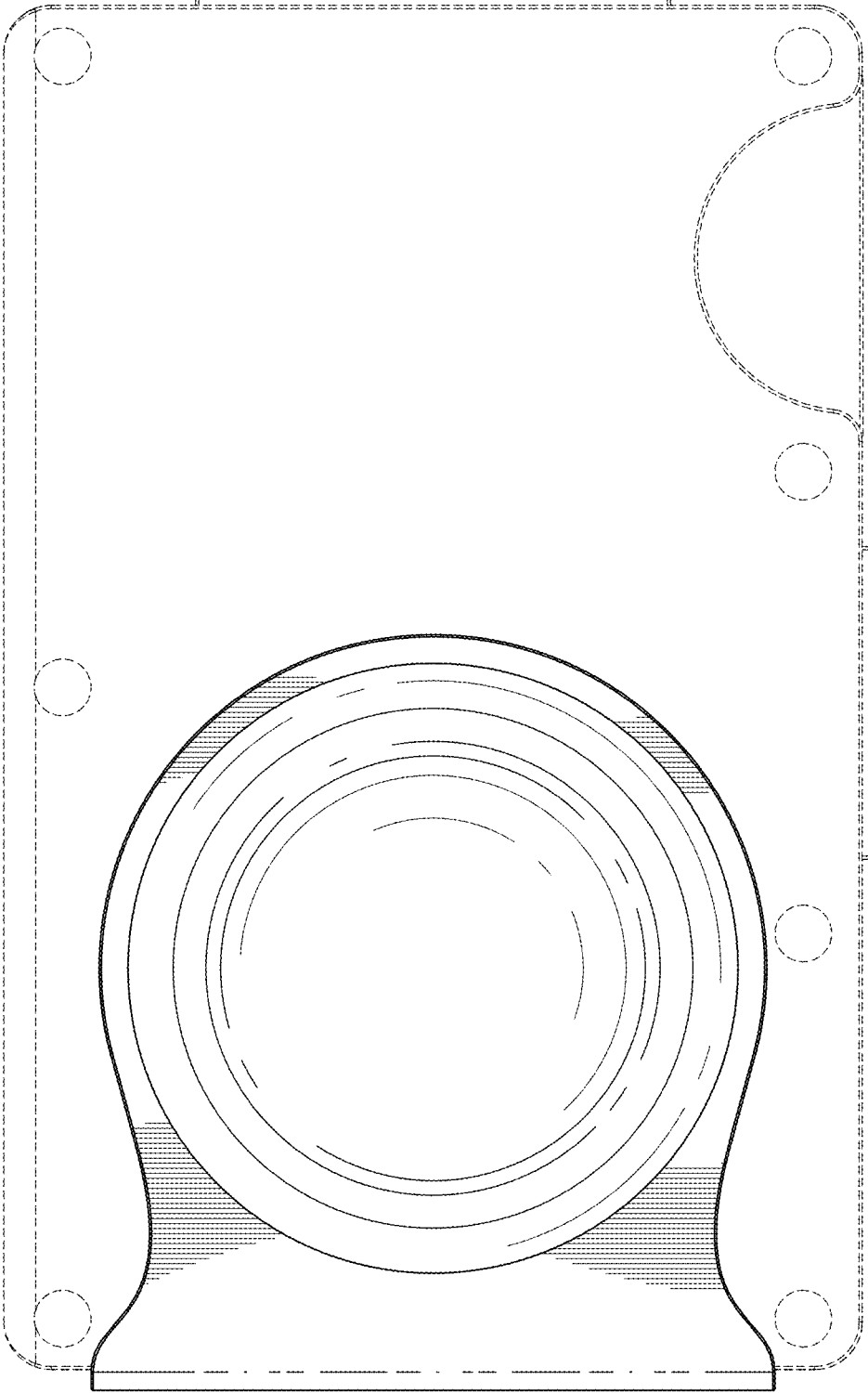


FIG. 3

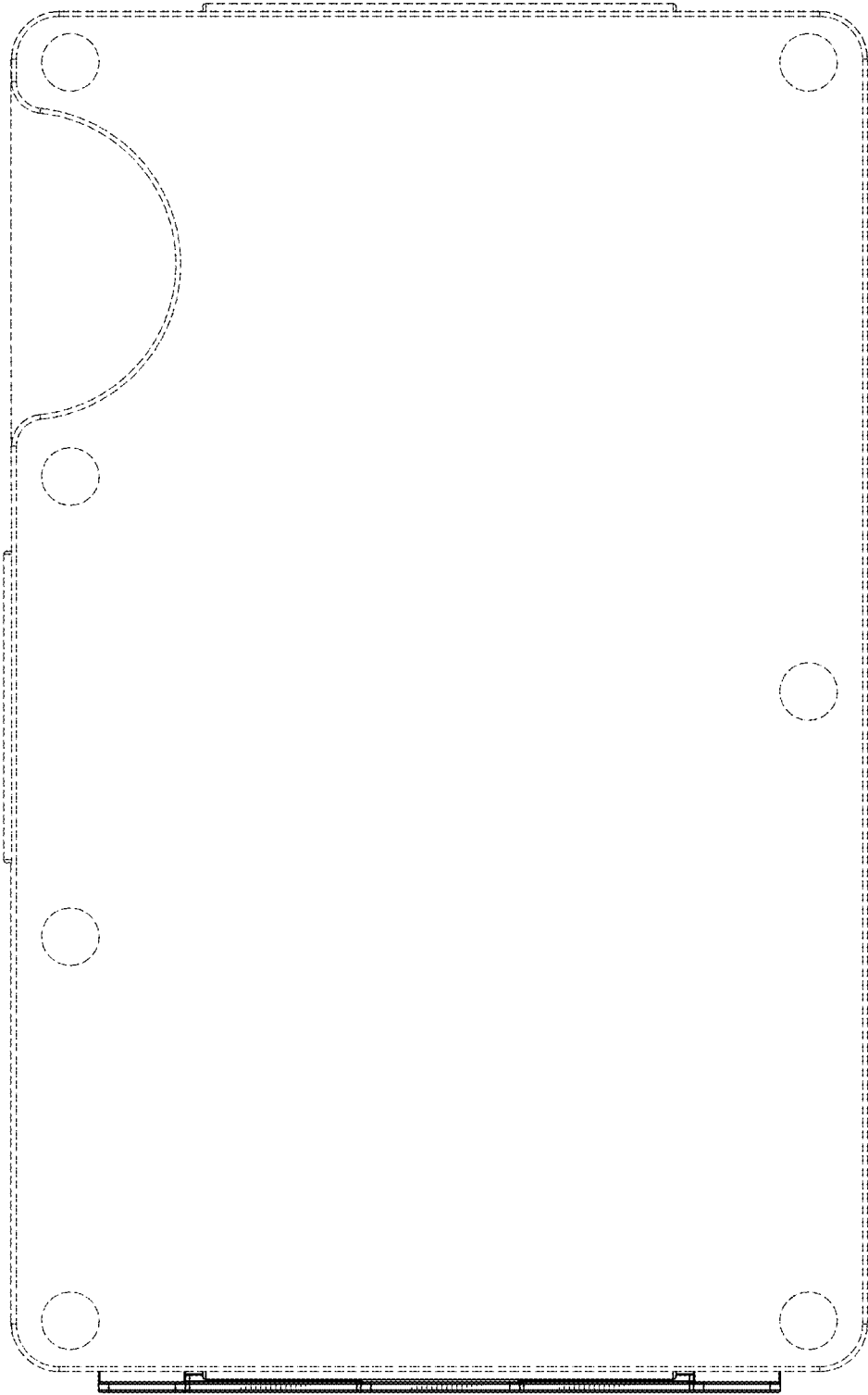


FIG. 4

FIG. 5

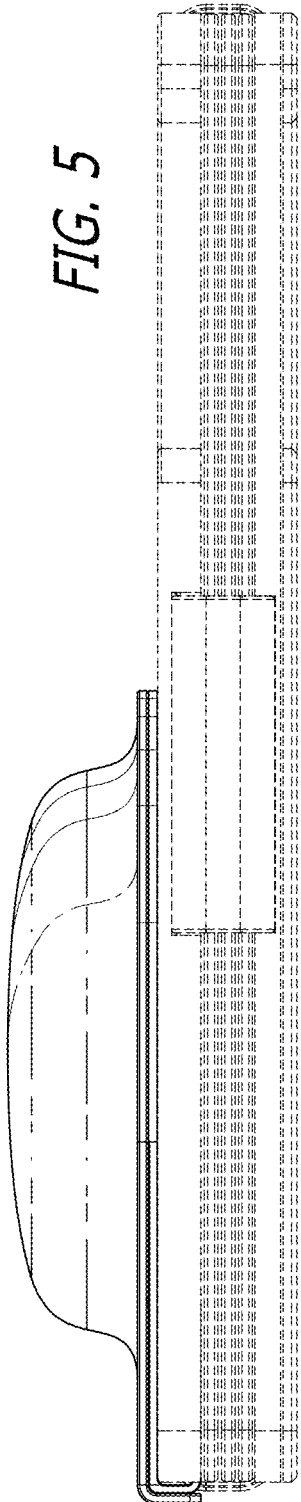


FIG. 6

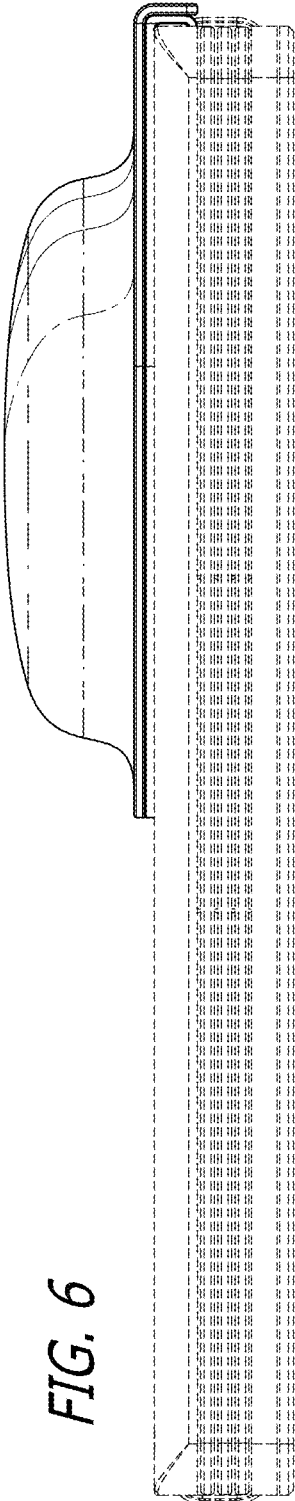


FIG. 7

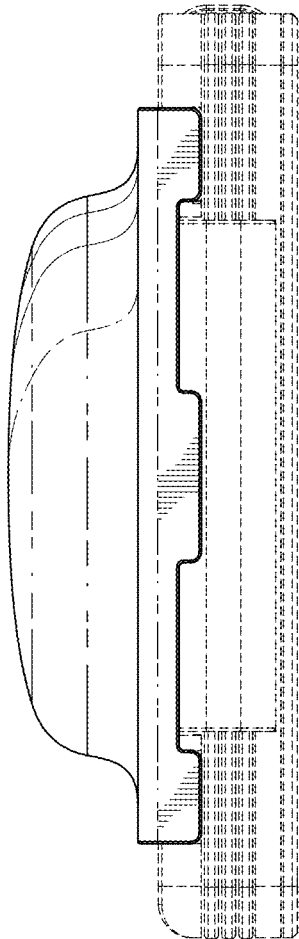


FIG. 8

