



US00D989286S

(12) **United States Design Patent**  
**Allen et al.**

(10) **Patent No.:** **US D989,286 S**  
(45) **Date of Patent:** **\*\* Jun. 13, 2023**

- (54) **FACE MASK**
- (71) Applicants: **Gregory Allen**, Birmingham, AL (US);  
**Regina Allen**, Birmingham, AL (US)
- (72) Inventors: **Gregory Allen**, Birmingham, AL (US);  
**Regina Allen**, Birmingham, AL (US)

2004/0049828 A1 3/2004 Moses  
 2006/0289009 A1\* 12/2006 Palomo ..... A62B 23/025  
 128/206.19  
 2007/0023047 A1\* 2/2007 Zalsman ..... A41D 13/11  
 128/206.19

(Continued)

**FOREIGN PATENT DOCUMENTS**

GB 6091816 \* 6/2020  
 TW 222790-0001 \* 12/2022

(Continued)

- (\*\*) Term: **15 Years**
- (21) Appl. No.: **29/770,703**

- (22) Filed: **Feb. 16, 2021**
- (51) **LOC (14) Cl.** ..... **29-02**
- (52) **U.S. Cl.**  
USPC ..... **D24/110.1**
- (58) **Field of Classification Search**  
USPC ..... D24/110.1, 110.2, 110.3, 110.4, 110.5,  
D24/110.6, 127, 128, 164; D29/108, 110,  
D29/111, 129; D2/865, 866, 867, 874,  
D2/878, 881, 891  
CPC ..... A62B 7/10; A62B 18/00; A62B 23/02;  
A41D 13/11; A41D 13/1107; A41D  
13/113; A41D 31/14; A41D 2600/10;  
A61M 16/06; A42B 3/20; A42V 1/046  
See application file for complete search history.

**OTHER PUBLICATIONS**

“QwikGuard: Single-Use Strapless Face Masks.” Found online at Amazon.com. Jan. 17, 2023. Reference dated Nov. 6, 2020. Retrieved from <https://www.amazon.com/QwikGuard-Single-Use-Strapless-Face-Masks/dp/B08KGY9Y4S>.\*

(Continued)

*Primary Examiner* — Kendra Leslie Hamilton  
*Assistant Examiner* — Elizabeth S Struble

(57) **CLAIM**

The ornamental design for a face mask, as shown and described.

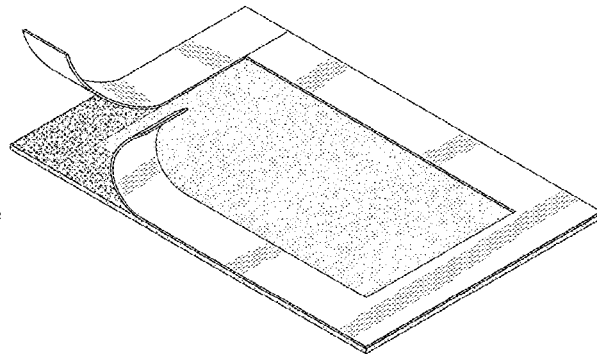
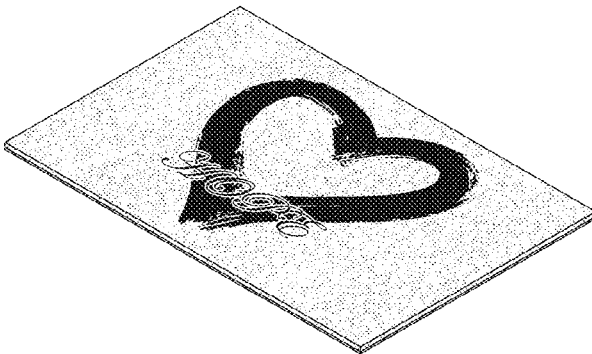
**DESCRIPTION**

FIG. 1 is a front elevation view of a face mask showing my new design;  
 FIG. 2 is a rear elevation view thereof;  
 FIG. 3 is a right side elevation view thereof;  
 FIG. 4 is a left side elevation view thereof;  
 FIG. 5 is a top plan view thereof;  
 FIG. 6 is a bottom plan view thereof;  
 FIG. 7 is a bottom, front, left perspective view thereof; and,  
 FIG. 8 is a bottom, rear, right perspective view shown in an alternate configuration for clarity of disclosure.  
 The drawings are shaded to indicate contrasting surfaces.

**1 Claim, 3 Drawing Sheets**

(56) **References Cited**  
**U.S. PATENT DOCUMENTS**

566,824 A \* 9/1896 Van Wormer ..... A41D 13/11  
2/206  
3,031,676 A 5/1962 Larson  
4,458,364 A 7/1984 Fenninger  
D511,209 S \* 11/2005 Callan ..... D24/110.1  
7,152,601 B2 12/2006 Barakat  
D693,062 S \* 11/2013 Bowen ..... D29/108  
D706,021 S 6/2014 Oimo  
10,207,129 B2 2/2019 Koehler  
D850,760 S \* 6/2019 Greenblat ..... D29/108  
D872,256 S \* 1/2020 Tuan ..... D24/110.1



(56)

**References Cited**

## U.S. PATENT DOCUMENTS

2008/0230066 A1\* 9/2008 Chandaria ..... A41D 13/11  
128/206.13  
2009/0014006 A1\* 1/2009 Levin ..... A41D 13/11  
128/206.19  
2009/0277451 A1 11/2009 Weinberg  
2014/0026897 A1\* 1/2014 Saroch ..... A41D 13/1192  
156/256  
2016/0029716 A1\* 2/2016 Duncan ..... A41D 13/11  
128/863  
2020/0022430 A1\* 1/2020 Wang ..... D03D 11/00  
2021/0052488 A1\* 2/2021 Okazaki ..... A61M 15/00

## FOREIGN PATENT DOCUMENTS

WO WO2015020857 2/2015  
WO D211016-019 \* 11/2020

## OTHER PUBLICATIONS

“Now Care Products: Strapless inn Face Mask.” Found online at Amazon.com. Jan. 17, 2023. Reference dated Sep. 22, 2020. Retrieved from <https://www.amazon.com/Foot-System-Smoother-subscription-service/dp/B01000AXBG>.\*

“MyDCraft: Hope Fabric Face Mask.” Found online at Etsy.com. Jan. 17, 2023. Reference dated Aug. 21, 2020. Retrieved from <https://www.etsy.com/listing/856254701/hope-fabric-face-mask-handmade-mask>.\*

“Popfunk: Kids Tye Dye Heart 1-Ply Reusable Face Mask Covering.” Found online at Amazon.com Jan. 17, 2023. Reference dated Jun. 16, 2020. Retrieved from <https://www.amazon.com/Kids-Heart-1-Ply-Reusable-Covering/dp/B08B9ZXGS8?th=1>.\*

\* cited by examiner



FIG. 1

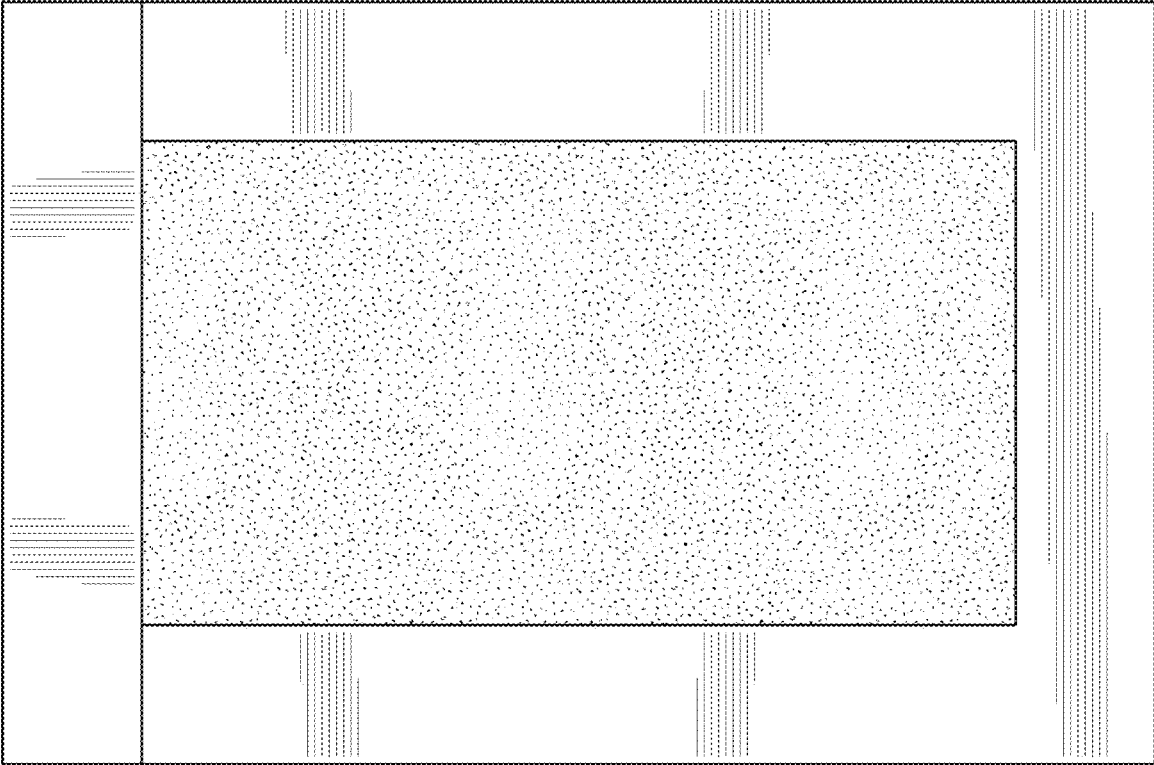


FIG. 2

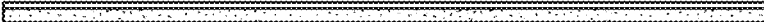


FIG. 3

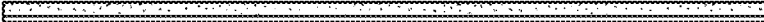


FIG. 4



FIG. 5



FIG. 6

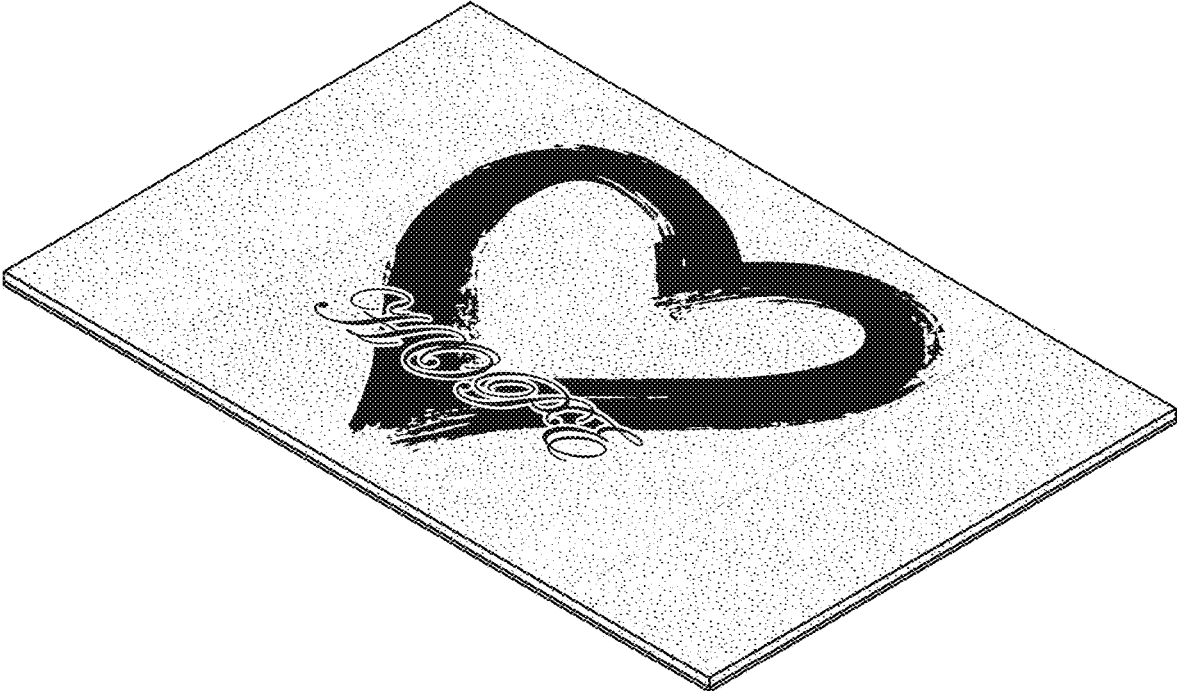


FIG. 7

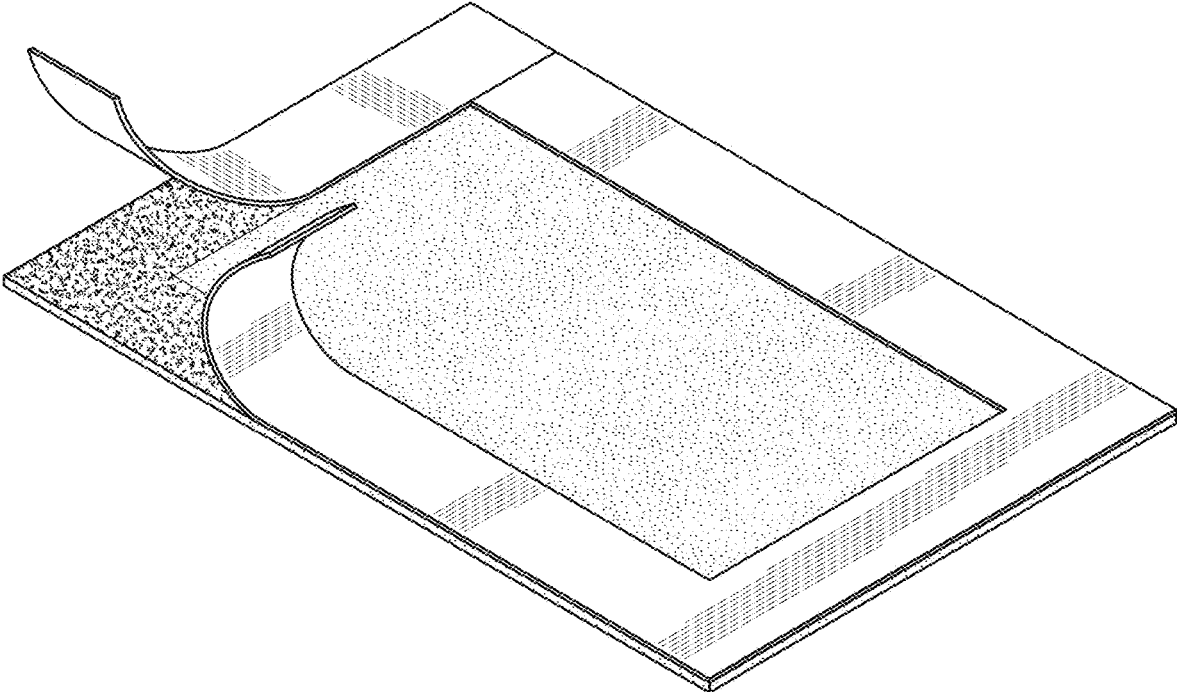


FIG. 8