



US00D960250S

(12) **United States Design Patent**  
**Krogué et al.**

(10) **Patent No.:** **US D960,250 S**

(45) **Date of Patent:** **\*\* Aug. 9, 2022**

(54) **CAP FOR ENRICHMENT DEVICE**

(71) Applicants: **Christine Krogué**, Kaysville, UT (US);  
**John Krogué**, Kaysville, UT (US)

(72) Inventors: **Christine Krogué**, Kaysville, UT (US);  
**John Krogué**, Kaysville, UT (US)

(\*\*) Term: **15 Years**

(21) Appl. No.: **29/778,901**

(22) Filed: **Apr. 15, 2021**

(51) **LOC (13) Cl.** ..... **21-01**

(52) **U.S. Cl.**  
USPC ..... **D21/468**; D21/473

(58) **Field of Classification Search**  
USPC ..... D21/300, 310, 311, 385, 398, 468, 470,  
D21/472-476; D9/434-436, 443,  
D9/445-447, 499, 503, 504, 716;  
D7/387, 391, 392, 392.1, 393, 396.2, 510,  
D7/511, 691, 900; D30/121, 122, 132,  
D30/160, 162  
CPC ... A63H 3/00; A63H 3/02; A63H 3/04; A63H  
3/16; A63H 3/26; A63H 3/28; A63H  
11/00; A63H 11/10; A63H 11/18; A63H  
11/20; A63H 11/205; A63H 13/00; A63H  
13/03; A63H 13/18; A63H 15/06; A63H  
33/00; A63H 33/006; A63H 33/16; A63H  
2011/16; B65D 5/42; B65D 5/4208;  
B65D 5/4258; B65D 51/223; B65D  
67/00; B65D 77/00; B65D 81/365; B65D  
81/366; B65D 81/368; B65D 2251/0015;  
B65D 2251/0087

See application file for complete search history.

(56) **References Cited**

**U.S. PATENT DOCUMENTS**

821,700 A \* 5/1906 Burkins ..... F17C 5/06  
D7/691  
D113,894 S \* 3/1939 Hacmac ..... D7/392

D129,728 S \* 9/1941 Bernhardt ..... D9/443  
2,797,621 A \* 7/1957 Gladen ..... B62J 6/20  
359/525  
3,255,910 A \* 6/1966 Winston ..... B65D 51/223  
D9/443

(Continued)

**FOREIGN PATENT DOCUMENTS**

AU 199404013 9/1995  
AU 201110421 3/2011

*Primary Examiner* — Wendy L Arminio

(74) *Attorney, Agent, or Firm* — Wilson Dutra, PLLC;  
Camille A. Wilson

(57) **CLAIM**

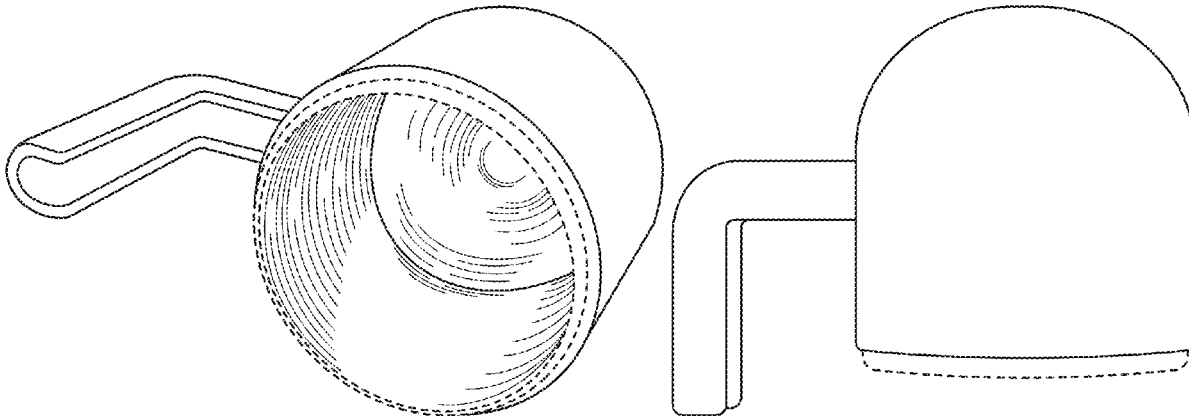
The ornamental design for a cap for enrichment device, as shown and described.

**DESCRIPTION**

FIG. 1 is a bottom side perspective view of a cap for enrichment device in accordance with the present invention; FIG. 2 is a top side perspective view of the cap for enrichment device in accordance with the present invention; FIG. 3 is a side view of the cap for enrichment device in accordance with the present invention; FIG. 4 is a side view of the cap for enrichment device in accordance with the present invention; FIG. 5 is a top down view of the cap for enrichment device in accordance with the present invention; FIG. 6 is a bottom up view of the cap for enrichment device in accordance with the present invention; FIG. 7 is a front view of the cap for enrichment device in accordance with the present invention; and, FIG. 8 is a rear view of the cap for enrichment device in accordance with the present invention.

The broken lines are included for the purpose of illustrating portions of the cap for enrichment device that form no part of the claimed design. None of the broken lines form a part of the claimed design.

**1 Claim, 4 Drawing Sheets**



(56)

**References Cited**

## U.S. PATENT DOCUMENTS

D207,033 S \* 2/1967 Bowker ..... D9/443  
D217,485 S \* 5/1970 Kohner et al. .... D21/474  
4,050,826 A \* 9/1977 Berghahn ..... B65D 51/18  
401/196  
D259,887 S \* 7/1981 Croushore ..... D21/473  
D260,078 S \* 8/1981 Casoni ..... D9/716  
D260,471 S 9/1981 Douglas  
D293,291 S \* 12/1987 Hansen ..... D7/533  
D298,098 S \* 10/1988 Craig, III ..... D7/511  
D320,350 S 10/1991 Fabiano  
D347,547 S 6/1994 Heinrich  
D349,429 S \* 8/1994 Morehead ..... D7/511  
D480,633 S \* 10/2003 Miranda ..... D9/504  
D511,684 S \* 11/2005 Guyot ..... D9/443  
D551,023 S \* 9/2007 Natalino ..... D7/361  
D577,583 S \* 9/2008 Porter ..... D9/447  
D598,713 S \* 8/2009 Luft ..... D7/533  
D600,978 S 9/2009 Poindexter  
D613,121 S \* 4/2010 Luft ..... D7/533  
D682,017 S \* 5/2013 Smiedt ..... D9/446  
D723,106 S \* 2/2015 Kino ..... D21/473  
D741,676 S \* 10/2015 Li ..... D21/468  
D794,392 S \* 8/2017 Rashid ..... D7/511  
D809,060 S \* 1/2018 Zhang ..... D19/194  
D846,983 S \* 4/2019 Horn ..... D9/436  
11,260,274 B1 \* 3/2022 Krogue ..... A63F 7/3622  
2013/0199989 A1 \* 8/2013 Carter ..... A47G 19/2266  
210/464

\* cited by examiner

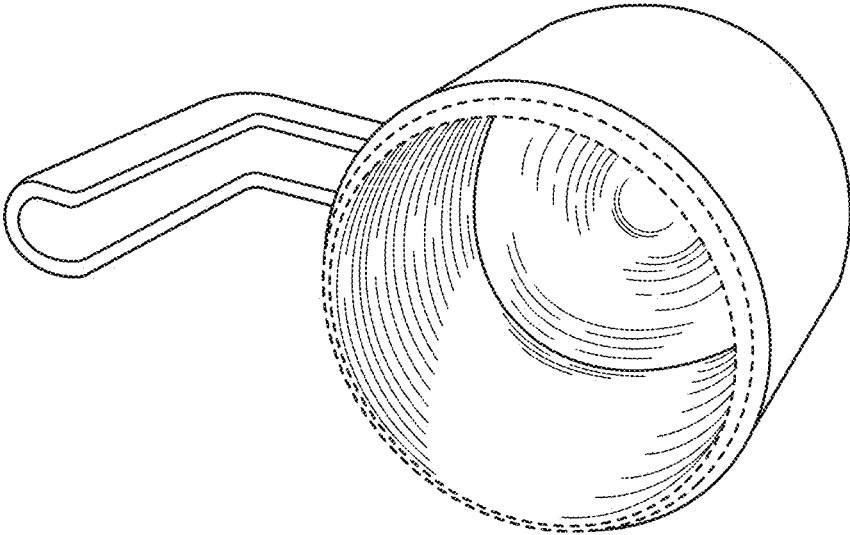


FIG. 1

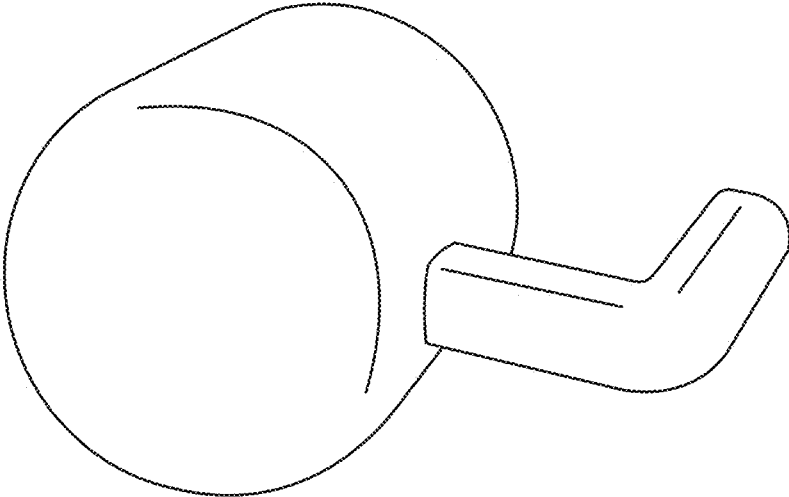


FIG. 2

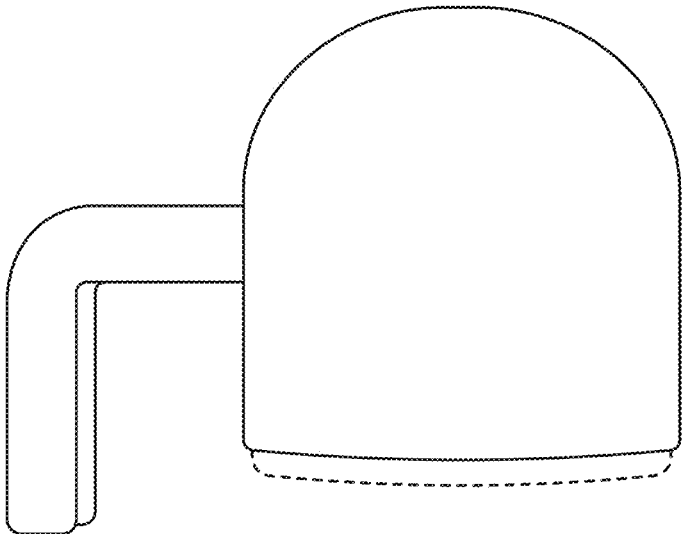


FIG. 3

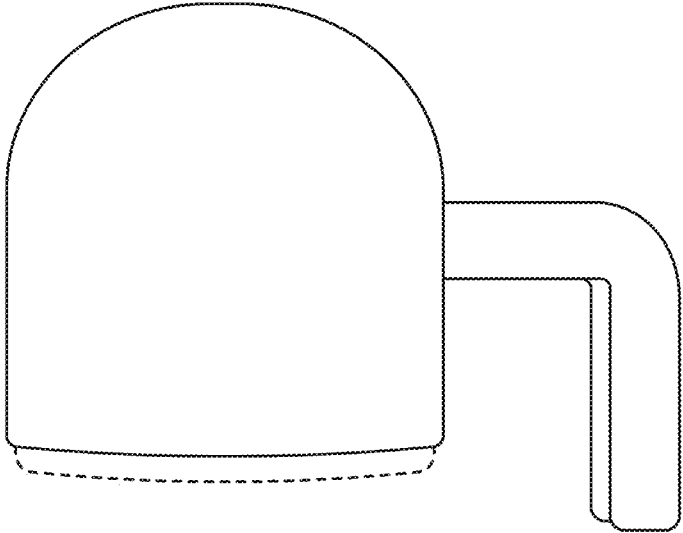


FIG. 4

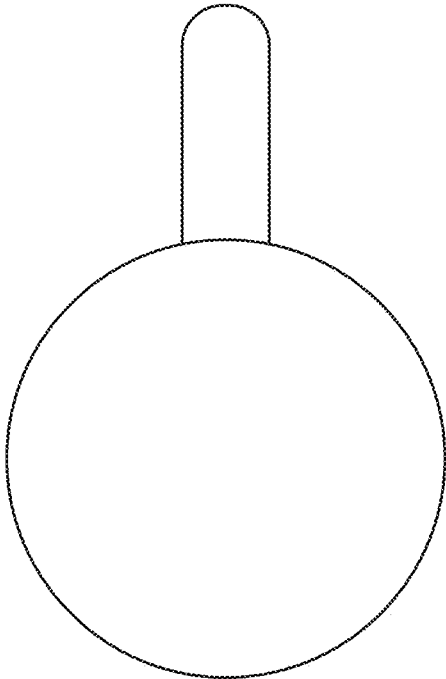


FIG. 5

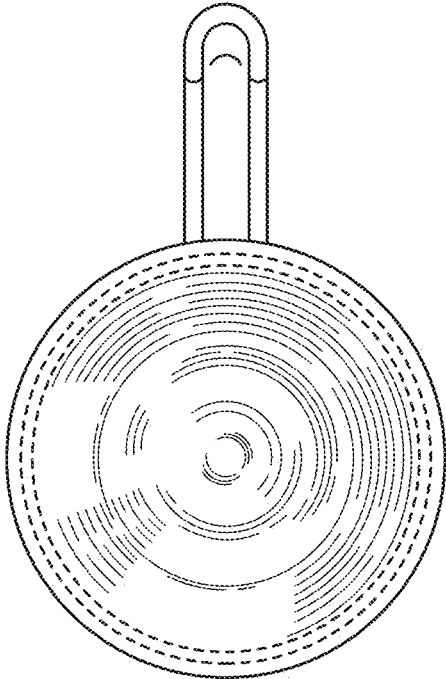


FIG. 6

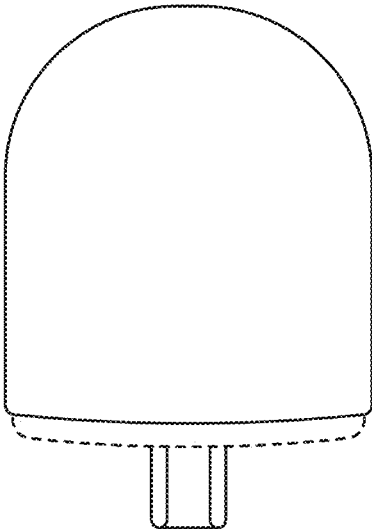


FIG. 7

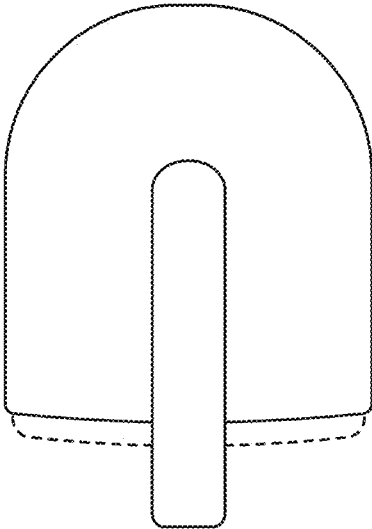


FIG. 8