

(19) World Intellectual Property Organization
International Bureau



(43) International Publication Date
30 August 2007 (30.08.2007)

PCT

(10) International Publication Number
WO 2007/097613 A3

(51) International Patent Classification:
B62B 7/08 (2006.01)

(21) International Application Number:
PCT/NL2007/000041

(22) International Filing Date:
14 February 2007 (14.02.2007)

(25) Filing Language: Dutch

(26) Publication Language: English

(30) Priority Data:
1031214 22 February 2006 (22.02.2006) NL

(71) Applicant (for all designated States except US): MAXI MILIAAN B.V. [NL/NL]; Korendijk 5, NL-5704 RD Helmond (NL).

(72) Inventor; and

(75) Inventor/Applicant (for US only): VAN DIJK, John, Gert, Til [NL/NL]; Oostende 51, NL-5701 SK Helmond (NL).

(74) Agents: DORNA, Peter et al.; Algemeen Octrooi-en Merkenbureau, P.O. Box 645, NL-5600 AP Eindhoven (NL).

(81) Designated States (unless otherwise indicated, for every kind of national protection available): AE, AG, AL, AM, AT, AU, AZ, BA, BB, BG, BR, BW, BY, BZ, CA, CH, CN, CO, CR, CU, CZ, DE, DK, DM, DZ, EC, EE, EG, ES, FI, GB, GD, GE, GH, GM, GT, HN, HR, HU, ID, IL, IN, IS, JP, KE, KG, KM, KN, KP, KR, KZ, LA, LC, LK, LR, LS, LT, LU, LV, LY, MA, MD, MG, MK, MN, MW, MX, MY, MZ, NA, NG, NI, NO, NZ, OM, PG, PH, PL, PT, RO, RS, RU, SC, SD, SE, SG, SK, SL, SM, SV, SY, TJ, TM, TN, TR, TT, TZ, UA, UG, US, UZ, VC, VN, ZA, ZM, ZW.

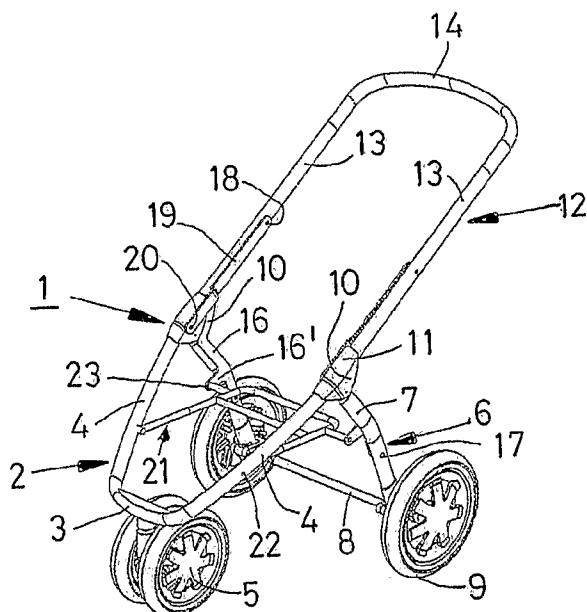
(84) Designated States (unless otherwise indicated, for every kind of regional protection available): ARIPO (BW, GH, GM, KE, LS, MW, MZ, NA, SD, SL, SZ, TZ, UG, ZM, ZW), Eurasian (AM, AZ, BY, KG, KZ, MD, RU, TJ, TM), European (AT, BE, BG, CH, CY, CZ, DE, DK, EE, ES, FI, FR, GB, GR, HU, IE, IS, IT, LT, LU, LV, MC, NL, PL, PT, RO, SE, SI, SK, TR), OAPI (BF, BJ, CF, CG, CI, CM, GA, GN, GQ, GW, ML, MR, NE, SN, TD, TG).

Published:

- with international search report
- before the expiration of the time limit for amending the claims and to be republished in the event of receipt of amendments

(88) Date of publication of the international search report:
13 November 2008

(54) Title: STROLLER



(57) Abstract: A stroller comprises a collapsible frame, which frame at least comprises a first frame part provided with at least one front wheel, a second frame part provided with at least one rear wheel, which second frame part is pivotally connected on a side remote from the rear wheel to a side of the first frame part remote from the front wheel via a first pivot axis, and a third frame part provided with a handle. The frame further comprises at least one first pivot arm, which is pivotally connected to a side of the third frame part remote from the handle with a first side via a second pivot axis, and which is pivotally connected to said second frame part with a second side remote from said first side via a third pivot axis at a position between the rear wheel and the first pivot axis, and at least one second pivot arm, which is pivotally connected to the third frame part with a first side, at a position between the second pivot axis and the handle, and which is pivotally connected to the first and the second frame part with a second side remote from the first side at a position near the first pivot axis. The third frame part is positioned on a side of the second frame part remote from the first frame part in a collapsed position of the stroller.

WO 2007/097613 A3

INTERNATIONAL SEARCH REPORT

International application No
PCT/NL2007/000041**A. CLASSIFICATION OF SUBJECT MATTER**
INV. B62B7/08

According to International Patent Classification (IPC) or to both national classification and IPC

B. FIELDS SEARCHED

Minimum documentation searched (classification system followed by classification symbols)

B62B

Documentation searched other than minimum documentation to the extent that such documents are included in the fields searched

Electronic data base consulted during the international search (name of data base and, where practical, search terms used)

EPO-Internal, WPI Data

C. DOCUMENTS CONSIDERED TO BE RELEVANT

Category*	Citation of document, with indication, where appropriate, of the relevant passages	Relevant to claim No.
A	US 5 622 377 A (SHAMIE LOUIS [US]) 22 April 1997 (1997-04-22) cited in the application figures	1
A	EP 0 494 736 A2 (APRICA KASSAI KK [JP]) 15 July 1992 (1992-07-15) the whole document	1
A	EP 1 190 931 A2 (PEG PEREGO S P A [IT]) 27 March 2002 (2002-03-27) figures 1,2	1
A	DE 202 20 024 U1 (BEGER UDO [DE]) 20 March 2003 (2003-03-20) cited in the application the whole document	1

 Further documents are listed in the continuation of Box C. See patent family annex.

* Special categories of cited documents :

A document defining the general state of the art which is not considered to be of particular relevance

E earlier document but published on or after the international filing date

L document which may throw doubts on priority claim(s) or which is cited to establish the publication date of another citation or other special reason (as specified)

O document referring to an oral disclosure, use, exhibition or other means

P document published prior to the international filing date but later than the priority date claimed

T later document published after the international filing date or priority date and not in conflict with the application but cited to understand the principle or theory underlying the invention

X document of particular relevance; the claimed invention cannot be considered novel or cannot be considered to involve an inventive step when the document is taken alone

Y document of particular relevance; the claimed invention cannot be considered to involve an inventive step when the document is combined with one or more other such documents, such combination being obvious to a person skilled in the art.

8 document member of the same patent family

Date of the actual completion of the international search

12 September 2008

Date of mailing of the international search report

25/09/2008

Name and mailing address of the ISA/

European Patent Office, P.B. 5818 Patentlaan 2
NL - 2280 HV Rijswijk
Tel. (+31-70) 340-2040, Tx. 31 651 epo nl,
Fax: (+31-70) 340-3016

Authorized officer

Cauderlier, Frédéric

INTERNATIONAL SEARCH REPORT

Information on patent family members

International application No

PCT/NL2007/000041

Patent document cited in search report	Publication date	Patent family member(s)	Publication date
US 5622377	A	22-04-1997	NONE
EP 0494736	A2	15-07-1992	JP 3040496 B2 15-05-2000 JP 4252770 A 08-09-1992 US 5181735 A 26-01-1993
EP 1190931	A2	27-03-2002	AT 364004 T 15-06-2007 CA 2357611 A1 22-03-2002 DE 60128765 T2 11-10-2007 ES 2287070 T3 16-12-2007 IT MI20000535 U1 22-03-2002 US 2002041082 A1 11-04-2002
DE 20220024	U1	20-03-2003	AT 503015 A5 15-07-2007 AU 2003293820 A1 22-07-2004 WO 2004058556 A1 15-07-2004