



US00D419682S

United States Patent [19]

[11] Patent Number: **Des. 419,682**

Lie

[45] Date of Patent: **** *Jan. 25, 2000**

[54] **MASSAGER**

4,497,313	2/1985	Kurosawa	D24/213 X
4,513,735	4/1985	Friedson et al.	D24/213 X
4,620,529	11/1986	Kurowsawa	601/157 X

[75] Inventor: **Sen-Nen Lie**, Kowloon, The Hong Kong Special Administrative Region of the People's Republic of China

Primary Examiner—Stella Reid
Attorney, Agent, or Firm—Blakely Sokoloff Taylor & Zafman

[73] Assignee: **Kolvin Industries Limited**, The Hong Kong Special Administrative Region of the People's Republic of China

[57] CLAIM

[*] Notice: This patent is subject to a terminal disclaimer.

The ornamental design for a massager, as shown and described.

[**] Term: **14 Years**

DESCRIPTION

[21] Appl. No.: **29/017,714**

FIG. 1 is a top view of the massager of the present invention; FIG. 2 is a bottom view thereof; FIG. 3 is a front view thereof; FIG. 4 is a rear view thereof; FIG. 5 is a left side elevational view thereof; and, FIG. 6 is a right side elevational view thereof.

[22] Filed: **Jan. 19, 1994**

[51] **LOC (7) Cl.** **28-03**

[52] **U.S. Cl.** **D24/213**

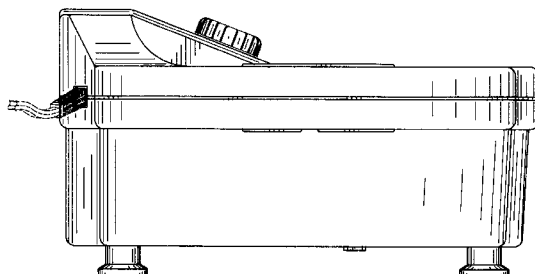
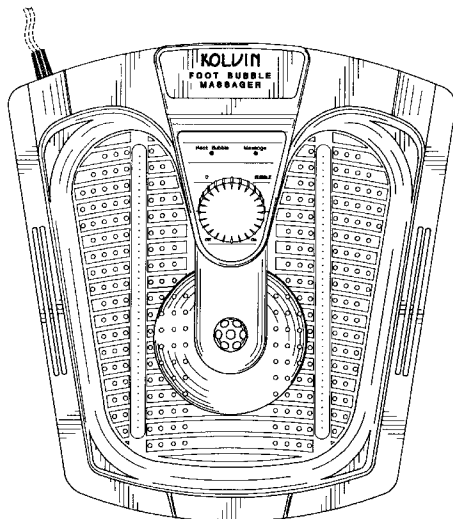
[58] **Field of Search** D24/213, 200; 601/154, 156, 157

[56] References Cited

U.S. PATENT DOCUMENTS

4,184,488 1/1980 Bielich 601/157

1 Claim, 3 Drawing Sheets



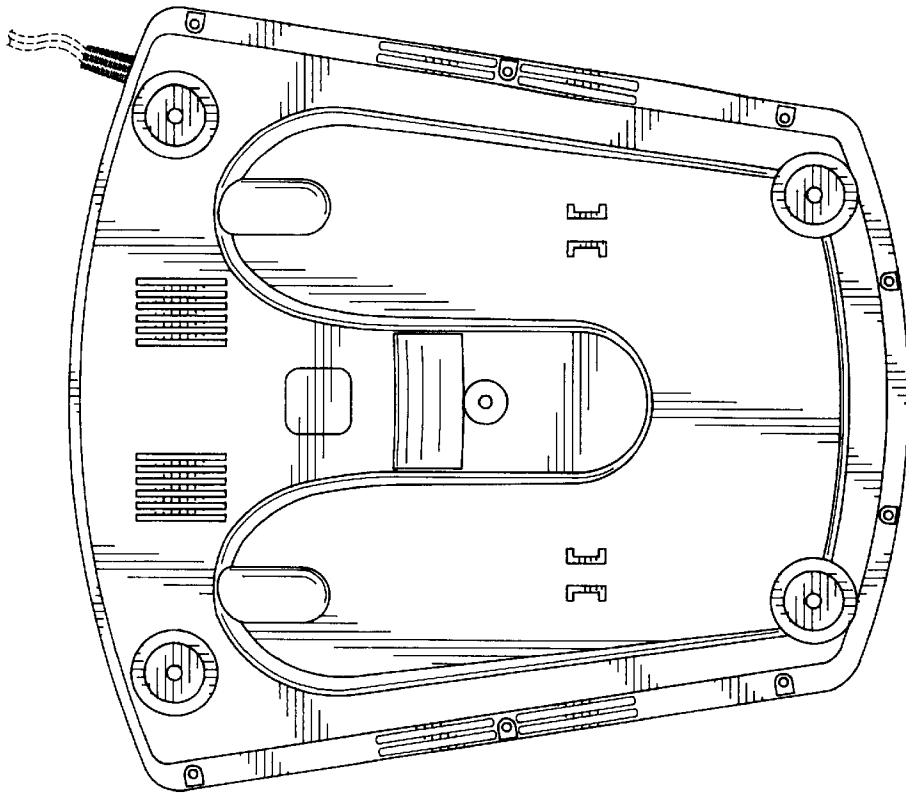


FIG. 2

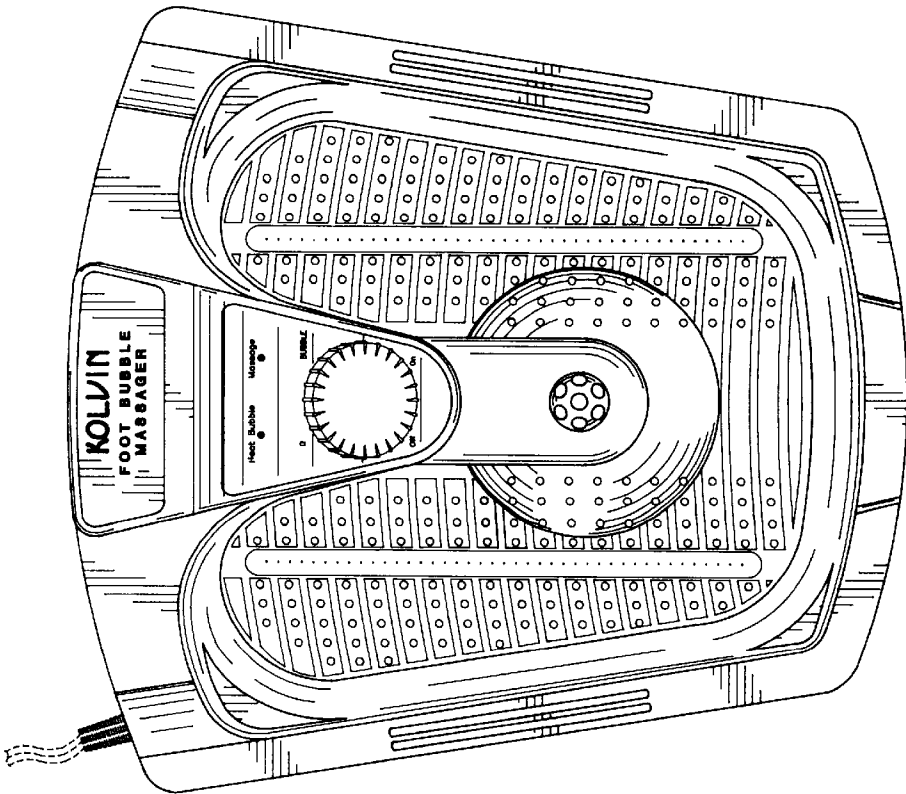


FIG. 1

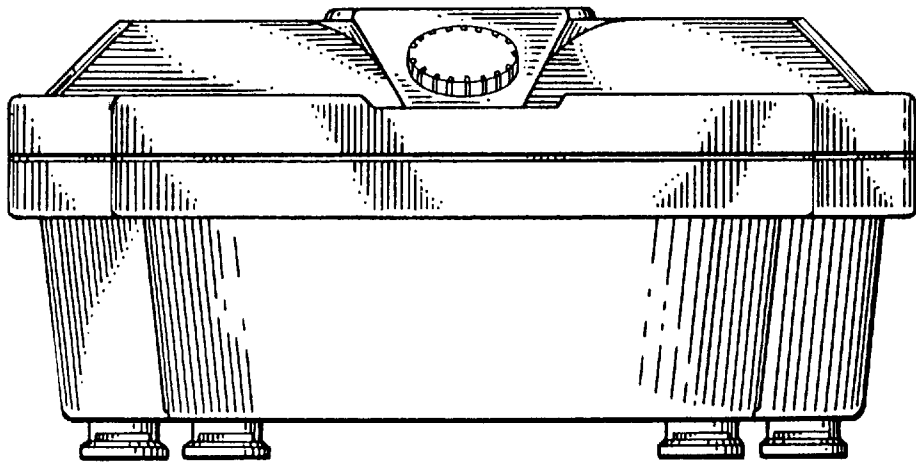


FIG. 3

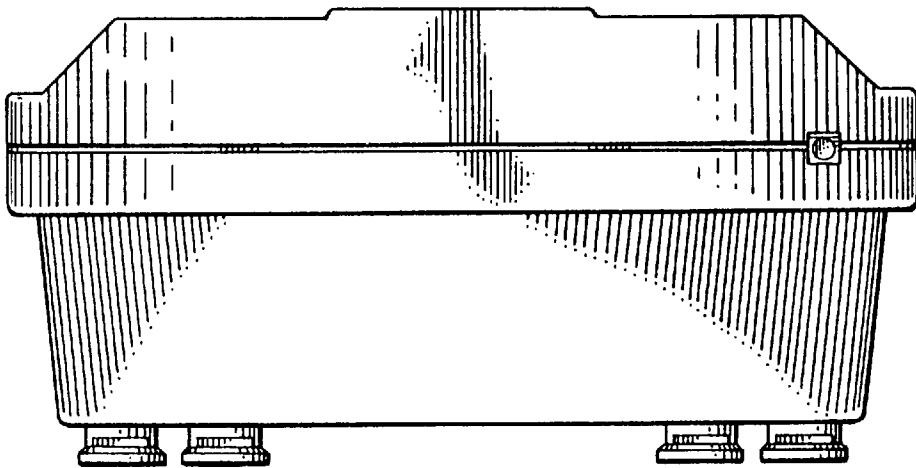


FIG. 4

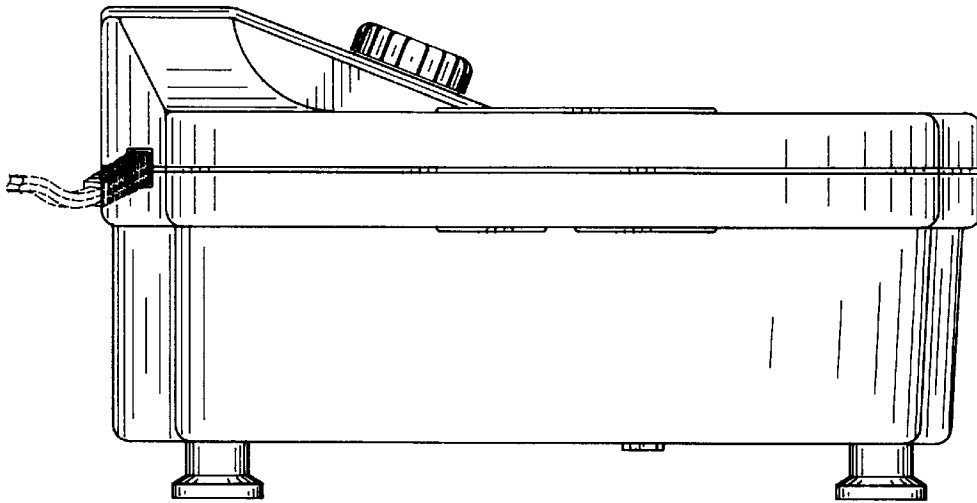


FIG. 5

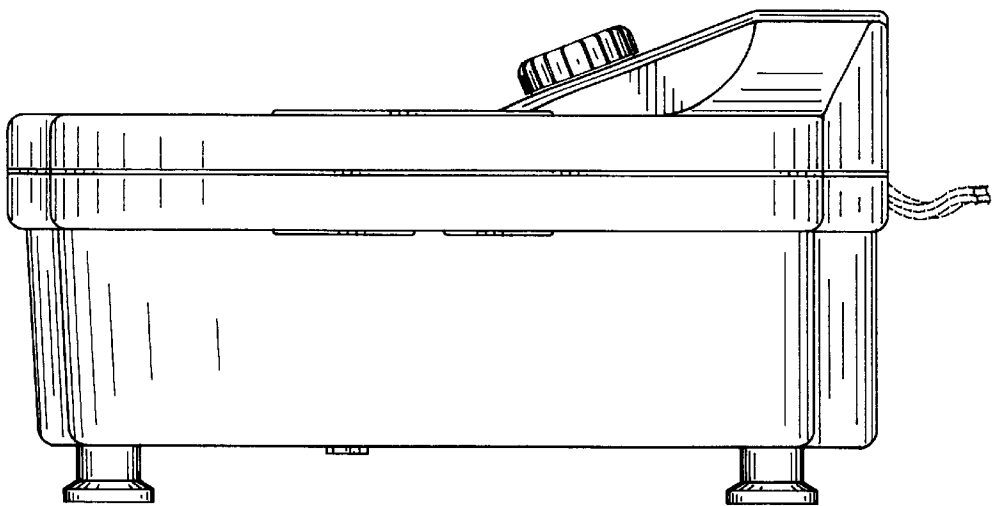


FIG. 6

UNITED STATES PATENT AND TRADEMARK OFFICE
CERTIFICATE OF CORRECTION

PATENT NO. : D.419,682

Page 1 of 2

DATED : January 25, 2000

INVENTOR(S) : Lie

It is certified that error appears in the above-identified patent and that said Letters Patent is hereby corrected as shown below:


Please replace FIG. 3 with the attached formal drawing marked FIG. 3.

Please replace FIG. 4 with the attached formal drawing marked FIG. 4.

Signed and Sealed this

Twenty-fourth Day of April, 2001

Attest:



NICHOLAS P. GODICI

Attesting Officer

Acting Director of the United States Patent and Trademark Office

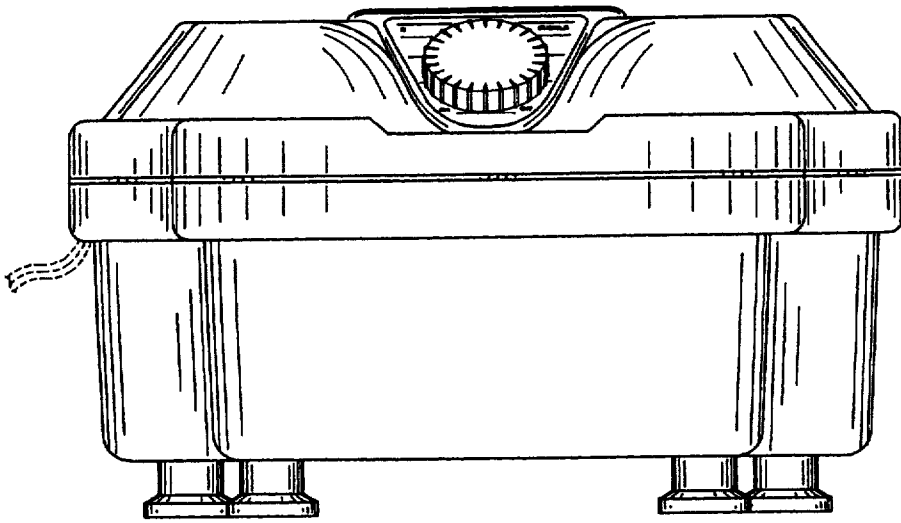


FIG. 3

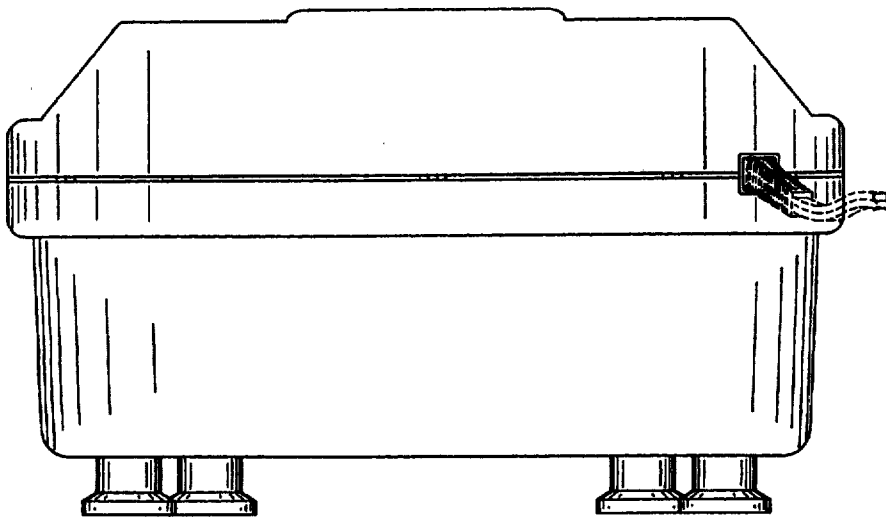


FIG. 4