



US00D890311S

(12) **United States Design Patent**  
**Belozerova et al.**

(10) **Patent No.:** **US D890,311 S**

(45) **Date of Patent:** **\*\* Jul. 14, 2020**

- (54) **SINK**
- (71) Applicant: **Zurn Industries, LLC**, Milwaukee, WI (US)
- (72) Inventors: **Vladlena Belozerova**, Philadelphia, PA (US); **Thomas W. Murray**, Philadelphia, PA (US); **Christopher J. Murray**, Philadelphia, PA (US)
- (73) Assignee: **ZURN INDUSTRIES, LLC**, Milwaukee, WI (US)
- (\*\*) Term: **15 Years**
- (21) Appl. No.: **29/621,504**
- (22) Filed: **Oct. 9, 2017**
- (51) **LOC (12) Cl.** ..... **23-02**
- (52) **U.S. Cl.**
- USPC ..... **D23/290**
- (58) **Field of Classification Search**
- USPC ..... D23/284, 293.1, 287-292, 303, 308; D9/425
- CPC ..... A47K 1/04; A47B 77/06; A47J 47/20
- See application file for complete search history.

(56) **References Cited**

**U.S. PATENT DOCUMENTS**

D391,353 S	2/1998	McKeone	
D499,797 S	12/2004	Bates	
D507,334 S *	7/2005	Ferrer Beltran	..... D23/293.1
D518,560 S *	4/2006	Arkay-Leliever	..... D23/290
D545,415 S *	6/2007	Tani	..... D23/293.1
D601,679 S *	10/2009	Soulier	..... D23/293.1
D659,811 S *	5/2012	Licini	..... D23/293.1
D697,185 S	1/2014	Spangler	
D710,978 S	8/2014	Spangler	
D744,620 S *	12/2015	Adkison	..... D23/284

(Continued)

*Primary Examiner* — Brandon M Rosati  
*Assistant Examiner* — John A Voytek  
 (74) *Attorney, Agent, or Firm* — Michael Best & Friedrich LLP

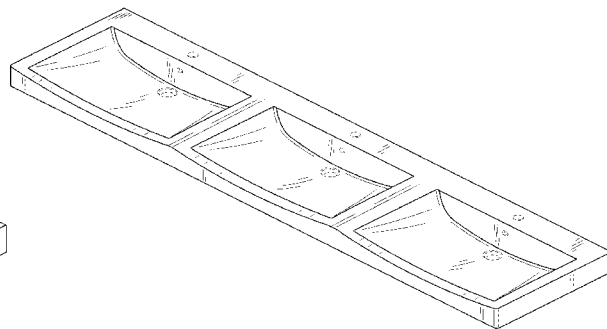
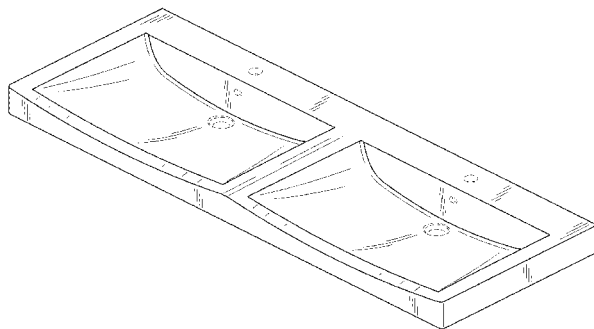
(57) **CLAIM**

The ornamental design for a sink, as shown and described.

**DESCRIPTION**

FIG. 1 is a top, front, and right side perspective view of a sink in accordance with a first embodiment of the design in which the sink has two basins, each basin being identical; FIG. 2 is a top plan view of the sink of FIG. 1; FIG. 3 is a front elevational view of the sink of FIG. 1; FIG. 4 is a rear elevational view of the sink of FIG. 1; FIG. 5 is a right side elevational view of the sink of FIG. 1; FIG. 6 is a left side elevational view of the sink of FIG. 1; FIG. 7 is a bottom plan view of the sink of FIG. 1; FIG. 8 is a cross-sectional side view of the sink taken through line 8-8 of FIG. 2; FIG. 9 is a top, front, and right side perspective view of a sink in accordance with a second embodiment of the design in which the sink has three basins, each basin being identical; FIG. 10 is a top plan view of the sink of FIG. 9; FIG. 11 is a front elevational view of the sink of FIG. 9; FIG. 12 is a rear elevational view of the sink of FIG. 9; FIG. 13 is a right side elevational view of the sink of FIG. 9; FIG. 14 is a left side elevational view of the sink of FIG. 9; FIG. 15 is a bottom plan view of the sink of FIG. 9; and, FIG. 16 is a cross-sectional side view of the sink taken through line 16-16 of FIG. 10. The dash-dash broken lines are for the purpose of illustrating unclaimed subject matter only and form no part of the claimed design.

**1 Claim, 10 Drawing Sheets**



(56)

**References Cited**

U.S. PATENT DOCUMENTS

D745,122	S	12/2015	Schonherr et al.	
D745,951	S	12/2015	Schonherr et al.	
D791,288	S *	7/2017	Schonherr .....	D23/284
D800,278	S *	10/2017	Breda .....	D23/284
D804,621	S *	12/2017	Brandli .....	D23/293.1
D810,896	S *	2/2018	Streng .....	D23/293.1
D838,351	S *	1/2019	Yoshihara .....	D23/284
2014/0223658	A1 *	8/2014	Kempen .....	E03C 1/244 4/651

\* cited by examiner

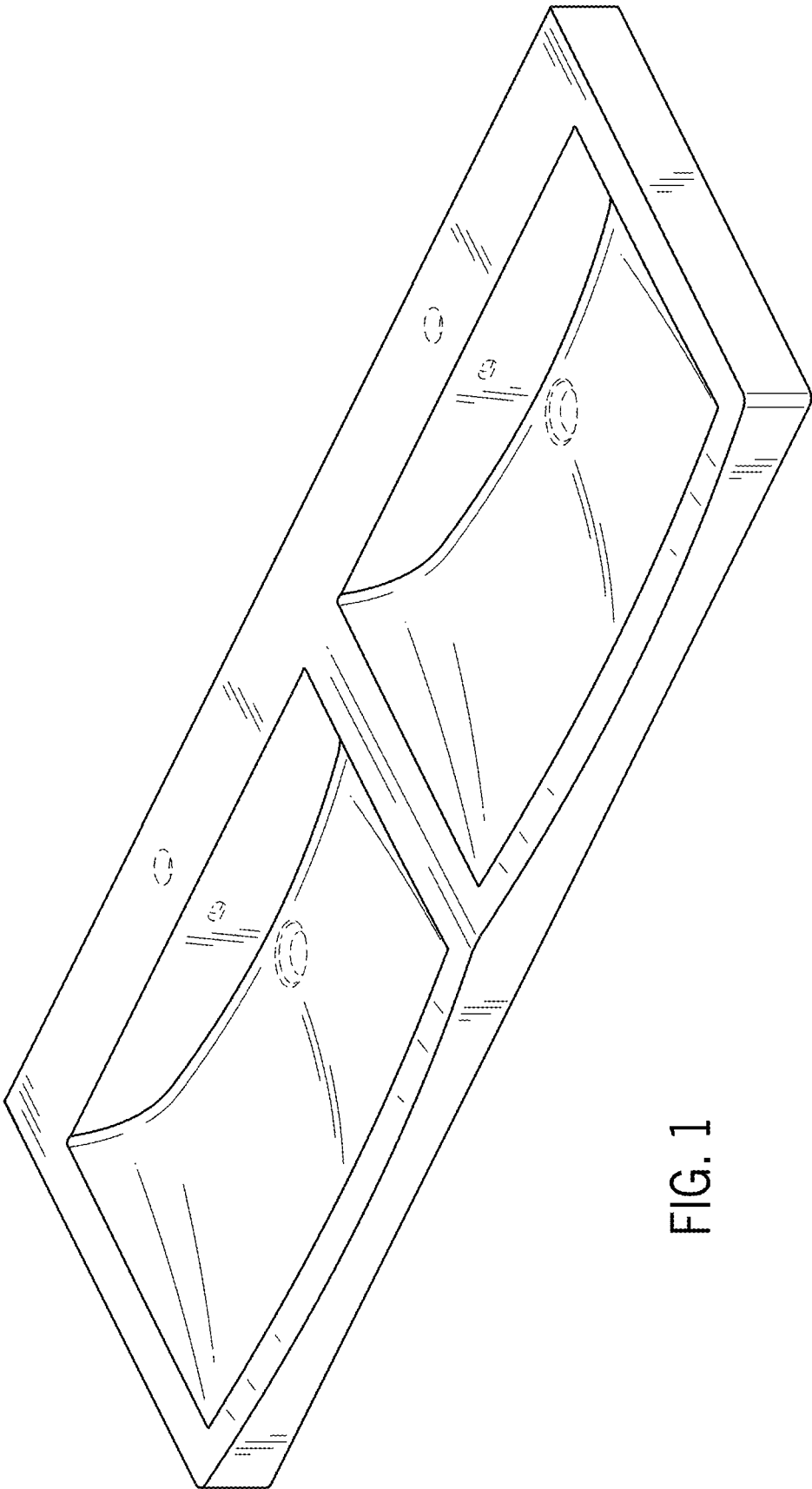


FIG. 1

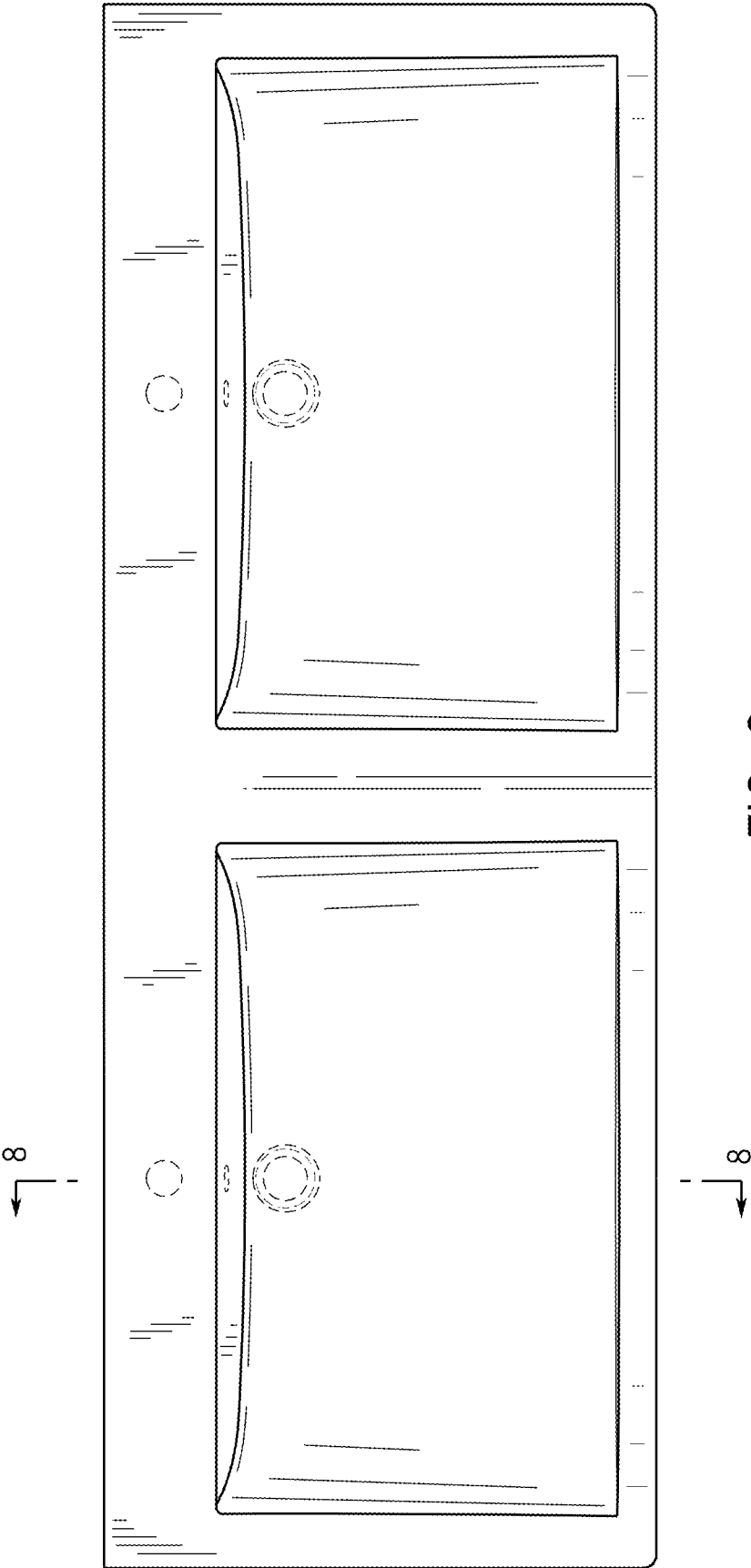


FIG. 2

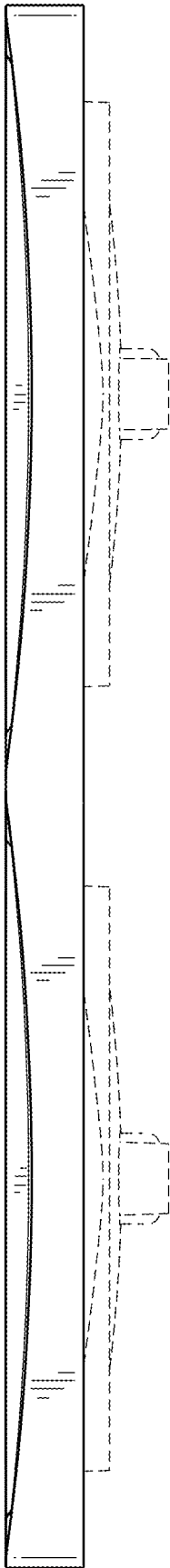


FIG. 3

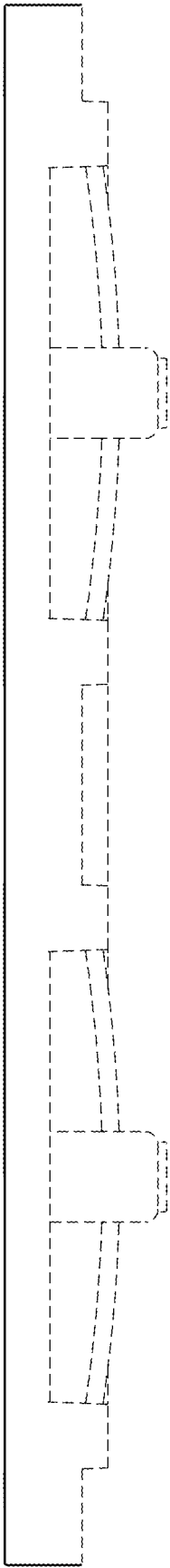


FIG. 4

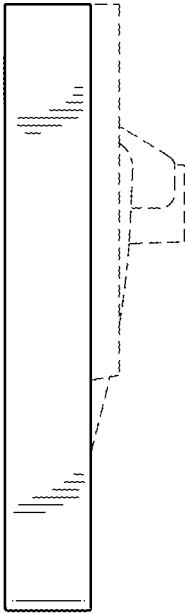


FIG. 5

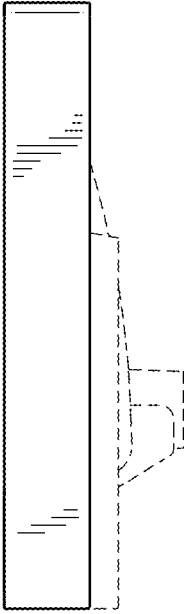


FIG. 6

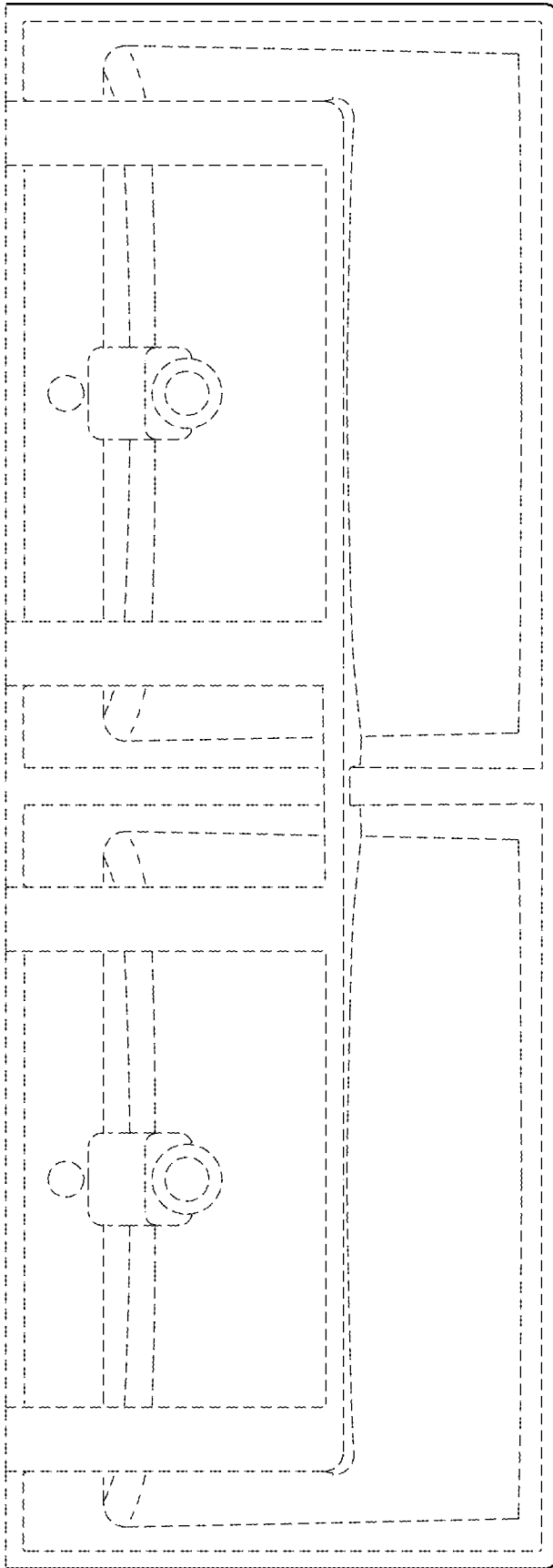


FIG. 7

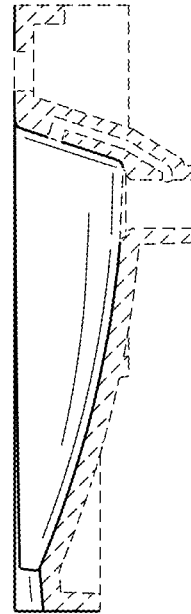


FIG. 8

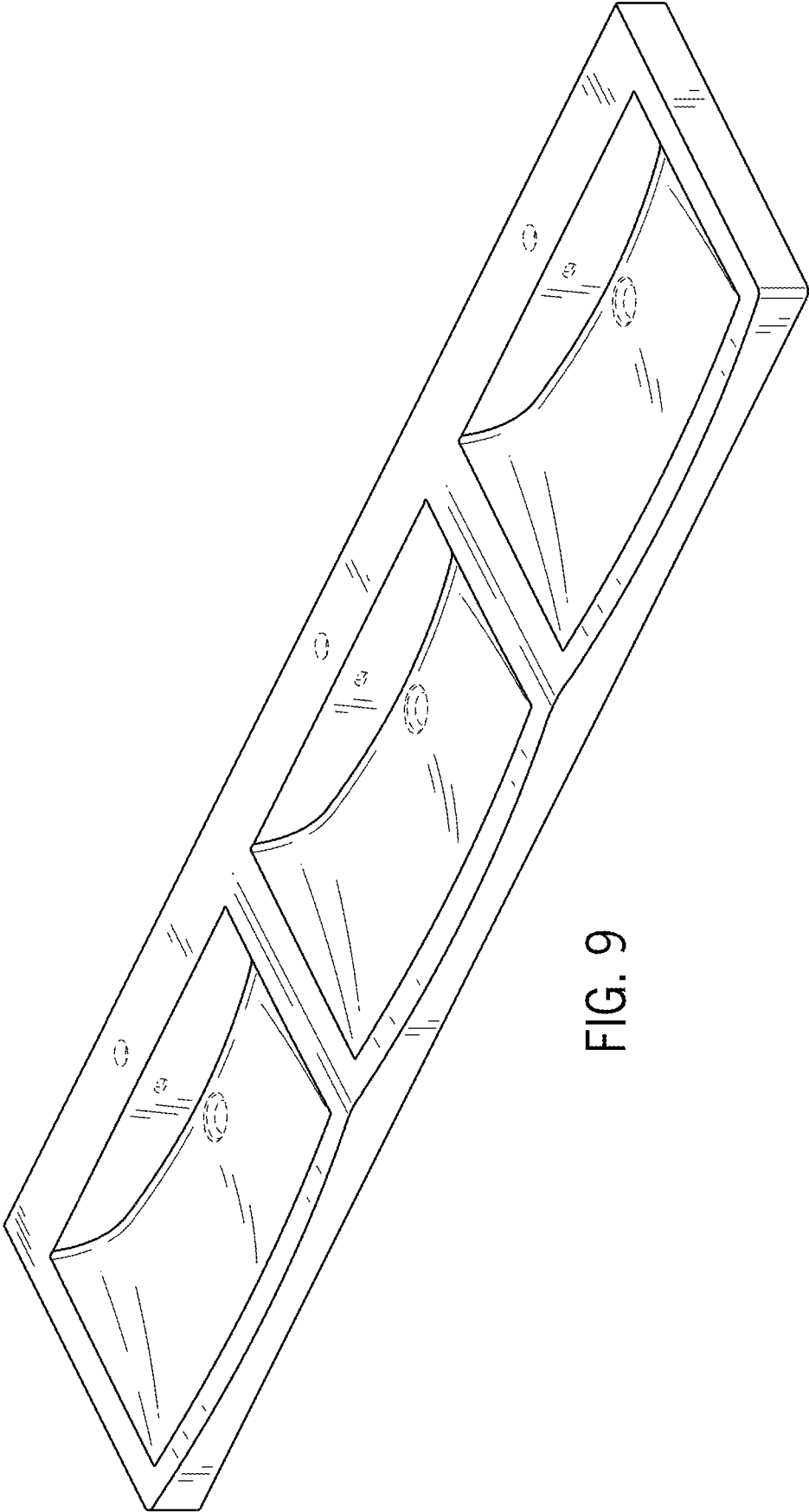


FIG. 9



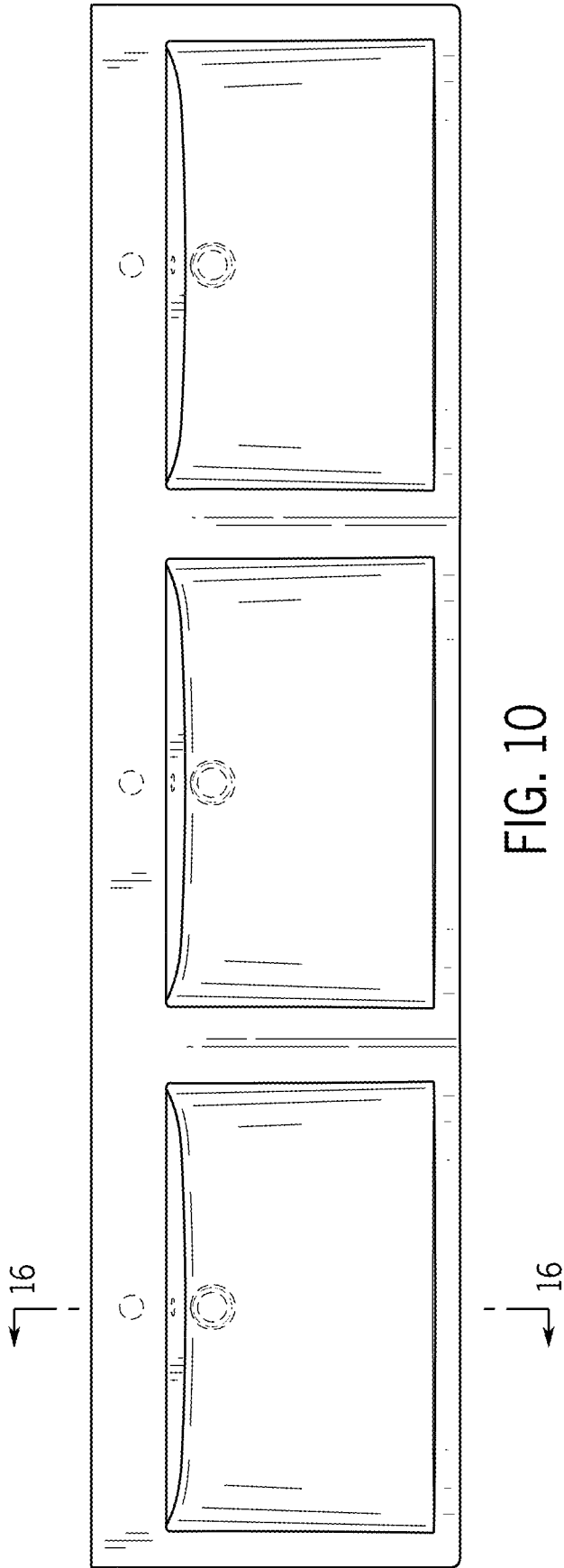


FIG. 10

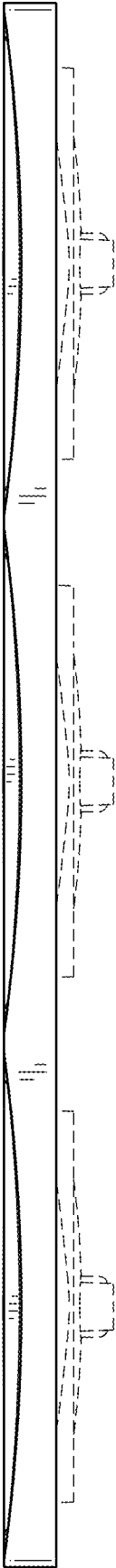


FIG. 11

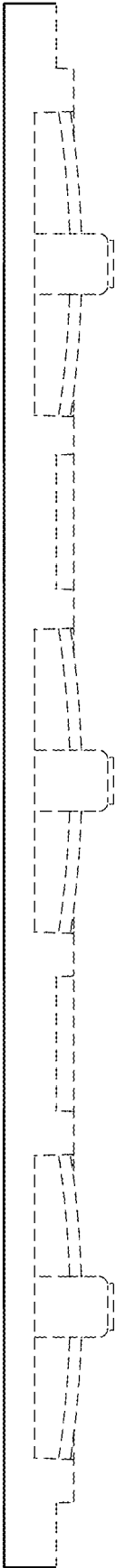


FIG. 12

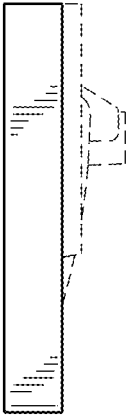


FIG. 13

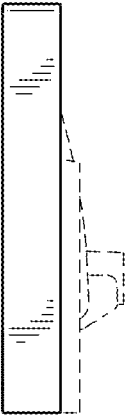


FIG. 14

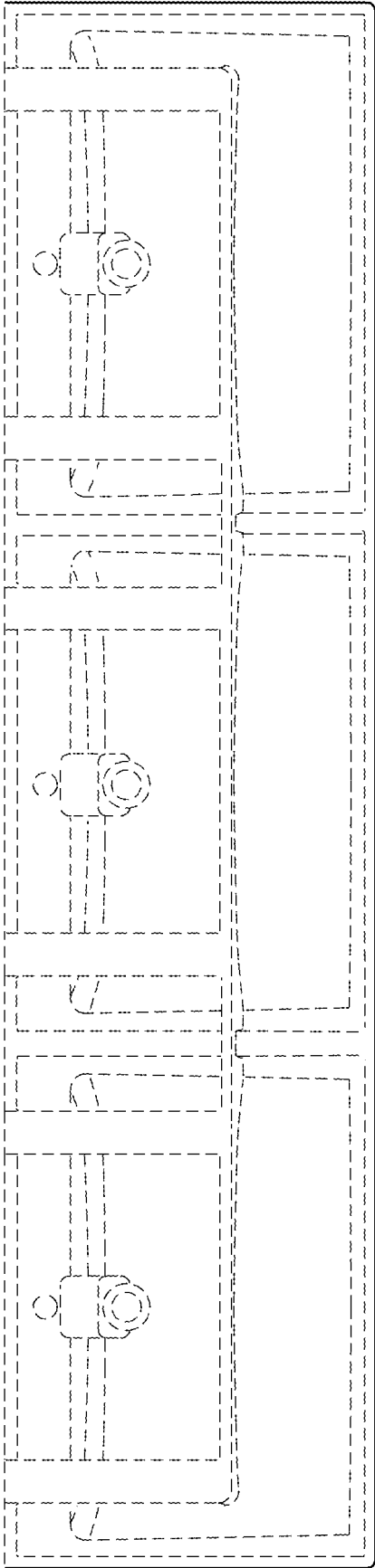


FIG. 15

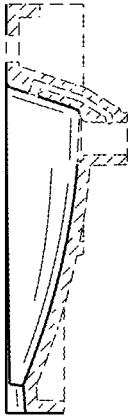


FIG. 16