



US00D335065S

**United States Patent** [19]  
**Gildersleeve**

[11] **Patent Number: Des. 335,065**  
[45] **Date of Patent: \*\* Apr. 27, 1993**

[54] **FOOD PROCESSOR**

[75] **Inventor: Paul Gildersleeve, Ridgefield, Conn.**

[73] **Assignee: Black & Decker Inc., Newark, Del.**

[\*\*] **Term: 14 Years**

[21] **Appl. No.: 633,445**

[22] **Filed: Dec. 21, 1990**

[52] **U.S. Cl. .... D7/384; D7/376**

[58] **Field of Search ..... D7/376, 381, 383, 384,  
D7/386; 241/37.5, 101.1, 199.12, 282.1, 282.2,  
92, 93**

[56] **References Cited**

**U.S. PATENT DOCUMENTS**

- D. 261,718 11/1981 Harrison ..... D7/384
- D. 290,676 7/1987 Stutzer et al. .... D7/384
- D. 309,082 7/1990 Hattle et al. .... D7/384

**OTHER PUBLICATIONS**

Hong Kong Enterprize; Jun. 1983; p. 249; Food Center Blender/Processor top of page.  
Black & Decker Household Products Catalog; 1989-1990; Shortcut II Processor #CFP20 & Super Chopper #SC25.  
Best Catalog; 1989-1990; p. 159; #23 Black & Decker HMP30 Handy Shortcut Micro-Processor.

*Primary Examiner*—Alan P. Douglas  
*Assistant Examiner*—Caron D. Veynar  
*Attorney, Agent, or Firm*—Barry E. Deutsch

[57] **CLAIM**

The ornamental design for a food processor, as shown and described.

**DESCRIPTION**

FIG. 1 is a perspective view of a food processor showing my new design;  
FIG. 2 is a front elevational view thereof;  
FIG. 3 is a right side elevational view thereof;  
FIG. 4 is a top plan view thereof;  
FIG. 5 is a bottom plan view thereof;  
FIG. 6 is a left side elevational view thereof; and,  
FIG. 7 is a rear elevational view thereof.

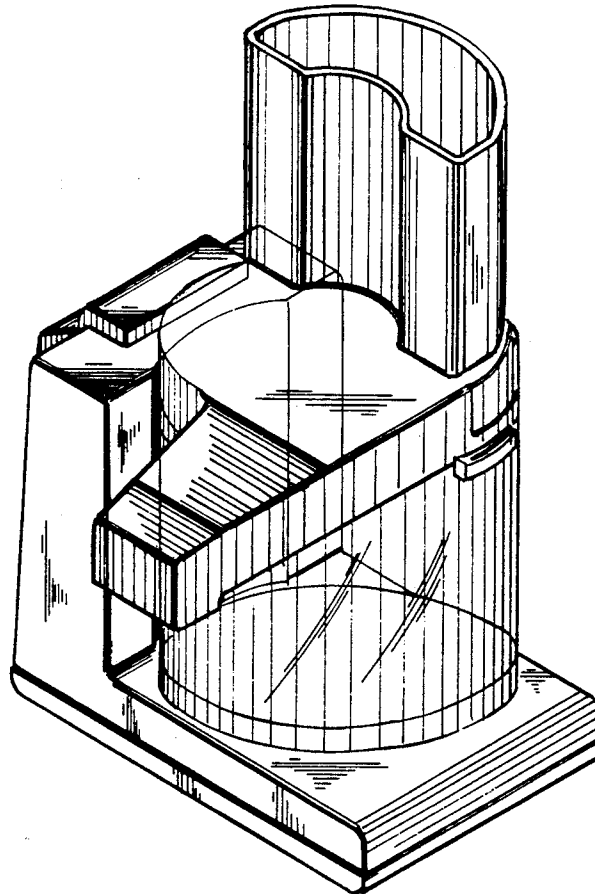
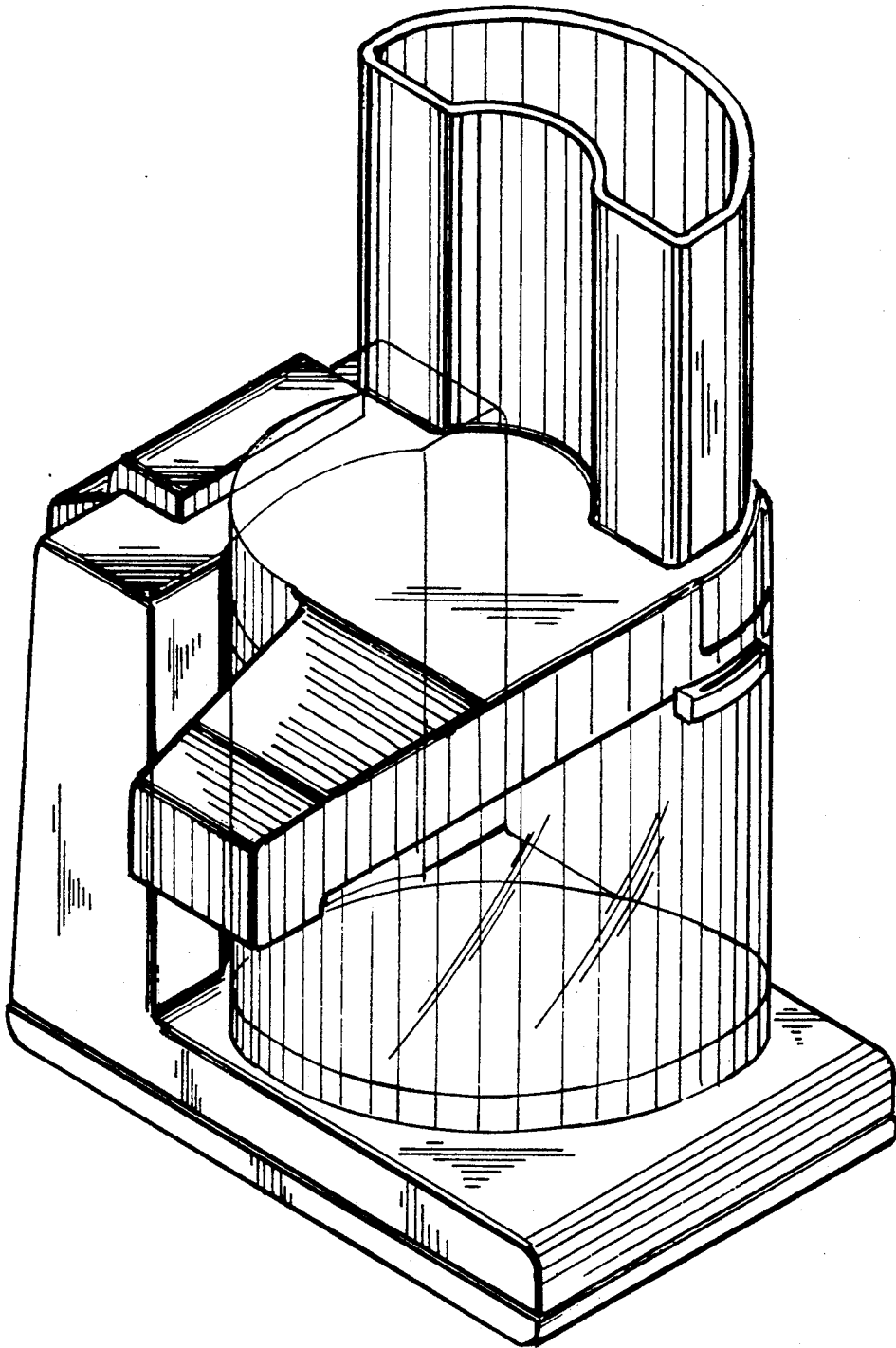


FIG. 1



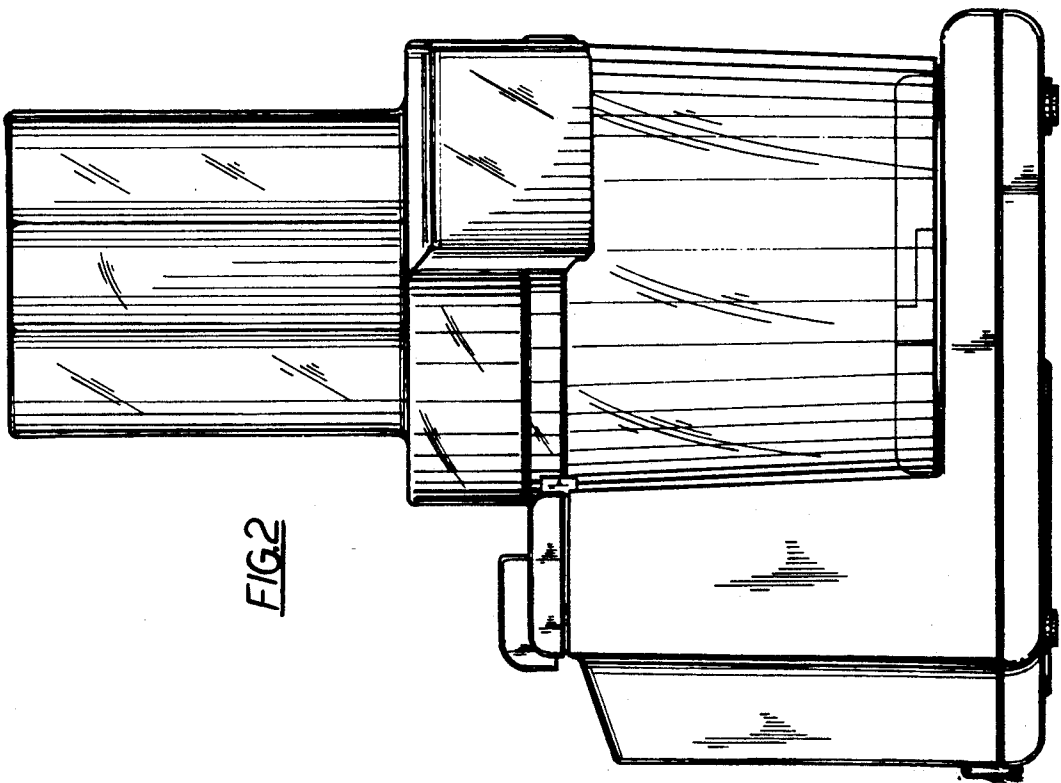
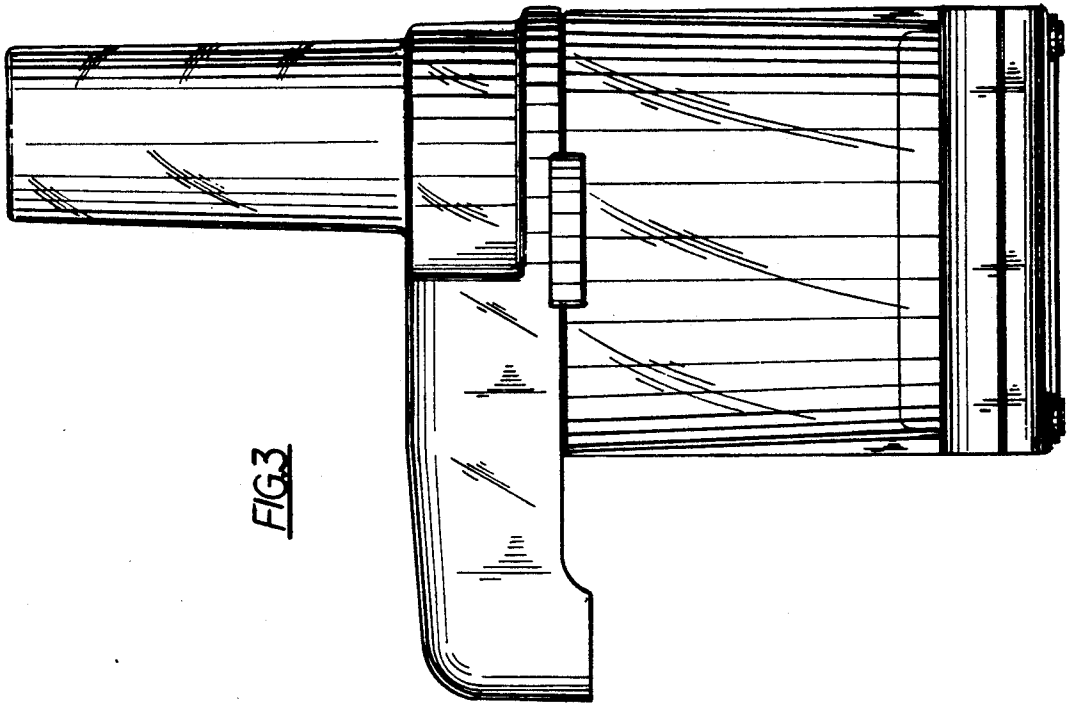


FIG.4

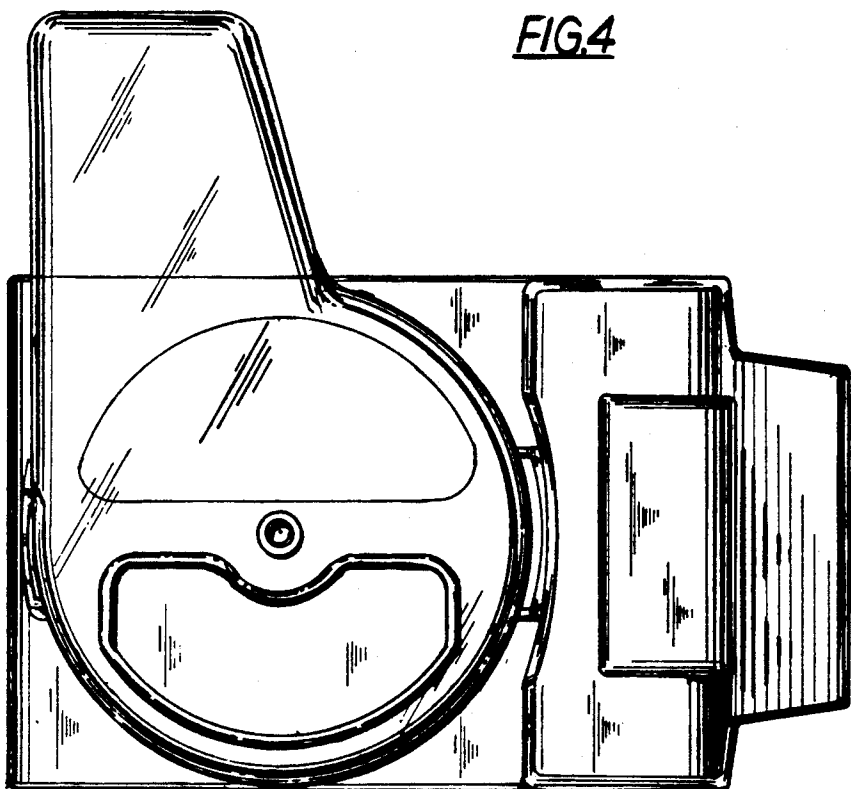


FIG.5

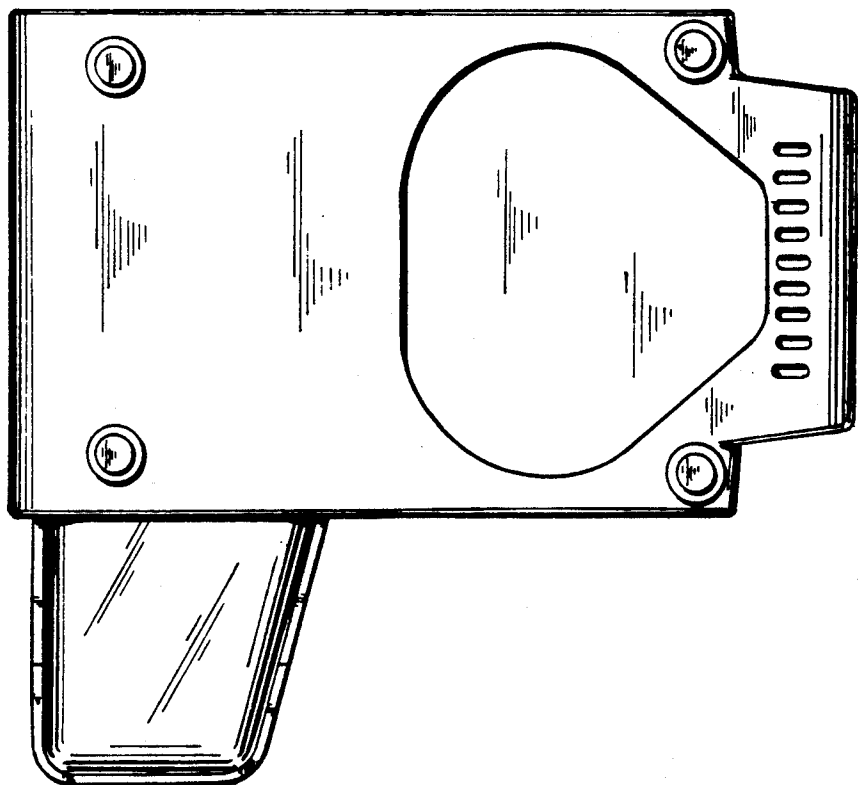


FIG.6

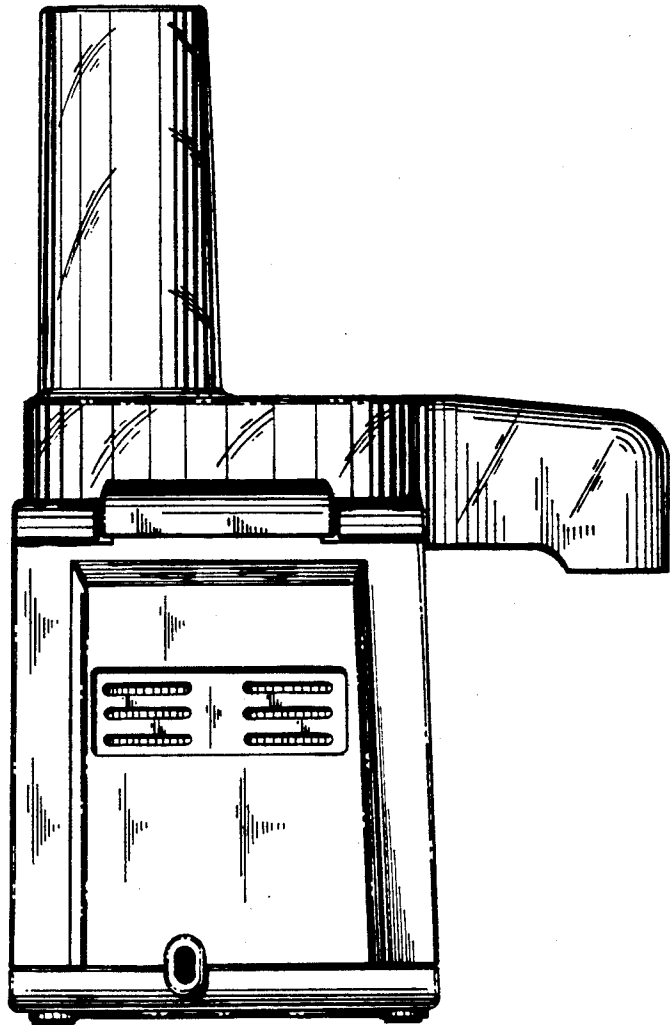


FIG.7

