



US00D771223S

(12) **United States Design Patent** (10) **Patent No.:** **US D771,223 S**
Rycroft (45) **Date of Patent:** **** Nov. 8, 2016**

(54) **VALVE** D676,942 S 2/2013 Kluss et al.
D676,943 S 2/2013 Kluss et al.
(71) Applicant: **GSA Industries (Aust.) Pty. Ltd.,** D690,390 S * 9/2013 Garm D23/233
Melbourne (AU) D693,429 S 11/2013 Thibodeaux, Jr.
D698,010 S * 1/2014 Boyer D23/235
(72) Inventor: **Alexander Neal Rycroft,** Petrie Terrace D705,396 S * 5/2014 Roden D23/233
(AU) D720,048 S * 12/2014 Winborn D23/233
D722,362 S 2/2015 Kluss et al.
D722,363 S 2/2015 Kluss et al.
(73) Assignee: **Reliance Worldwide Corporation** D746,951 S * 1/2016 Gledhill D23/259
(Aust.) Pty. Ltd., Melbourne (AU) D746,954 S * 1/2016 Gledhill D23/259
D750,744 S * 3/2016 Liljeqvist D23/233

(**) Term: **14 Years**

FOREIGN PATENT DOCUMENTS

(21) Appl. No.: **29/520,837**

EP 0897082 A1 2/1999

(22) Filed: **Mar. 18, 2015**

* cited by examiner

(30) **Foreign Application Priority Data**

Primary Examiner — Cynthia Ramirez

Assistant Examiner — Gino Colan

Sep. 22, 2014 (AU) 201414812

(74) *Attorney, Agent, or Firm* — Bush Intellectual Property Law; Kenneth M. Bush

(51) **LOC (10) Cl.** **23-01**

(52) **U.S. Cl.**

(57) **CLAIM**

The ornamental design for a valve, as shown and described.

USPC **D23/233**

(58) **Field of Classification Search**

DESCRIPTION

USPC D23/233–250, 259, 266; 137/488, 12,
137/14, 15.19, 493, 486, 505.11, 557, 227,
137/558, 883, 109, 115.16, 118.01, 226;
251/12, 129.06, 113, 325
CPC F16K 31/12; F16K 1/307; F16K 1/305
See application file for complete search history.

FIG. 1 is a front perspective view of the valve showing my new design;
FIG. 2 is a rear perspective view thereof;
FIG. 3 is a front elevational view thereof;
FIG. 4 is a rear elevational view thereof;
FIG. 5 is a left elevational view thereof;
FIG. 6 is a right elevational view thereof;
FIG. 7 is a top plan view thereof; and,
FIG. 8 is a bottom plan view thereof.

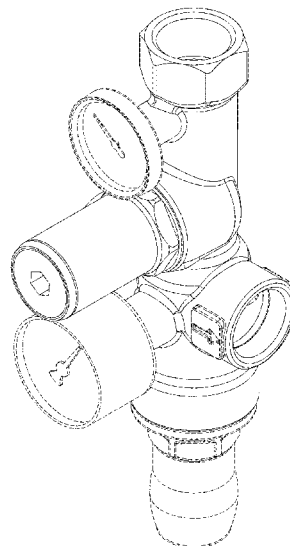
The broken lines in the drawings are included for the purpose of illustrating portions of the valve and form no part of the claimed design.

(56) **References Cited**

U.S. PATENT DOCUMENTS

D545,406 S * 6/2007 Surinak D23/266
D667,930 S * 9/2012 Yamada D23/233
8,322,755 B2 12/2012 Kluss et al.
8,327,871 B1 12/2012 Franklin et al.
D676,940 S 2/2013 Kluss et al.
D676,941 S 2/2013 Kluss et al.

1 Claim, 7 Drawing Sheets



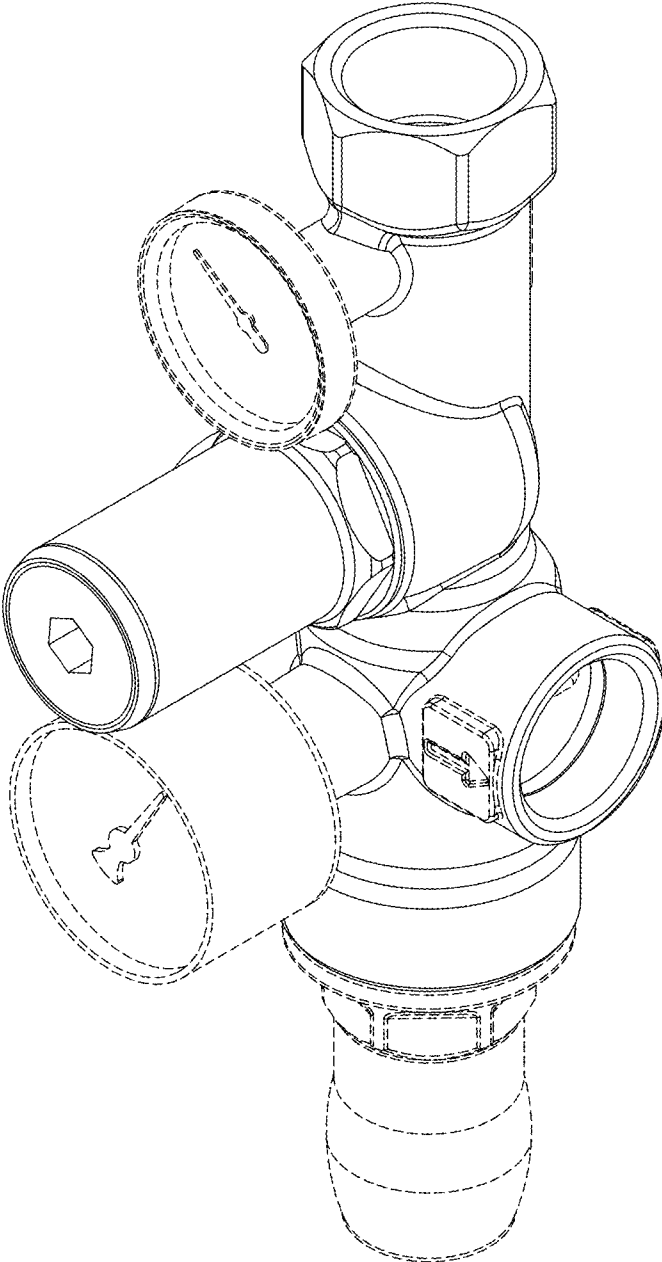


FIG. 1

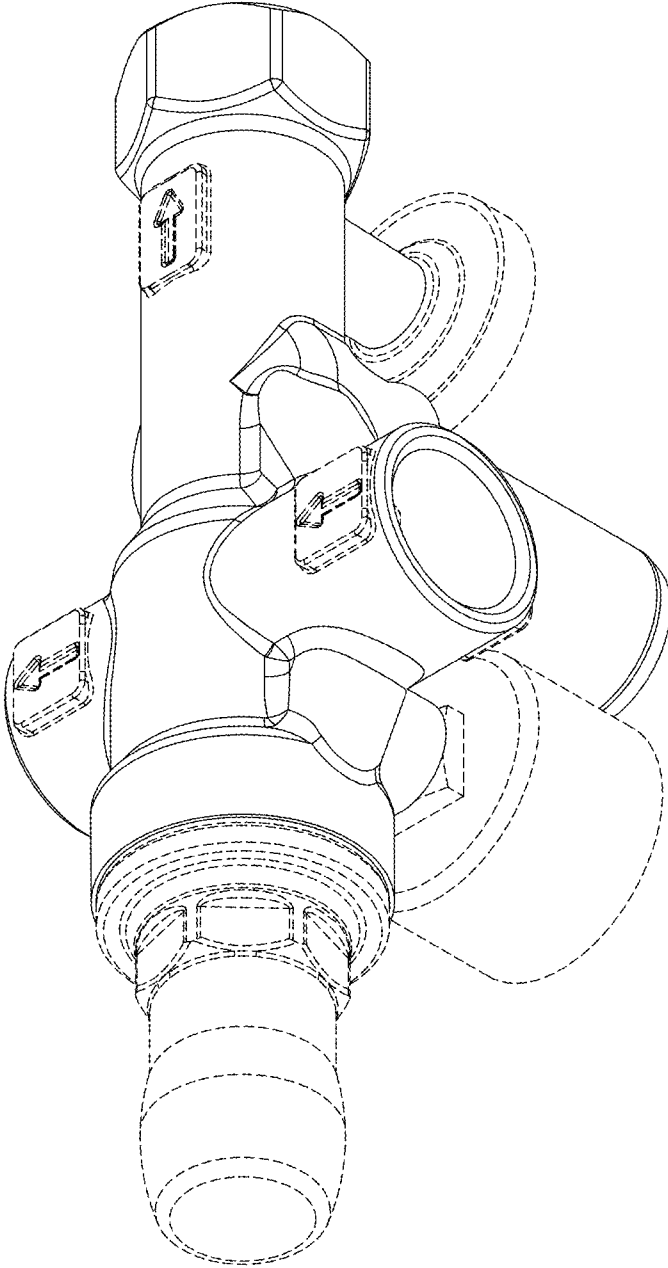


FIG. 2

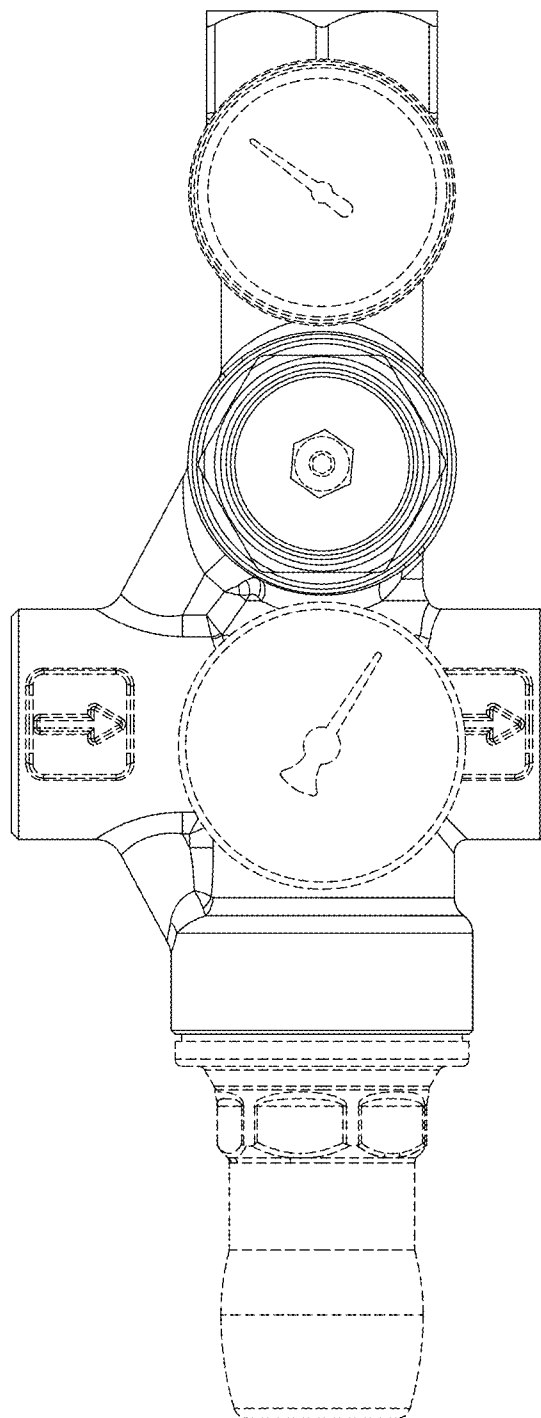


FIG. 3

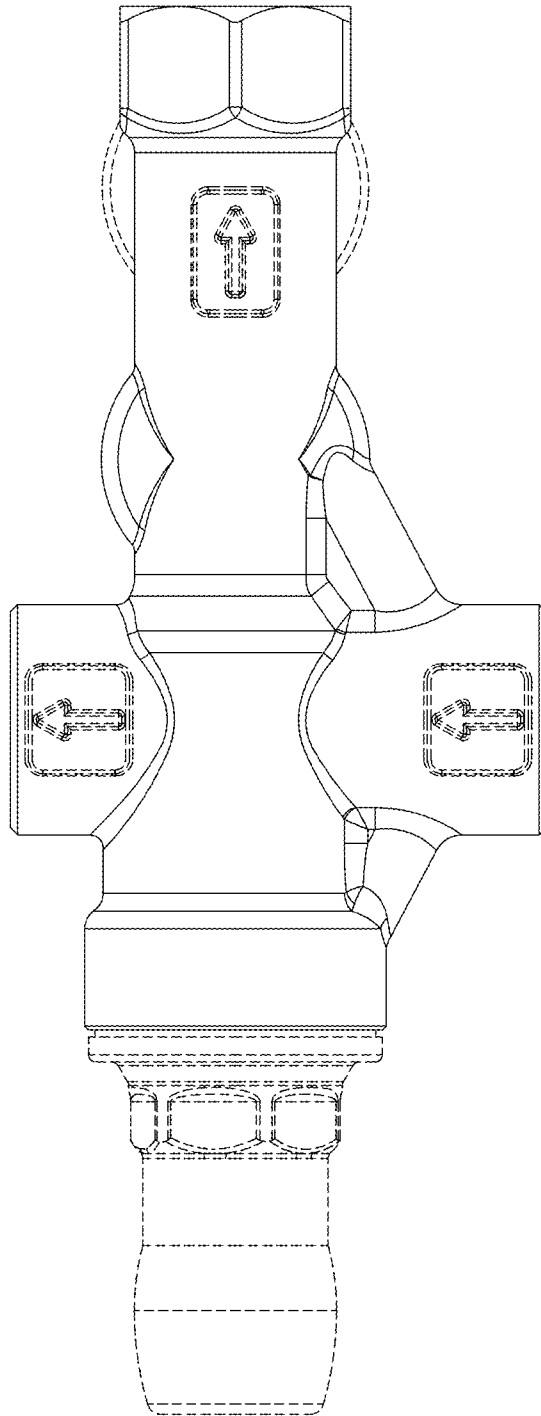


FIG. 4

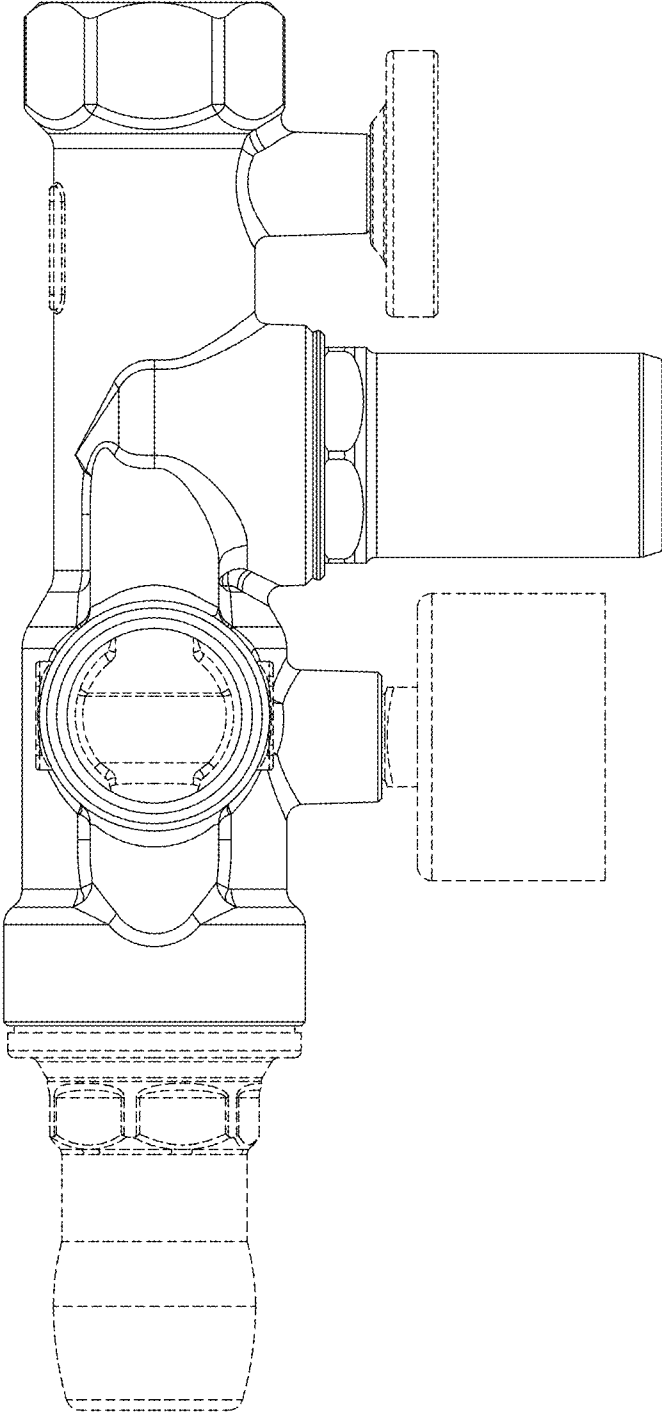


FIG. 5

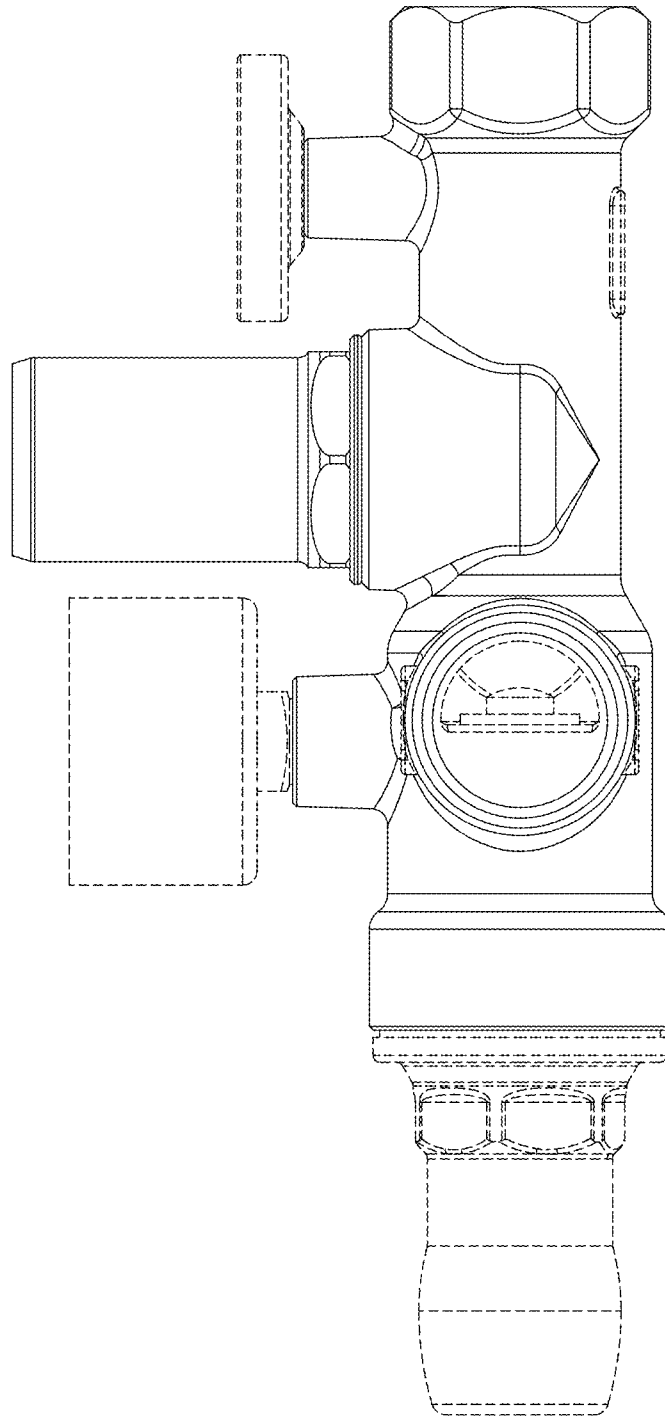


FIG. 6

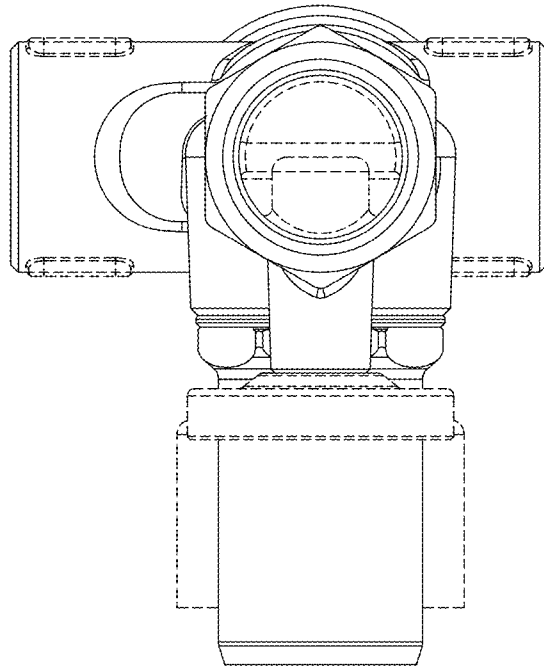


FIG. 7

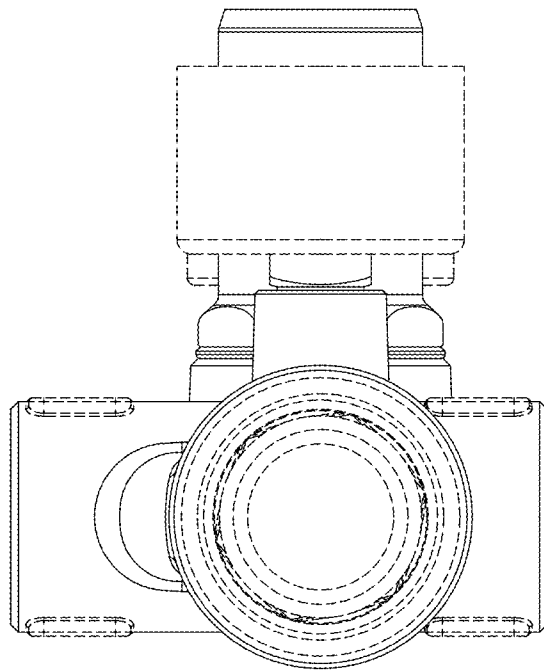


FIG. 8