



US00D355502S

# United States Patent [19]

[11] **Patent Number: Des. 355,502**

Liao

[45] **Date of Patent: \*\* Feb. 14, 1995**

[54] **ADJUSTABLE OUTDOOR LAMP HOUSING**

D. 308,111	5/1990	Banathy et al.	.....	D26/63 X
3,254,205	5/1966	Cobb	.....	362/269 X
5,146,392	9/1992	Kasboske	.....	362/362 X

[75] **Inventor: Chin-Chung Liao, Taipei, Taiwan, Prov. of China**

*Primary Examiner*—Susan J. Lucas  
*Attorney, Agent, or Firm*—Knobbe, Martens, Olson & Bear

[73] **Assignee: Sun Luck Electrical Equipment Co., Ltd., Taipei, Taiwan, Prov. of China**

[\*\*] **Term: 14 Years**

### [57] CLAIM

[21] **Appl. No.: 13,231**

The ornamental design for adjustable outdoor lamp housing, as shown and described.

[22] **Filed: Sep. 21, 1993**

### DESCRIPTION

[52] **U.S. Cl. .... D26/67; D26/63**

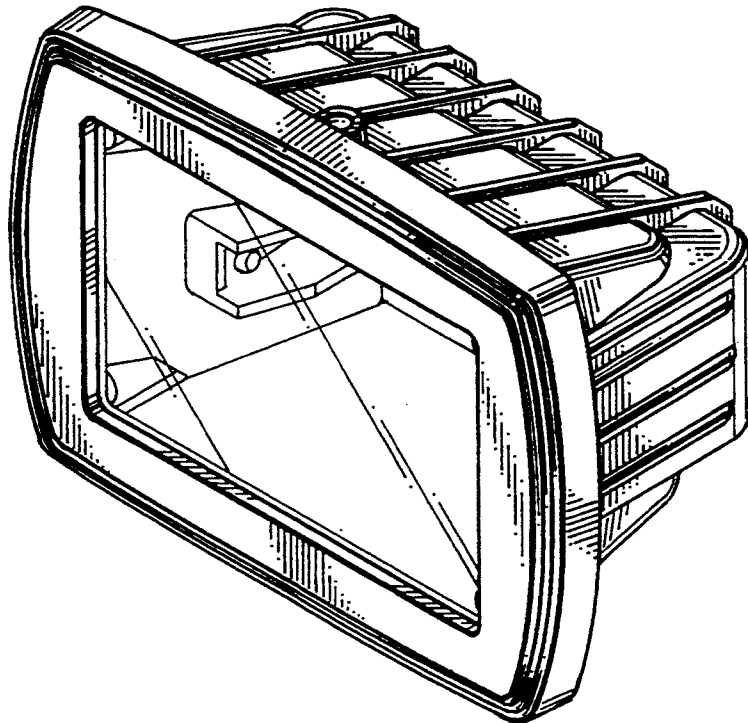
[58] **Field of Search .... D26/67-71, D26/60, 61, 63, 65; 362/145, 147, 153, 153.1, 431, 432, 362, 269, 271, 275, 418, 419, 427**

FIG. 1 is a perspective view of adjustable outdoor lamp housing showing my new design;  
FIG. 2 is a front elevational view thereof;  
FIG. 3 is a rear elevational view thereof;  
FIG. 4 is a left side elevational view thereof;  
FIG. 5 is a right side elevational view thereof;  
FIG. 6 is a top plan view thereof; and,  
FIG. 7 is a bottom plan view thereof.

### [56] References Cited

#### U.S. PATENT DOCUMENTS

D. 295,791 5/1988 Strandberg ..... D26/63



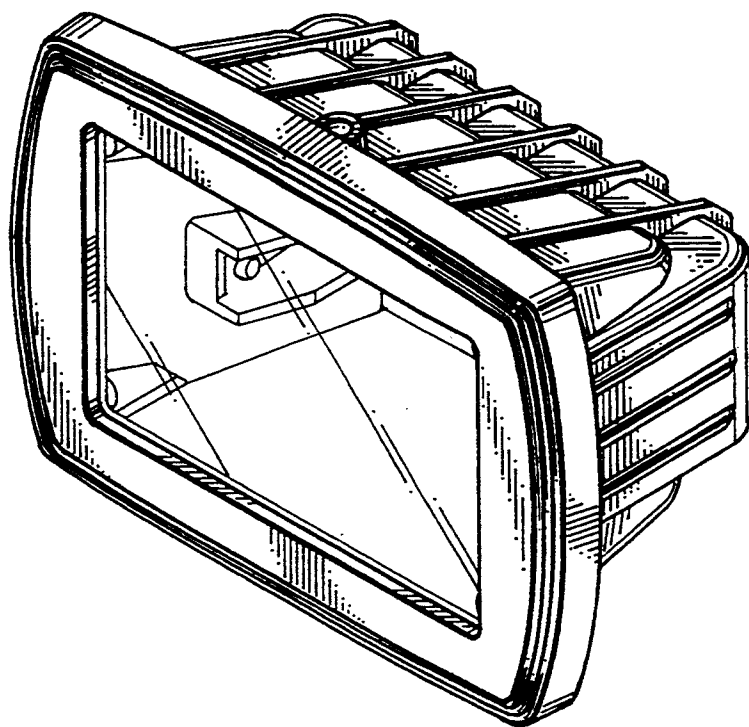


FIG.1

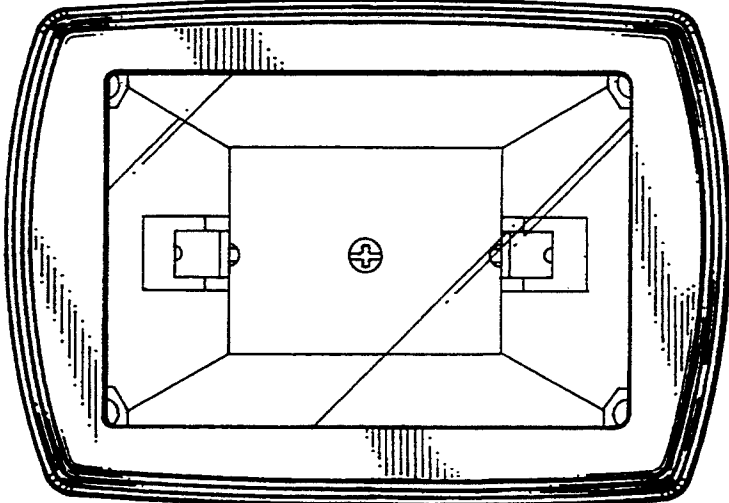


FIG. 2

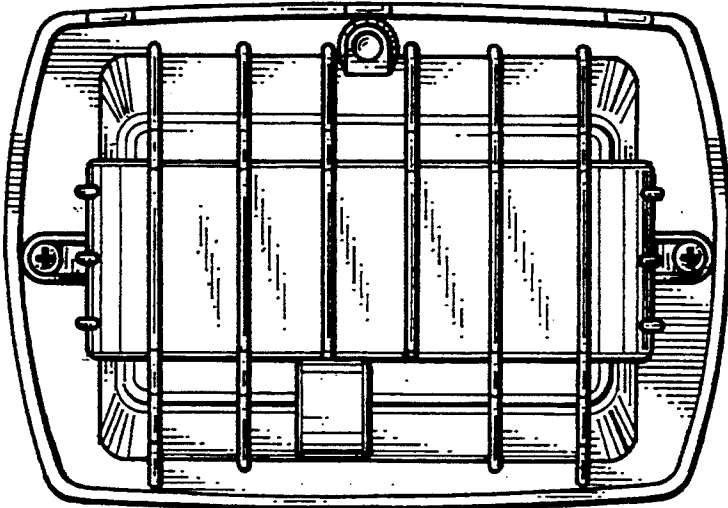


FIG. 3

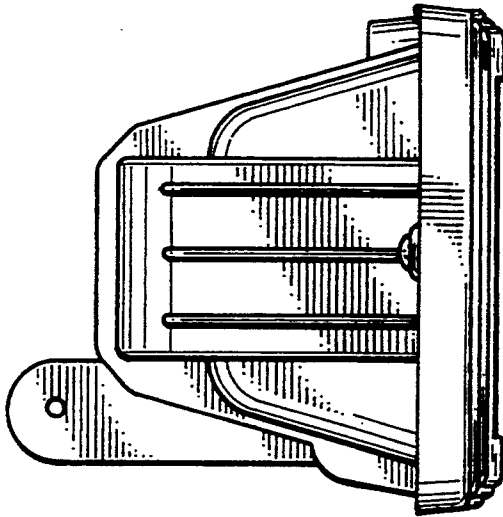


FIG. 4

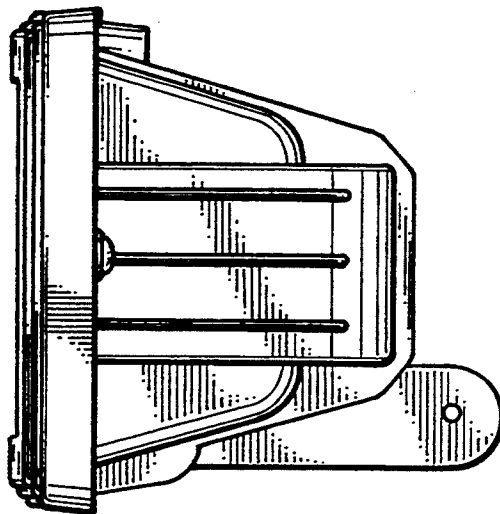


FIG. 5

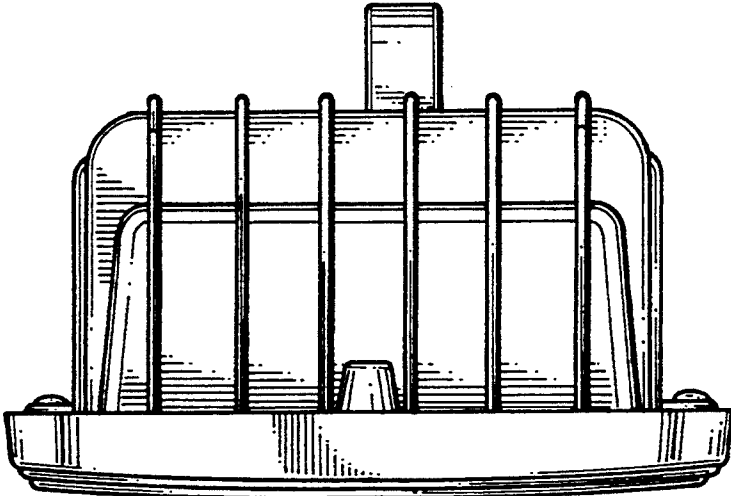


FIG. 6

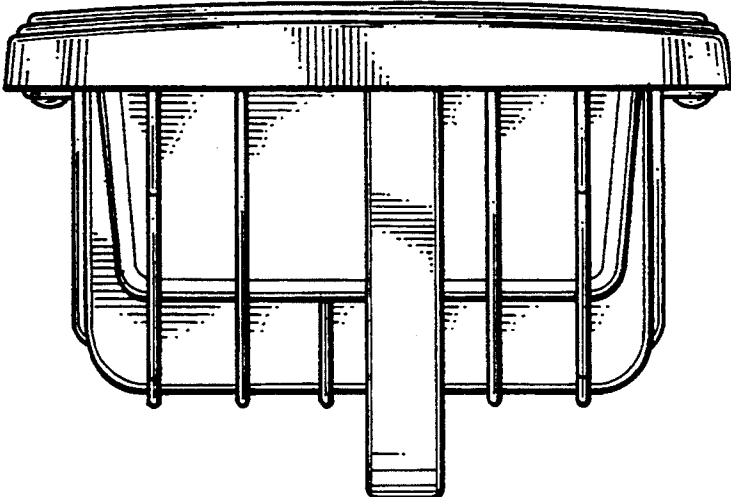


FIG. 7