



US00D873402S

(12) **United States Design Patent**
Brandenburg

(10) **Patent No.:** **US D873,402 S**

(45) **Date of Patent:** **** Jan. 21, 2020**

(54) **AIR FRESHENER CONTAINER AND LID**

(57) **CLAIM**

The ornamental design for an air freshener container and lid, as shown and described.

(71) Applicant: **Brandywine Product Group International, Inc.**, Wilmington, DE (US)

DESCRIPTION

(72) Inventor: **Kyle Brandenburg**, Middletown, DE (US)

FIG. 1 is a right front perspective view of an air freshener container and lid;

FIG. 2 is a left bottom perspective view of the air freshener container and lid of FIG. 1;

(73) Assignee: **Brandywine Product Group International, Inc.**, Wilmington, DE (US)

FIG. 3 is a top plan view of the air freshener container and lid of FIG. 1;

FIG. 4 is a bottom plan view of the air freshener container and lid of FIG. 1;

(**) Term: **15 Years**

FIG. 5 is right side elevational view of the air freshener container and lid of FIG. 1;

(21) Appl. No.: **29/657,489**

FIG. 6 is a left side elevational view of the air freshener container and lid of FIG. 1;

(22) Filed: **Jul. 23, 2018**

FIG. 7 is a front elevational view of the air freshener container and lid of FIG. 1;

(51) **LOC (12) Cl.** **23-04**

FIG. 8 is a rear elevational view of the air freshener container and lid of FIG. 1;

(52) **U.S. Cl.**

USPC **D23/366**

FIG. 9 is a right front perspective view of an air freshener lid;

(58) **Field of Classification Search**

USPC D23/208, 355-369; D14/209.1, 212-213

CPC A61L 9/02; A61L 9/03; A61L 9/12; A61L

9/035; A61L 9/125

See application file for complete search history.

FIG. 10 is a left bottom perspective view of the air freshener lid of FIG. 9;

FIG. 11 is a top plan view of the air freshener lid of FIG. 9;

FIG. 12 is a bottom plan view of the air freshener lid of FIG. 9;

(56) **References Cited**

U.S. PATENT DOCUMENTS

D491,257 S * 6/2004 Picken, Jr. D23/366

D606,642 S * 12/2009 Weggelaar D23/366

D641,464 S 7/2011 DeHaan et al.

D645,949 S 9/2011 Brandenburg et al.

D707,805 S * 6/2014 Brewer D23/366

8,978,999 B2 3/2015 Lesniak et al.

(Continued)

FIG. 13 is a right side elevational view of the air freshener lid of FIG. 9;

FIG. 14 is a left side elevational view of the air freshener lid of FIG. 9;

FIG. 15 is a front elevational view of the air freshener lid of FIG. 9; and,

FIG. 16 is a rear elevational view of the air freshener lid of FIG. 9.

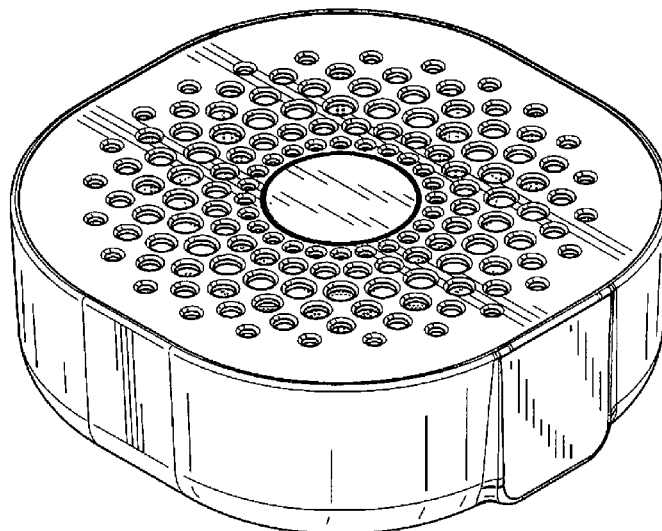
The broken lines showing portions of the air freshener container and lid are included for the purpose of illustrating the portions of the article and form no part of the claimed design.

Primary Examiner — Sheryl Lane

Assistant Examiner — Calvin E Vansant

(74) *Attorney, Agent, or Firm* — Rogowski Law LLC

1 Claim, 8 Drawing Sheets



(56)

References Cited

U.S. PATENT DOCUMENTS

D743,519	S	*	11/2015	Furner	D23/366
D767,108	S		9/2016	Brandenburg		
D798,430	S	*	9/2017	Nord	D23/364
D799,018	S	*	10/2017	Kim	D23/366
D803,073	S	*	11/2017	Ji	D10/52
D817,469	S	*	5/2018	Lane	D23/366
D820,238	S	*	6/2018	Boshernitzan	D14/218
D836,760	S	*	12/2018	Fredang	D23/364
D837,355	S	*	1/2019	Gunnefur	D23/364
D844,765	S	*	4/2019	Zhang	D23/364
D853,547	S	*	7/2019	Avidor	D23/366

* cited by examiner

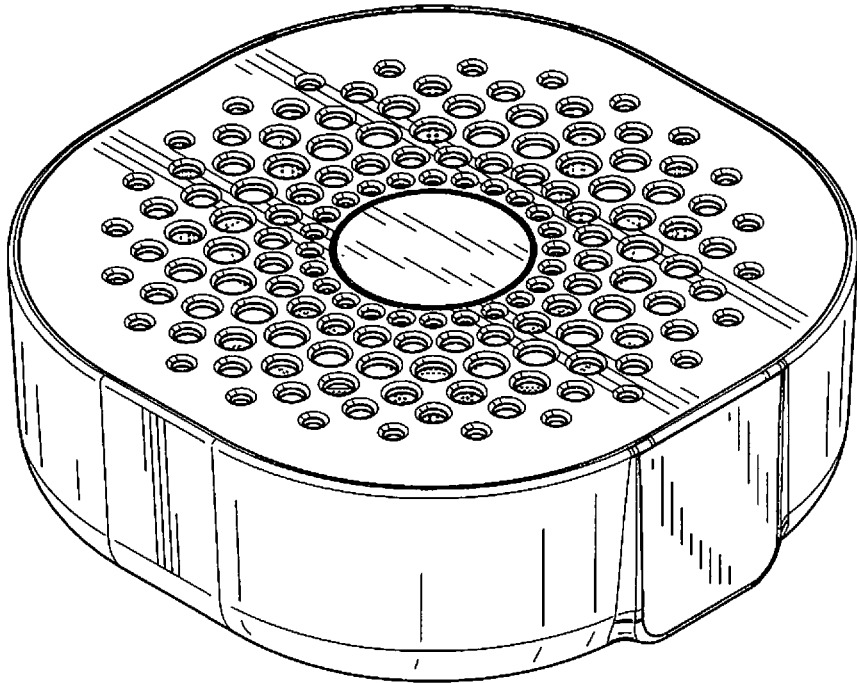


FIG. 1

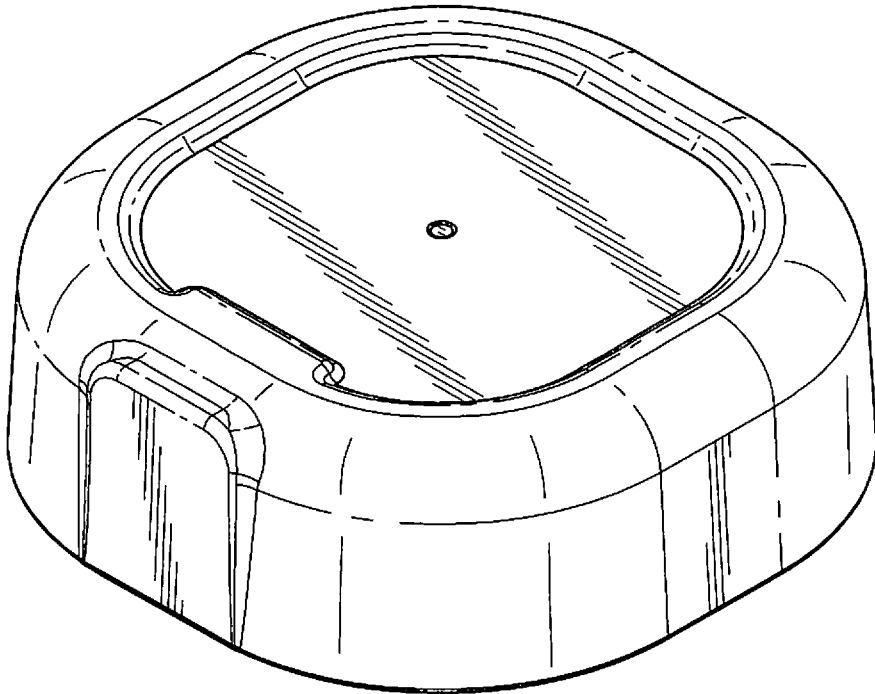


FIG. 2

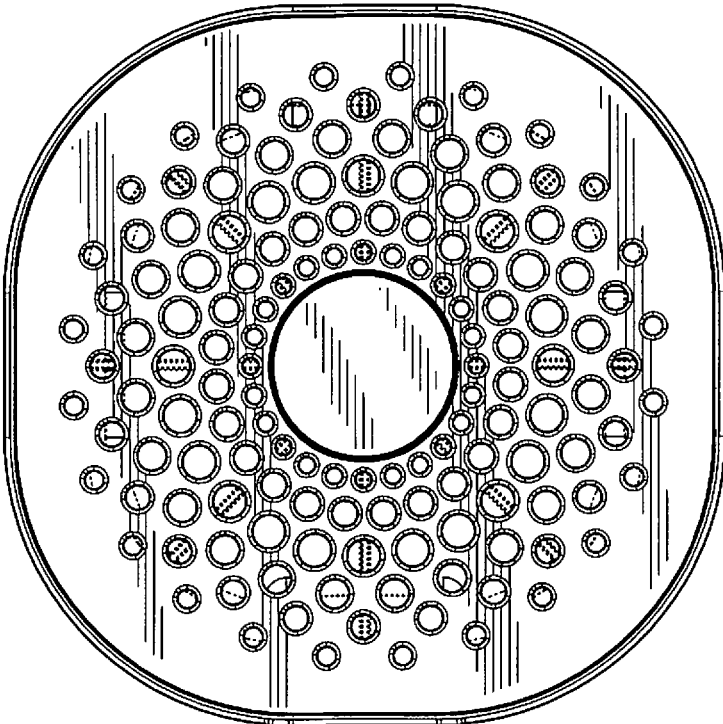


FIG. 3

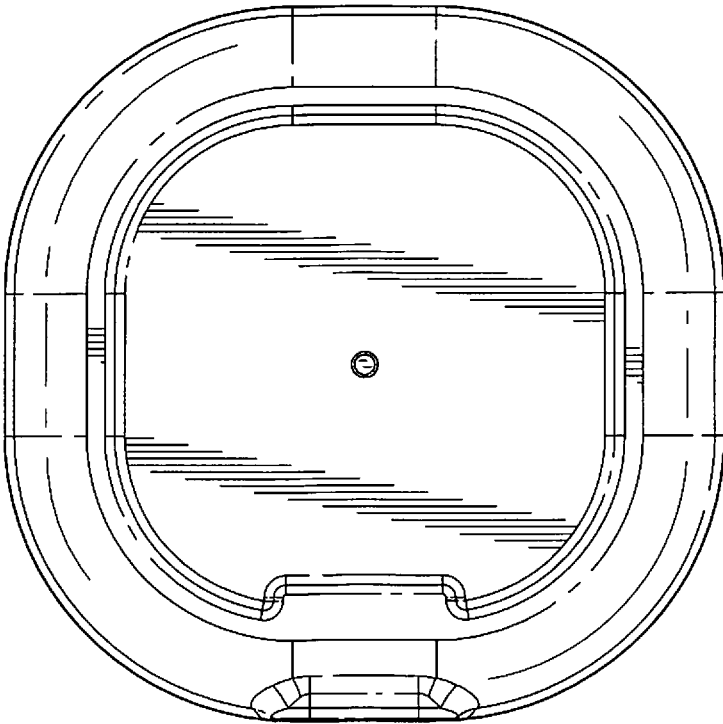


FIG. 4

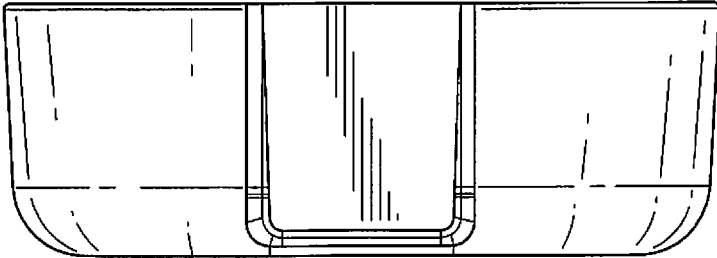


FIG. 5

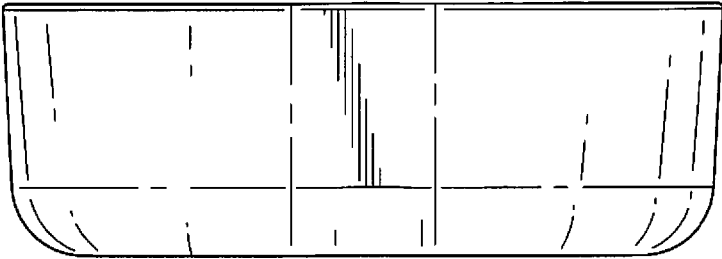


FIG. 6

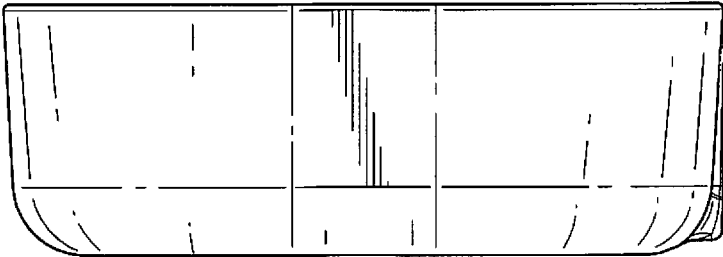


FIG. 7

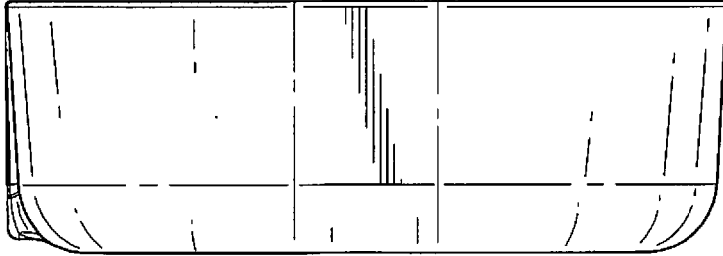


FIG. 8

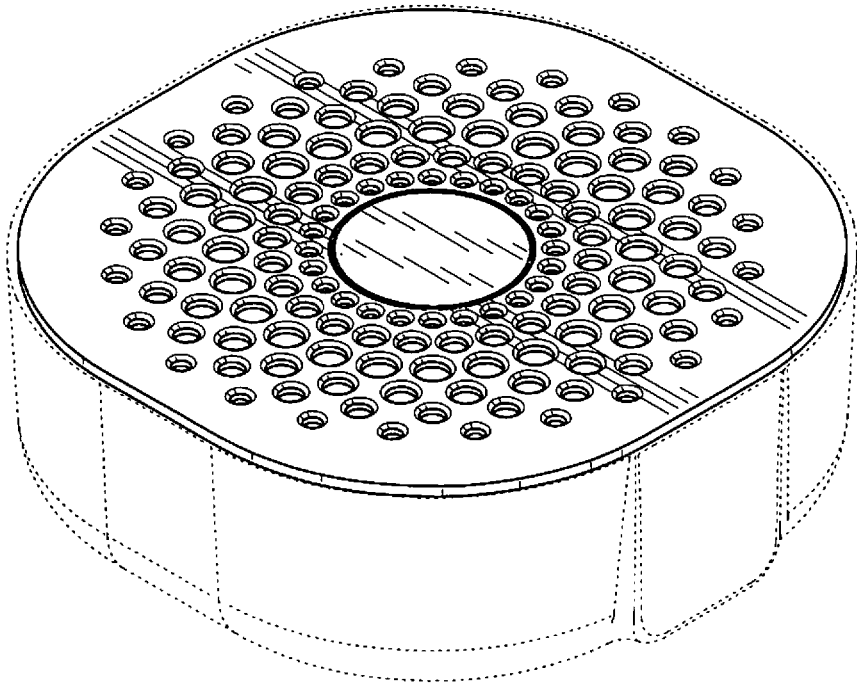


FIG. 9

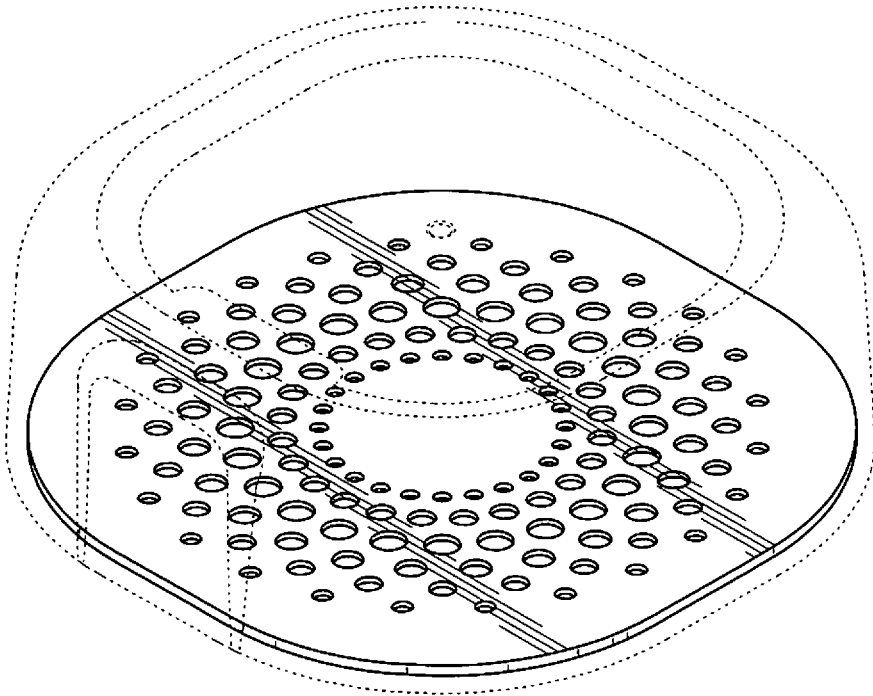


FIG. 10

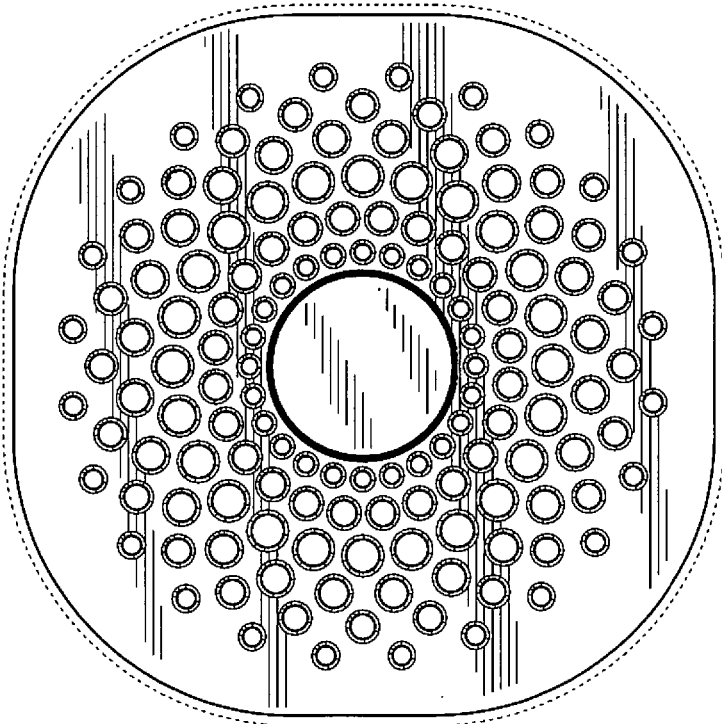


FIG. 11

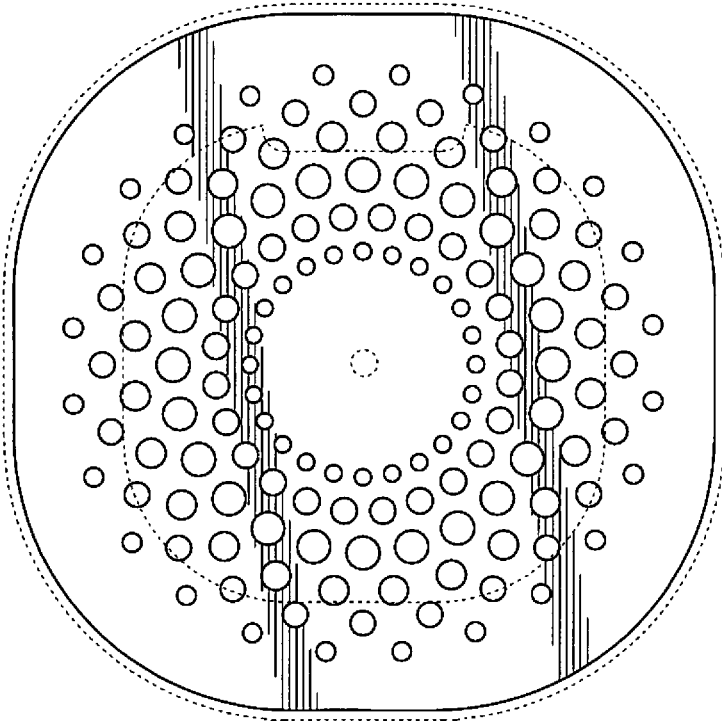


FIG. 12

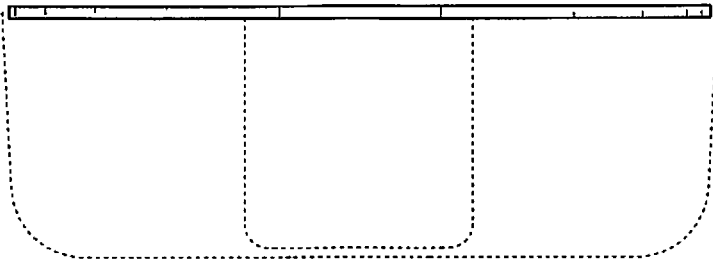


FIG. 13

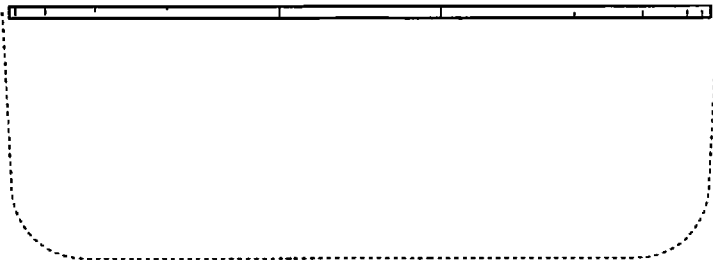


FIG. 14

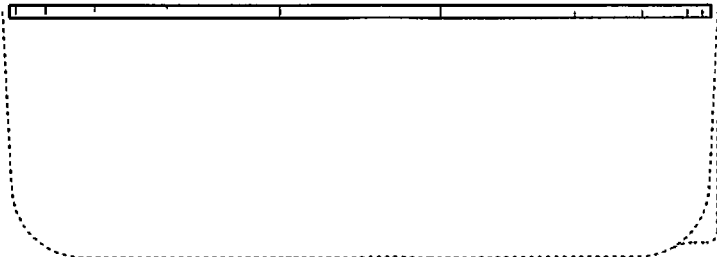


FIG. 15

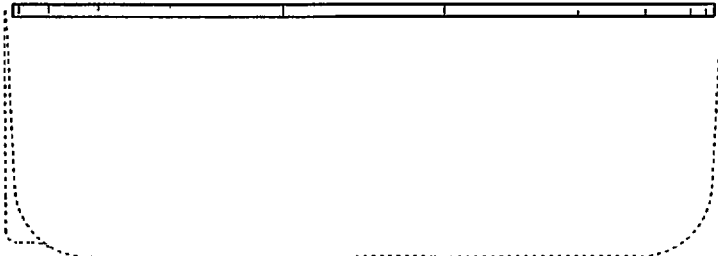


FIG. 16