



US00D808538S

(12) **United States Design Patent**
Li

(10) **Patent No.:** **US D808,538 S**

(45) **Date of Patent:** **** Jan. 23, 2018**

(54) **AMETHYST HEATING CUSHION**

(71) Applicant: **Guanghui Li**, Liaoyang (CN)

(72) Inventor: **Guanghui Li**, Liaoyang (CN)

(73) Assignee: **LIAOYANG COUNTY
DIKANGYUAN TEXTILES CO.,
LTD**, Xiaozhanglang Village, Liuerpu
Town, Liaoyang, Liaoning (CN)

(**) Term: **15 Years**

(21) Appl. No.: **29/571,040**

(22) Filed: **Jul. 14, 2016**

(51) **LOC (11) Cl.** **24-04**

(52) **U.S. Cl.**
USPC **D24/207**

(58) **Field of Classification Search**
USPC D24/190, 200, 202, 205, 206, 207, 208;
D2/701, 702, 750, 815, 880; D6/595,
D6/582, 583; 482/105, 127; 383/110,
383/901
CPC A61F 7/02; A61F 7/03; A61F 7/08; A61F
7/10; A61F 7/007; A61F 7/086; A61F
7/0097; A61F 2007/023; A61F 2007/108;
A61F 2007/0001; A61F 2007/0268; A61H
36/00; A41D 20/005; Y10S 383/901;
H05B 3/34; H05B 3/342; H05B 3/0004;
H05B 3/0019; H05B 3/0085; H05B
1/025; H05B 2203/003; H05B 2203/004;
H05B 2203/014

See application file for complete search history.

(56) **References Cited**

U.S. PATENT DOCUMENTS

D123,681 S *	11/1940	Roberts	D24/118
D126,970 S *	5/1941	Albright	D24/207
4,159,728 A *	7/1979	Kraus	A61F 7/08 383/105
D343,686 S *	1/1994	Irwin, Jr.	D24/206
D702,850 S *	4/2014	Yockel	D24/207
D713,048 S *	9/2014	Ogaki	D24/200
D757,280 S *	5/2016	Ogaki	D24/200
D759,834 S *	6/2016	Mishan	D24/206
2004/0065659 A1 *	4/2004	Tse	H05B 3/145 219/529
2015/0021313 A1 *	1/2015	Chang	H05B 3/34 219/528

* cited by examiner

Primary Examiner — Wan Laymon
Assistant Examiner — Clint A Samuel

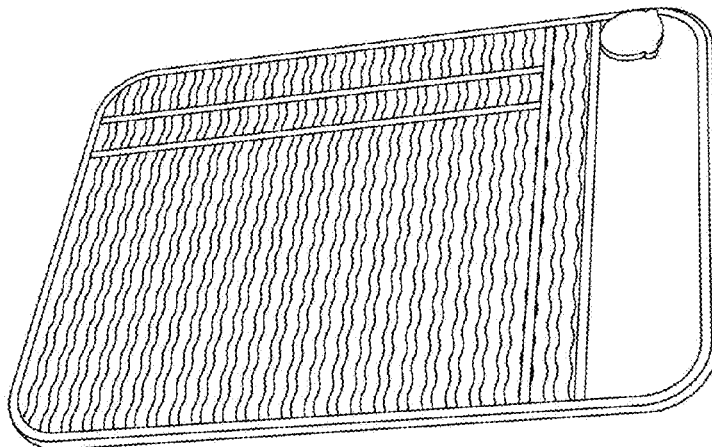
(57) **CLAIM**

The ornamental design for an amethyst heating cushion, as shown and described.

DESCRIPTION

FIG. 1 is a perspective view of an amethyst heating cushion showing my new design;
FIG. 2 is a front elevational view thereof;
FIG. 3 is a rear elevational view thereof;
FIG. 4 is a left side elevational view thereof;
FIG. 5 is a right side elevational view thereof;
FIG. 6 is a top plan view thereof; and,
FIG. 7 is bottom plan view of an amethyst heating cushion showing my new design.

1 Claim, 7 Drawing Sheets



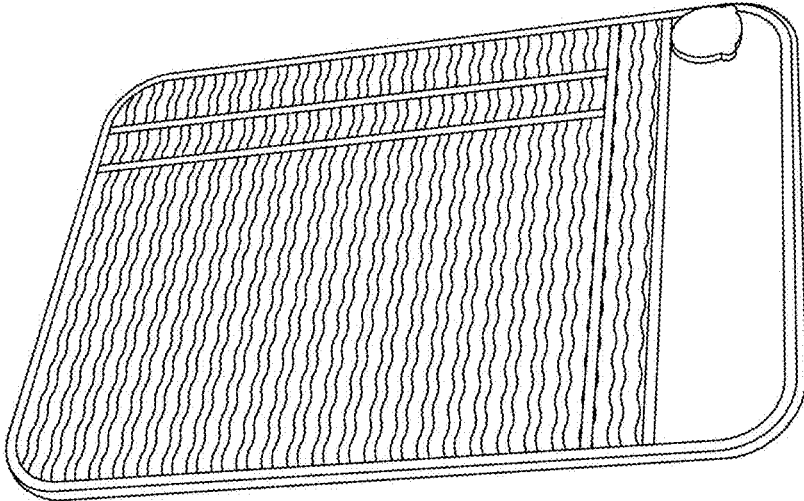


FIG.1

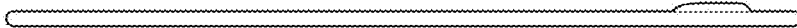


FIG.2

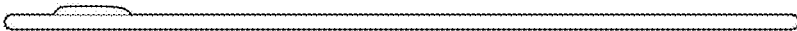


FIG.3

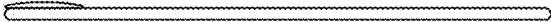


FIG.4

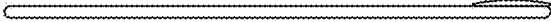


FIG.5

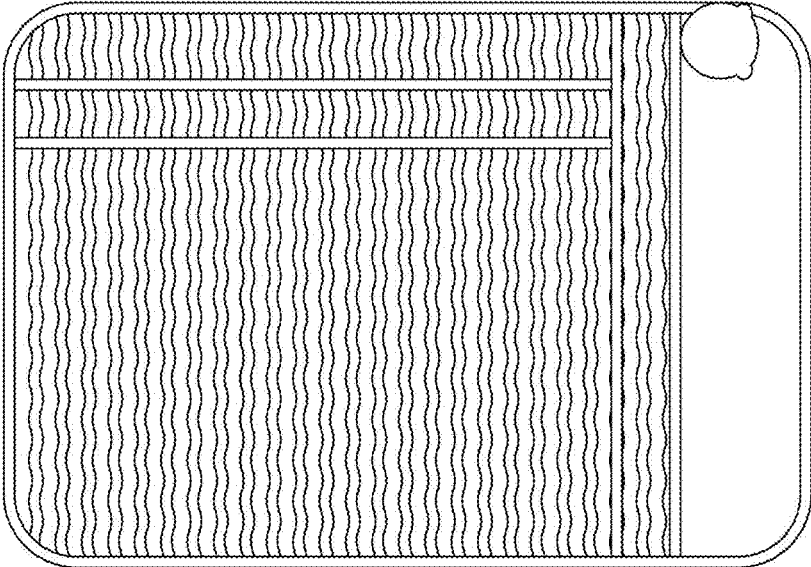


FIG.6

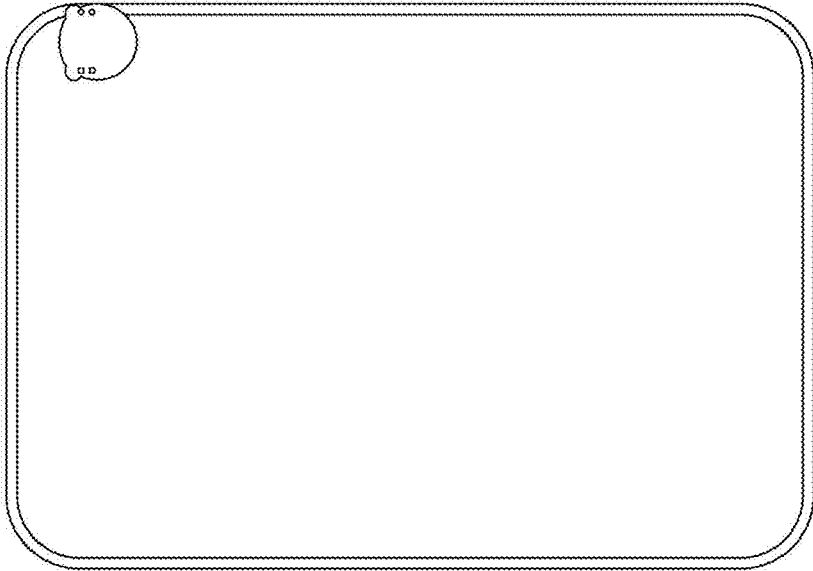


FIG.7