



US00D604223S

(12) **United States Design Patent**
Dilber

(10) **Patent No.:** **US D604,223 S**

(45) **Date of Patent:** **** Nov. 17, 2009**

(54) **WHEEL OR WHEEL COVER**

(75) Inventor: **Cengiz Dilber**, Rielingshausen (DE)

(73) Assignee: **Daimler AG**, Stuttgart (DE)

(**) Term: **14 Years**

(21) Appl. No.: **29/311,867**

(22) Filed: **Jul. 17, 2009**

(30) **Foreign Application Priority Data**

Feb. 26, 2009 (EM) 001095467-0002

(51) **LOC (9) Cl.** **12-16**

(52) **U.S. Cl.** **D12/211**

(58) **Field of Classification Search** D12/204–213;
301/37.101, 64.101, 65

See application file for complete search history.

(56) **References Cited**

U.S. PATENT DOCUMENTS

D569,776 S *	5/2008	Hieke	D12/211
D582,328 S *	12/2008	Hieke	D12/209
D582,330 S *	12/2008	Hieke	D12/209
D582,830 S *	12/2008	Musser	D12/211
D583,741 S *	12/2008	Huet	D12/211

D584,210 S *	1/2009	Baum	D12/211
D585,010 S *	1/2009	Pollmann	D12/211
D585,352 S *	1/2009	Scheu	D12/211
D587,179 S *	2/2009	Pfeiffer	D12/209
D589,863 S *	4/2009	Huet	D12/209
D591,217 S *	4/2009	Klein	D12/209
D595,631 S *	7/2009	Musser	D12/211
D596,100 S *	7/2009	Aroney	D12/211

* cited by examiner

Primary Examiner—Caron Veynar

Assistant Examiner—Katrina A Kile

(74) *Attorney, Agent, or Firm*—Crowell & Moring LLP

(57) **CLAIM**

The ornamental design for a wheel or wheel cover, as shown and described.

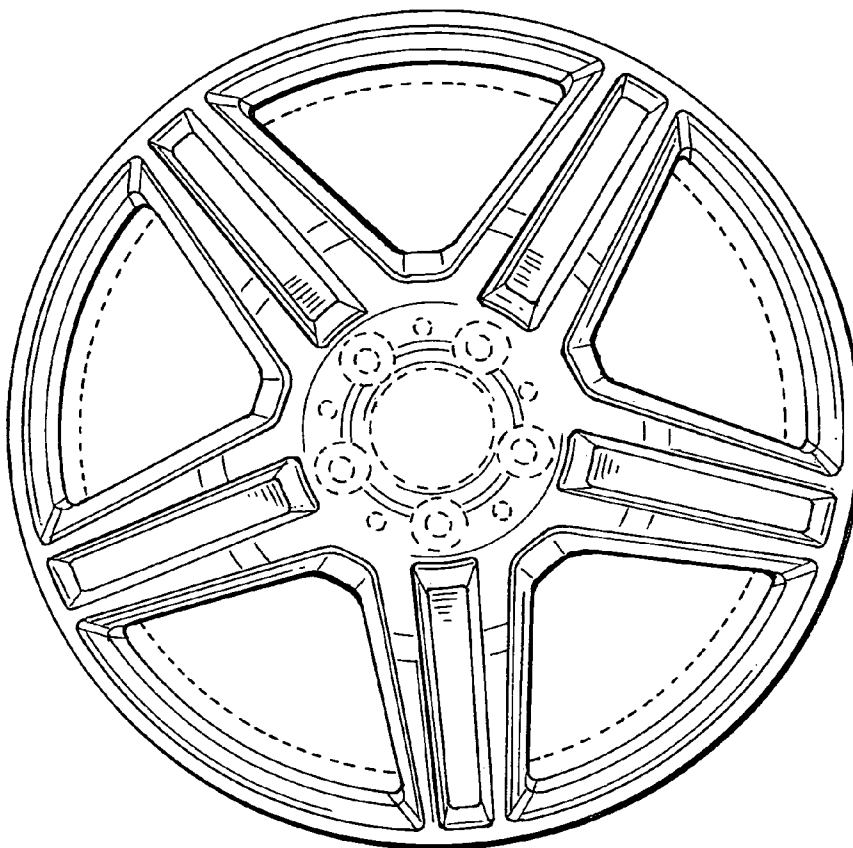
DESCRIPTION

FIG. 1 is a front view of a wheel or wheel cover according to my design; and,

FIG. 2 is a perspective view thereof.

The broken line showing of the rear portion of the wheel rim and the central hub area is included for the purpose of illustrating environment and form no part of the claimed design.

1 Claim, 1 Drawing Sheet



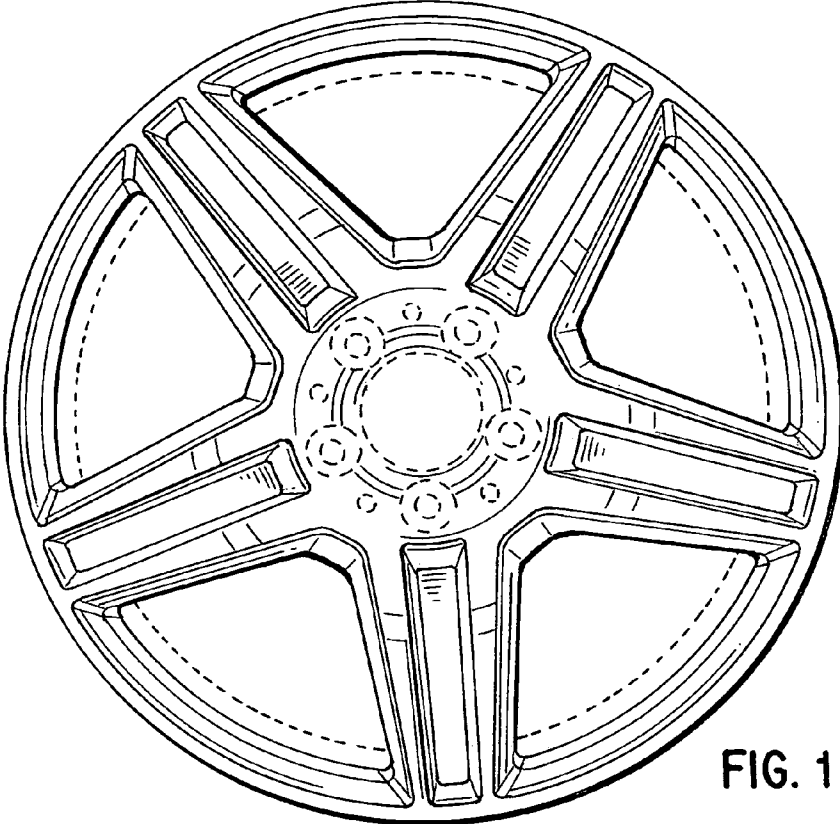


FIG. 1

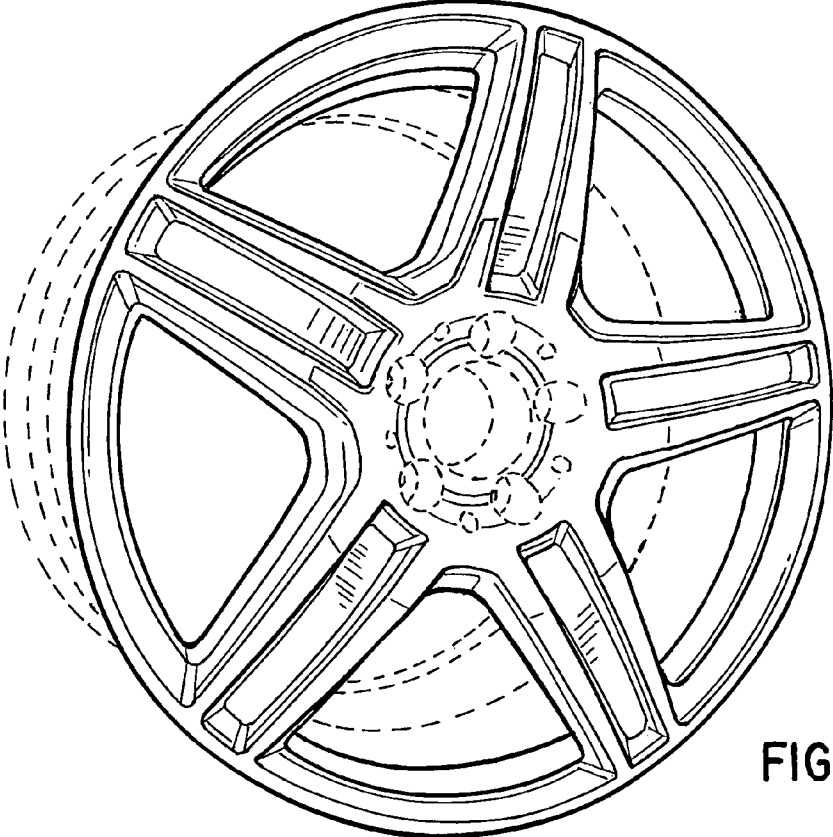


FIG. 2