

US00D383225S

United States Patent [19]

[11] Patent Number: Des. 383,225

Wolfard et al.

[45] Date of Patent: **Sep. 2, 1997

[54] BASE FOR AN OIL LAMP

D. 184,210 1/1959 Berabo D7/624
3,257,092 6/1966 Blundell D7/624

[75] Inventors: **Linda M. Wolfard**, Santa Rosa; **Jean Tuck McGregor**, West Covina; **Steven Dyer**, Petaluma, all of Calif.

Primary Examiner—A. Hugo Word
Assistant Examiner—Robin V. Taylor
Attorney, Agent, or Firm—Donald L. Beesom

[73] Assignee: **Wolfard Glassblowing Company**, Santa Rosa, Calif.

[57] CLAIM

[**] Term: **14 Years**

The ornamental design for a base for an oil lamp, as shown and described.

[21] Appl. No.: **25,687**

DESCRIPTION

[22] Filed: **Jul. 8, 1994**

FIG. 1 is a perspective view of a base for an oil lamp in accordance with our new design;

[51] LOC (6) Cl. **26-01**

[52] U.S. Cl. **D26/23**

FIG. 2 is a front elevational view thereof on an enlarged scale, the sides and rear being identical thereto;

[58] **Field of Search** D26/9-13, 20-22;
431/290-2, 296-7, 299; 362/161-3; 248/346.1;
D7/624; D27/102, 109

FIG. 3 is a top plan view thereof on an enlarged scale; and,
FIG. 4 is a bottom plan view thereof on an enlarged scale.

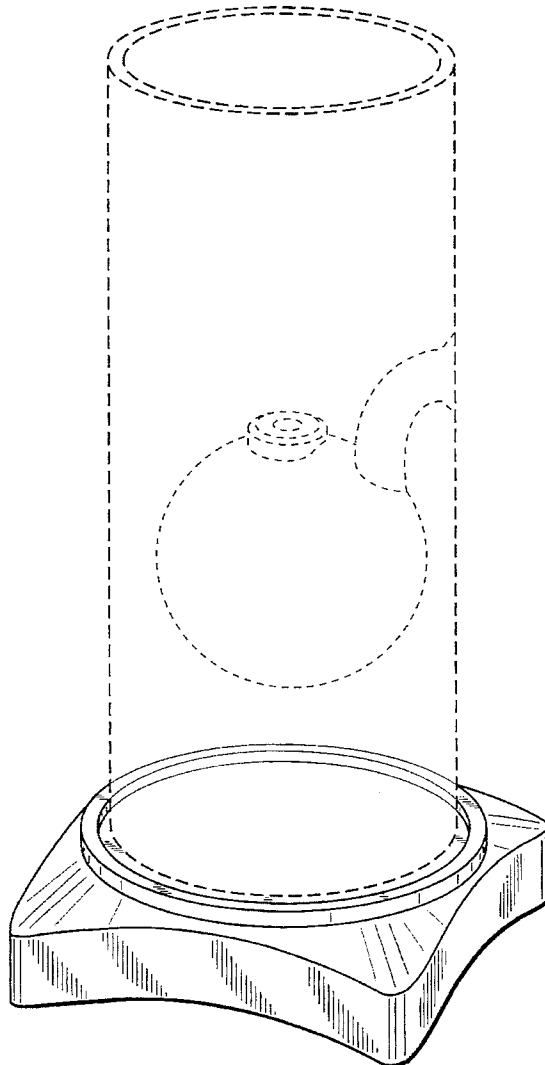
The broken line showing of a glass oil lamp is for illustrative purposes only and forms no part of the claimed design.

[56] References Cited

U.S. PATENT DOCUMENTS

D. 130,307 11/1941 Harris D7/624

1 Claim, 3 Drawing Sheets



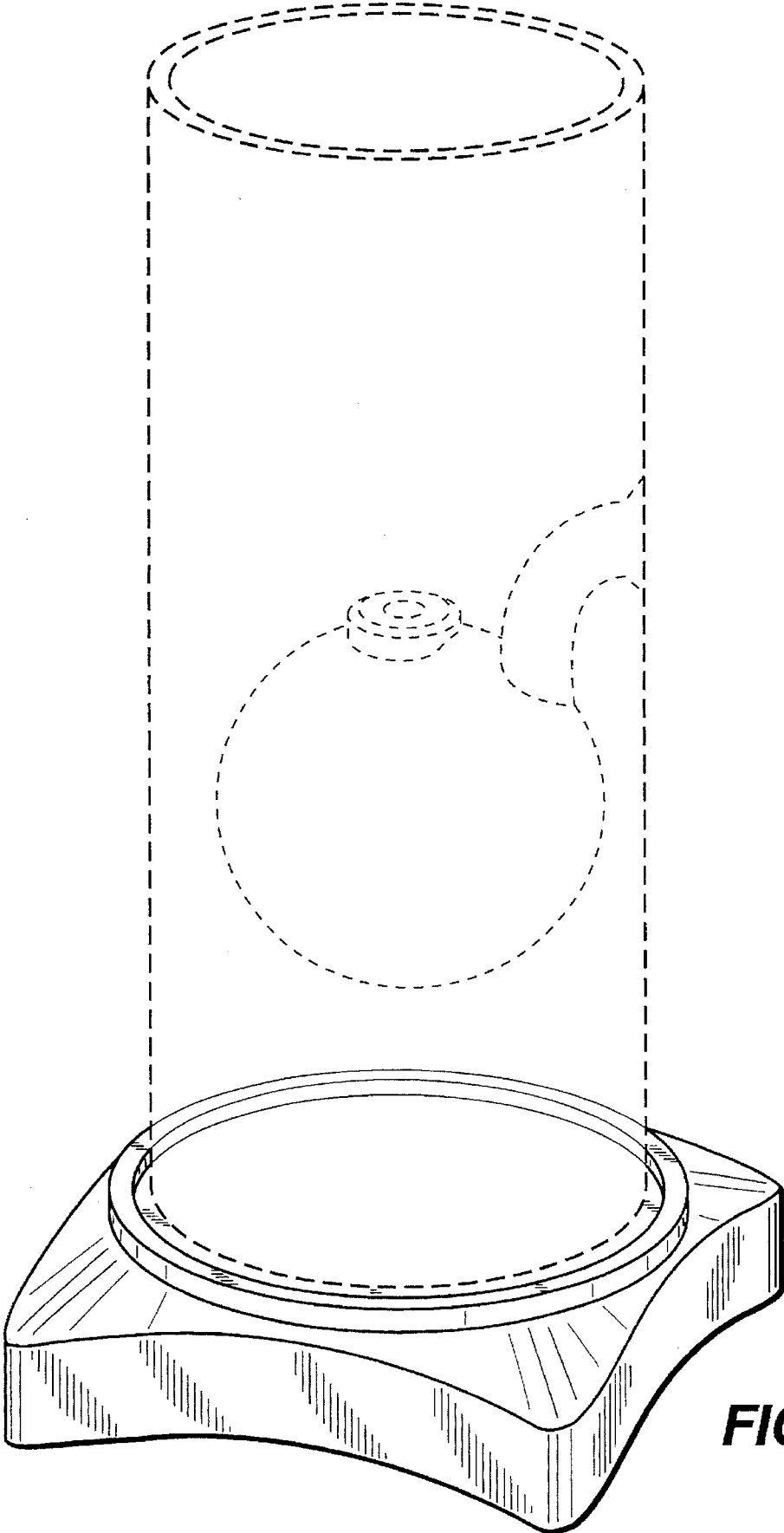


FIG. 1

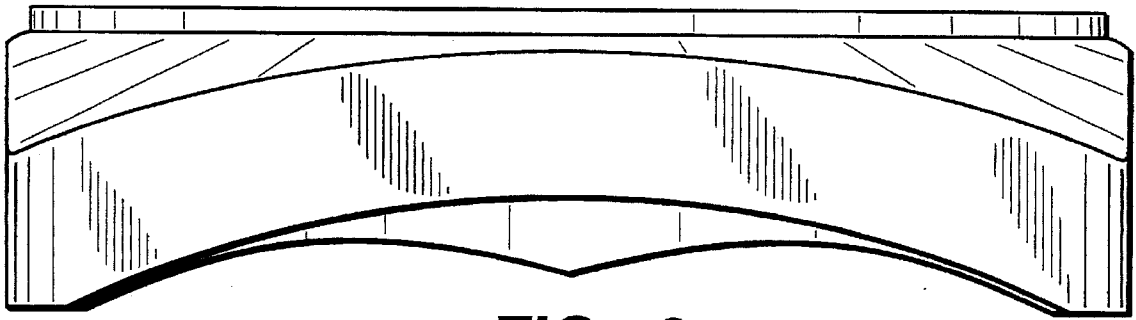


FIG._2

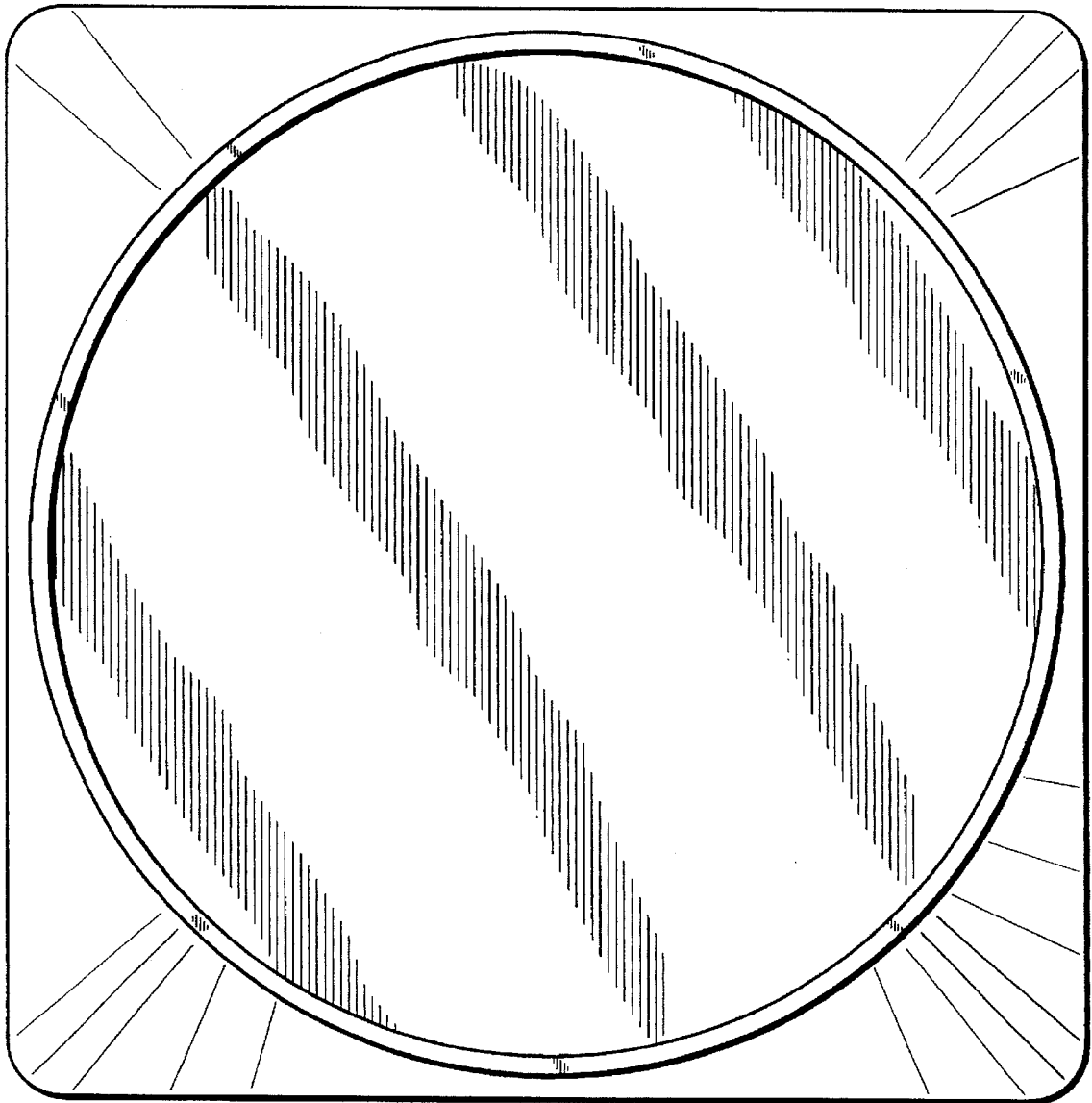


FIG._3

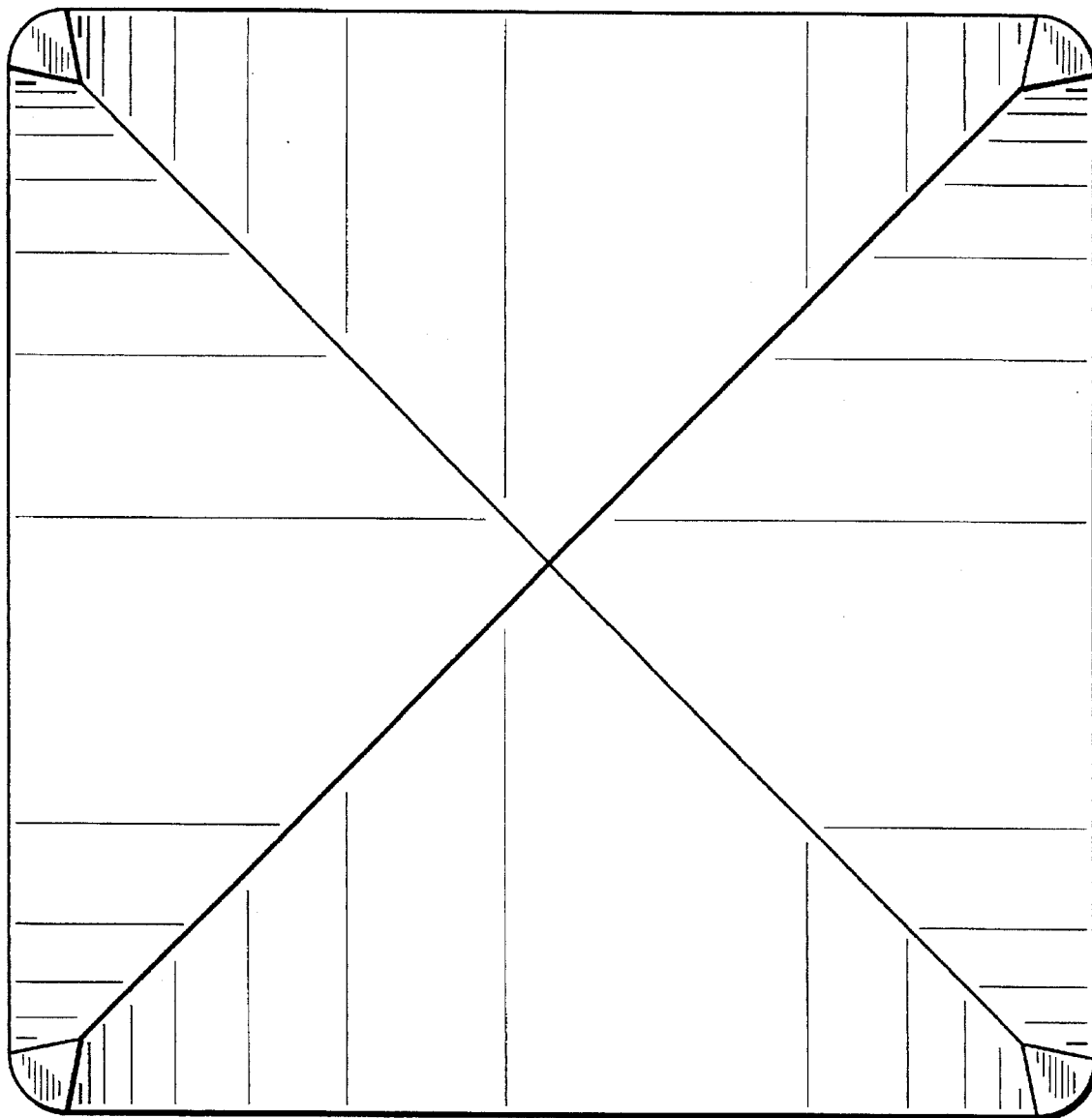


FIG. 4